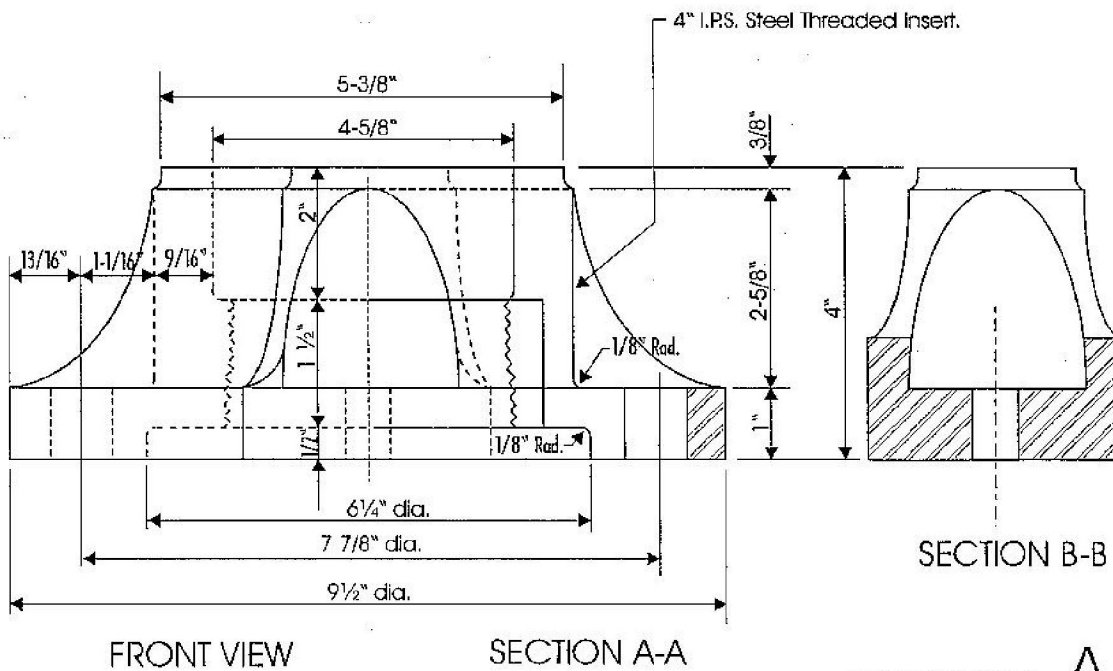
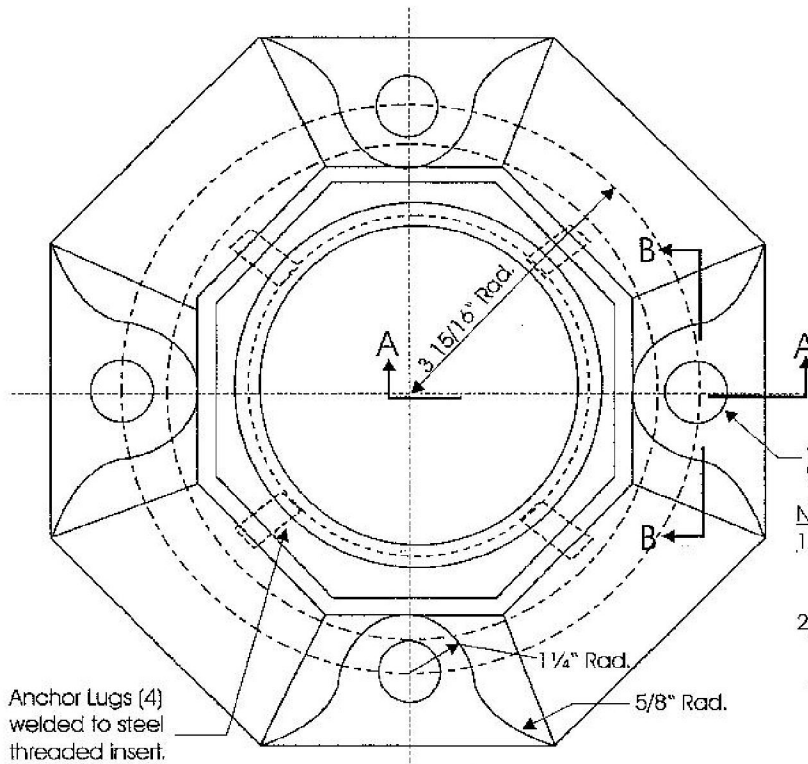


COLUMN BASE for Standard Traffic Signal Post



3-11-97

NOT TO SCALE **A 16**