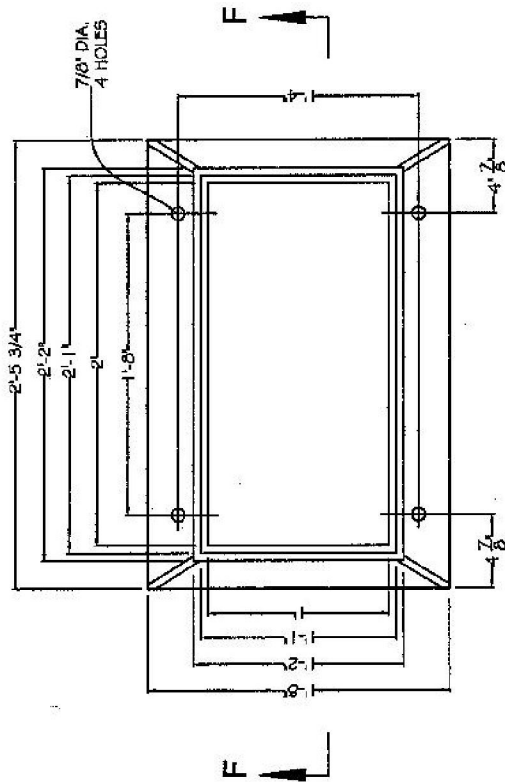


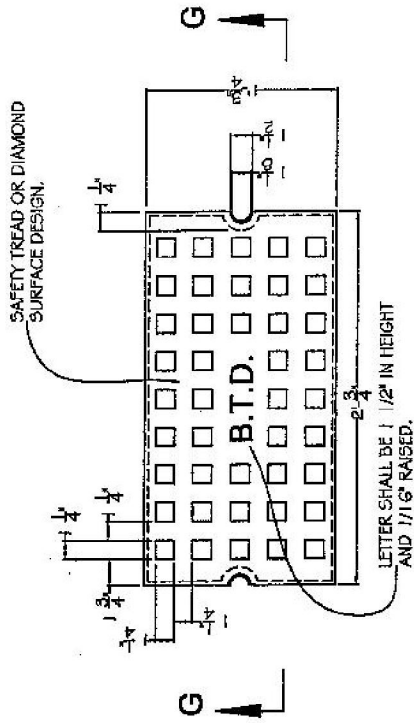
Revised 1-4-00

12" X 24" CAST IRON HANDHOLE FRAME & CAST IRON COVER

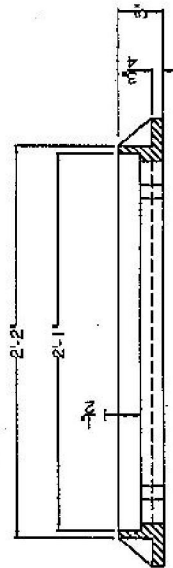
Scale: 1"=1'-0"



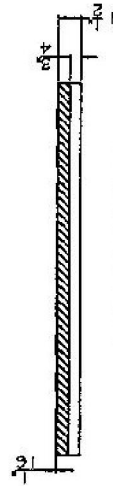
FRAME PLAN



COVER PLAN



SECTION F-F



SECTION G-G

A 8.1