

# The Embrace Boston

A large, leafy tree in a park setting, with a person walking a dog and a person riding a bicycle in the foreground. The scene is bright and sunny, with shadows cast on the ground. In the background, there are other trees and a building.

**Landmarks Submission for  
signage elements and founder  
recognition**

September 6, 2022



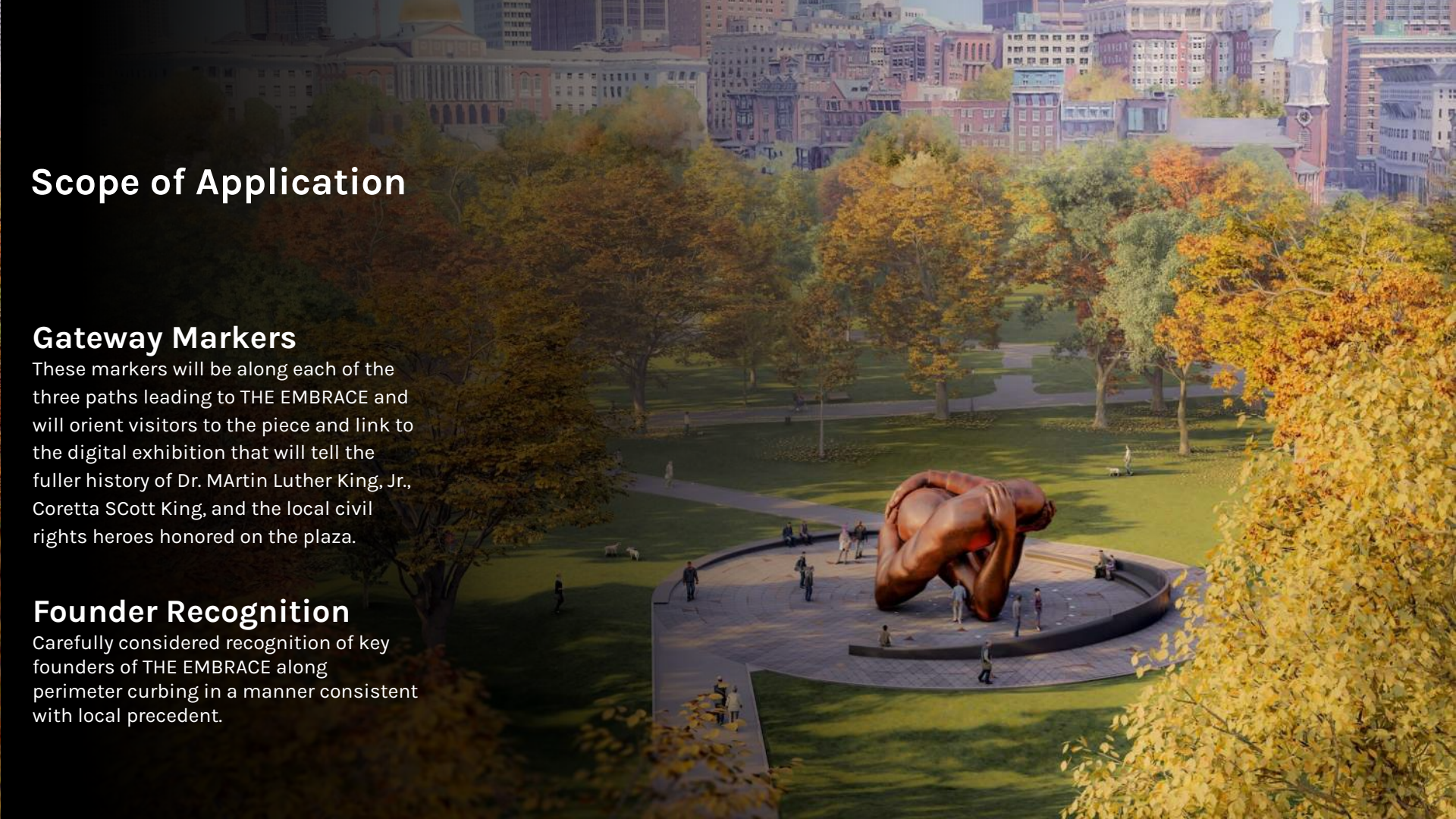
## Scope of Application

### Gateway Markers

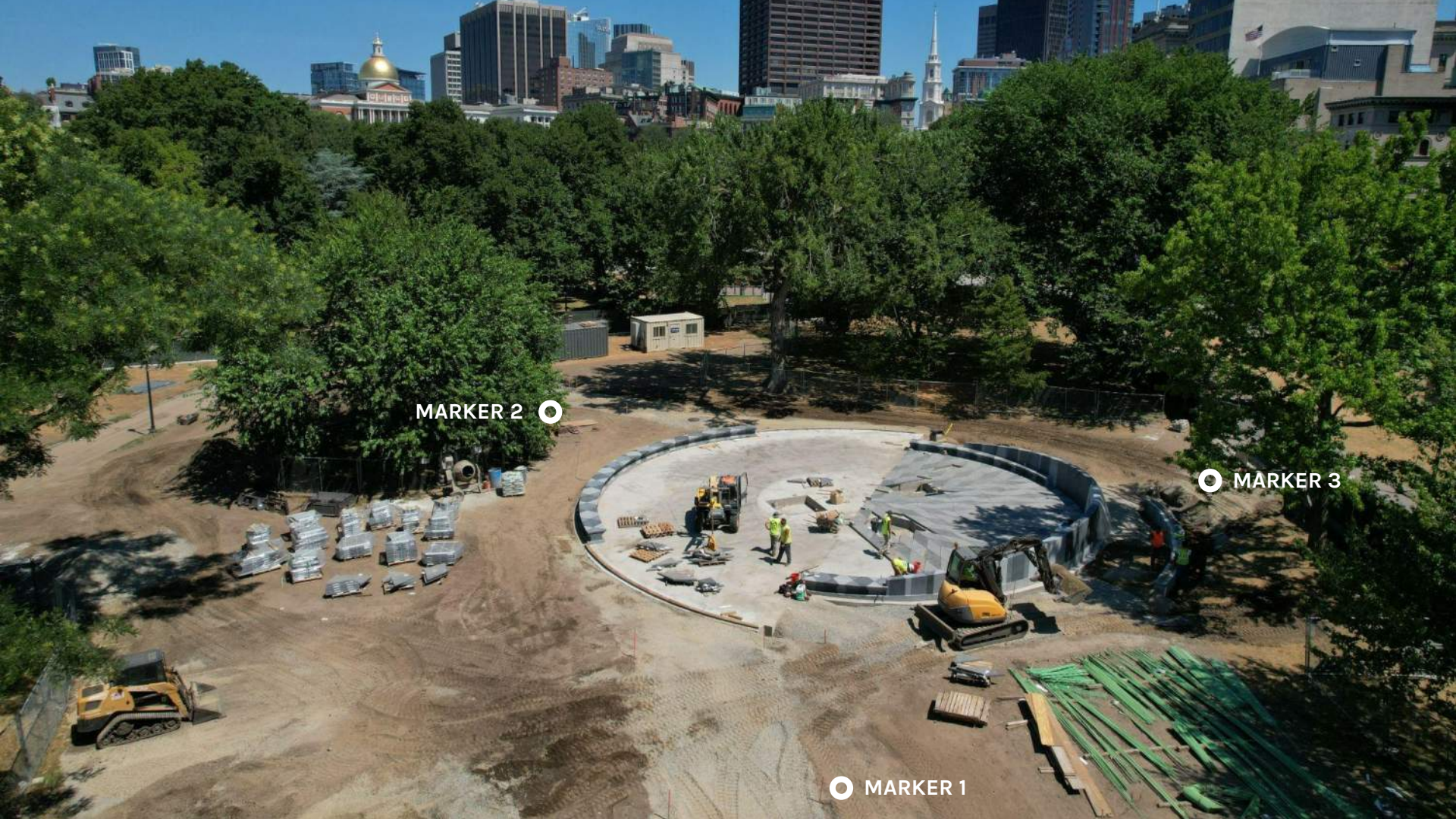
These markers will be along each of the three paths leading to THE EMBRACE and will orient visitors to the piece and link to the digital exhibition that will tell the fuller history of Dr. MARTIN Luther King, Jr., Coretta SCOTT King, and the local civil rights heroes honored on the plaza.

### Founder Recognition

Carefully considered recognition of key founders of THE EMBRACE along perimeter curbing in a manner consistent with local precedent.







MARKER 2 ○

○ MARKER 3

○ MARKER 1



# Locations

Three locations at approximate midpoints to the three pathways. The longer two of these are 12-15 seconds walking from the edge of the plaza. These location are opposite or near existing lighting.

MARKER 1

MARKER 2

MARKER 3

Mayors Walk

Railroad Mall

Visitors Center

# Precedent

This type of signage is instantly recognizable by most people and will be comfortable for a large audience. This signage is relatively mute and does not partake in the language or material of the plaza.

Further. This signage can be easily removed or altered without impacting the stone of the paths or the plaza.



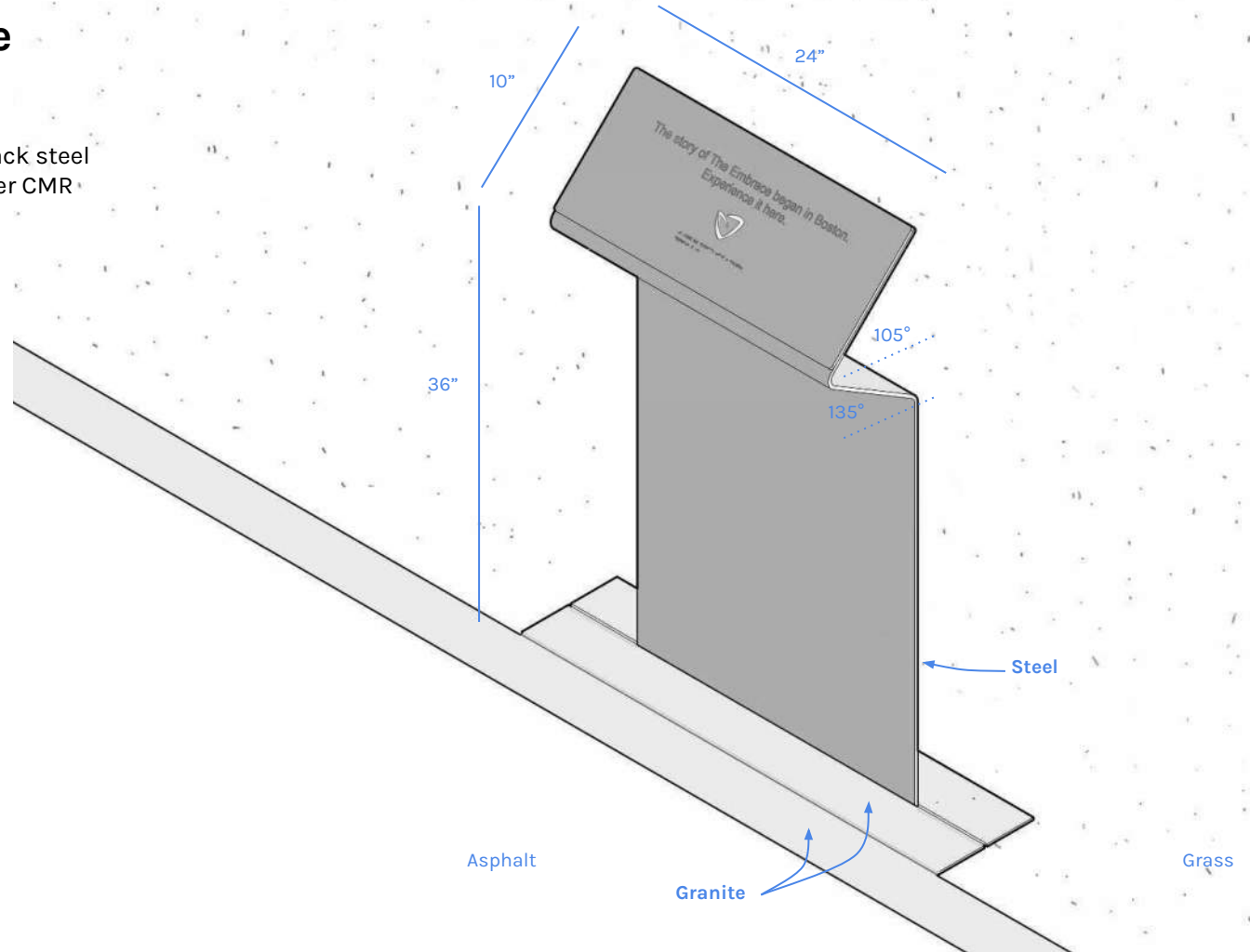
# Color/Materiality

The signs will be located adjacent to existing lamp posts. Black signs will relate them to this existing park infrastructure and differentiate this functionalist signage from the honorific text within the plaza



# Black Steel Plaque

- Stainless or light lettering
- Black base of 1/4" thick steel
- Sign surface 10"x 24"x1/4" black steel
- QR code at 37" above grade per CMR



# Black Steel Plaque Marker 1





# Black Steel Plaque Marker 2



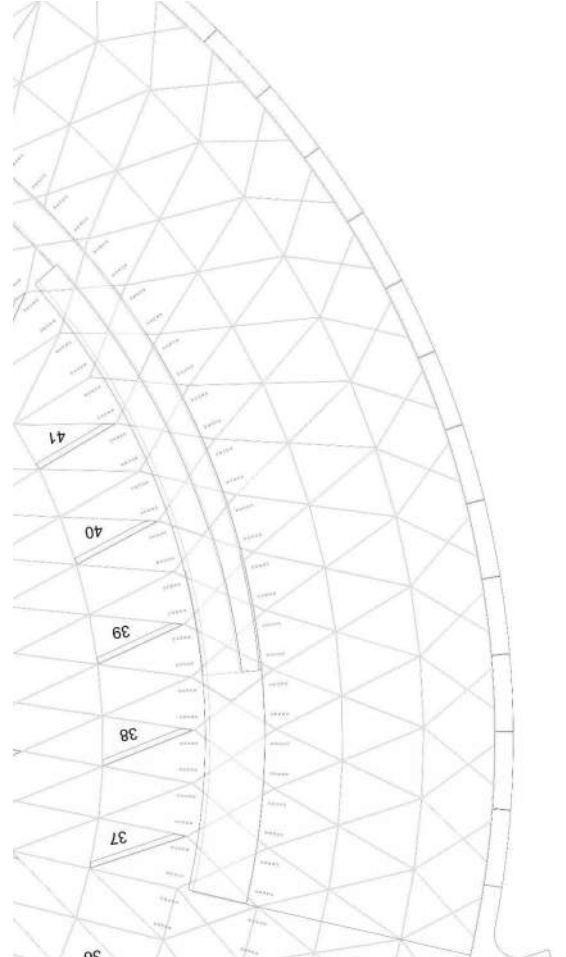


# Black Steel Plaque Marker 3



# Founders Recognition





# Perimeter Stone



Precedent  
Brewer Fountain, Boston Common  
Stone: 48" x 18"  
Engraving: 1 inch cap height



Embrace Plaza Founders Stone  
Stone: Granite, 40" x 9.5"  
Engraving: 1 inch cap height  
Typeface: Franklin Gothic URW



# Perimeter Stone



1.00"

Embrace Plaza Founders Stone  
Stone: Granite, 40" x 9.5"  
Engraving: 1 inch cap height  
Typeface: Franklin Gothic URW

## FOUNDER NAMES

Reverend Jeffrey L. Brown  
Paul English  
Mr. Demond and Dr. Kia Martin  
Reverend Liz Walker  
King Boston  
The Boston Foundation

