



July 8, 2022

This is to verify that the DCR is working with the Esplanade Association on the improvements to the Stoneman Playground. We have been fully involved with the design of the project. The RDA, as well as other permitting needs for this project, have gone through our DCR Green Docket Process and been fully approved. DCR will continue to be involved with the purchase and installation as well as the maintenance of this area.

Sincerely,

Sandra P. Libby, M.Ed., CPSI
Playground Planner, Design and Project Management
Division of Design and Engineering
Department of Conservation and Recreation
sandra.libby@mass.gov
Cell: 978-407-6307



Making life better on the Esplanade.

July 8, 2022

Boston Conservation Commission
Boston City Hall
1 City Hall Square, Room 709
Boston, MA 02201

Re: Request for Determination of Applicability for Playground Equipment Installation Project

Dear Conservation Commission:

On behalf of the Esplanade Association, I am pleased to submit this updated Request for Determination of Applicability for permission to add new equipment to the existing Miriam & Sidney Stoneman Playground on the Charles River Esplanade. The project area is within the 100-foot Buffer Zone of the Charles River, with much of the proposed work occurring within the 50-foot Waterfront Area, but with no work occurring within the 25-foot Riverfront Area.

The Esplanade Association, in partnership with the Massachusetts Department of Conservation & Recreation, hopes to install new equipment that will fill physical gaps within the fenced-in play area, while also filling gaps in the types of play provided for visitors. The project would bring the first spinning pieces of equipment to Stoneman Playground, an activity which improves coordination and balance for children at all levels of ability. The project would also install a new-and-improved sculpture by renowned local artist Mitch Ryerson. The sculpture will use pieces salvaged from the playground's original tree sculpture, which was removed due to decay in 2021.

These new pieces of equipment would add value to the play experience and would bring more universally-accessible equipment to this beloved playground. All equipment being proposed was designed, selected, and approved in collaboration with DCR via a 2022 DCR Partnership Matching Grant. This equipment installation would continue our longstanding, successful partnership on the Esplanade with DCR, which began over 20 years ago with the original design and installation of this very playground.

The project will also seek to obtain permission from the Boston Landmarks Commission, and will notify the Massachusetts Historical Commission. The work would be completed by a DCR-approved contractor that has previously done playground projects on the Esplanade, and other DCR properties, within the compliance requirements of the Commission.

We look forward to sharing more about this exciting project with you. Please don't hesitate to reach me via phone or email, below, with any questions or to schedule a site visit.

Cheers,

Alison Badrigian
Director of Projects & Planning



617.532.0949
abadrigian@esplanade.org

CC: DCR, Priscilla Geigis, Patrice Kish, Jennifer Norwood, Sandy Libby

Request for Determination of Applicability

Installation of Additional Equipment at the Miriam & Sidney Stoneman Playground on the Charles River Esplanade

Table of Contents

- 🌿 WPA Form 1 – Request for Determination of Applicability (RDA)
- 🌿 Figure 1 – Continuation of Work Description Narrative
- 🌿 Figure 2 – USGS Locus Map
- 🌿 Figure 3 – FEMA Flood Plain / BLSF Map
- 🌿 Figure 4 – Supporting Details & Imagery
- 🌿 Figure 5 – Playground Installation Plan
- 🌿 Figure 6 – Existing Conditions Photos
- 🌿 Figure 7 – Existing Conditions Plan
- 🌿 Figure 8 – Installation Instructions

Appendix: Abutter Notifications

- Affidavit of Service
- Notice to Abutters (English and Spanish)
- Babel Notice
- List of Abutters



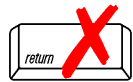
WPA Form 1- Request for Determination of Applicability

Massachusetts Wetlands Protection Act M.G.L. c. 131, §40

A. General Information

Important:

When filling out forms on the computer, use only the tab key to move your cursor - do not use the return key.



1. Applicant:

Esplanade Association / Alison Badrigian		abadrigian@esplanade.org	
Name		E-Mail Address	
575 Boylston Street, Suite 4R			
Mailing Address			
Boston	MA	20116	
City/Town	State	Zip Code	
617-532-0949	Fax Number (if applicable)		
Phone Number			

2. Representative (if any):

Firm			
Contact Name	E-Mail Address		
Mailing Address			
City/Town	State	Zip Code	
Phone Number	Fax Number (if applicable)		

B. Determinations

1. I request the Boston Conservation Commission make the following determination(s). Check any that apply:

- a. whether the **area** depicted on plan(s) and/or map(s) referenced below is an area subject to jurisdiction of the Wetlands Protection Act.
- b. whether the **boundaries** of resource area(s) depicted on plan(s) and/or map(s) referenced below are accurately delineated.
- c. whether the **work** depicted on plan(s) referenced below is subject to the Wetlands Protection Act.
- d. whether the area and/or work depicted on plan(s) referenced below is subject to the jurisdiction of any **municipal wetlands ordinance** or **bylaw** of:

Boston
Name of Municipality

- e. whether the following **scope of alternatives** is adequate for work in the Riverfront Area as depicted on referenced plan(s).



WPA Form 1- Request for Determination of Applicability

Massachusetts Wetlands Protection Act M.G.L. c. 131, §40

C. Project Description

1. a. Project Location (use maps and plans to identify the location of the area subject to this request):

Charles River Esplanade, Dr. Paul Dudley White Bike Path	Boston
_____	City/Town
_____	0503747000
Assessors Map/Plat Number	Parcel/Lot Number

- b. Area Description (use additional paper, if necessary):

The project site is located on the Charles River Esplanade, a 64-acre parcel of the DCR Charles River Reservation. The 0.4-acre Miriam & Sidney Stoneman Playground is located on the Esplanade between Hereford and Gloucester streets. The project area (Stoneman Playground) lies within the 100ft Buffer Zone of the Charles River, with some proposed work occurring in the 50ft Waterfront Area, but no proposed work occurring in the 25ft Riverfront Area.

- c. Plan and/or Map Reference(s):

USGS Locus Map	September 2016
Title	Date
FEMA Flood Map 25025C0077J	March 2016
Title	Date
Playground Installation Plan (drawing # 1156195-01-06)	June 2022
Title	Date

2. a. Work Description (use additional paper and/or provide plan(s) of work, if necessary):

The Applicant seeks a negative determination for the work, which consists of installing a small amount of new play equipment within the existing playground footprint in order to provide new, accessible play opportunities for families and caregivers. The equipment, designed and approved in collaboration with DCR via a DCR Partnership Matching Grant, fills physical gaps in the playground footprint and fills gaps in the types of play available at Stoneman Playground. The proposed new equipment includes

- (2) spinning pieces with concrete footers
- (6) stepping pods with small concrete footers
- (3) musical instrument pieces with small concrete footers
- (1) musical sculpture with sunk posts and stump seating

The installation of these pieces is expected to take 1-2 weeks to complete. Fencing and coir logs will be used during construction to prevent sediment from entering the Charles River. Spill containment materials will be on site in the event of a material spill. All tools used with concrete will be cleaned off-site. Material laydown will occur only within the boundaries of the playground, on top of the playground surfacing. Any grass areas disturbed by equipment or vehicles will be re-graded and/or re-seeded upon project completion. Any excess soil will be removed from the project site. Drainage and/or stormwater management systems will not be added, altered or disturbed by the project. Please see attachment for additional details.



WPA Form 1- Request for Determination of Applicability

Massachusetts Wetlands Protection Act M.G.L. c. 131, §40

C. Project Description (cont.)

b. Identify provisions of the Wetlands Protection Act or regulations which may exempt the applicant from having to file a Notice of Intent for all or part of the described work (use additional paper, if necessary).

3. a. If this application is a Request for Determination of Scope of Alternatives for work in the Riverfront Area, indicate the one classification below that best describes the project.

- Single family house on a lot recorded on or before 8/1/96
- Single family house on a lot recorded after 8/1/96
- Expansion of an existing structure on a lot recorded after 8/1/96
- Project, other than a single family house or public project, where the applicant owned the lot before 8/7/96
- New agriculture or aquaculture project
- Public project where funds were appropriated prior to 8/7/96
- Project on a lot shown on an approved, definitive subdivision plan where there is a recorded deed restriction limiting total alteration of the Riverfront Area for the entire subdivision
- Residential subdivision; institutional, industrial, or commercial project
- Municipal project
- District, county, state, or federal government project
- Project required to evaluate off-site alternatives in more than one municipality in an Environmental Impact Report under MEPA or in an alternatives analysis pursuant to an application for a 404 permit from the U.S. Army Corps of Engineers or 401 Water Quality Certification from the Department of Environmental Protection.

b. Provide evidence (e.g., record of date subdivision lot was recorded) supporting the classification above (use additional paper and/or attach appropriate documents, if necessary.)

N/A



WPA Form 1- Request for Determination of Applicability

Massachusetts Wetlands Protection Act M.G.L. c. 131, §40

D. Signatures and Submittal Requirements

I hereby certify under the penalties of perjury that the foregoing Request for Determination of Applicability and accompanying plans, documents, and supporting data are true and complete to the best of my knowledge.

I further certify that the property owner, if different from the applicant, and the appropriate DEP Regional Office were sent a complete copy of this Request (including all appropriate documentation) simultaneously with the submittal of this Request to the Conservation Commission.

Failure by the applicant to send copies in a timely manner may result in dismissal of the Request for Determination of Applicability.

Name and address of the property owner:

Priscilla Geigis, Deputy Commissioner, DCR	
Name	
251 Causeway Street, Suite 600	
Mailing Address	
Boston	
City/Town	
MA	02214
State	Zip Code

Signatures:

I also understand that notification of this Request will be placed in a local newspaper at my expense in accordance with Section 10.05(3)(b)(1) of the Wetlands Protection Act regulations.

Signature of Applicant

Date

Signature of Representative (if any)

Date

Figure 1

Continuation of Work Description Narrative

The proposed project would install several new, small pieces of equipment, with all work occurring within the 100-foot Buffer Zone, and some of the work occurring within the 50-foot Waterfront Area. No work would occur within the 25-foot Riverfront Area. The proposed project would see the installation of eleven (11) small concrete footers to secure new play equipment, with the footers ranging in size from 12"x20" to 36"x36". Please see attached Figure 4, Supporting Details and Imagery, for information on each installation environment in relation to the 50-foot Waterfront Area.

Prior to construction, fencing and coir rolls will be placed along the riverside of the playground's existing fence to a point at least 10 feet past the limit of work. Tree protection in the form of staked snow fencing would be installed around tree driplines within the limit of work. These protections would remain in place until the project is completed and any disturbed soil or turf areas have been restored.

Postholes for the new equipment would be dug by hand to minimize the need for heavy machinery on site. We expect to excavate approximately 2.75 cubic yards of soil. There would be no stockpiling of excavated soil on site. Excavated soil would be immediately removed from site by contractors to be properly disposed of elsewhere.

All packaging and wrapping from the new equipment will be disposed of off-site. The new equipment will be added to DCR's equipment database to facilitate maintenance

recordkeeping. Maintenance for playground equipment will continue to be coordinated by the Esplanade Association, in partnership with DCR. Equipment will undergo regular inspection to ensure that good condition is maintained. Any needed repairs would be completed either by DCR playground specialists or certified playground specialists for-hire.

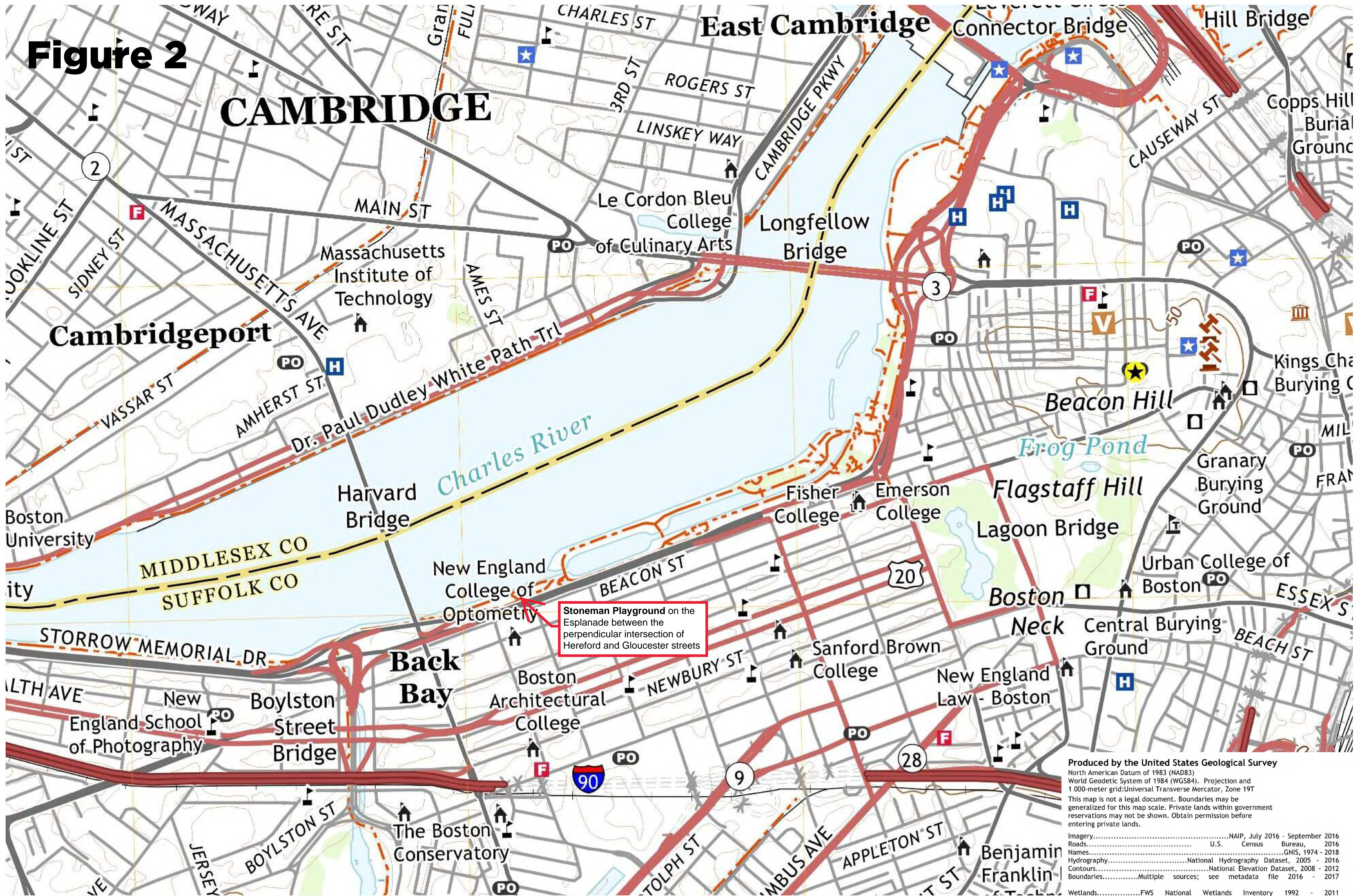
Though the project work is occurring within the Buffer Zone, the project is extremely limited in scope and is not expected to have adverse impacts of the type described in the Ordinance, either immediately, as a consequence of construction, over time, or as a consequence of daily operation/existence.

Climate change is unlikely to have a major impact on this installation, considering the small scale of the project. While a small portion of the project is within an area with 0.2% annual chance flood (see Figure 3, attached), the Charles River Dam protects against stormwater flooding and sea level rise. The installation is not expected to make the area more susceptible to extreme precipitation events or changing precipitation patterns. The playground footprint is already a part of the environment, and its surfacing is permeable wood fiber throughout. The total amount of wood fiber that would be excavated and replaced with new concrete footers for the proposed equipment is equal to less than 2.75 cubic yards. As a benefit, the shade that will be provided by the new Mitch Ryerson sculpture will help provide shelter during heat wave events. Considering the small scale of the installation within the existing play footprint, the projects seeks a negative Determination of Applicability.

With the Charles River Esplanade being greater than 50 acres in size, Abutter Notices are being sent only to abutters within 300' of the project site. Abutter Notices in English and in Spanish, along with a list of abutters, are included at the end of this packet.

Figure 2

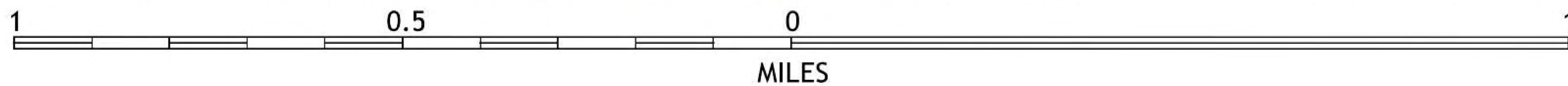
CAMBRIDGE



Stoneman Playground on the Esplanade between the perpendicular intersection of Hereford and Gloucester streets

Produced by the United States Geological Survey
North American Datum of 1983 (NAD83)
World Geodetic System of 1984 (WGS84). Projection and 1 000-meter grid: Universal Transverse Mercator, Zone 19T
This map is not a legal document. Boundaries may be generalized for this map scale. Private lands within government reservations may not be shown. Obtain permission before entering private lands.

Imagery	NAIP, July 2016 - September 2016
Roads	U.S. Census Bureau, 2016
Names	GNIS, 1974 - 2018
Hydrography	National Hydrography Dataset, 2005 - 2016
Contours	National Elevation Dataset, 2008 - 2012
Boundaries	Multiple sources; see metadata file 2016 - 2017
Wetlands	FWS National Wetlands Inventory 1992 - 2011



NOTES TO USERS

This map is for use in administering the National Flood Insurance Program. It does not necessarily identify all areas subject to flooding, particularly from local drainage sources of small size. The community map repository should be consulted for possible updated or additional flood hazard information.

To obtain more detailed information in areas where **Base Flood Elevations (BFEs)** and/or **floodways** have been determined, users are encouraged to consult the Flood Profiles and Floodway Data and/or Summary of Stillwater Elevations tables contained within the Flood Insurance Study (FIS) Report that accompanies this FIRM. Users should be aware that BFEs shown on the FIRM represent rounded whole-foot elevations. These BFEs are intended for flood insurance rating purposes only and should not be used as the sole source of flood elevation information. Accordingly, flood elevation data presented in the FIS Report should be utilized in conjunction with the FIRM for purposes of construction and/or floodplain management.

Coastal Base Flood Elevations shown on this map apply only landward of 0.0' North American Vertical Datum of 1988 (NAVD 88). Users of this FIRM should be aware that coastal flood elevations are also provided in the Summary of Stillwater Elevations table in the Flood Insurance Study Report for this jurisdiction. Elevations shown in the Summary of Stillwater Elevations table should be used for construction and/or floodplain management purposes when they are higher than the elevations shown on this FIRM.

Boundaries of the **floodways** were computed at cross sections and interpolated between cross sections. The floodways were based on hydraulic considerations with regard to requirements of the National Flood Insurance Program. Floodway widths and other pertinent floodway data are provided in the Flood Insurance Study Report for this jurisdiction.

The AE Zone category has been divided by a **Limit of Moderate Wave Action (LIMWA)**. The LIMWA represents the approximate landward limit of the 1.5-foot breaking wave. The effects of wave hazards between the VE Zone and the LIMWA (or between the shoreline and the LIMWA for areas where VE Zones are not identified) will be similar to, but less severe than those in the VE Zone.

Certain areas not in Special Flood Hazard Areas may be protected by **flood control structures**. Refer to Section 2.4 "Flood Protection Measures" of the Flood Insurance Study Report for information on flood control structures for this jurisdiction.

The **projection** used in the preparation of this map was Massachusetts State Plane Mainland Zone (FIPS zone 2001). The horizontal datum was NAD 83, GRS 1980 spheroid. Differences in datum, spheroid, projection or UTM zones used in the production of FIRMs for adjacent jurisdictions may result in slight positional differences in map features across jurisdiction boundaries. These differences do not affect the accuracy of this FIRM.

Flood elevations on this map are referenced to the North American Vertical Datum of 1988. These flood elevations must be compared to structure and ground elevations referenced to the same vertical datum. For information regarding conversion between the National Geodetic Vertical Datum of 1929 and the North American Vertical Datum of 1988, visit the National Geodetic Survey website at <http://www.ngs.noaa.gov> or contact the National Geodetic Survey at the following address:

NGS Information Services
 NOAA, NINGS12
 National Geodetic Survey
 SSMC-3, #9202
 1315 East-West Highway
 Silver Spring, Maryland 20910-3282
 (301) 713-3242

To obtain current elevation, description, and/or location information for **bench marks** shown on this map, please contact the Information Services Branch of the National Geodetic Survey at (301) 713-3242, or visit its website at <http://www.ngs.noaa.gov>.

Base map information shown on this FIRM is derived from Massachusetts Geographic Information System (MassGIS) digital ortho-photography produced at 45 centimeter (2005) and 30 centimeter (2008) resolution. Aerial photography is dated Spring 2005 and Spring 2008.

The **profile baselines** depicted on this map represent the hydraulic modeling baselines that match the flood profiles in the FIS report. As a result of improved topographic data, the **profile baseline**, in some cases, may deviate significantly from the channel centerline or appear outside the SFHA.

Based on updated topographic information, this map reflects more detailed and up-to-date **stream channel configurations** and **floodplain delineations** than those shown on the previous FIRM for this jurisdiction. As a result, the Flood Profiles and Floodway Data Tables for multiple streams in the Flood Insurance Study Report (which contains authoritative hydraulic data) may reflect stream channel distances that differ from what is shown on the map. Also, the road to floodplain relationships for unrevised streams may differ from what is shown on previous maps.

Corporate limits shown on this map are based on the best data available at the time of publication. Because changes due to annexations or de-annexations may have occurred after this map was published, map users should contact appropriate community officials to verify current corporate limit locations.

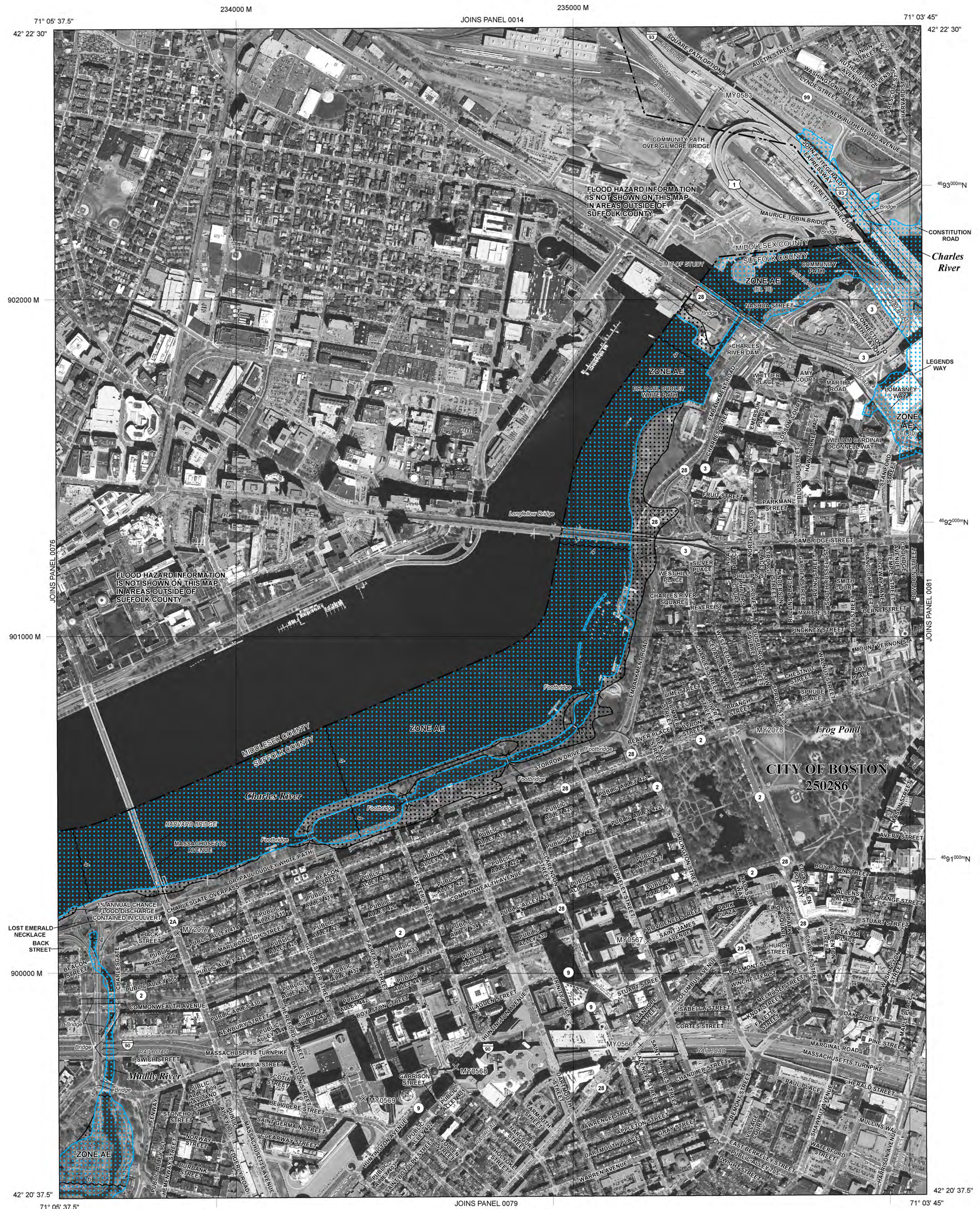
Please refer to the separately printed **Map Index** for an overview map of the county showing the layout of map panels; community map repository addresses; and a Listing of Communities table containing National Flood Insurance Program dates for each community as well as a listing of the panels on which each community is located.

For information on available products associated with this FIRM visit the **Map Service Center (MSC)** website at <http://msc.fema.gov>. Available products may include previously issued Letters of Map Change, a Flood Insurance Study Report, and/or digital versions of this map. Many of these products can be ordered or obtained directly from the MSC website.

If you have **questions about this map**, how to order products, or the National Flood Insurance Program in general, please call the **FEMA Map Information eXchange (FMIX)** at 1-877-FEMA-MAP (1-877-336-2627) or visit the FEMA website at <http://www.fema.gov/business/nfp>.

Figure 3

Only coastal structures that are certified to provide protection from the 1-percent-annual chance flood are shown on this panel. However, all structures taken into consideration for the purpose of coastal flood hazard analysis and mapping are present in the DFIRM database in S_Gen_Struct.



LEGEND

SPECIAL FLOOD HAZARD AREAS (SFHAs) SUBJECT TO INUNDATION BY THE 1% ANNUAL CHANCE FLOOD
 The 1% annual chance flood (100-year flood), also known as the base flood, is the flood that has a 1% chance of being equaled or exceeded in any given year. The Special Flood Hazard Area is the area subject to flooding by the 1% annual chance flood. Areas of Special Flood Hazard include Zones A, AE, AH, AO, AR, A99, V, and VE. The Base Flood Elevation is the water-surface elevation of the 1% annual chance flood.

ZONE A No Base Flood Elevations determined.
ZONE AE Base Flood Elevations determined.
ZONE AH Flood depths of 1 to 3 feet (usually areas of ponding); Base Flood Elevations determined.
ZONE AO Flood depths of 1 to 3 feet (usually sheet flow on sloping terrain); average depths determined. For areas of alluvial fan flooding, velocities also determined.
ZONE AR Special Flood Hazard Areas formerly protected from the 1% annual chance flood by a flood control system that was subsequently decertified. Zone AR indicates that the former flood control system is being restored to provide protection from the 1% annual chance or greater flood.
ZONE A99 Area to be protected from 1% annual chance flood by a Federal flood protection system under construction; no Base Flood Elevations determined.
ZONE V Coastal flood zone with velocity hazard (wave action); no Base Flood Elevations determined.
ZONE VE Coastal flood zone with velocity hazard (wave action); Base Flood Elevations determined.

FLOODWAY AREAS IN ZONE AE
 The floodway is the channel of a stream plus any adjacent floodplain areas that must be kept free of encroachment so that the 1% annual chance flood can be carried without substantial increases in flood heights.

OTHER FLOOD AREAS
ZONE X Areas of 0.2% annual chance flood; areas of 1% annual chance flood with average depths of less than 1 foot or with drainage areas less than 1 square mile, and areas protected by levees from 1% annual chance flood.
ZONE D Areas determined to be outside the 0.2% annual chance floodplain. Areas in which flood hazards are undetermined, but possible.

COASTAL BARRIER RESOURCES SYSTEM (CBRS) AREAS
OTHERWISE PROTECTED AREAS (OPAs)
 CBRS areas and OPAs are normally located within or adjacent to Special Flood Hazard Areas.

BOUNDARIES
 1% Annual Chance Floodplain Boundary
 0.2% Annual Chance Floodplain Boundary
 Floodway boundary
 Zone D boundary
 CBRS and OPA boundary

LIMITS
 Boundary dividing Special Flood Hazard Area Zones and boundary dividing Special Flood Hazard Areas of different Base Flood Elevations, flood depths, or flood velocities.
 Limit of Moderate Wave Action
 Limit of Moderate Wave Action coincident with Zone Break

ELEVATIONS
 Base Flood Elevation line and value; elevation in feet*
 Base Flood Elevation value where uniform within zone; elevation in feet*

*Referenced to the North American Vertical Datum of 1988

CROSS SECTIONS
 Cross section line
 Transient line
 Culvert
 Bridge

COORDINATES
 Geographic coordinates referenced to the North American Datum of 1983 (NAD 83) Western Hemisphere
 4985000 M 1000-meter grid; Massachusetts State Plane Mainland Zone (FIPS Zone 2001), Lambert Conformal Conic projection
 49°00'00" N 1000-meter Universal Transverse Mercator tick values, zone 19N
 DX5510 X Bench mark (see explanation in Notes to Users section of this FIRM panel)

MAP REPOSITORIES
 Refer to Map Repositories list on Map Index

EFFECTIVE DATE OF COUNTY-WIDE FLOOD INSURANCE RATE MAP
 September 28, 2009

EFFECTIVE DATE(S) OF REVISION(S) TO THIS PANEL
 March 16, 2016 - to change Base Flood Elevations and Special Flood Hazard Areas, to change zone designations, to update the effects of wave action, to update corporate limits, to add roads and road names, to incorporate previously issued Letters of Map Revision and to modify Coastal Barrier Resource System units.

For community map revision history prior to countywide mapping, refer to the Community Map History table located in the Flood Insurance Study report for this jurisdiction.

To determine if flood insurance is available in this community, contact your insurance agent or call the National Flood Insurance Program at 1-800-638-6620.

NATIONAL FLOOD INSURANCE PROGRAM

PANEL 0077J

FIRM
FLOOD INSURANCE RATE MAP
SUFFOLK COUNTY,
MASSACHUSETTS
(ALL JURISDICTIONS)

PANEL 77 OF 176
 (SEE MAP INDEX FOR FIRM PANEL LAYOUT)

CONTAINS:

COMMUNITY	NUMBER	PANEL	SUFFIX
BOSTON, CITY OF	250286	0077	J

Notice to User: The **Map Number** shown below should be used when placing map orders; the **Community Number** shown above should be used on insurance applications for the subject community.

MAP NUMBER
25025C0077J
MAP REVISED
MARCH 16, 2016

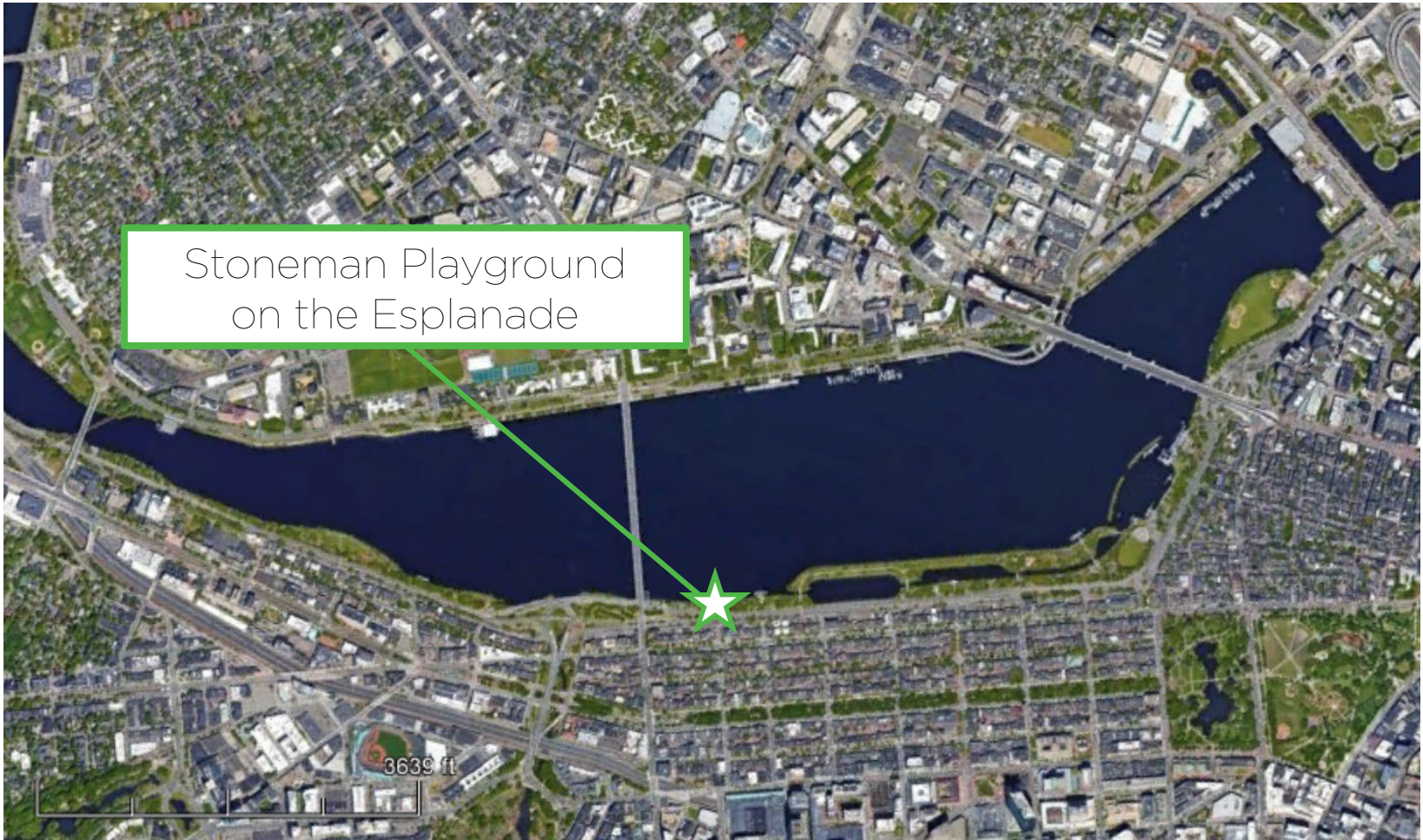
Federal Emergency Management Agency

Stoneman Playground Equipment Improvements

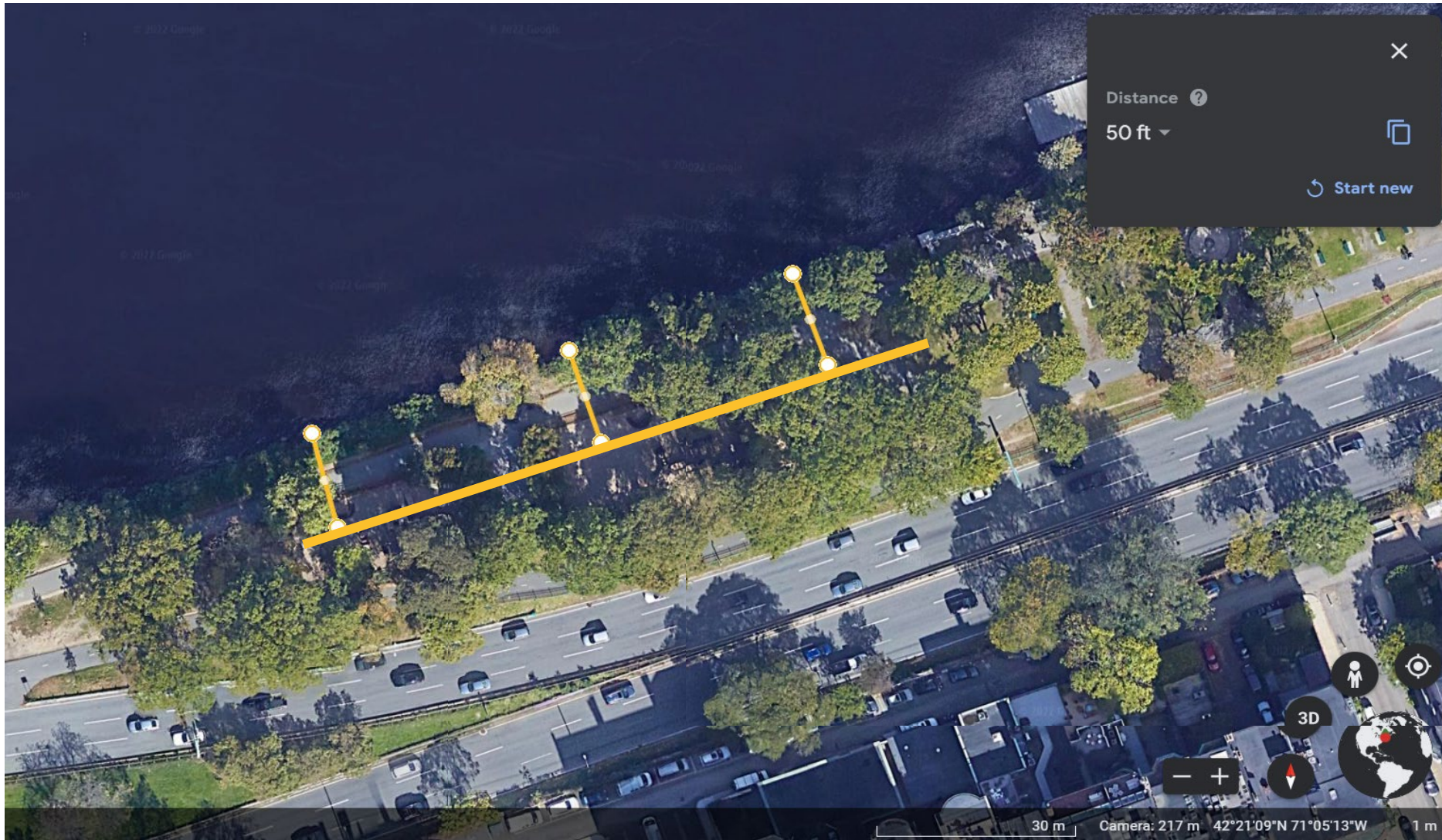


Supporting Details & Imagery

Project Location



Waterfront Area



For Your Consideration:

1. New Mitch Ryerson sculpture

with musical instrument pieces and seating

2. New inclusive play equipment

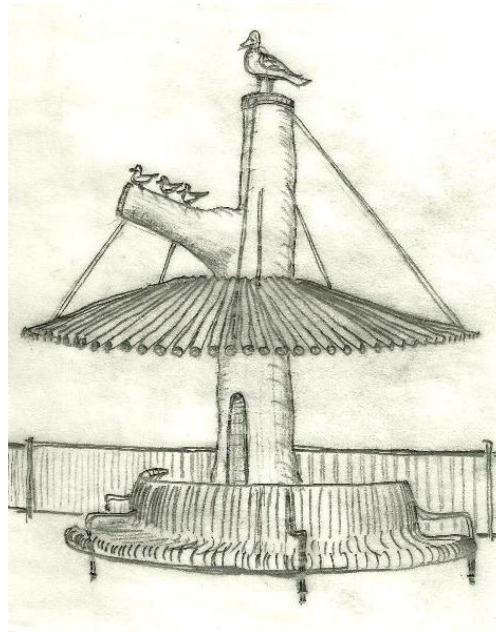
via DCR Partnership Matching Grant

New Mitch Ryerson Sculpture



Revitalizing a beloved feature
at Stoneman Playground

Original Sculpture



Installed in 2012

Sculpture Removal



Removed in 2021

New Sculpture

Goals:

- Prioritize safety and accessibility
- Add to Stoneman playground's "musical treehouse" theme
- Incorporate pieces saved from the original sculpture
- Design with risk management and maintenance in mind

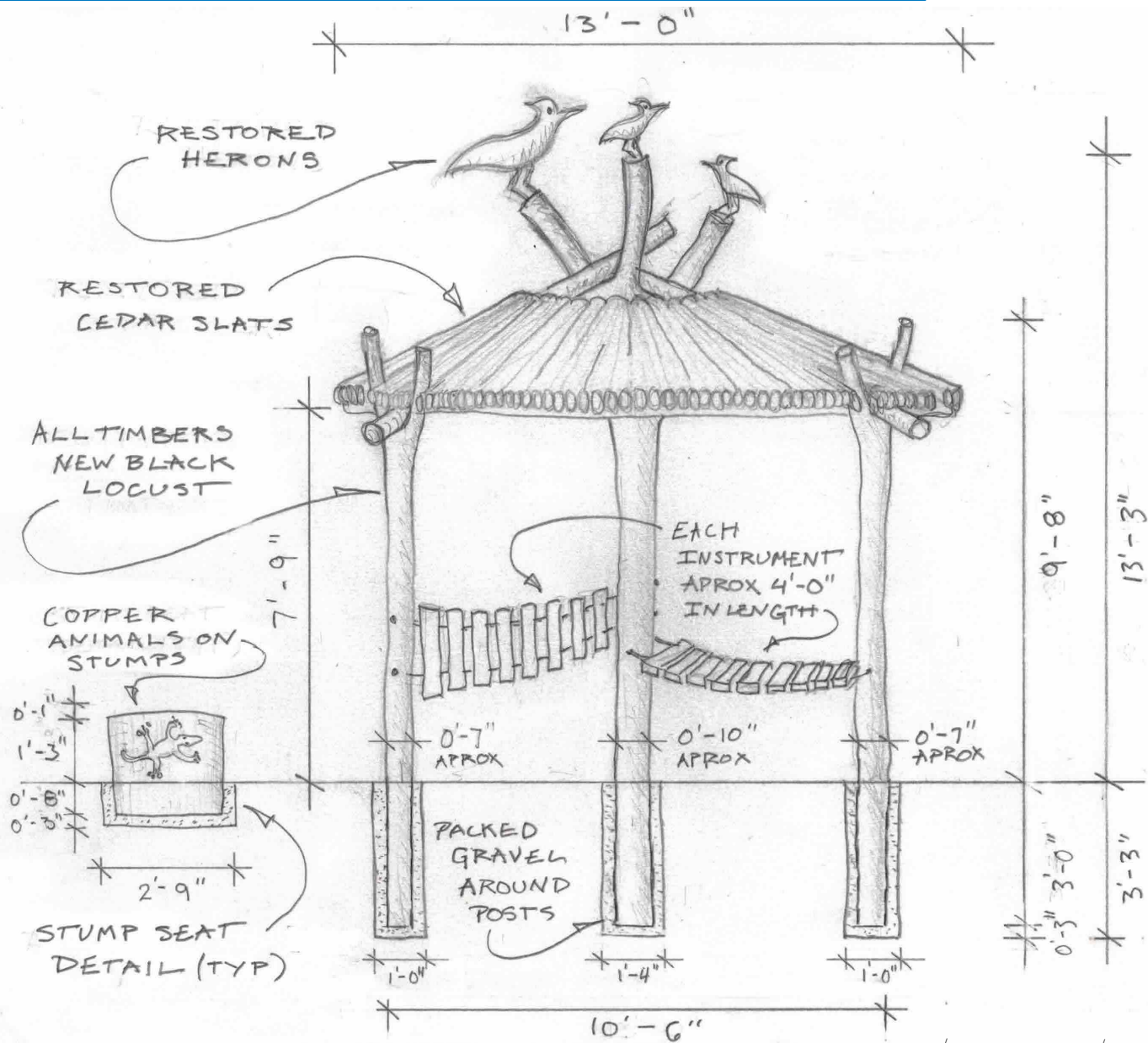
Artist Bio: Mitch Ryerson is a Cambridge-based woodworking artist with decades of expertise designing art pieces, furniture, and play structures. Mitch designed the original Stoneman Playground sculpture and the wooden play structure at the Esplanade Playspace.

Vision: The Stoneman Playground “Music Shed.” A wooden sculpture holds percussive instruments. Birds repurposed from the original Stoneman sculpture perch on top.

Ryerson Design

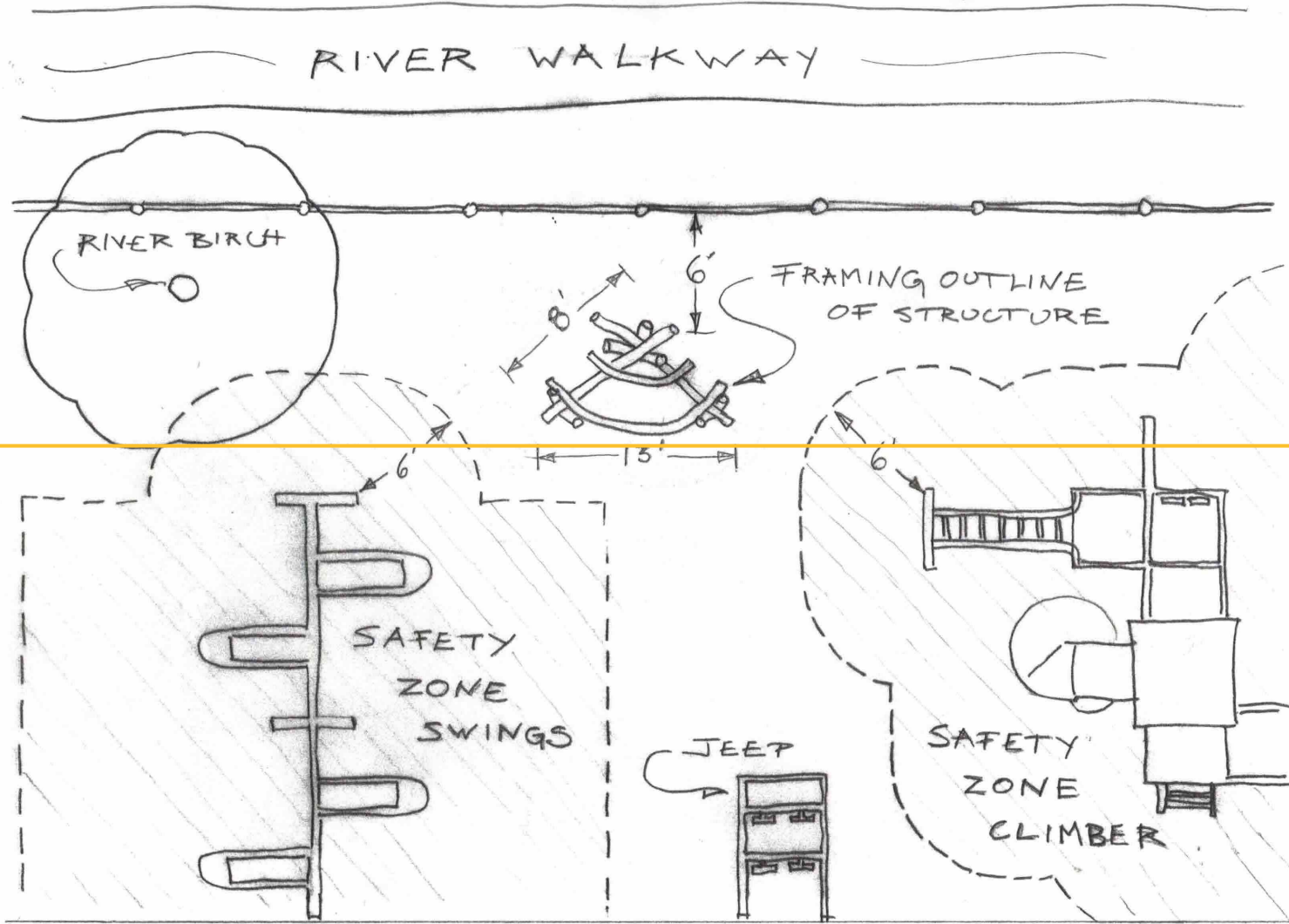


Proposed Design



MUSICAL TREEHOUSE
 STONEMAN PLAYGROUND MR 3/15/22

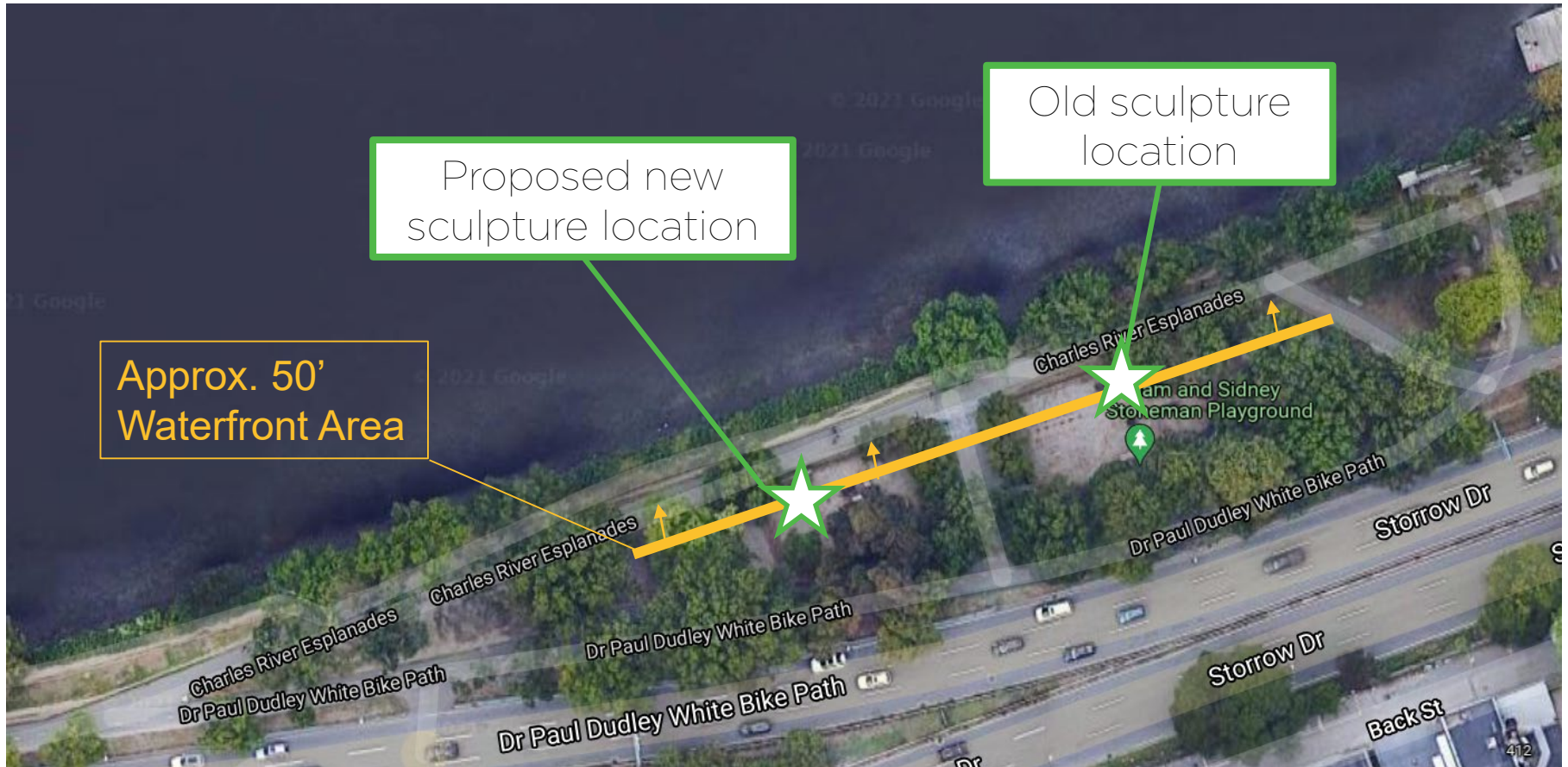
Proposed Location



SKETCH SHOWING POSITION OF STRUCTURE

Approx. 50'
Waterfront Area

Location Detail



Proposed Location



New Inclusive Play Equipment via DCR Matching Grant



Filling gaps to bring more “play value”

DCR Grant Project

Goals:

- Add new play opportunities that:
 - Incorporate universal design principles
 - Activate children's vestibular and proprioceptive senses
 - Facilitate group play
 - Increase musical play options
- Retain Stoneman's "musical treehouse" theme
- Design with maintenance and risk management in mind

Selected Vendor: M.E. O'Brien & Sons is a pre-approved DCR vendor with experience and existing equipment at Stoneman Playground. Specializing in design, sales, and installation, M.E. O'Brien & Sons has been recognized as a Massachusetts Certified Women Business Enterprise since 2009.

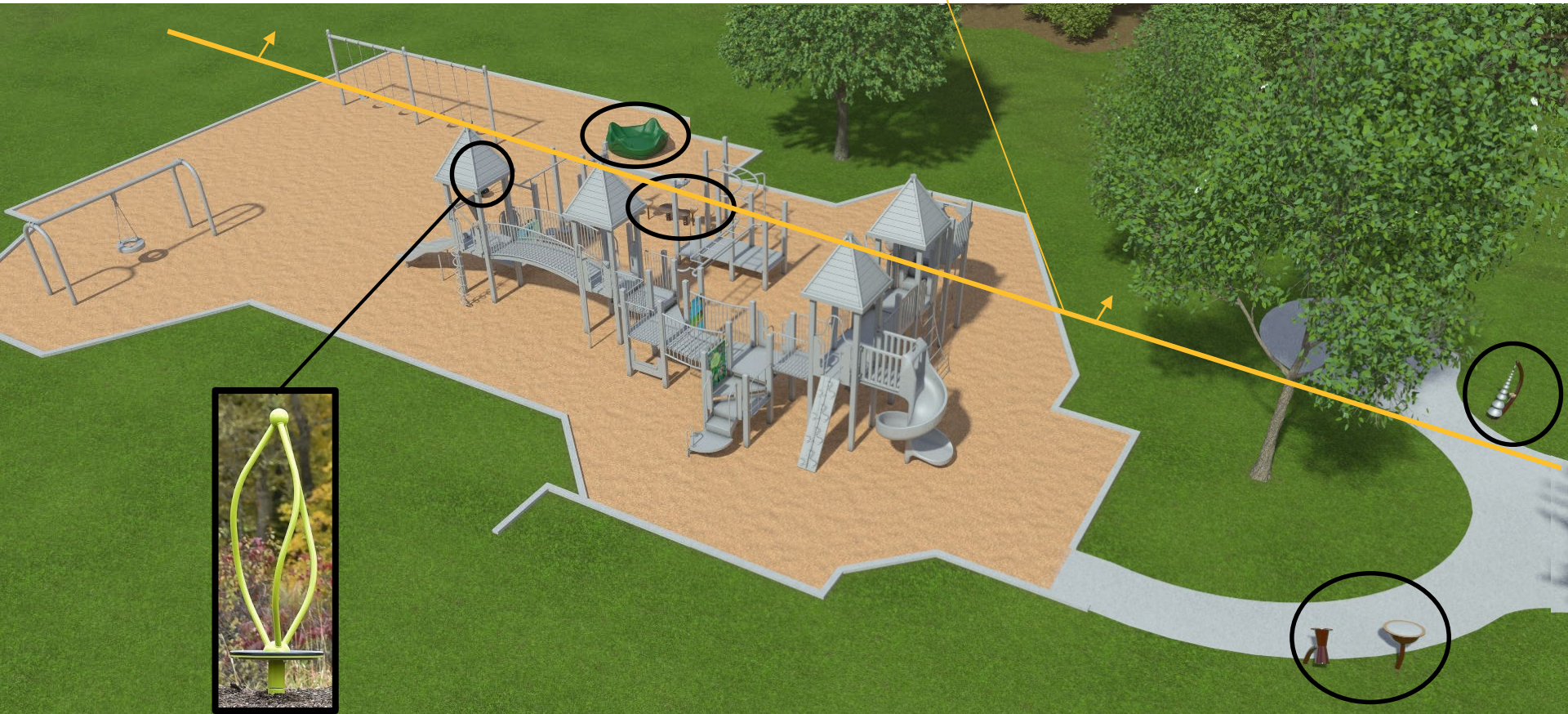
Vision: For the first time, Stoneman has equipment that spins, improving balance and core strength for kids. New musical instruments add depth to the playground's sounds. Custom panels support educational play.



Images courtesy of M.E. O'Brien & Sons

New Equipment: South Overview

Approx. 50'
Waterfront Area



Proposed spinner hidden
behind existing structure

New Equipment: North Overview



Proposed spinner off page

Approx. 50'
Waterfront Area

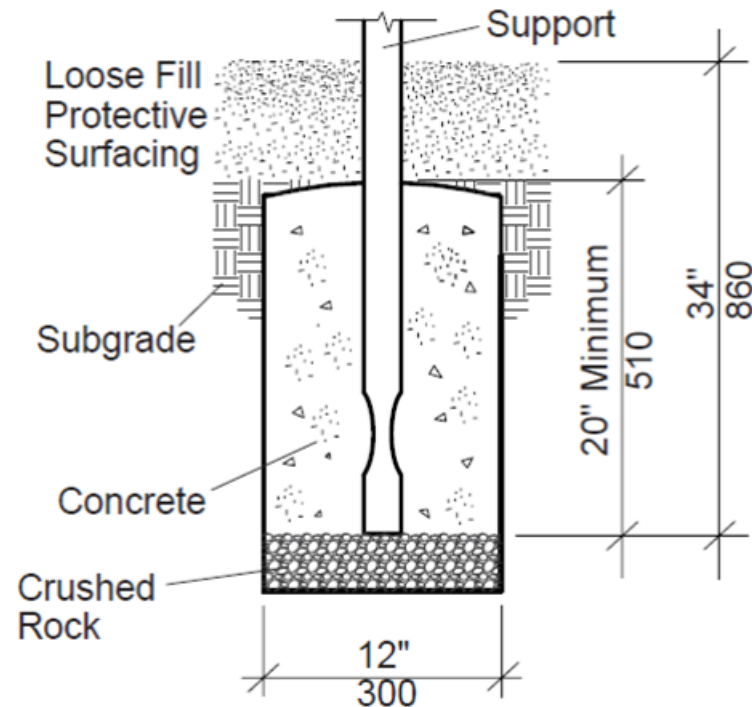
New Equipment: Stepping Pods (4)



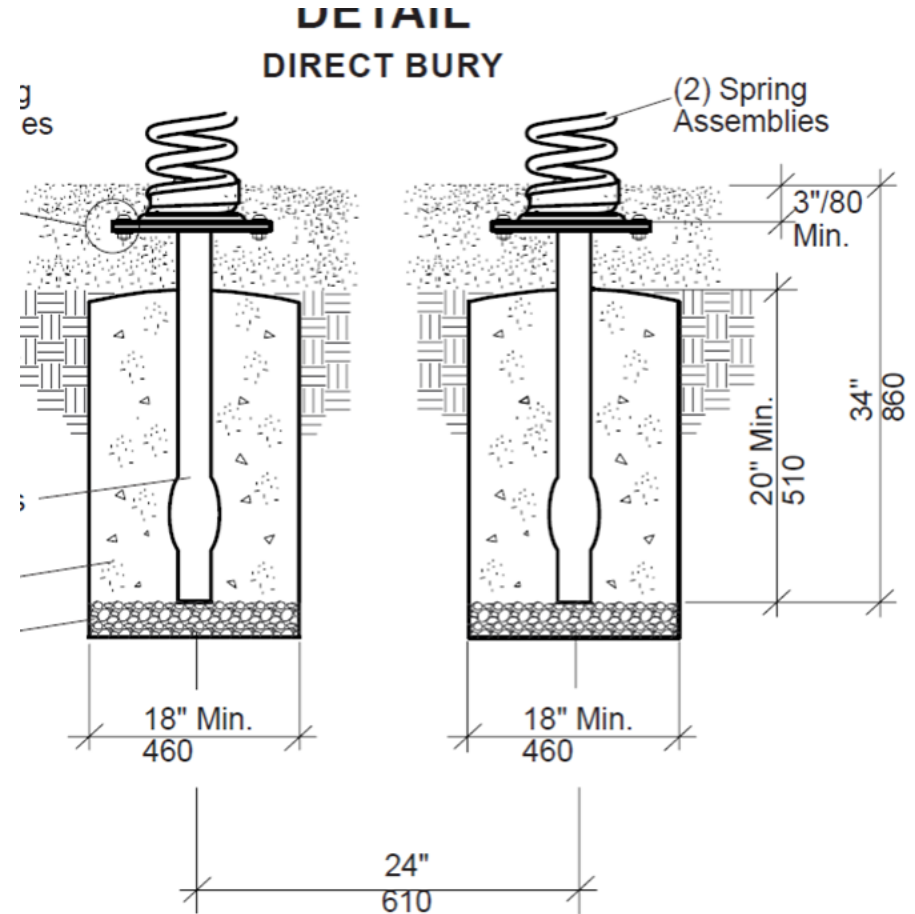
over hardware
for fall height
requirements.

Crushed R

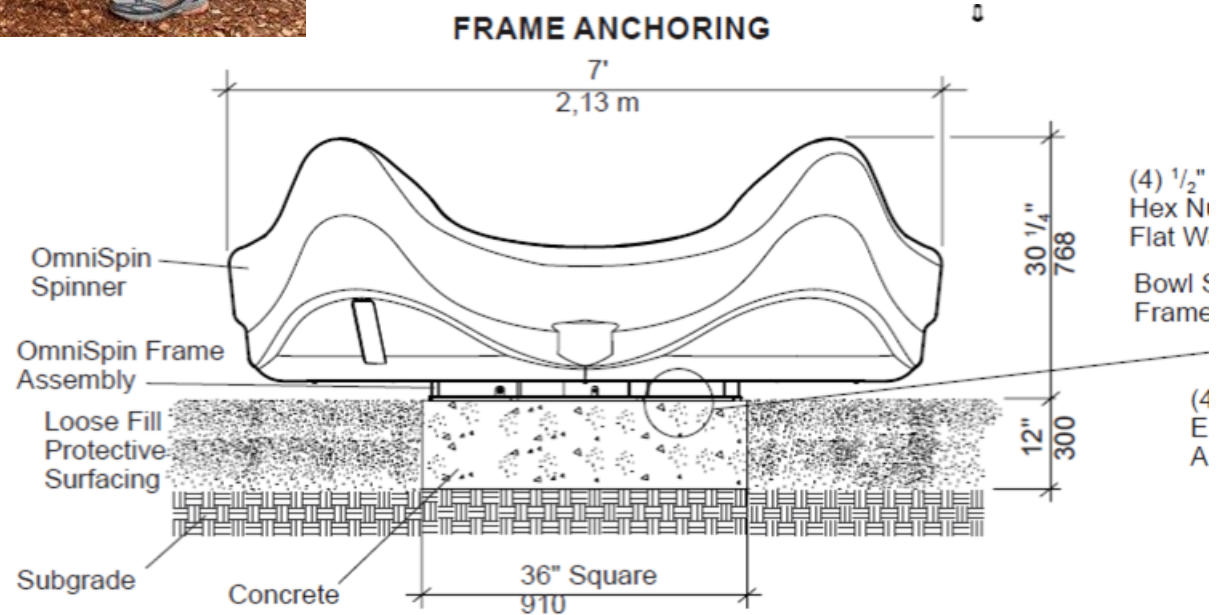
DETAIL DIRECT BURY



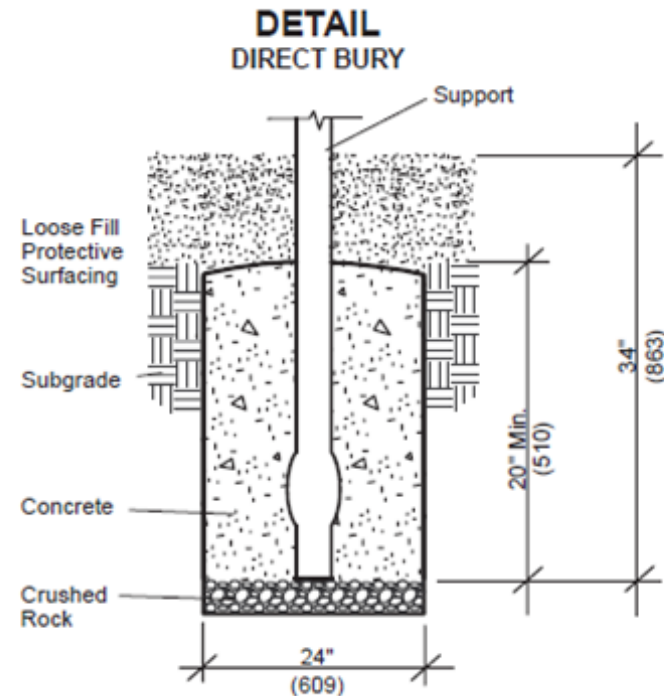
New Equipment: Wobble Pod (1)



New Equipment: Omni Spinner (1)



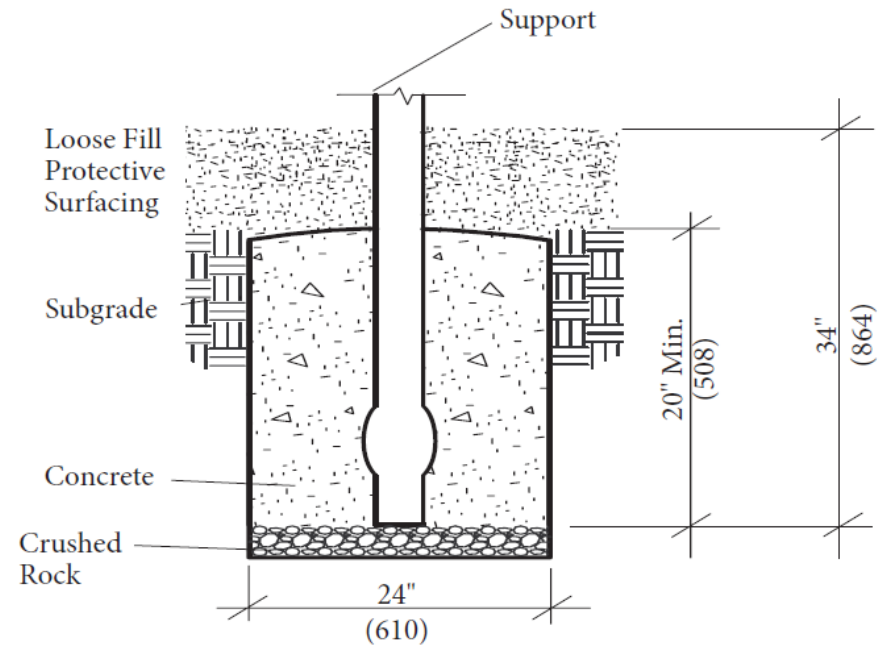
New Equipment: Curva Spinner (1)



New Equipment: Cascata Bells (1)



DETAIL
DIRECT BURY

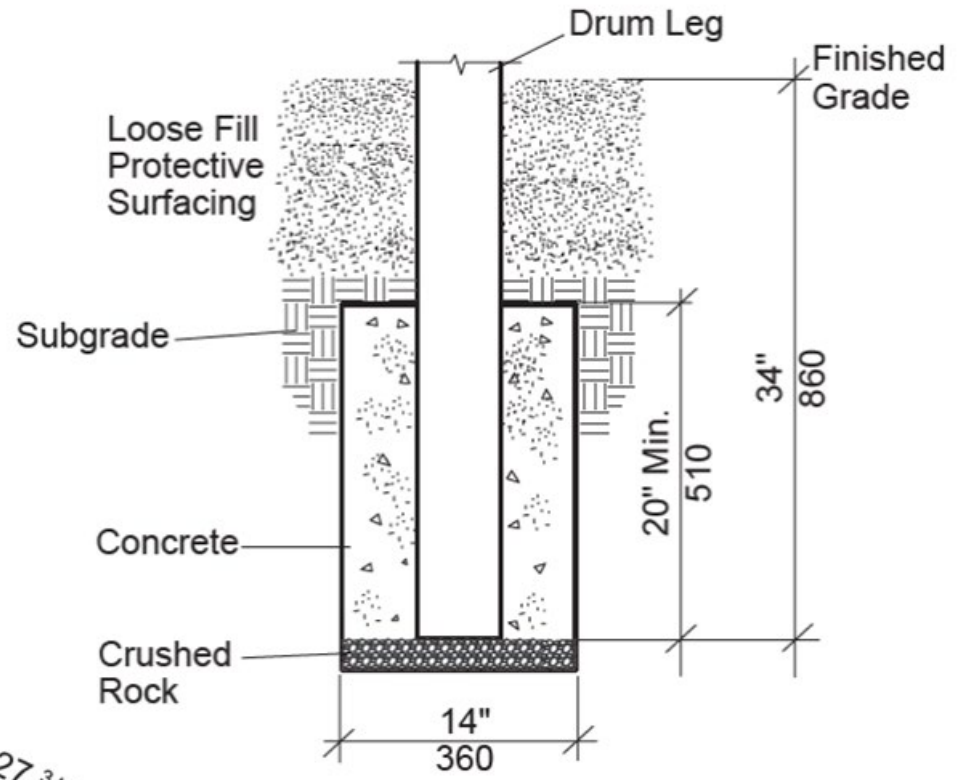


DETAIL
DIRECT BURY
POST

New Equipment: Kundu Drum (1)



DETAIL DIRECT BURY

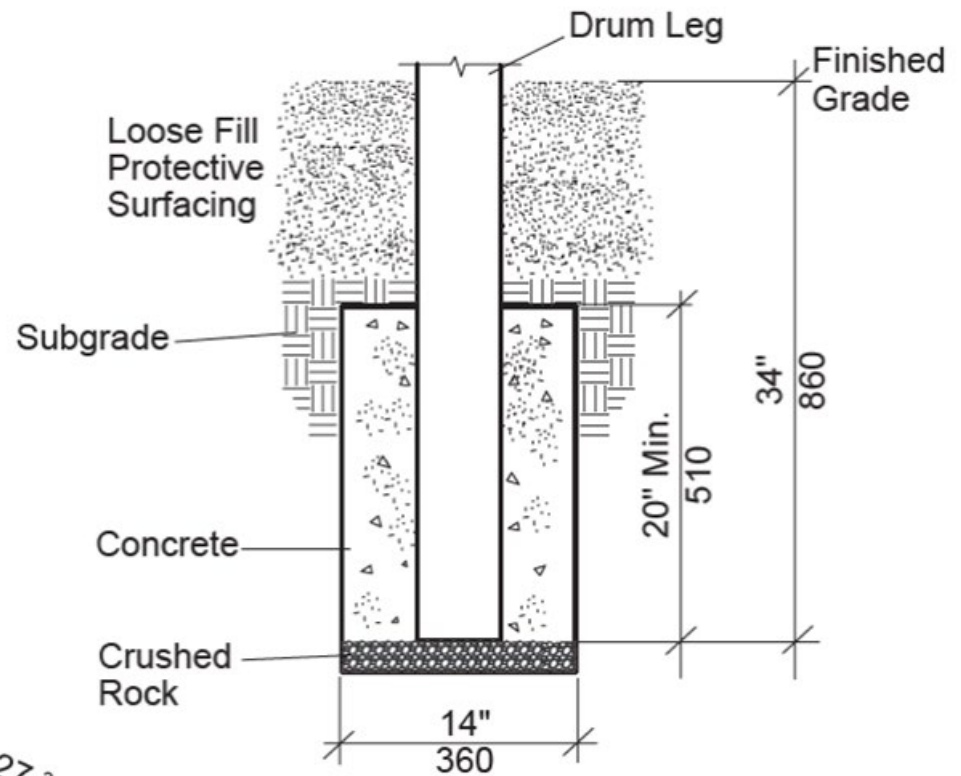


27 3/8"

New Equipment: Kettle Drum (1)



DETAIL DIRECT BURY



27 3/8"

Thank you!



@EsplanadeinBoston



@EsplanadeBoston



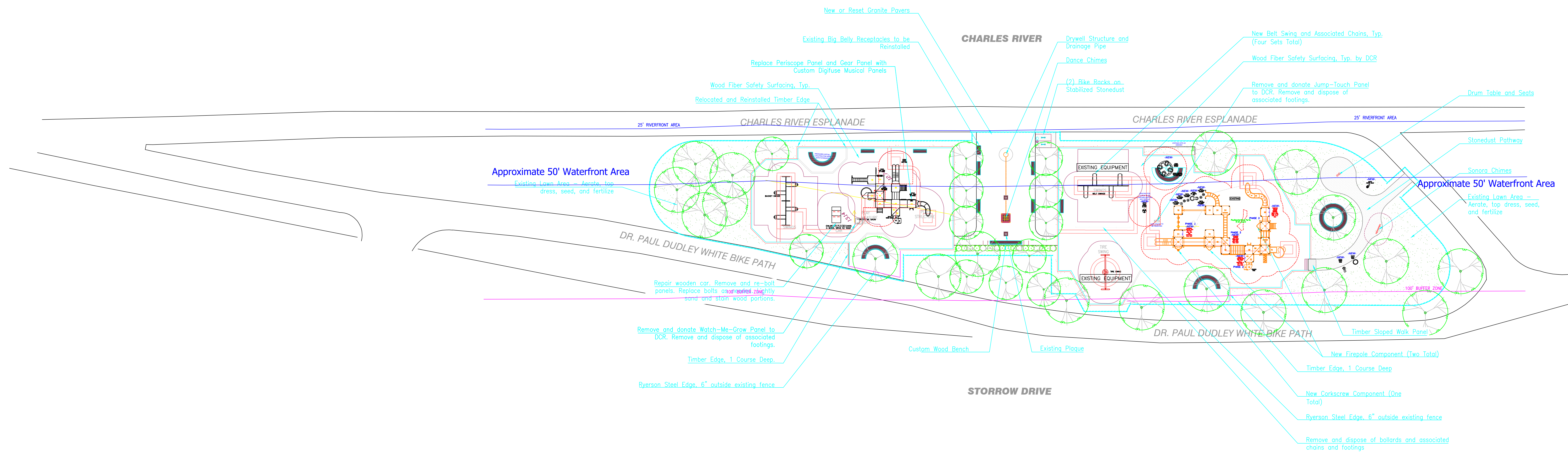
/EsplanadeBoston

Alison Badrigian
Director of Projects & Planning
617.532.0949
abadrigian@esplanade.org

Figure 5



IT IS THE MANUFACTURERS OPINION AND INTENT THAT THE USE AND LAYOUT OF THESE COMPONENTS CONFORM WITH THE AMERICAN SOCIETY FOR TESTING AND MATERIALS (ASTM) STANDARD ASTM F1487



THIS PLAY AREA & PLAY EQUIPMENT IS DESIGNED FOR AGES 5-12 YEARS UNLESS OTHERWISE NOTED ON PLAN.

IT IS THE MANUFACTURERS OPINION THAT THIS PLAY AREA DOES CONFORM TO THE A.D.A. ACCESSIBILITY STANDARDS, ASSUMING AN ACCESSIBLE PROTECTIVE SURFACING IS PROVIDED, AS INDICATED, OR WITHIN THE ENTIRE USE ZONE.

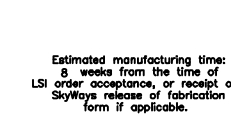
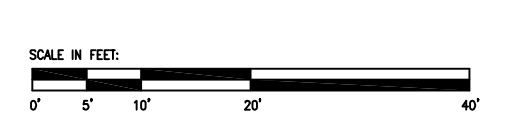
THIS CONCEPTUAL PLAN WAS BASED ON INFORMATION AVAILABLE TO US. PRIOR TO CONSTRUCTION, DETAILED SITE INFORMATION INCLUDING SITE DIMENSIONS, TOPOGRAPHY, EXISTING UTILITIES, SOIL CONDITIONS, AND DRAINAGE SOLUTIONS SHOULD BE OBTAINED, EVALUATED, & UTILIZED IN THE FINAL DESIGN. PLEASE VERIFY ALL DIMENSIONS OF PLAY AREA, SIZE, ORIENTATION, AND LOCATION OF ALL EXISTING UTILITIES, EQUIPMENT, AND SITE FURNISHINGS PRIOR TO ORDERING. SLIDES SHOULD NOT FACE THE HOT AFTERNOON SUN.

CHOOSE A PROTECTIVE SURFACING MATERIAL THAT HAS A CRITICAL HEIGHT VALUE TO MEET THE MAXIMUM FALL HEIGHT FOR THE EQUIPMENT (REF. ASTM F1487 STANDARD CONSUMER SAFETY PERFORMANCE SPECIFICATION FOR PLAYGROUND EQUIPMENT FOR PUBLIC USE, SECTION 8 CURRENT REVISION). THE SUBSURFACE MUST BE WELL DRAINED. IF THE SOIL DOES NOT DRAIN NATURALLY IT MUST BE TILED OR SLOPED 1/8" TO 1/4" PER FOOT TO A STORM SEWER OR A "FRENCH DRAIN".

ACCESSIBLE/PROTECTIVE
LOOSE FILL MATERIAL
(ENGINEERED WOOD FIBER SUGGESTED)

DESIGNED BY:
CLB
COPYRIGHT: 5/19/2022
LANDSCAPE STRUCTURES, INC.
601 7th STREET SOUTH - P.O. BOX 198
DELANO, MINNESOTA 55328
PH: 1-800-328-0035 FAX: 1-763-972-6091

Date	Previous Drawing #	Initials



Stoneman Playground
Esplanade DCR
Boston, MA

M.E. O'Brien
& Sons, Inc
Andrew Kimball

SYSTEM TYPE:
Playventure
DRAWING #:
1156195-01-06

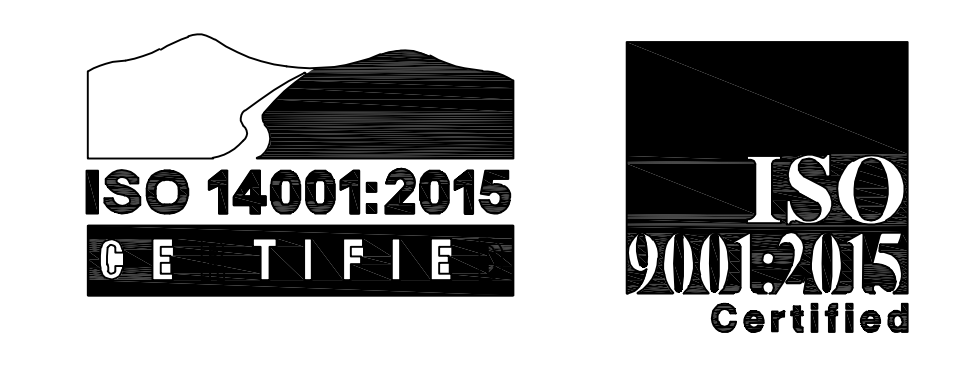
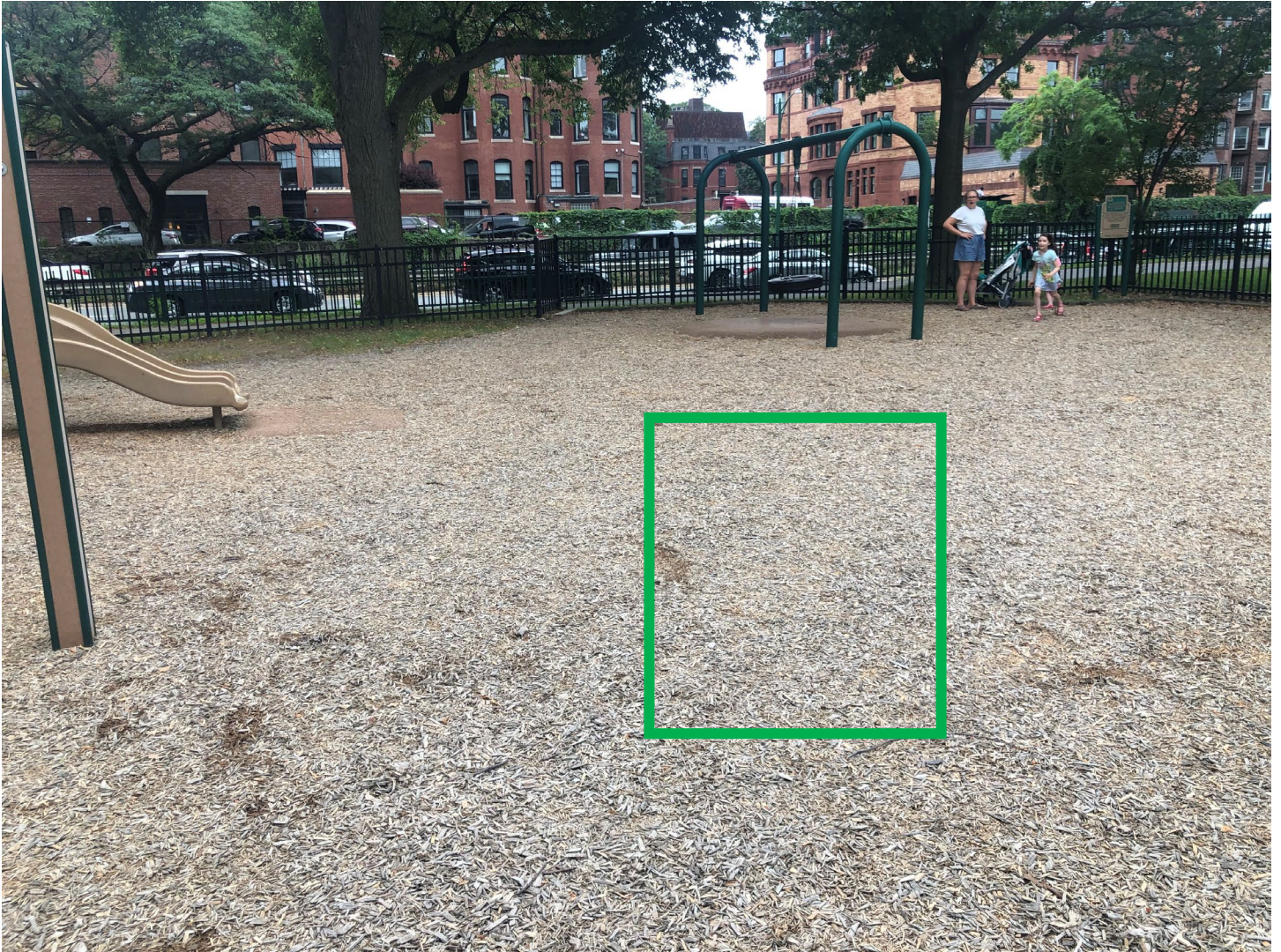


Figure 6

Making life better on the Esplanade.



Empty space in playground to be activated with a small piece of spinning equipment (holds 2-3 children).



Instrument Grove to be enlivened with the addition of two more musical instruments.



Bar panel at the top of the slide to be replaced with a panel that features flowers of the Esplanade. 3 other bar panels will be also replaced with Esplanade-related activity panels.



Empty space between the end of the overhead climber and the low play deck to be linked with stepping pods, creating a “play circuit”.



New Mitch Ryerson sculpture with musical instruments and stump seating to be put in place of under-utilized bench.



New, ADA-accessible spinner (seats 10 children!) to be put in place of under-utilized bench.

Thank you!
Alison Badrigian
Director of Projects & Planning
abadrigian@esplanade.org

STONEMAN PLAYGROUND IMPROVEMENTS

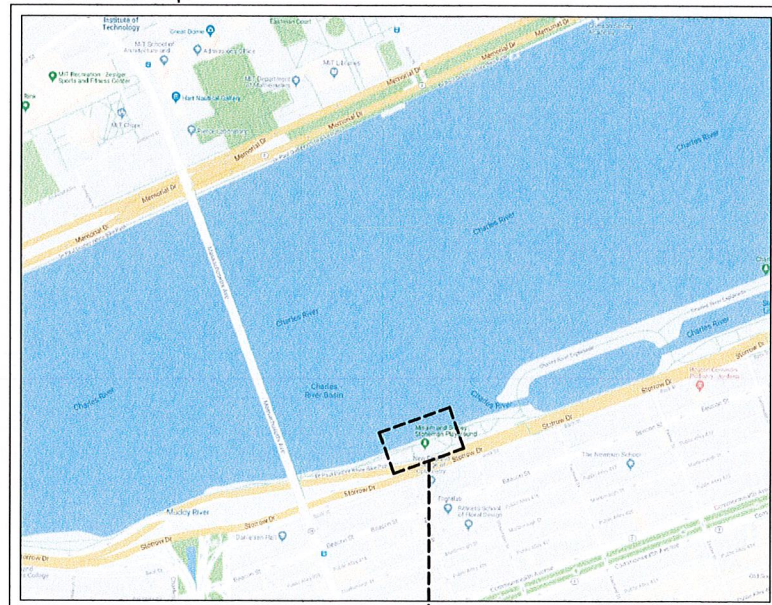
Charles River Esplanade
Boston, MA

CBA | Landscape Architects LLC

24 THORNDIKE STREET | CAMBRIDGE MA 02141
phone 617.945.9760 | www.cbaland.com | cba@cbaland.com

landscape architecture | urban design | master planning

Locus Map



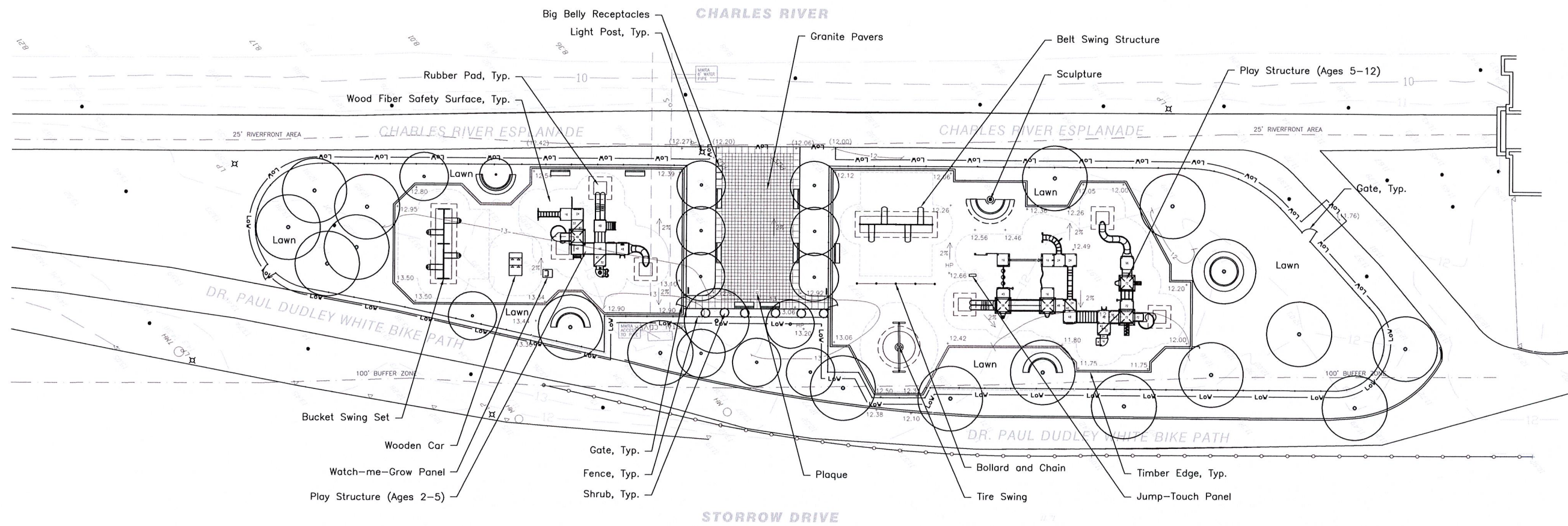
Project Location



April 2021
As Built Drawings

DRAWING LIST CBA - Project No. 1907





- L0.1 Existing Conditions Plan
- L1.0 Removals Plan
- L2.0 Materials & Layout Plan
- L2.1 Materials & Layout Enlargements
- L3.0 Site Details
- L3.1 Site Details



EXISTING CONDITIONS NOTE

Existing Conditions Plan is based off of the 2001 MDC Esplanade Playground Construction Documents and field observations and measurements recorded June, 2019.

EXISTING CONDITIONS LEGEND

-  Tree
-  Semi-circular Metal Bench
-  Bench
-  Circular Metal Bench



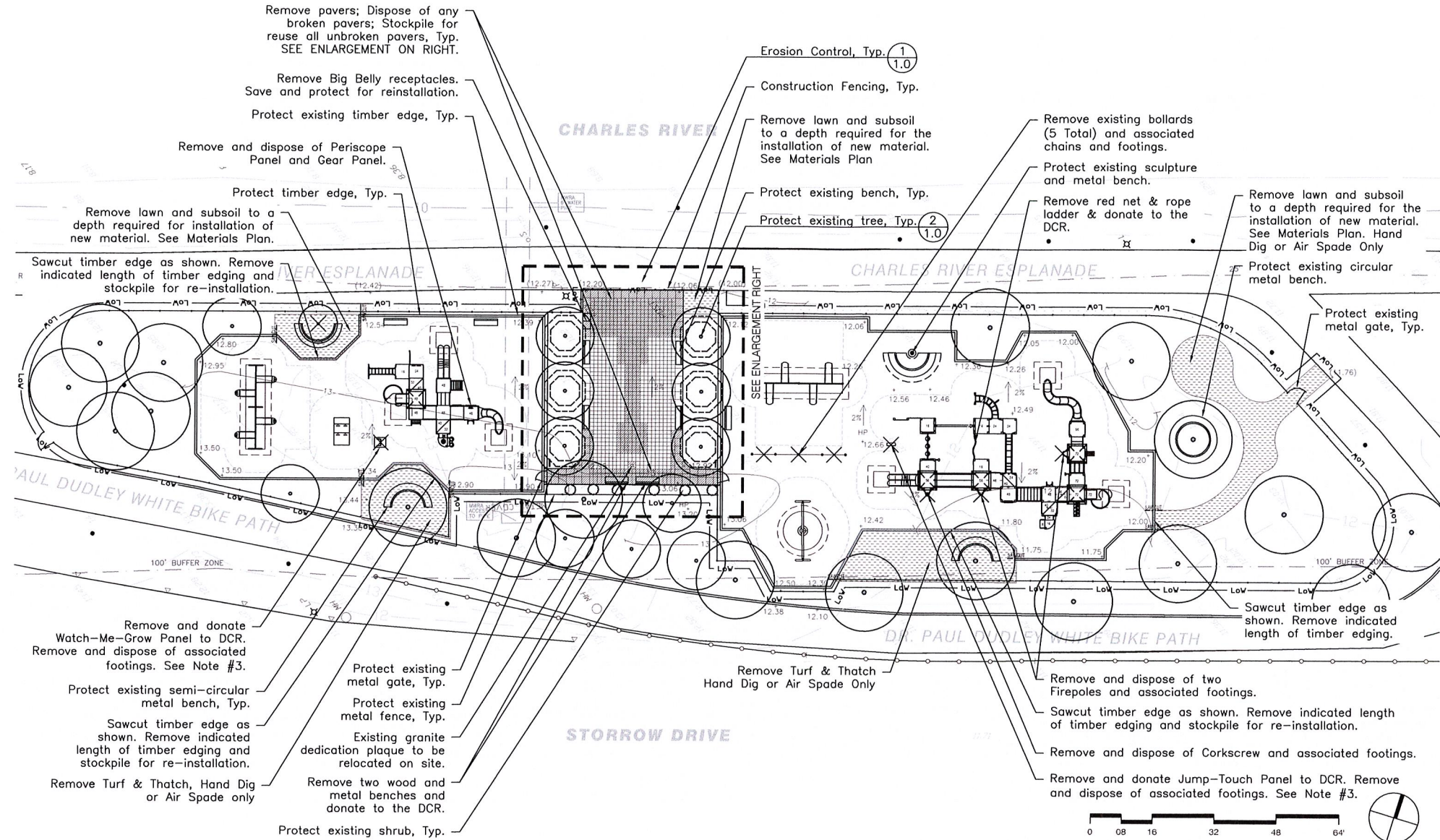
CBA | Landscape Architects LLC
 24 THORNDIKE STREET | CAMBRIDGE, MA 02141
 phone 617.945.9790 | www.cbaland.com | cba@cbaland.com
 landscape architecture
 urban design
 master planning

STONEMAN PLAYGROUND
 Boston, MA
EXISTING CONDITIONS PLAN

DATE: 04-19-2021
 SCALE: 1/16" = 1' - 0"
 FILE: 1907-1-0-EC & Demo.dwg
 DWN BY: JHC
 CKD BY: CCB/MT
 PROJ. #: 1907



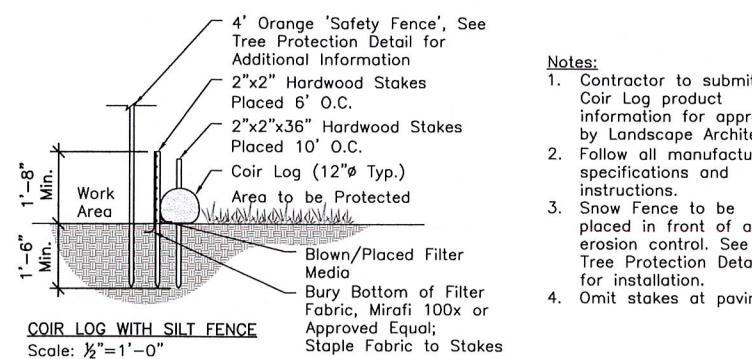
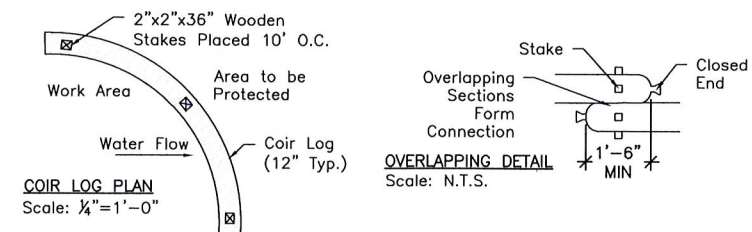
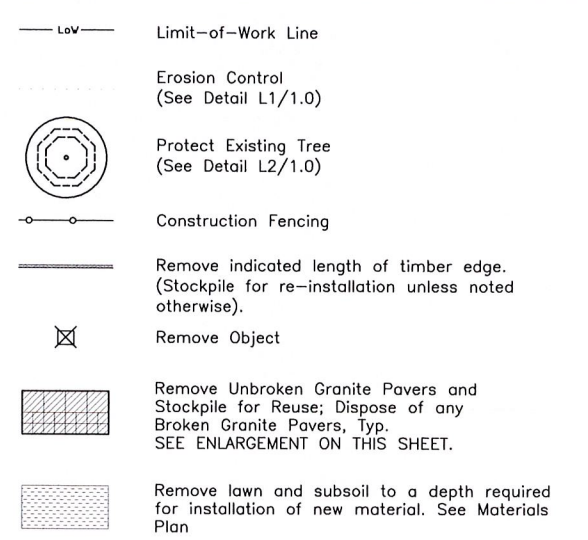
L0.1



DEMOLITION & REMOVALS NOTES

- The Landscape Contractor shall verify location of and protect all utilities, drainage, and sub-drainage structures, prior to starting construction. Call DIG-SAFE.
- Landscape Contractor shall review items to be removed with Landscape Architect prior to commencement of work.
- The DCR shall retain the right of first refusal for any items to be removed from the site. If the DCR elects to retain materials or furnishings from the site, the Contractor shall deliver the selected items to the DCR's yard at no additional cost to the Owner. All other materials slated for disposal shall be disposed of off-site properly and in accordance with all local and state regulations.
- Protect from damage all trees, walls, curbs, paving, play equipment, furniture, and any other site feature that is not designated for removal.
- Inspection and pruning of existing trees are to be by others.
- Any damaged item not scheduled for removal shall be restored by the Contractor to the Owner's satisfaction at no extra charge.
- Contractor to be given directions on how to access the site by the Esplanade Association. These are to be followed at all times.

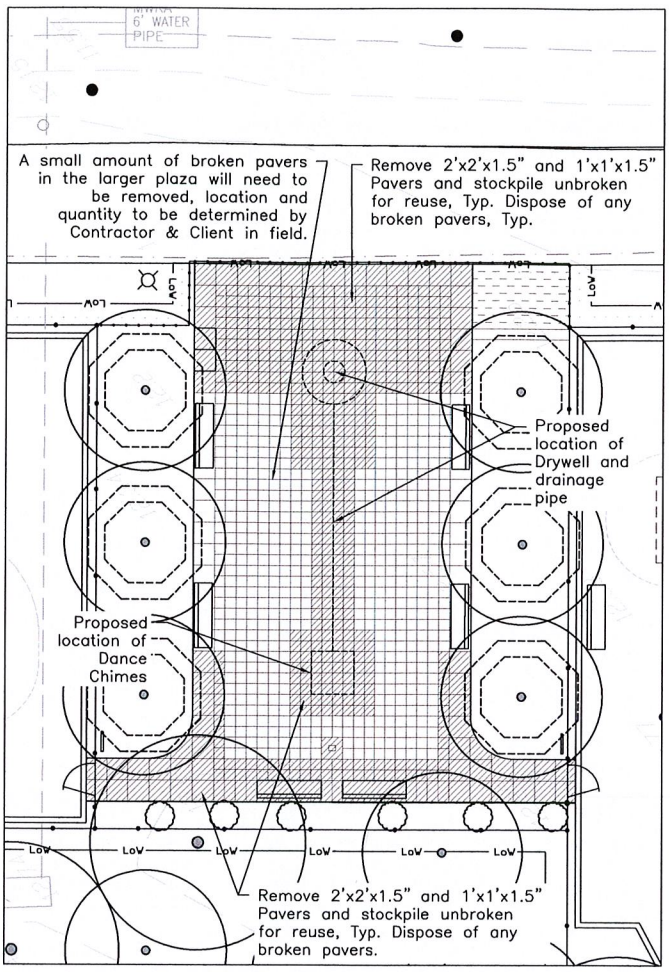
DEMOLITION & REMOVALS LEGEND



1 Erosion Control - Coir Log
Scale: 1/2" = 1'-0"

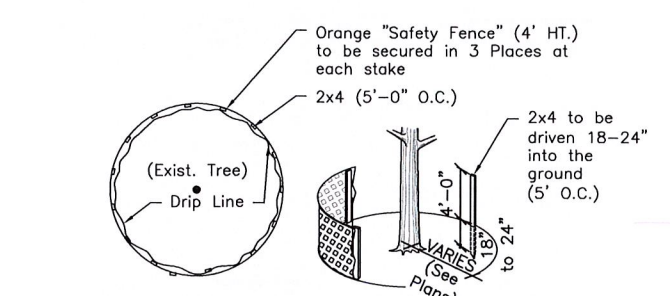
ENTRY PLAZA ENLARGEMENT

Scale: 1/8" = 1'-0"



NOTE

1. Diagram of broken pavers is schematic. Contractor shall review with Landscape Architect all broken pavers that will be need to be removed for disposal. At completion of project, all unused and unbroken pavers are to be disposed of by Contractor or stockpiled at location designated by Esplanade Association or DCR. Choice is to be made by the Esplanade Association.



NOTES:

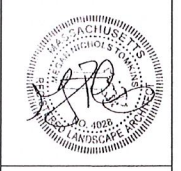
- Maintain fence protection in sound condition until project completion.
- Protective fence to run along dripline unless otherwise required to install improvements. Spray or stake layout of all proposed paving edges and site features within the dripline of existing trees before beginning any demolition work or remove existing material in order to determine the maximum extents of site fencing.
- Landscape Architect and Owner's Representative to approve fence placement in field before construction begins.
- Do not relocate approved fence without notifying Landscape Architect or Owner.

2 TREE PROTECTION
Scale: 1/2" = 1'-0"

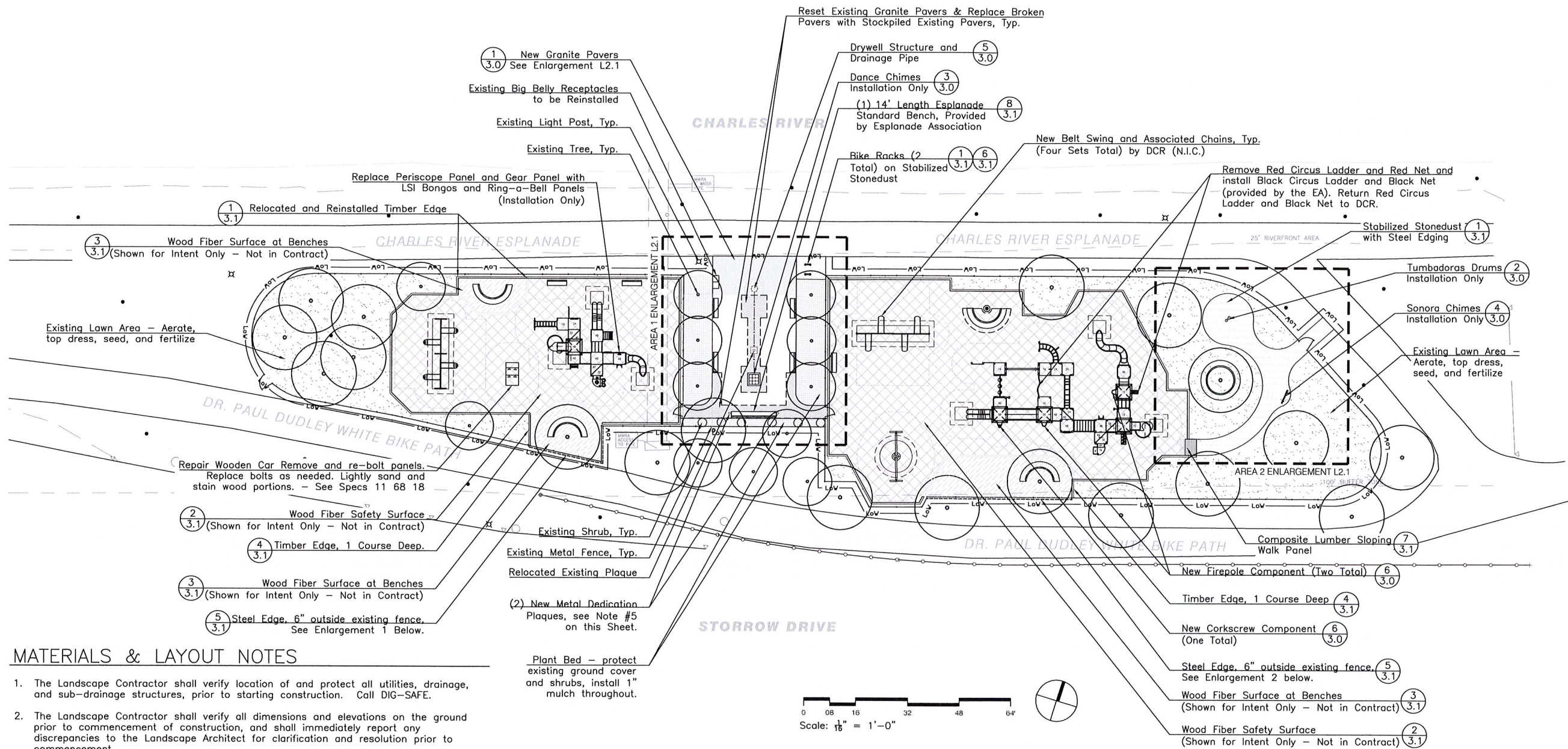
CBA Landscape Architects LLC
24 THORN DIKE STREET | CAMBRIDGE MA 02141
phone 617.945.6760 | www.cbaland.com | cba@cbaland.com
landscape architecture
urban design
master planning

STONEMAN PLAYGROUND
Boston, MA
DEMOLITION & REMOVALS PLAN

DATE: 04-19-2021
SCALE: AS NOTED
FILE: 1907-L1-0-E.C. & Demo.dwg
DWN BY: JHC
CKD BY: CCB/MT
PROJ. #: 1907



L1.0



MATERIALS & LAYOUT NOTES

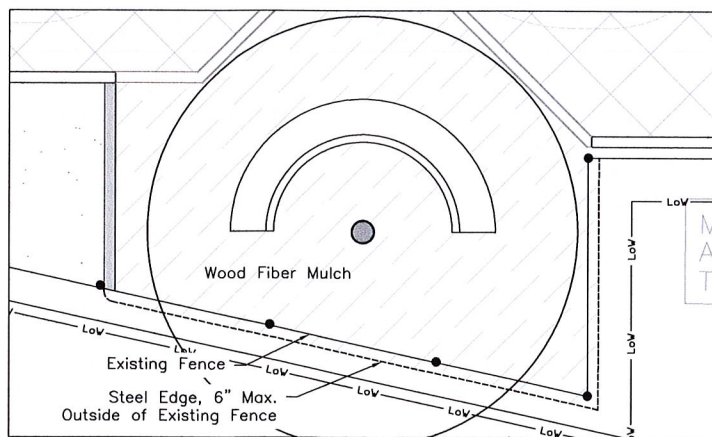
- The Landscape Contractor shall verify location of and protect all utilities, drainage, and sub-drainage structures, prior to starting construction. Call DIG-SAFE.
- The Landscape Contractor shall verify all dimensions and elevations on the ground prior to commencement of construction, and shall immediately report any discrepancies to the Landscape Architect for clarification and resolution prior to commencement.
- The Landscape Contractor shall stake layout of plan on the site for approval of Landscape Architect after demolition but before commencement of new construction.
- Wood fiber safety surface is shown for intent only and is not in contract. Both playground equipment areas shall be replenished with wood fiber safety surfacing provided by the Esplanade Association except where existing rubber safety surfacing pads are located.
- Two new dedication plaques were added during construction. Plaque One reads "In recognition of the Lewis Family Foundation For bringing music and dance to our beloved playground July 2020", and plaque Two reads "If you judge people, you have no time to love them" - Mother Theresa In Honor of Harriet R. Lewis".

MATERIALS & LAYOUT LEGEND

	Limit-of-Work Line		Wood Fiber Safety Surface
	Existing Tree		Wood Fiber Surface at Benches
	Relocated and Reinstalled Timber Edge		Stabilized Stonedust
	Existing Lawn Area - Top dress, seed, and fertilize		
	Plant Bed - protect existing ground cover plants, install 1" mulch throughout.		
N.I.C.	Not in Contract		

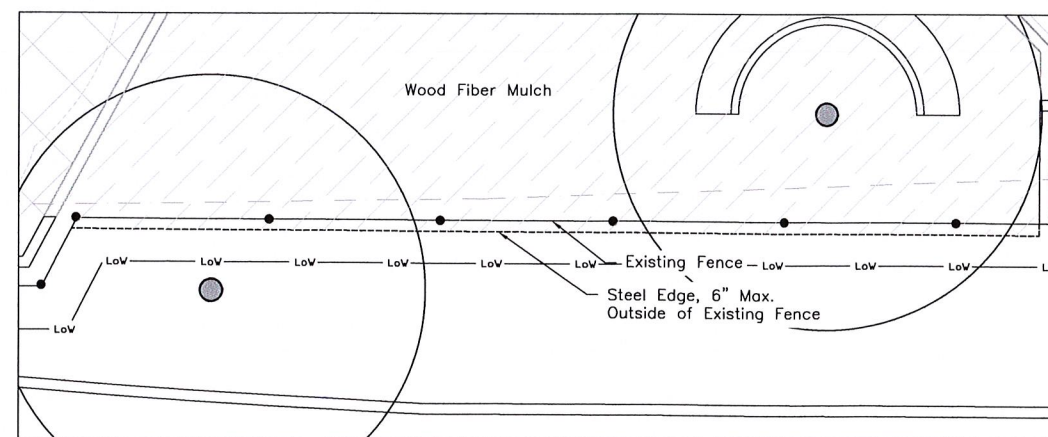
STEEL EDGE ENLARGEMENT 1

Scale: 1/4" = 1'-0"



STEEL EDGE ENLARGEMENT 2

Scale: 1/4" = 1'-0"



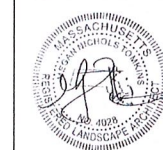
STONEMAN PLAYGROUND

Boston, MA

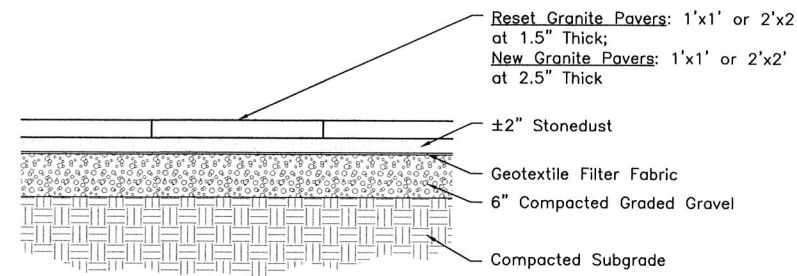
MATERIALS & LAYOUT PLAN

CBA Landscape Architects LLC
 24 THORNDIKE STREET | CAMBRIDGE, MA 02141
 phone 617.945.9760 | www.cbaland.com | cba@cbaland.com
 landscape architecture
 urban design
 master planning

DATE: 04-19-2021
 SCALE: AS NOTED
 FILE: 1907-L2-Mat&Layout.dwg
 DWN BY: JHC
 CKD BY: COB/MT
 PROJ. #: 1907

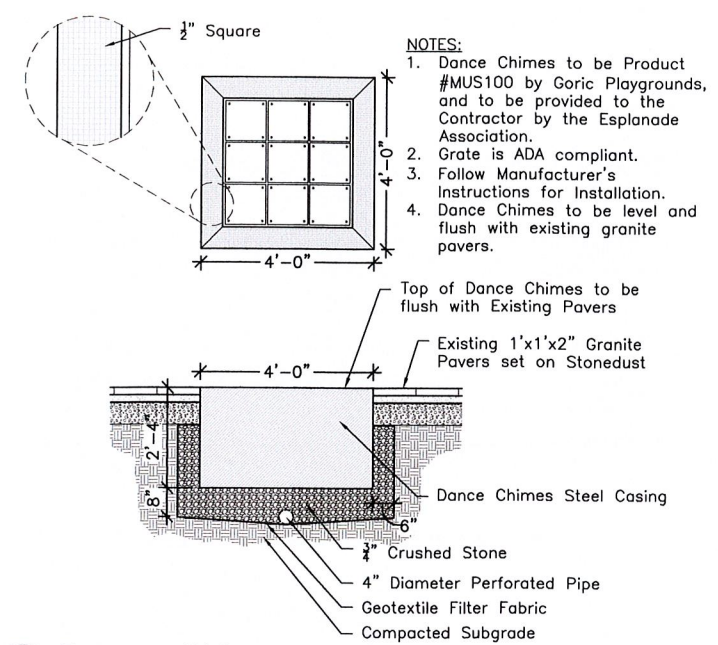


L2.0



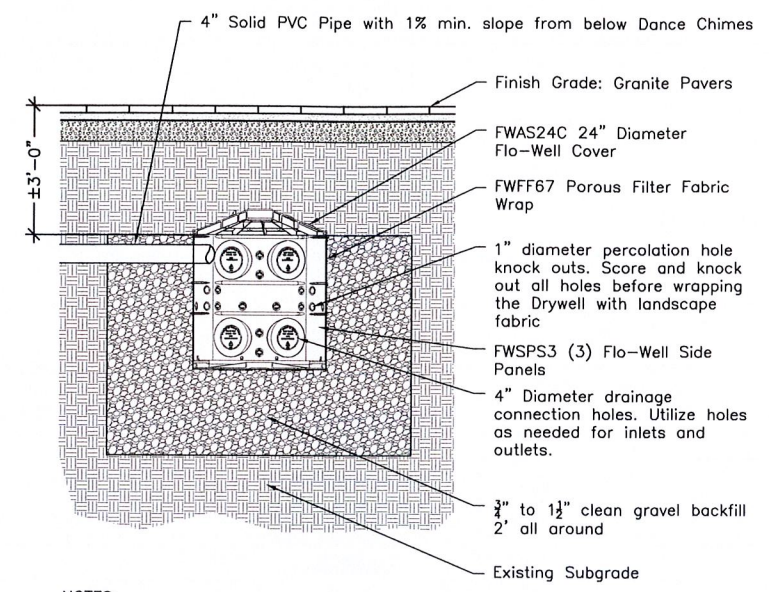
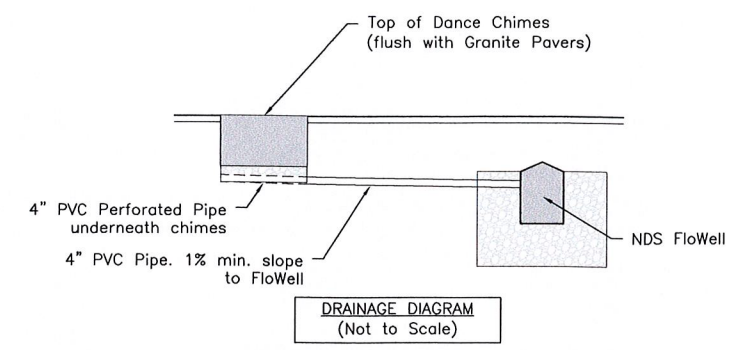
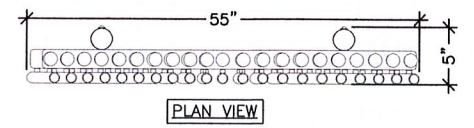
- NOTES:**
- AS BUILT NOTE: New replacement granite pavers are "Light Caledonia", supplied by Granitor, Saint-Augustin-de-Desmaures, QC G3A 1T4, Canada, ph. +1 418-878-3530.
 - Butt joint pavers and sweep joints with stone dust.
 - Sizes vary. See Plans.

1 Granite Pavers (New or Reset)
Scale: 1" = 1'-0"



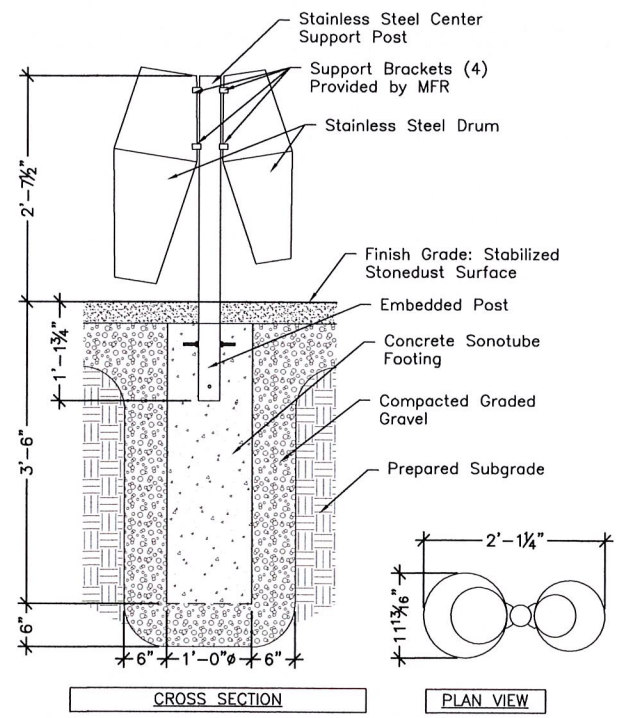
- NOTES:**
- Dance Chimes to be Product #MUS100 by Goric Playgrounds, and to be provided to the Contractor by the Esplanade Association.
 - Gate is ADA compliant.
 - Follow Manufacturer's Instructions for Installation.
 - Dance Chimes to be level and flush with existing granite pavers.

3 Dance Chimes - Installation Only
Scale: 1/2" = 1'-0"



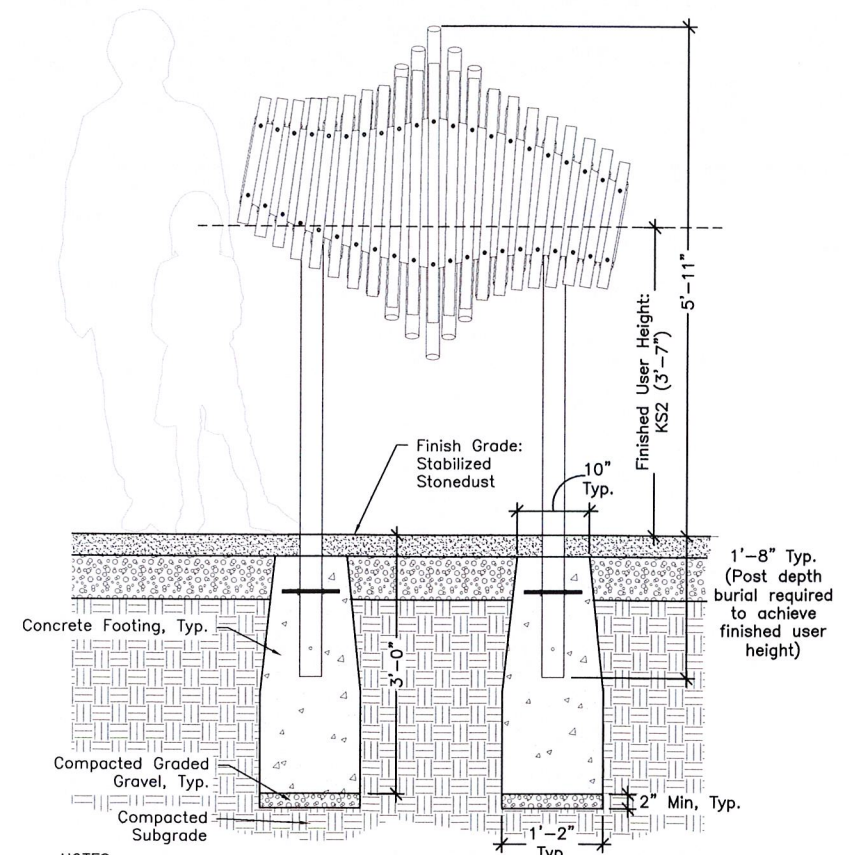
- NOTES:**
- System to be FWAS24 by NDS (www.ndspro.com).
 - System must be installed 10' away from any structure or foundation.
 - Installation to be completed in accordance with manufacturer's specifications.

5 Drywell System
Scale: 1/2" = 1'-0"



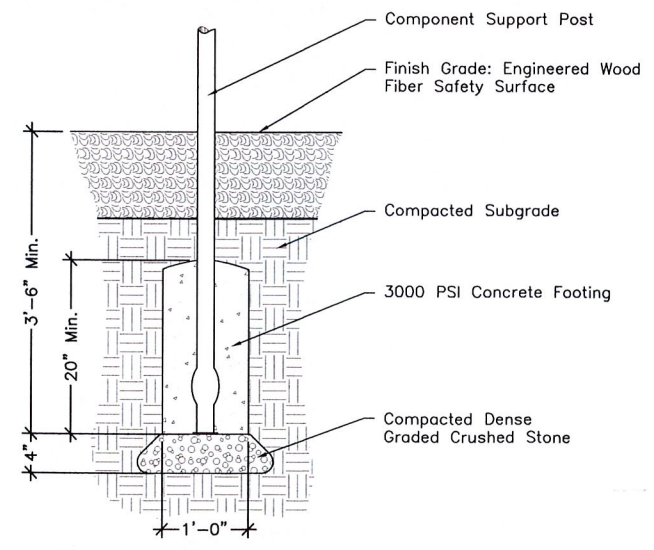
- NOTES:**
- Tumbadoras Drum to be an Embedded Mount Tumbadoras by Percussion Play Outdoor Musical Instruments, and to be provided to the contractor by the Esplanade Association.
 - Follow Manufacturer's instructions for installation.
 - Exact location of drums to be determined and approved in field with Landscape Architect.

2 Tumbadoras Drums - Installation Only
Scale: 1" = 1'-0"



- NOTES:**
- Sonora Chimes to be by Percussion Play, and to be provided to Contractor by the Esplanade Association.
 - Finished user height shall be KS2 (or 3'-7") for Ages 7-11.
 - Installation to be completed in accordance with Manufacturer's Specifications. (Sonora Chimes to be buried at the correct depth for KS2 users).
 - Exact location of chimes to be determined and approved in field with Landscape Architect.

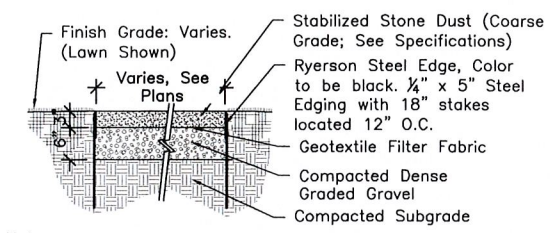
4 Sonora Chimes - Installation Only
Scale: 1" = 1'-0"



- NOTES:**
- Playventure Corkscrew (one total) and Playventure Firepoles (two total) to be by Landscape Structures, Inc. of Delano MI, and provided to Contractor by the Esplanade Association.
 - See Plans for locations.
 - Installation to be completed in accordance with Manufacturer's Specifications.

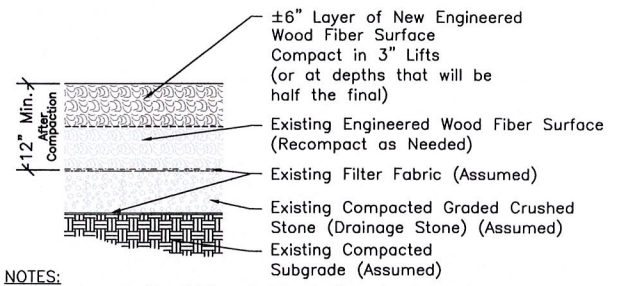
6 Post Footing for Corkscrew & Firepole Installation Only
Scale: 1" = 1'-0"





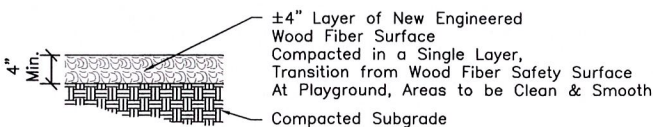
- Notes:**
1. Stone Dust to meet adjacent finish grade smoothly.
 2. See Specifications. Provide sample for approval.
 3. Steel Edge to be painted black. Submit Product Literature for Approval.

1 Stabilized Stonedust Paving with Steel Edge
 Scale: 3/4" = 1'-0"



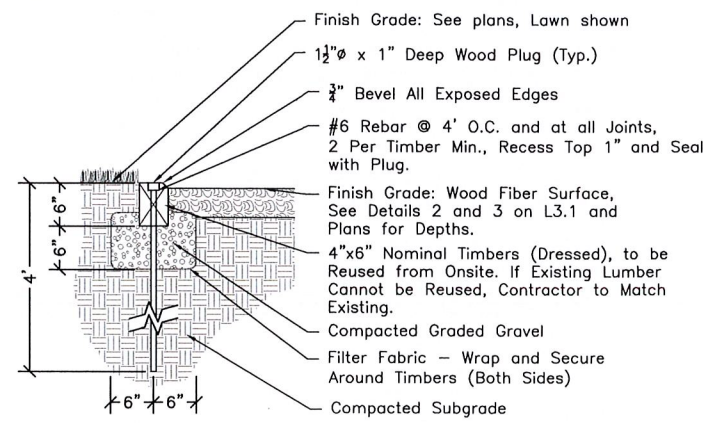
- NOTES:**
1. Engineered Wood Fiber Safety Surface is shown for intent only and is not in contract. Esplanade Association to provide and install at a later date.
 2. Engineered Wood Fiber Surface to meet federal code requirements for playgrounds.
 3. After compaction, wood surface to be flush with finish grades of existing timber edges and rubber safety surfacing.

2 Wood Fiber Safety Surfacing Not Included
 Scale: 1" = 1'-0"

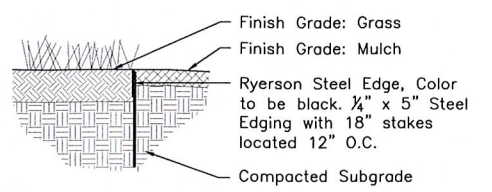


- NOTES:**
1. Engineered Wood Fiber Surface at benches is shown for intent only and is not in contract. Esplanade Association to provide and install at a later date.
 2. After compaction, wood surface to be flush with finish grades of existing timber edges.

3 Wood Fiber Surface at Benches Not Included
 Scale: 1" = 1'-0"

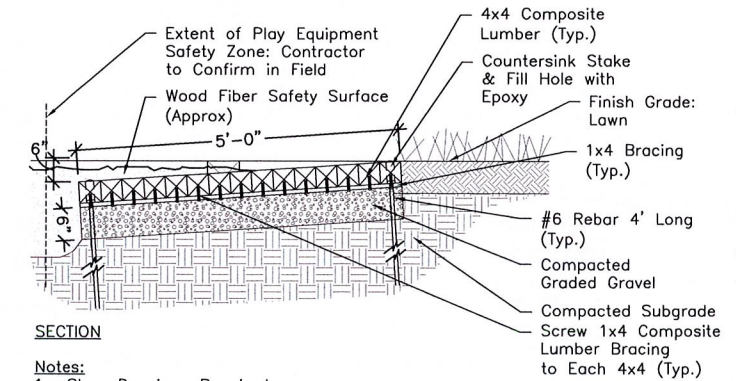


4 Timber Edge - 1 Course Deep
 Scale: 1" = 1'-0"



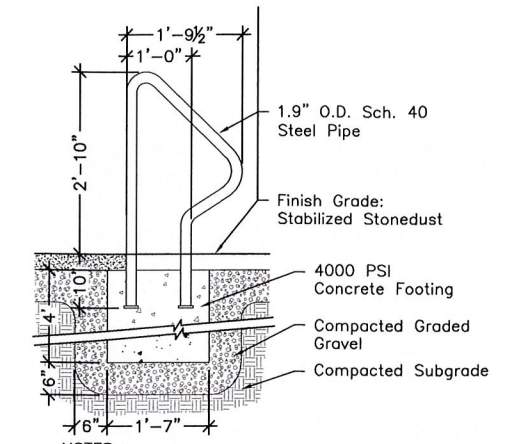
- Notes:**
1. Steel Edge to be painted black. Submit Product Literature for Approval.

5 Steel Edge
 Scale: 3/4" = 1'-0"



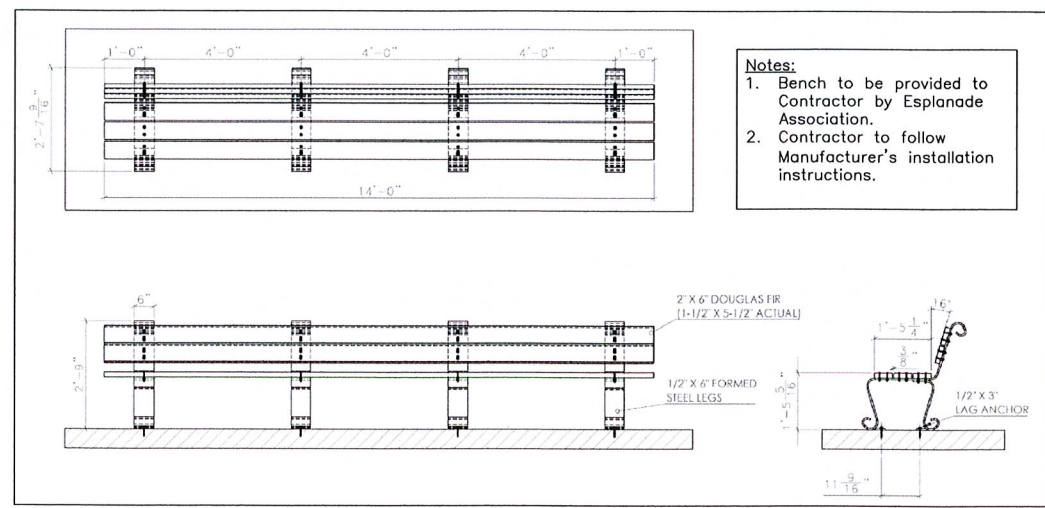
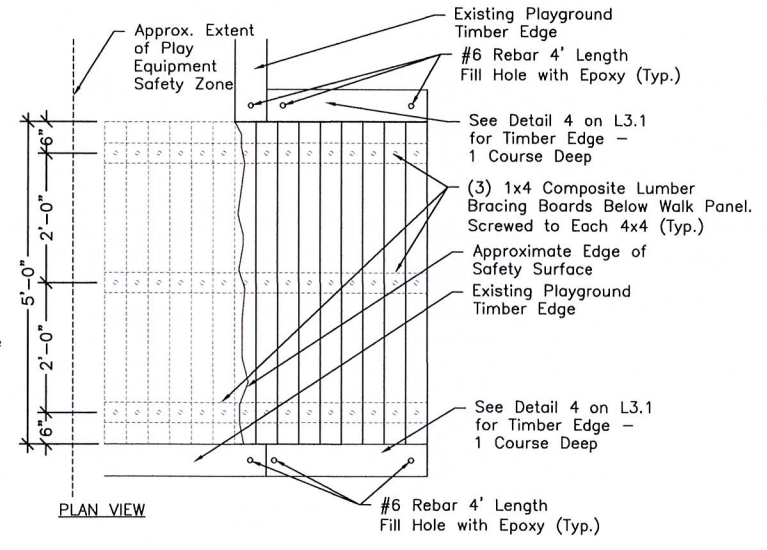
- SECTION**
- Notes:**
1. Shop Drawings Required.
 2. Composite lumber members shall be HDPE Recycled Plastic Lumber with at least 85% recycled content, "Select" by Bedford Technology, 2424 Armour Road, PO Box 609, Worthington, MN 56187-0609, Phone (507) 372-5558, or Approved Equal. Walk panel designed to accommodate 75 PSF Live Load. Decking to have Simulated Wood Grain Top Surface.
 3. Sloped Walk Panel shall not encroach on play equipment safety zones.
 4. New 6x6 Timber edges to be ACQ pressure treated lumber. DO NOT USE lumber treated with CCA.
 5. All hardware to be stainless steel.

7 Composite Lumber Sloped Walk Panel
 Scale: 3/4" = 1'-0"



- NOTES:**
1. Bike Rack to be Embedded Mount Swerve Bike Rack by Dero Bike Racks, of Fridley, MN. Or Approved Equal.
 2. Bike rack to be hot dip galvanized steel. Color to be black.
 3. Submit product literature for approval by Landscape Architect prior to ordering.
 4. Follow all Manufacturer's installation instructions and specifications.

6 Bike Rack on Stonedust
 Scale: 3/4" = 1'-0"



- Notes:**
1. Bench to be provided to Contractor by Esplanade Association.
 2. Contractor to follow Manufacturer's installation instructions.

8 Standard Wood and Metal Bench - Installation Only
 NO SCALE



ESPLANADA STONEMAN
PLAYGROUND
BOSTON, MA

M.E. O'BRIEN & SONS, INC.
PRESALE #:1156195-01-06

SCALE 1/4" = 12"

NOTE: NOT TO SCALE IF PLAN
IS REPRODUCED OR COPIED.

IT IS THE MANUFACTURERS OPINION AND
INTENT THAT THE USE AND LAYOUT OF
THESE COMPONENTS CONFORM WITH THE
AMERICAN SOCIETY FOR TESTING AND
MATERIALS (ASTM) STANDARD ASTM F1487.

THIS PLAY AREA & EQUIPMENT IS
DESIGNED FOR AGES: 5-12 YEARS
UNLESS OTHERWISE NOTED ON PLAN.

PLEASE REFERENCE THE PRESALE
DRAWING LISTED ABOVE FOR COMPLIANCE
TO THE AMERICANS WITH DISABILITIES ACT
ACCESSIBILITY GUIDELINES (ADAAG). IF
NONE PROVIDED, PLEASE CONTACT YOUR
LOCAL SALES REPRESENTATIVE.

CONCRETE FOOTINGS ARE REQUIRED ON
ALL IN-GROUND COMPONENTS. ALL
FOOTING SPECIFICATIONS ASSUME FIRM,
LEVEL, AND STABLE SOIL CONDITIONS.

CHOOSE A PROTECTIVE SURFACING
MATERIAL THAT HAS A CRITICAL HEIGHT
VALUE OF AT LEAST THE HIGHEST
ACCESSIBLE PART/FALL HEIGHT OF THE
ADJACENT EQUIPMENT. (REF. CONSUMER
PRODUCT SAFETY COMMISSION (CPSC)
GUIDELINES, SECTION 10: SURFACING.)

PLAYBOOSTER

ORDER #:
P0141380-01-02

DRAWING #:
PQ-00125023 A

ENGINEERED BY: AMV
COPYRIGHT DATE: 6/15/22
LANDSCAPE STRUCTURES, INC.

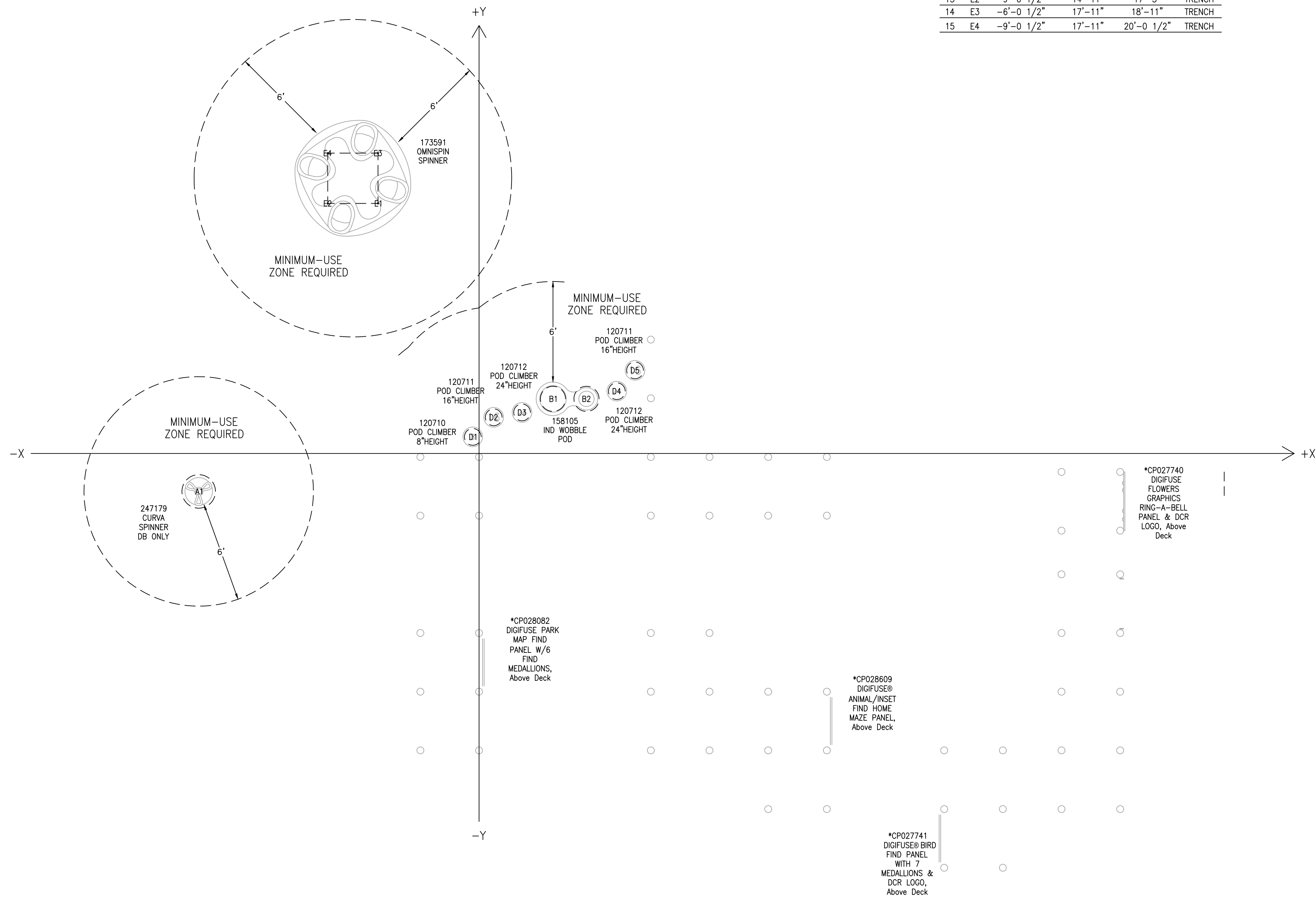
DATE/INITIALS	REVISION DESCRIPTION

601 7th. STREET SOUTH
DELANO, MINNESOTA 55328
PH: 1-888-LSI4HLP
(1-888-574-4457)
FAX: 1-763-972-3185

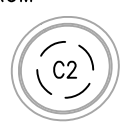


PlayBooster® and Parts
(5-12 years)

N.	I.D.	X (ft-in)	Y (ft-in)	Dist. to 0	DIA (in)
1	A1	-16'-8 1/2"	-2'-3"	16'-10 1/2"	24
2	A2	68'-4 1/2"	13'-1 1/2"	69'-7 1/2"	24
3	B1	4'-5"	3'-3"	5'-6"	18
4	B2	6'-5"	3'-3"	7'-2 1/2"	18
5	C1	71'-2"	-27'-1 1/2"	76'-2"	14
6	C2	76'-5"	-24'-10"	80'-4"	14
7	D1	-4 1/2"	1'	1'-0 1/2"	12
8	D2	10 1/2"	2'-2"	2'-4"	12
9	D3	2'-7"	2'-5 1/2"	3'-6 1/2"	12
10	D4	8'-2 1/2"	3'-8 1/2"	9'-0 1/2"	12
11	D5	9'-3 1/2"	4'-11 1/2"	10'-6 1/2"	12
12	E1	-6'-0 1/2"	14'-11"	16'-1"	TRENCH
13	E2	-9'-0 1/2"	14'-11"	17'-5"	TRENCH
14	E3	-6'-0 1/2"	17'-11"	18'-11"	TRENCH
15	E4	-9'-0 1/2"	17'-11"	20'-0 1/2"	TRENCH



214445
KETTLE
DRUM



214444
KUNDU
DRUM

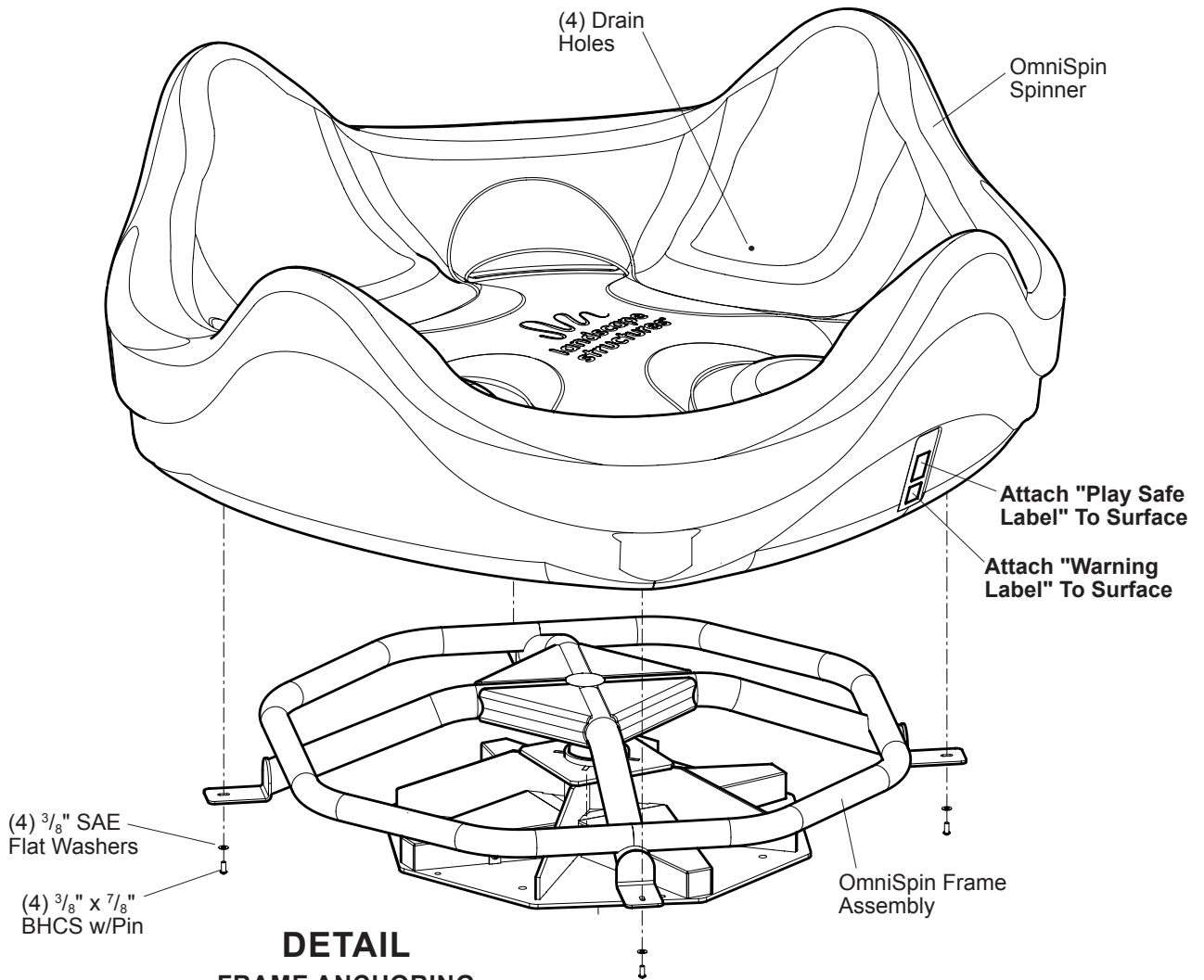


*CP027740
DIGIFUSE
FLOWERS
GRAPHICS
RING-A-BELL
PANEL & DCR
LOGO, Above
Deck

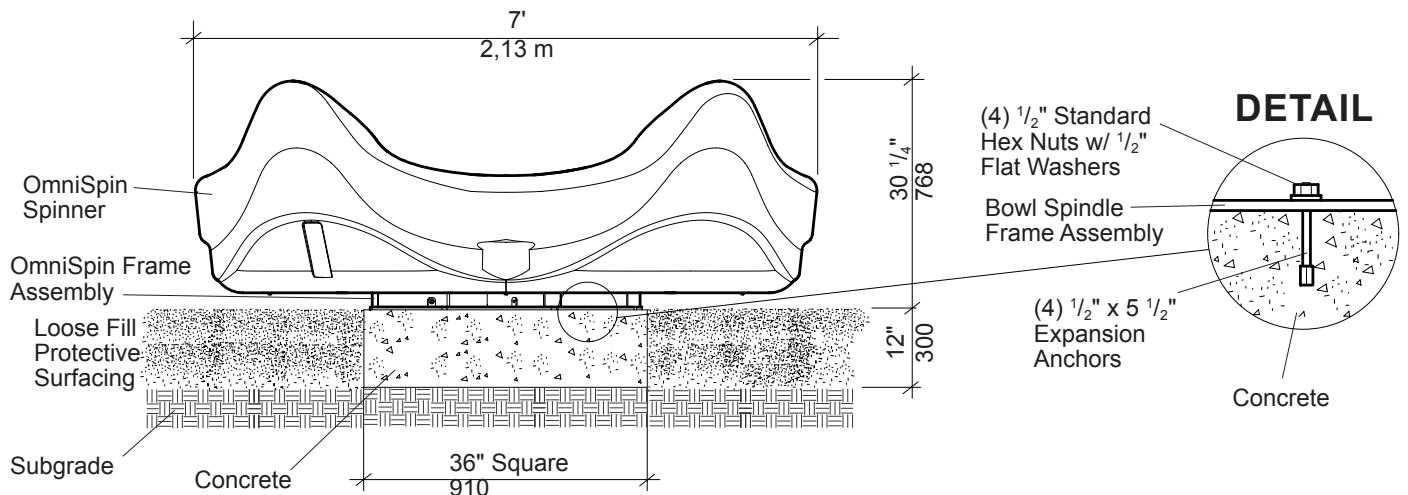
*CP028082
DIGIFUSE PARK
MAP FIND
PANEL W/6
FIND
MEDALLIONS,
Above Deck

*CP028609
DIGIFUSE®
ANIMAL/INSET
FIND HOME
MAZE PANEL,
Above Deck

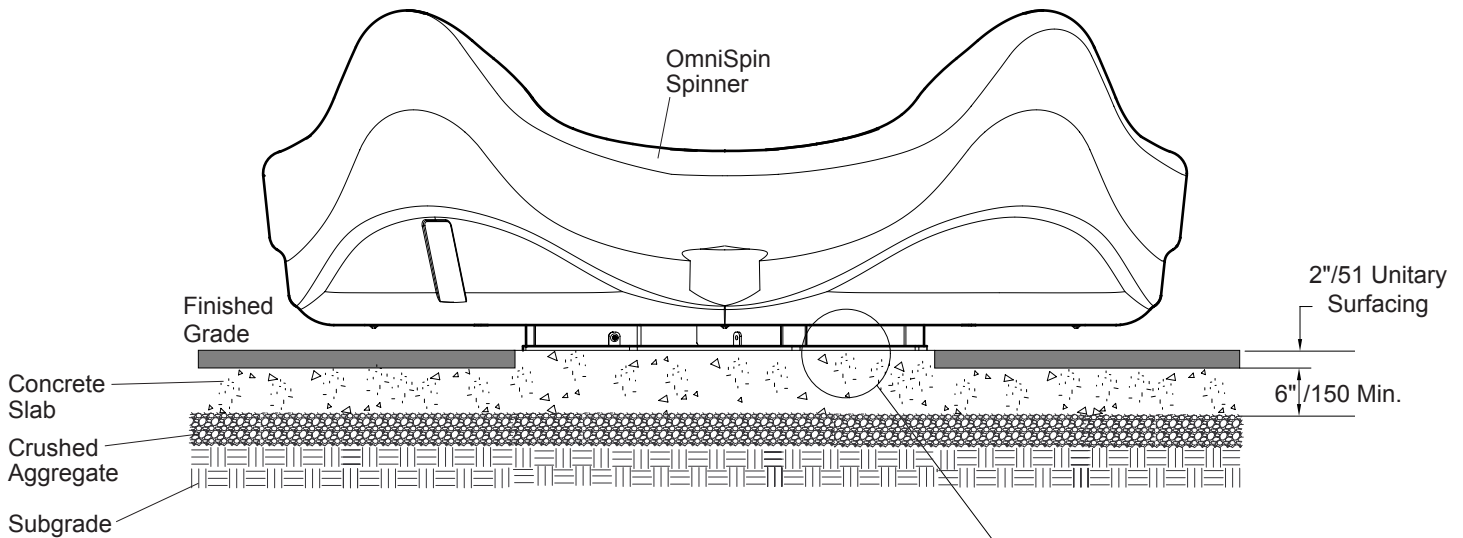
*CP027741
DIGIFUSE® BIRD
FIND PANEL
WITH 7
MEDALLIONS &
DCR LOGO,
Above Deck



DETAIL
FRAME ANCHORING

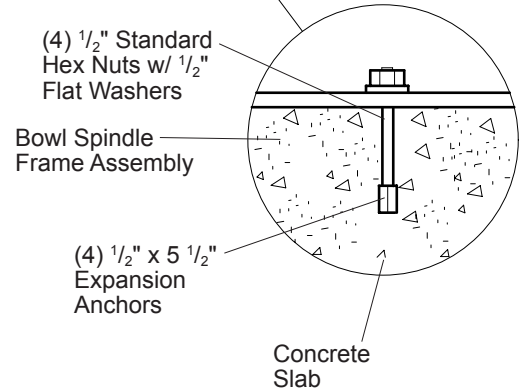


Unitary Surfacing



NOTE: When using unitary surfacing on crushed aggregate, refer to Frame Anchoring Detail for loose fill protective surfacing.

DETAIL





Kids in Motion 173591 OmniSpin® Spinner

Parts List

Part#	Description	Qty.
171060	OmniSpin Spinner, Specify Color.....	1
171061	OmniSpin Spinner Frame Assy., Black.....	1
183892	OmniSpin Spinner Hardware Package	1
100196	3/8" x 7/8" BHCS w/Pin, SST.....	4
100365	3/8" SAE Flat Washer, SST.....	4
156846	Play Safe Label, 2-12 Years.....	1
183064	Warning Label	1
175599	4 Hole (SM) Hardware Package	1
100271	1/2" x 5 1/2" Expansion Anchor w/Nut/Washer.....	4

SM = Surface Mount

Specifications

OmniSpin Spinner: Rotationally molded from U.V. stabilized linear low density polyethylene, color specified.

OmniSpin Spinner

Frame Assembly: (Frame) Weldment comprised of 2.375" O.D. RS20 (.095"-.105" wall) galvanized steel tubing, 2.875" O.D. RS40 (.160"-.170" wall) galvanized steel tubing, 1/4" HR flat steel and 3 1/2" O.D. CF steel bar. (Base) Weldment comprised of 3/8" HRPO sheet steel and 3/16" HRPO sheet steel. (Shock Covers) 16 GA (.060") HRPO sheet steel. (Crank Arms & Pins) Fabricated from stainless steel. (Shocks) Gas shocks with fixed bearings. Finish: ProShield®, black in color.

Fasteners: Primary fasteners shall be socketed and pinned tamperproof in design, stainless steel (SST) per ASTM F 879 unless otherwise indicated (see specific product installation/specifications).

Installation Time: (Direct Bury) Concrete Footing - 2 People approx. 3 hours
 Assembly - 3 People 1 hour

Concrete: (Direct Bury) 9 cu. ft.

Weight: 499 lbs.

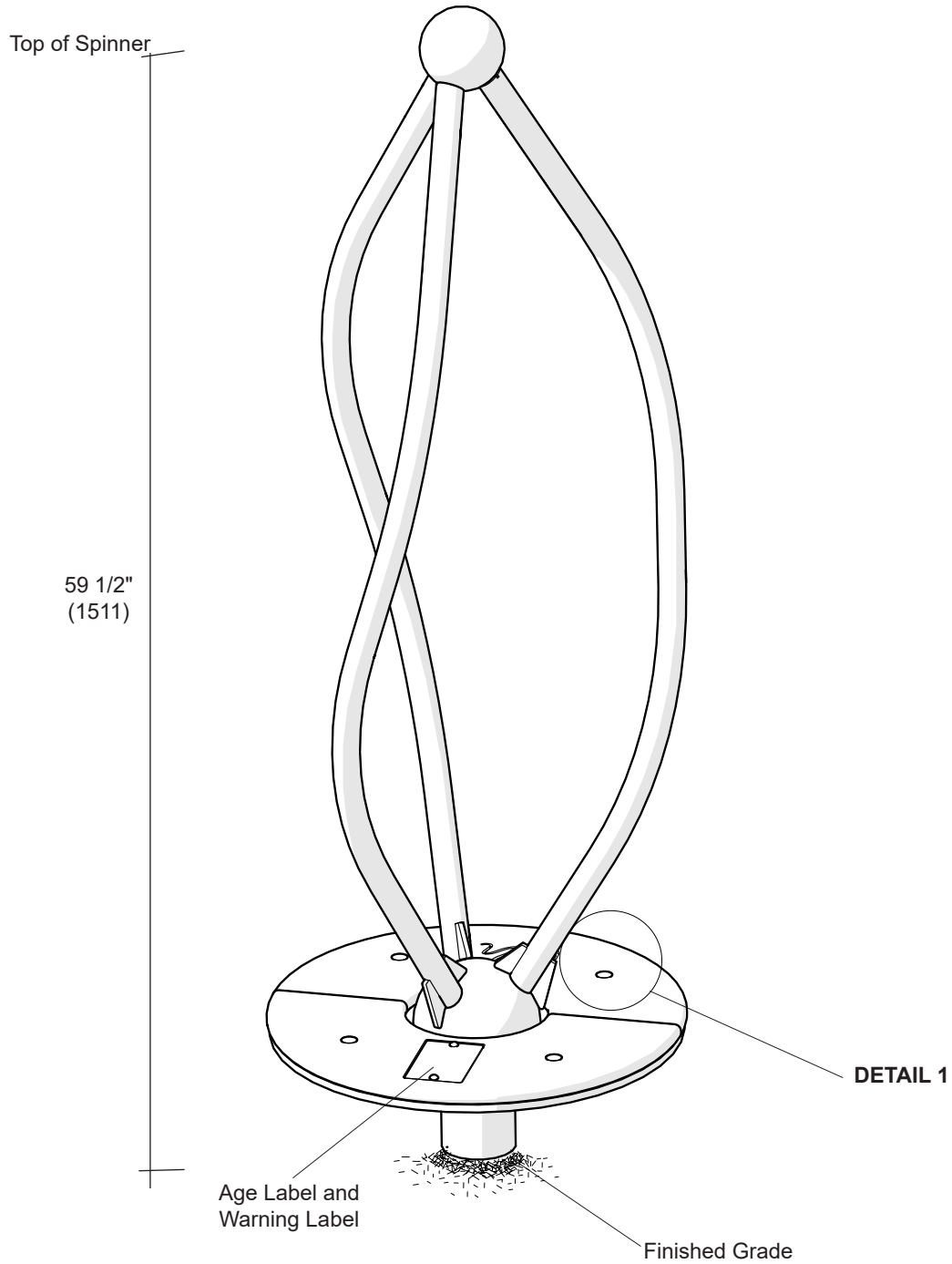
Actual Size: 7' x 7' (2,13 m x 2,13 m)

Area Required: 19' (5,79 m) Diameter ASTM

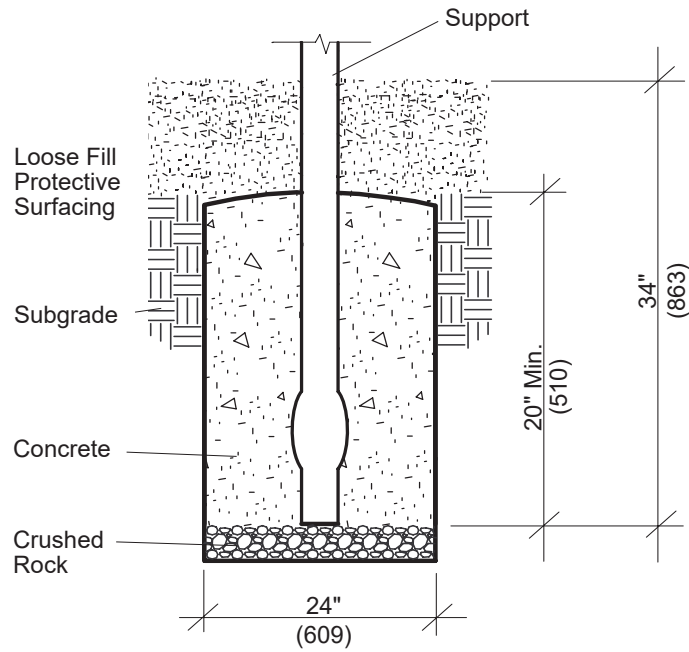
Fall Height: 18" (460 mm)

Installation Instructions

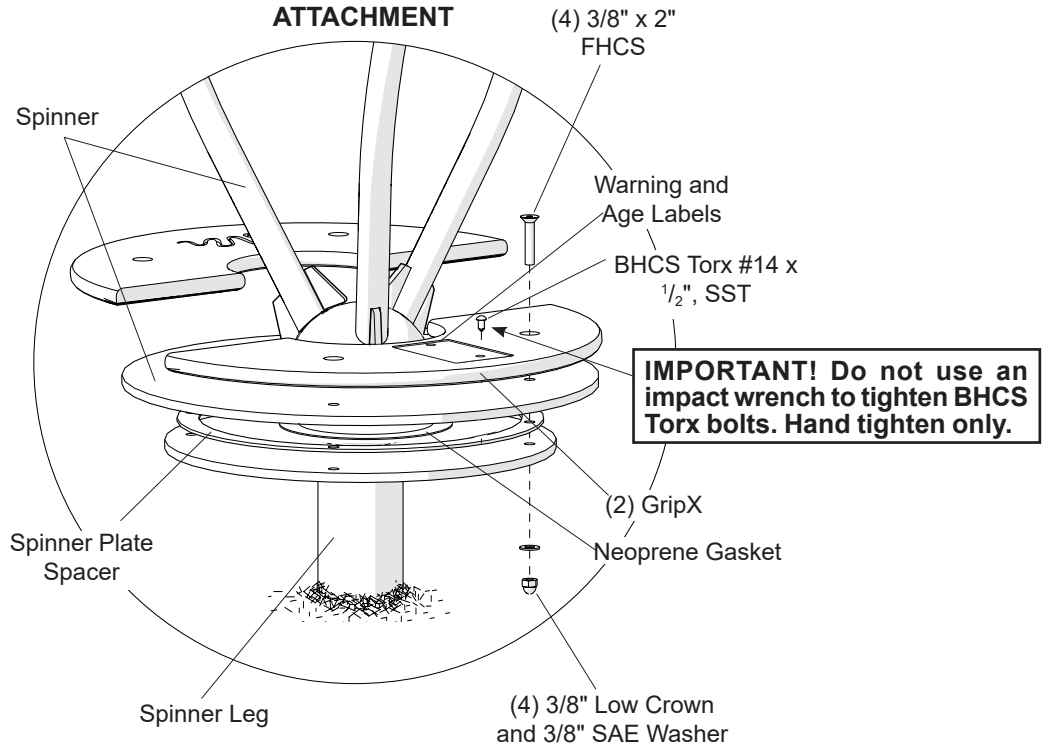
- 1) **(Direct Bury)** Build and pour concrete footing. Refer to Frame Anchoring Details. Allow concrete footing to cure for a minimum of 72 hours before continuing.
- 2) With OmniSpin Spinner frame in position, drill through 4 outside holes in OmniSpin Spinner frame 5 1/2" deep into concrete slab, using 1/2" masonry bit and hammer drill. Refer to the Frame Anchoring Detail.
- 3) Tap 1/2" x 5 1/2" expansion anchors into drilled holes and secure using 1/2" standard hex nuts with 1/2" flat washers. Refer to the Frame Anchoring Details.
- 4) Attach OmniSpin Spinner to OmniSpin Spinner frame, using 3/8" x 7/8" BHCS w/pin and 3/8" SAE flat washers.
- 5) Apply labels as shown.
- 6) Install protective surfacing before users are allowed to play on the component.



**DETAIL
DIRECT BURY**



**DETAIL 1
ATTACHMENT**



Parts List

Part#	Description	Qty.
275826	Twisted Spinner Weldt, Specify Color	1
245984	Spinner GripX, Black	1
246071	Spinner Leg W/Bearing Housing ASM, Specify Color. 1	
250541	Spinner Plate Spacer, Black.....	1
249181	Spinner GripX w/Label, Black.....	1
259476	Neoprene Gasket 12".....	1
259532	Hdw Pkg Curva™ Spinner.....	1
116695	FHCS 3/8" x 2" SST.....	4
100349	Nut L/C Cap 3/8"-16 SST.....	4
100365	Washer Flat SAE 3/8" SST.....	4
129671	BHCS Torx #14 x 1/2", SST.....	2
249825	Warning Label 5-12.....	1

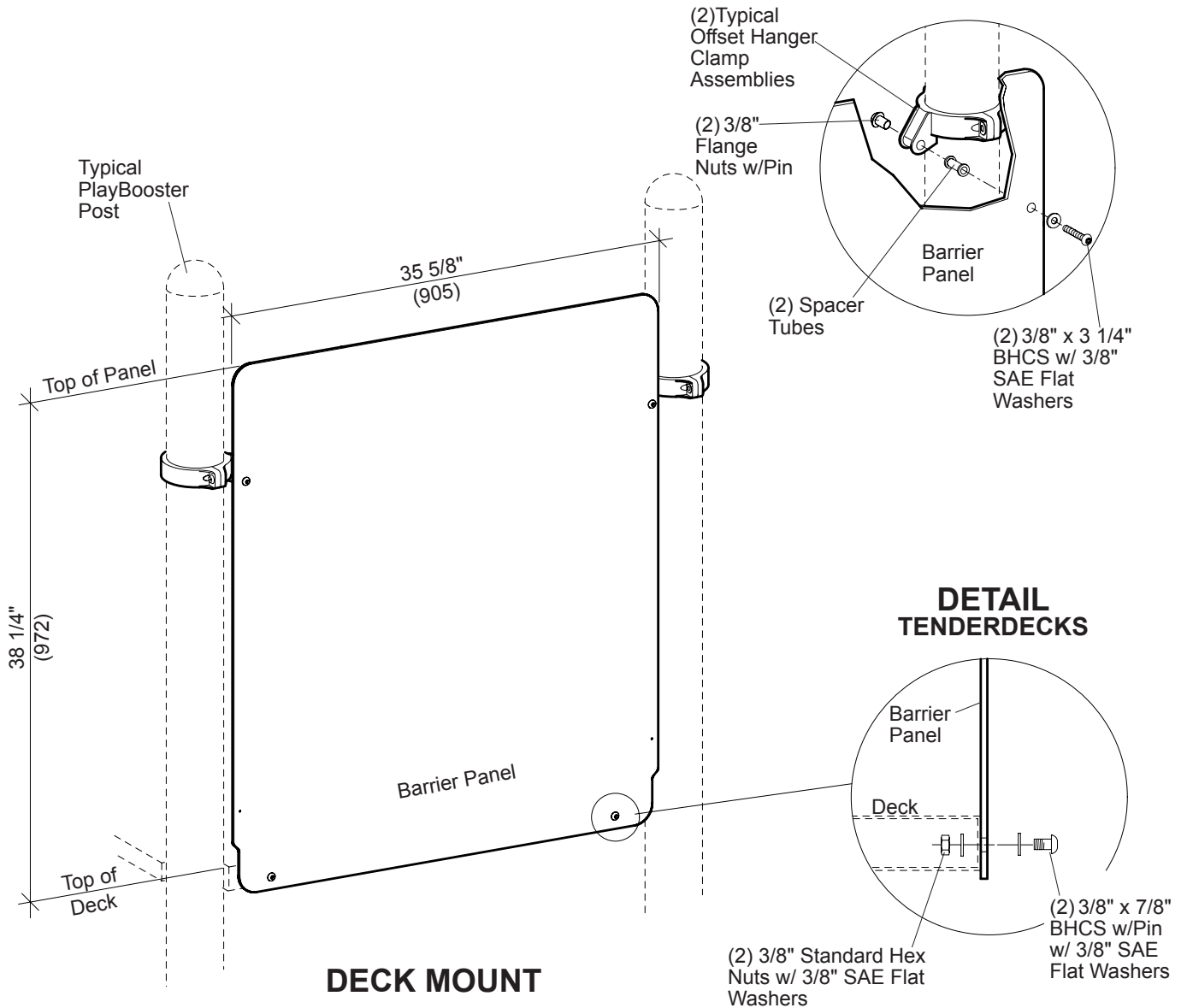
Specifications

Spinner Post:	Weldment comprised of 1.315" O.D. 10 Ga. (.120"-.146") steel tubing, 6" O.D. Sphere (.135" wall) and 4" O.D. STC Ball (.135" Wall). 3/8" HRPO flat steel. Finish: ProShield®, color specified.
Standing Post Assy:	(Spinner Post) Weldment comprised of 3.50" O.D. 8GA (.149"-.182" wall) galvanized steel tubing, 2.00" O.D. steel shaft, 12 Ga. (.105") HR flat steel, and 1144 steel collar. Finish: ProShield, color specified. (Sleeve/Plate) Weldment comprised of 3/8" sheet HRPO steel and 3.500" O.D. schedule 80 steel tubing. Finish: ProShield®, color specified.
Neoprene Gasket:	Multipurpose Neoprene Rubber 1/4" Thick, 60A Durometer
Fasteners:	Primary fasteners shall be socketed and pinned tamperproof in design, stainless steel (SST) per ASTM F 879 unless otherwise indicated (see specific product installation/specifications).
Spinner Perm:	Recycled permalene, black in color.
Installation Time:	Approx. 1 man hour
Concrete Req.:	Approx. 5.2 cu. ft.
Area Req.:	14' (4.27 m) diameter
Min. Use Zone:	6' (1.82 m) minimum use zone
Weight:	117 lbs.
Fall Height:	9" (228 mm)

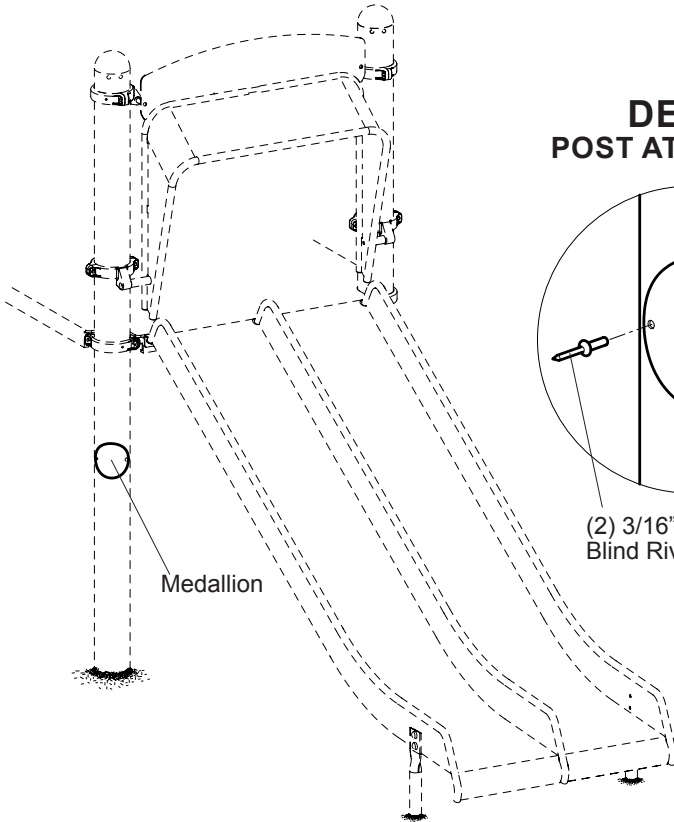
Installation Instructions

- 1) Dig footing as shown. Refer to the Direct Bury Detail.
- 2) Attach spinner post to spinner leg using (4) 3/8" x 2" FHCS and (4) 3/8" Low Crown and 3/8" SAE Washer as shown. Place neoprene gasket and spinner spacer plate.
- 3) Position spinner in footing hole and pour concrete footing. With spinner post plumb, prop to hold in position. Allow concrete to cure a minimum of 72 hours before users are allowed to play on the structure.
- 4) Attach label using #14 x 1/2" BHCS Torx.
- 5) Install protective surfacing before users are allowed to play on the structure.

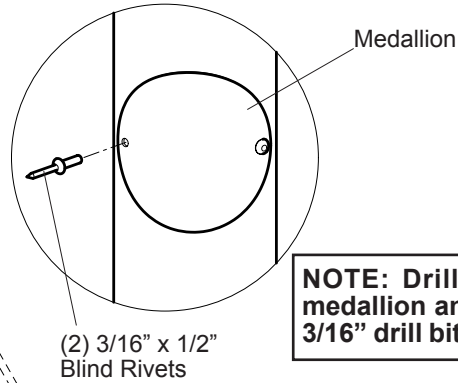
**DETAIL
BARRIER ATTACHMENT**



NOTE: Due to the possibility of scratching, it is important to leave packaging on barrier panel until immediately prior to installation.



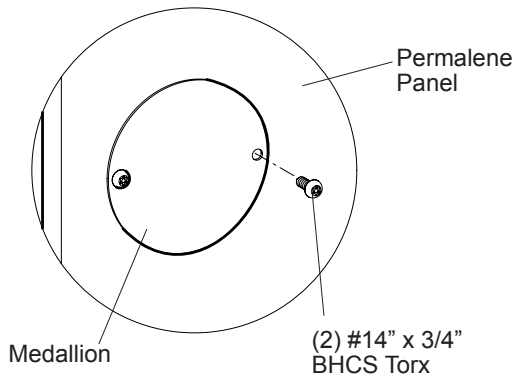
**DETAIL
POST ATTACHMENT**



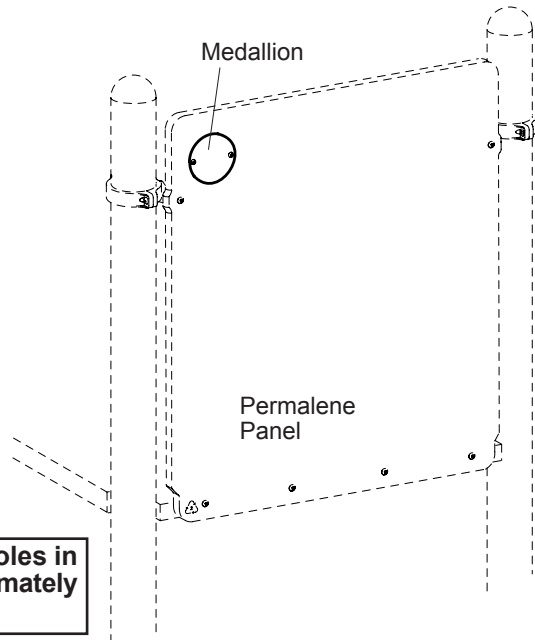
NOTE: Drill through holes in medallion and into post using a 3/16" drill bit, then insert rivets.

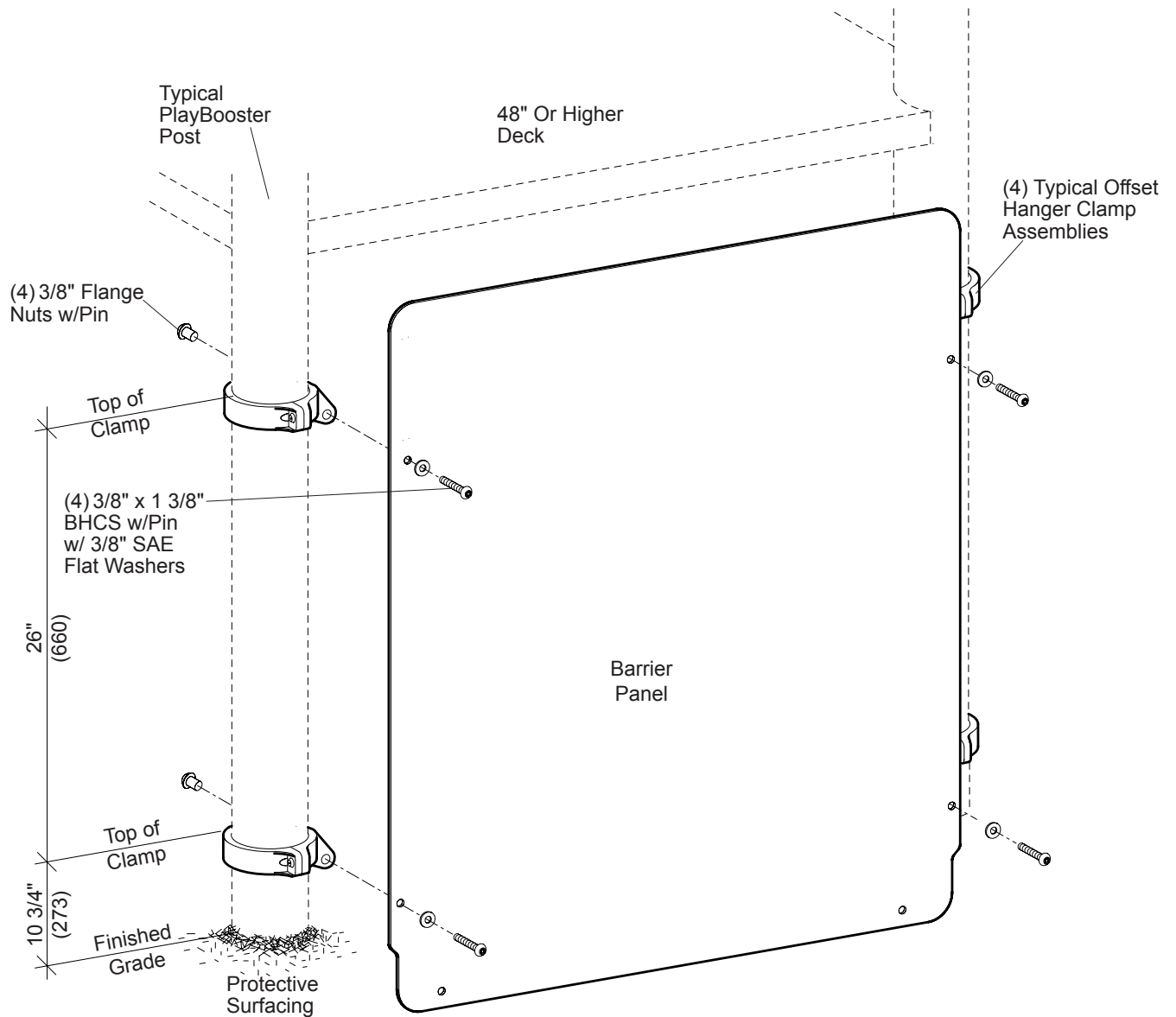
NOTE: Attach medallions to posts and Permalene® panels in various locations throughout the playground. Two examples of where medallions could be attached are shown.

**DETAIL
PERMALENE® PANEL
ATTACHMENT**



NOTE: Using a 1/8" drill bit, drill through holes in medallion and into Permalene panel approximately 1/4", then insert #14 x 3/4" BHCS Torx.





BELOW DECK MOUNT

NOTE: Due to the possibility of scratching, it is important to leave packaging on barrier panel until immediately prior to installation.



PlayBooster® 218172 Digifuse Barrier w/Medallions

Parts List

Part#	Description	Qty.
ABOVE DECK		
100610	1/4" x 5/8" Drive Rivet, AL/SST	2
105327	5" Half Clamp, Specify Color	2
113468	Spacer Tube, Specify Color	2
113729	Offset Hanger Clamp, Specify Color	2
218151	Animal Tracks Digifuse Barrier Panel w/Medallions ...	*
218158	Insects Digifuse Barrier Panel w/Medallions	*
218165	Camping Digifuse Barrier Panel w/Medallions	*
220945	Animal Tracks Medallion Set	*
218152	1 Gray Wolf Digifuse Medallion	1
218153	2 Deer Digifuse Medallion	1
218154	3 Coyote Digifuse Medallion	1
218155	4 Beaver Digifuse Medallion	1
218156	5 Wild Turkey Digifuse Medallion	1
218157	6 Black Bear Digifuse Medallion	1
220946	Insects Medallion Set	*
218159	1 Dragonfly Digifuse Medallion	1
218160	2 Butterfly Digifuse Medallion	1
218161	3 Bee Digifuse Medallion	1
218162	4 Ladybug Digifuse Medallion	1
218163	5 Spider Digifuse Medallion	1
218164	6 Caterpillar Digifuse Medallion	1
220947	Camping Medallion Set	*
218166	1 Sightsee Digifuse Medallion	1
218167	2 Canoe Digifuse Medallion	1
218168	3 Forest Digifuse Medallion	1
218169	4 Fish Digifuse Medallion	1
218170	5 Picnic Digifuse Medallion	1
218171	6 Camper Digifuse Medallion	1
218176	Above Deck Hardware Package	1
100168	3/8" x 3 1/4" BHCS, SST	2
100196	3/8" x 7/8" BHCS w/Pin, SST	2
100198	3/8" x 1 1/8" BHCS w/Pin, SST	4
100327	3/8" Standard Hex Nut, SST	2
100351	3/8" Tee Nut, SST	4
100353	3/8" Flange Nut w/Pin, SST	2
100365	3/8" SAE Flat Washer, SST	6
220909	Digifuse Medallions Hardware Package	*
100607	3/16" x 1/2" Blind Rivet, SST	6
127463	T-27 TPP Hex Bit (Torx)	1
216760	#14 x 3/4" BHCS Torx, SST	6

* = Quantity Based On Your Order

Parts List

Part#	Description	Qty.
BELOW DECK		
100610	1/4" x 5/8" Drive Rivet, AL/SST	4
105327	5" Half Clamp, Specify Color	4
113729	Offset Hanger Clamp, Specify Color	4
218151	Animal Tracks Digifuse Barrier Panel w/Medallions ...	*
218158	Insects Digifuse Barrier Panel w/Medallions	*
218165	Camping Digifuse Barrier Panel w/Medallions	*
220945	Animal Tracks Medallion Set	*
218152	1 Gray Wolf Digifuse Medallion	1
218153	2 Deer Digifuse Medallion	1
218154	3 Coyote Digifuse Medallion	1
218155	4 Beaver Digifuse Medallion	1
218156	5 Wild Turkey Digifuse Medallion	1
218157	6 Black Bear Digifuse Medallion	1
220946	Insects Medallion Set	*
218159	1 Dragonfly Digifuse Medallion	1
218160	2 Butterfly Digifuse Medallion	1
218161	3 Bee Digifuse Medallion	1
218162	4 Ladybug Digifuse Medallion	1
218163	5 Spider Digifuse Medallion	1
218164	6 Caterpillar Digifuse Medallion	1
220947	Camping Medallion Set	*
218166	1 Sightsee Digifuse Medallion	1
218167	2 Canoe Digifuse Medallion	1
218168	3 Forest Digifuse Medallion	1
218169	4 Fish Digifuse Medallion	1
218170	5 Picnic Digifuse Medallion	1
218171	6 Camper Digifuse Medallion	1
139528	Below Deck Hardware Package	1
100198	3/8" x 1 1/8" BHCS w/Pin, SST	8
100351	3/8" Tee Nut, SST	8
100353	3/8" Flange Nut w/Pin, SST	4
100365	3/8" SAE Flat Washer, SST	4
113027	3/8" x 1 3/8" BHCS w/Pin, SST	4
220909	Digifuse Medallions Hardware Package	*
100607	3/16" x 1/2" Blind Rivet, SST	6
127463	T-27 TPP Hex Bit (Torx)	1
216760	#14 x 3/4" BHCS Torx, SST	6

* = Quantity Based On Your Order

Specifications

DigiFuse

Barrier Panel: Made from 1/4" (6,35 mm) thick aluminum sheet. Dye sublimation printed digital artwork is fused onto the powdercoated substrate.

Medallion Plate: Made from .063" (1,60 mm) thick aluminum plate, 4" (101 mm) in diameter. Finish: ProShield®, white in color with a clear coat finish.

Spacer Tube: Made from 6061-T6 aluminum 7/8" (22,22 mm) O.D. x 1 11/16" (42,84 mm). Finish: ProShield, color specified.

Clamp: Cast aluminum. Finish: ProShield, color specified.

Fasteners: Primary fasteners shall be socketed and pinned tamperproof in design, stainless steel (SST) per ASTM F 879 unless otherwise indicated (see specific product installation/specifications).

Installation Time: Above Deck Approx. 1 1/4 man hours
Below Deck Approx. 1 1/2 man hours

Weight: Above Deck 43 lbs.
Below Deck 46 lbs.

Installation Instructions

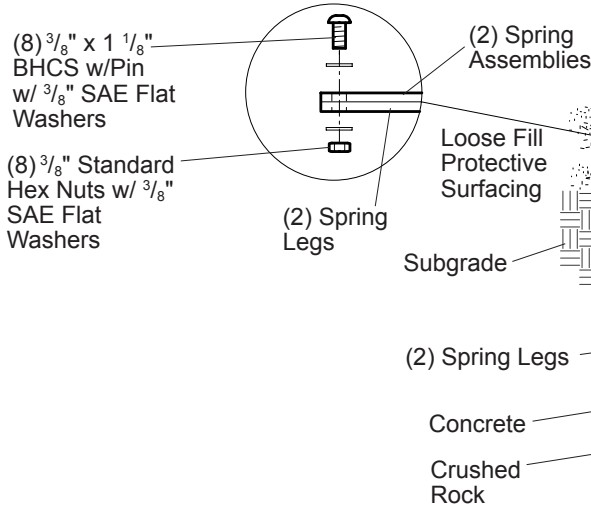
ABOVE DECK (See Sheet 1)

- 1) Attach barrier panel to the face of the deck. Refer to the Tenderdeck Detail on sheet 1.
- 2) Attach offset hanger clamps to barrier panel. See Barrier Attachment Detail.
- 3) Attach offset hanger clamps to posts, using half clamps and 3/8" x 1 1/8" BHCS w/pin with 3/8" tee nuts. Refer to the Typical Offset Hanger Clamp Spec Sheet.
- 4) Attach medallions to posts and Permalene panels in various locations through out the playground. Refer to Attachment Details on sheet 2.
- 5) Install 1/4" x 5/8" drive rivets in all 5" half clamps. Refer to the Typical Offset Hanger Clamp Spec Sheet.
- 6) Install protective surfacing before users are allowed to play on the structure.

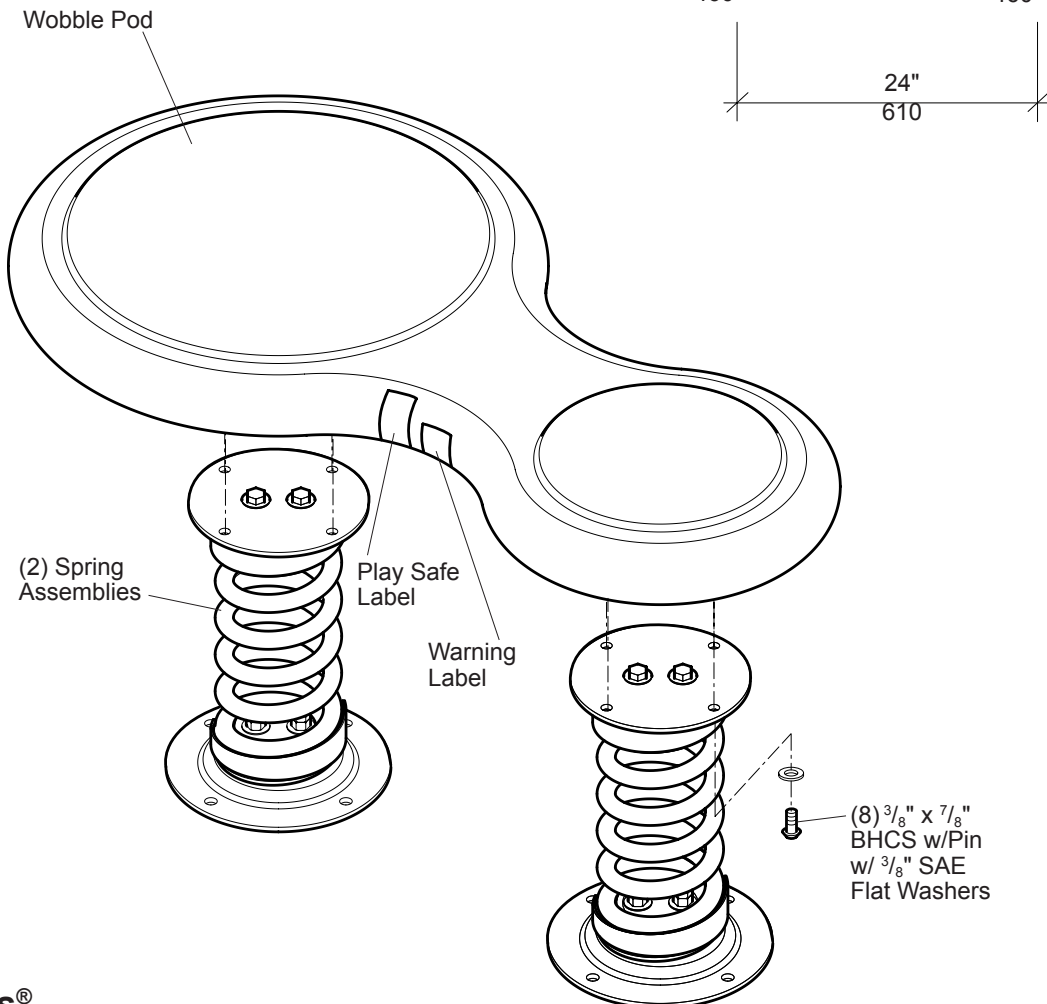
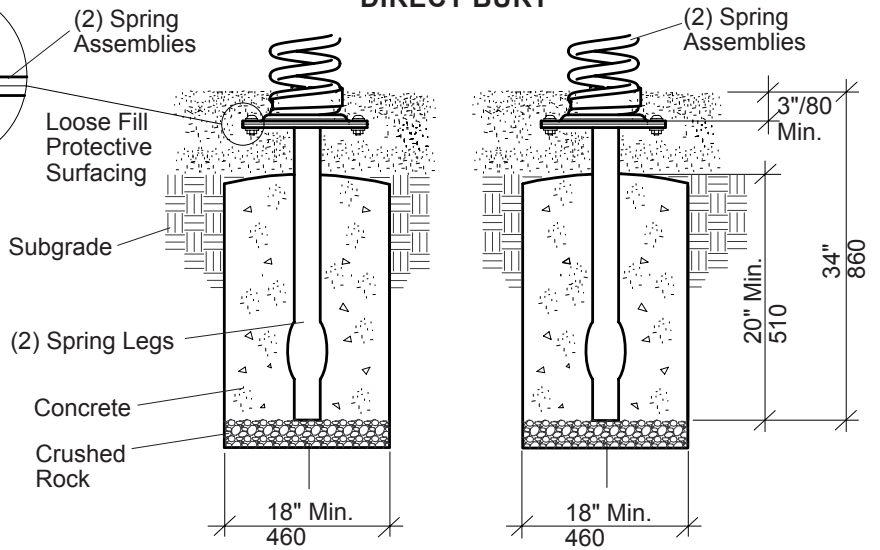
BELOW DECK (See Sheet 3)

- 1) Attach offset hanger clamps to posts at heights shown, using half clamps and 3/8" x 1 1/8" BHCS w/pin with 3/8" tee nuts. Refer to the Typical Offset Hanger Clamp Spec Sheet.
- 2) Drill out the lower two pilot holes in barrier panel to 7/16" diameter. Spray holes with touch-up paint provided to avoid corrosion.
- 3) Attach barrier panel to offset hanger clamp assemblies. See Panel Attachment Detail.
- 4) Attach medallions to posts and Permalene® panels in various locations through out the playground. Refer to Attachment Details on sheet 2.
- 5) Install 1/4" x 5/8" drive rivets in all 5" half clamps. Refer to the Typical Offset Hanger Clamp Spec Sheet.
- 6) Install protective surfacing before users are allowed to play on the structure.

DETAIL
SPRING LEG ATTACHMENT



DETAIL
DIRECT BURY



Evos®
Kids In Motion

156452 Wobble Pod® Bouncer



Evos® Kids In Motion 156452 Wobble Pod® Bouncer

Parts List

Part#	Description	Qty.
115154	Spring Leg, Specify Color.....	2
154631	Wobble Pod, Specify Color.....	1
156913	Spring Assembly w/Plates, Specify Color.....	2
184632	Wobble Pod Hardware Package	1
100196	³ / ₈ " x ⁷ / ₈ " BHCS w/Pin, SST	8
100198	³ / ₈ " x 1 ¹ / ₈ " BHCS w/Pin, SST	8
100327	³ / ₈ " Standard Hex Nut, SST	8
100365	³ / ₈ " SAE Flat Washer, SST.....	24
156847	Play Safe Label, 5-12 Yrs.....	1
183064	Warning Label	1

Specifications

Wobble Pod: Rotationally molded from U.V. stabilized linear low density polyethylene, color specified.

Spring Assembly: Comprised of 5 ⁵/₈" diameter ¹³/₁₆" tempered alloy steel coil, ¹/₄" thick HRPO zinc plated steel, ¹/₄" thick HRPO sheet steel and spring wedge casting made from A-356 T-6 aluminum. Finish: ProShield®, color specified.

Spring Leg: Weldment comprised of 3 ¹/₂" O.D. RS20 (.120" - .130" Wall) galvanized steel tubing and ¹/₄" x 10" diameter HRPO zinc plated steel mounting plate. ProShield, color specified.

Fasteners: Primary fasteners shall be socketed and pinned tamperproof in design, stainless steel (SST) per ASTM F 879 unless otherwise indicated (see specific product installation/specifications).

Installation Time: Approx. 2 man hours

Concrete Req.: Approx. 6 cu. ft.

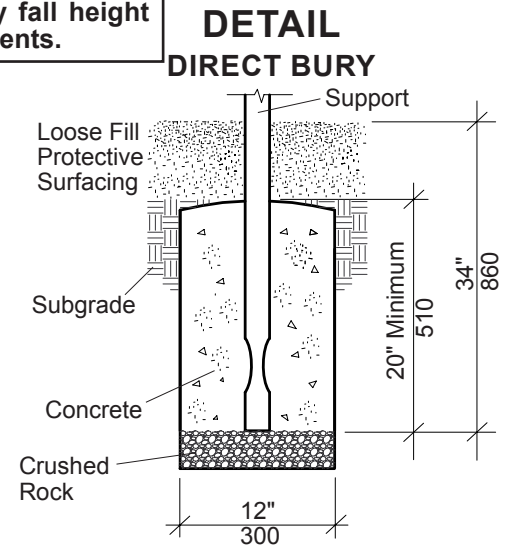
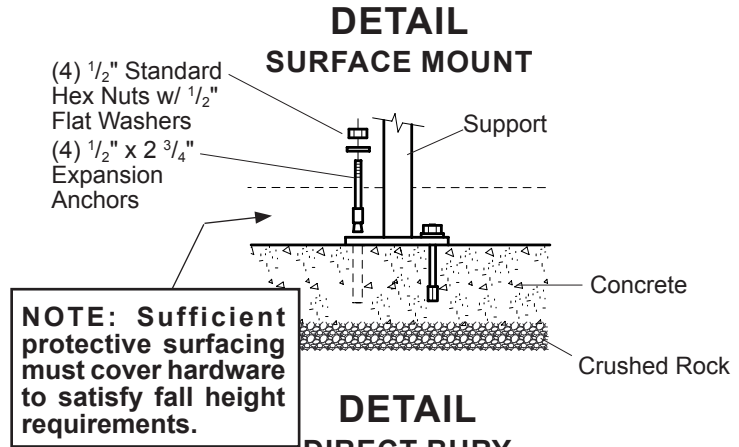
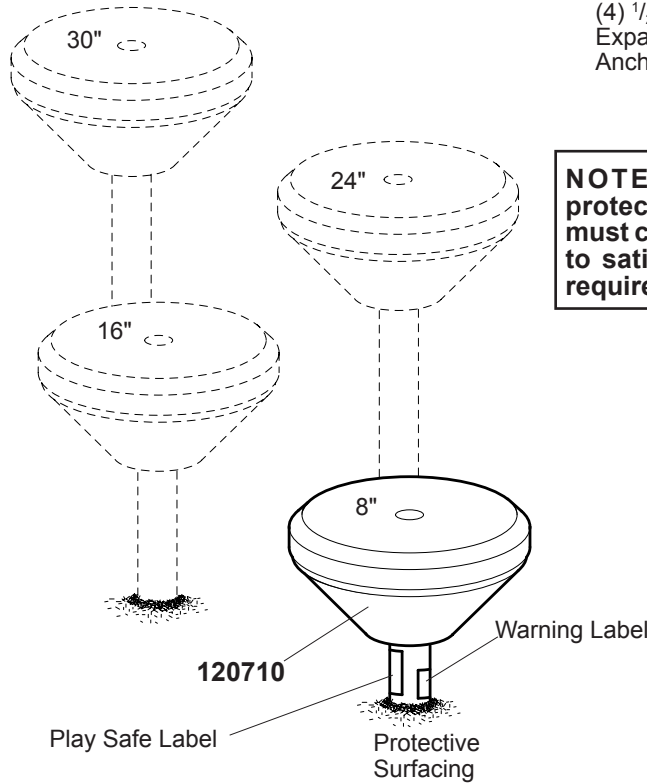
Area Req.: 6' (1.83 m) minimum use zone

Weight: 122 lbs.

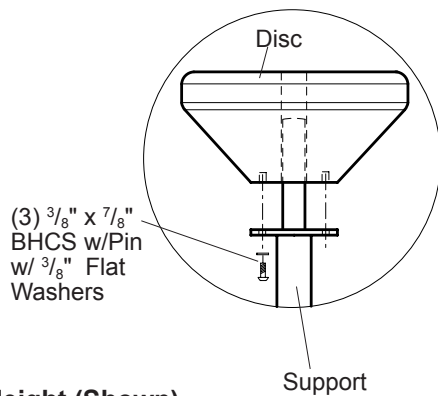
Fall Height: 16" (410 mm)

Installation Instructions

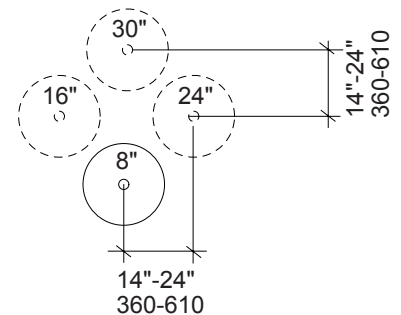
- 1) Dig footing holes as shown. Refer to the Site Plan for proper location of Wobble Pods.
- 2) Attach spring assemblies to Wobble Pod, using ³/₈" x ⁷/₈" BHCS w/pin with ³/₈" SAE flat washers, as shown.
- 3) Attach spring legs to spring assemblies, using ³/₈" x 1 ¹/₈" BHCS w/pin with ³/₈" SAE flat washers and ³/₈" standard hex nuts with ³/₈" SAE flat washers, as shown. Refer to the Spring Leg Attachment Detail.
- 4) With Wobble Pod propped in plumb position, pour concrete footings. Allow concrete footings to cure for a minimum of 72 hours before users are allowed to play on the structure.
- 5) Apply labels as shown.
- 6) Install protective surfacing before users are allowed to play on the component.



DETAIL DISC ATTACHMENT



PLAN VIEW/FOOTING LAYOUT
(Layout Varies - See Your Plan)



- 120710 8" Height (Shown)
- 158997 10" Height
- 120711 16" Height
- 158998 20" Height
- 120712 24" Height
- 120713 30" Height

Climbers

Pod Climbers

Parts List

Part#	Description	Qty.
126956	Disc, Specify Color	*
169340	Support 8" (SM), Specify Color	*
169339	Support 8" (DB), Specify Color	*
169342	Support 10" (SM), Specify Color	*
169341	Support 10" (DB), Specify Color	*
169344	Support 16" (SM), Specify Color	*
169343	Support 16" (DB), Specify Color	*
156625	Support 20" (SM), Specify Color	*
156627	Support 20" (DB), Specify Color	*
120605	Support 24" (SM), Specify Color	*
120601	Support 24" (DB), Specify Color	*
153987	Support 30" (SM), Specify Color	*
153988	Support 30" (DB), Specify Color	*
183871	Disc Climber Hardware Package	1
100196	3/8" x 7/8" BHCS w/Pin, SST	3
100365	3/8" Flat Washer, SST	3
156847	Play Safe Label, 5-12 Yrs.	1
183064	Warning Label	1
121348	4 Hole (SM) Hardware Package	1
100266	1/2" x 2 3/4" Expansion Anchor	4
100322	1/2" Standard Hex Nut, SST	4
100363	1/2" Flat Washer, SST	4

DB = Direct Bury

SM = Surface Mount

* = Quantity Determined By Your Order

Specifications

Disc: Rotationally molded from U.V. stabilized linear low density polyethylene, disc measures 14" in diameter x 7" high, color specified.

Support: Weldment comprised of 1.900" O.D. RS20 (.090" - .100" Wall), 1.315" O.D. RS20 (.080" - .090" Wall) and 3/16" x 5" diameter plate. Finish: ProShield®, color specified.

Fasteners: Primary fasteners shall be socketed and pinned tamperproof in design, stainless steel (SST) per ASTM F 879 unless otherwise indicated (see specific product installation/specifications).

Installation Time: SM - Approx. 1/2 man hour each
DB - Approx. 3/4 man hour each

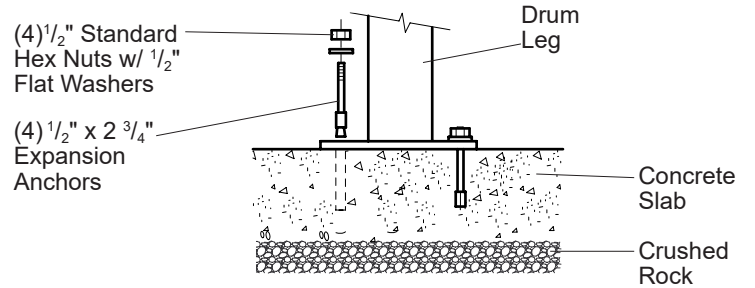
Concrete Req.: Approx. 1.31 cu. ft. each

Weight:
8" - 12 lbs.
10" - 13 lbs.
16" - 14 lbs.
20" - 15 lbs.
24" - 15 lbs.
30" - 16 lbs.

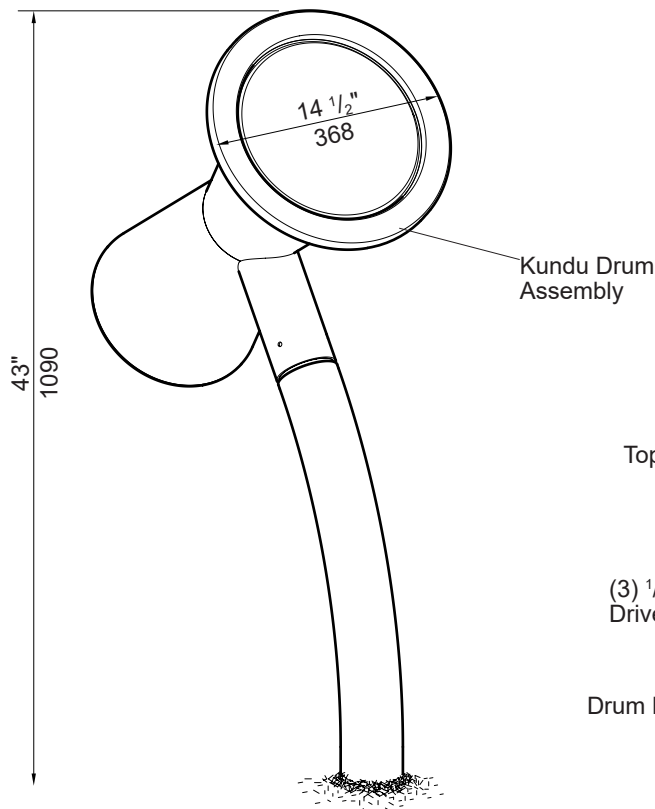
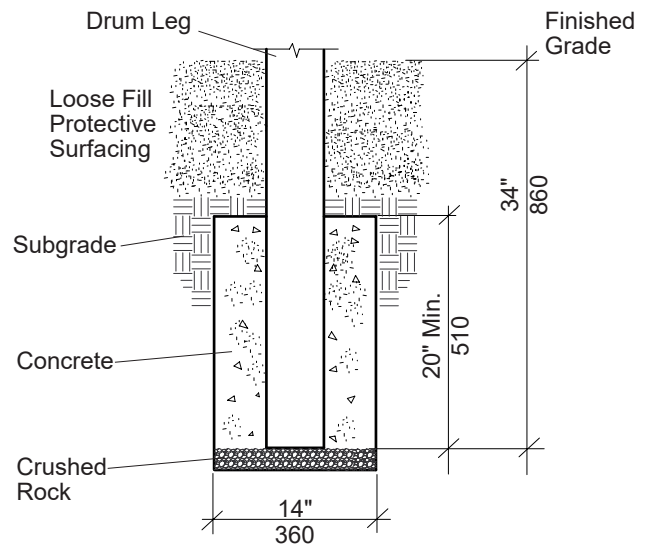
Installation Instructions

- 1) **(Direct Bury)** Dig footing as shown. See your Plan View/Footing Layout.
- 2) Attach disc to support using 3/8" x 7/8" BHCS w/pin with 3/8" flat washers, as shown.
- 3) **(Direct Bury)** Position support in footing hole and pour concrete footing. With support post plumb, prop support to hold in position.
(Surface Mount) Mark anchor bolt locations on concrete slab through holes in support plate. Remove disc climber. Drill 3" deep holes on marks into concrete slab using hammer drill and 1/2" masonry bit. Tap expansion anchors into holes and secure disc climber using 1/2" standard hex nuts with 1/2" flat washers.
- 4) Apply labels as shown.
- 5) Install protective surfacing before users are allowed to play on the structure.

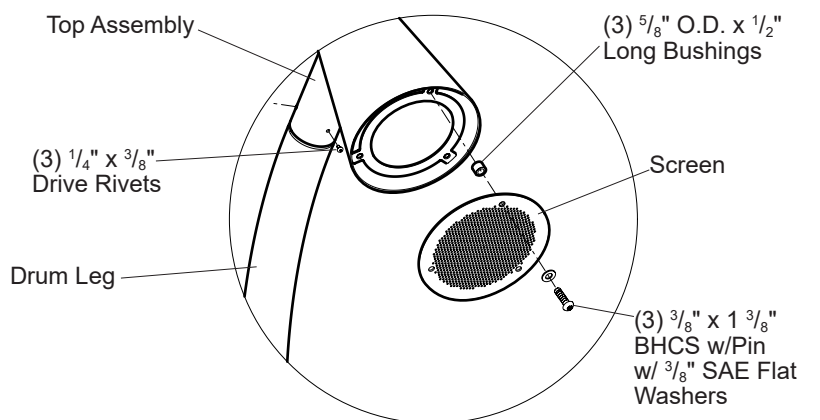
**DETAIL
SURFACE MOUNT**



**DETAIL
DIRECT BURY**



**DETAIL
SCREEN ATTACHMENT**



Sensory Play

214444 Kundu Drum



Sensory Play 214444 Kundu Drum

Parts List

Part#	Description	Qty.
213936	Drum Leg, (DB), Specify Color.....	1
204402	Drum Leg, (SM), Specify Color.....	1
279434	Kundu Drum Top Assembly, Specify Color.....	1
210434	10" Drum Screen, Specify Color.....	1
280641	Goblet/Kundu Drum Hardware Package	1
113027	3/8" x 1 3/8" BHCS w/Pin, SST.....	3
100365	3/8" SAE Flat Washer, SST.....	3
156962	5/8" O.D. x 1/2" Long, SST.....	3
100611	1/4" x 3/8" Drive Rivet, AL/SST.....	3
121348	4-Hole Surface Mount Hardware Package	1
100266	1/2" x 2 3/4" Standard Hex Nut, SST	4
100322	1/2" Standard Hex Nut, SST	4
100363	1/2" Flat Washer, SST	4

DB = Direct Bury
SM = Surface Mount

Specifications

Drum Leg: Made from 3.500" (88,9 mm) O.D. RS20 (.125")(3,17 mm) wall galvanized steel tubing. Finish: ProShield®, color specified.

Top Assembly: Weldment comprised of 3.500" (88,9 mm) O.D. RS20 (.125")(3,17 mm) wall galvanized steel tubing, 11 GA. (.120")(3,05 mm) flat steel and 1/8" (3,17 mm) thick HRPO steel sheet. Finish: ProShield®, color specified.

Trim: Permalene®, color specified.

Screen: Made from 11 GA. (.125")(3,17 mm) thick aluminum sheet. Finish: ProShield®, color specified.

Drum Head: Translucent, UV stabilized polycarbonate with a matte textured surface on one side.

Fasteners: Primary fasteners shall be socketed and pinned tamperproof in design, stainless steel (SST) per ASTM F 879 unless otherwise indicated (see specific product installation/specifications).

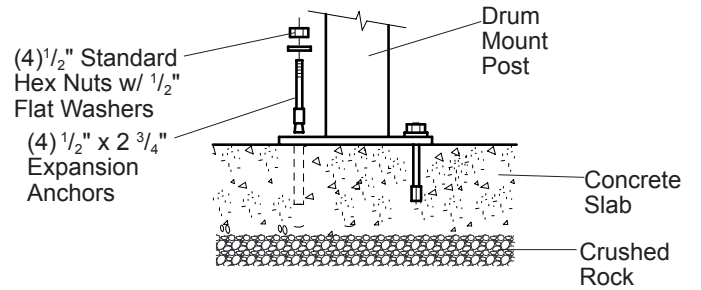
Installation Time: DB - Approx. 3 man hours
SM - Approx. 2 1/2 man hours

Concrete Req.: DB - Approx. 1.78 cu. ft.
Weight: DB -54 lbs.
SM -49 lbs.

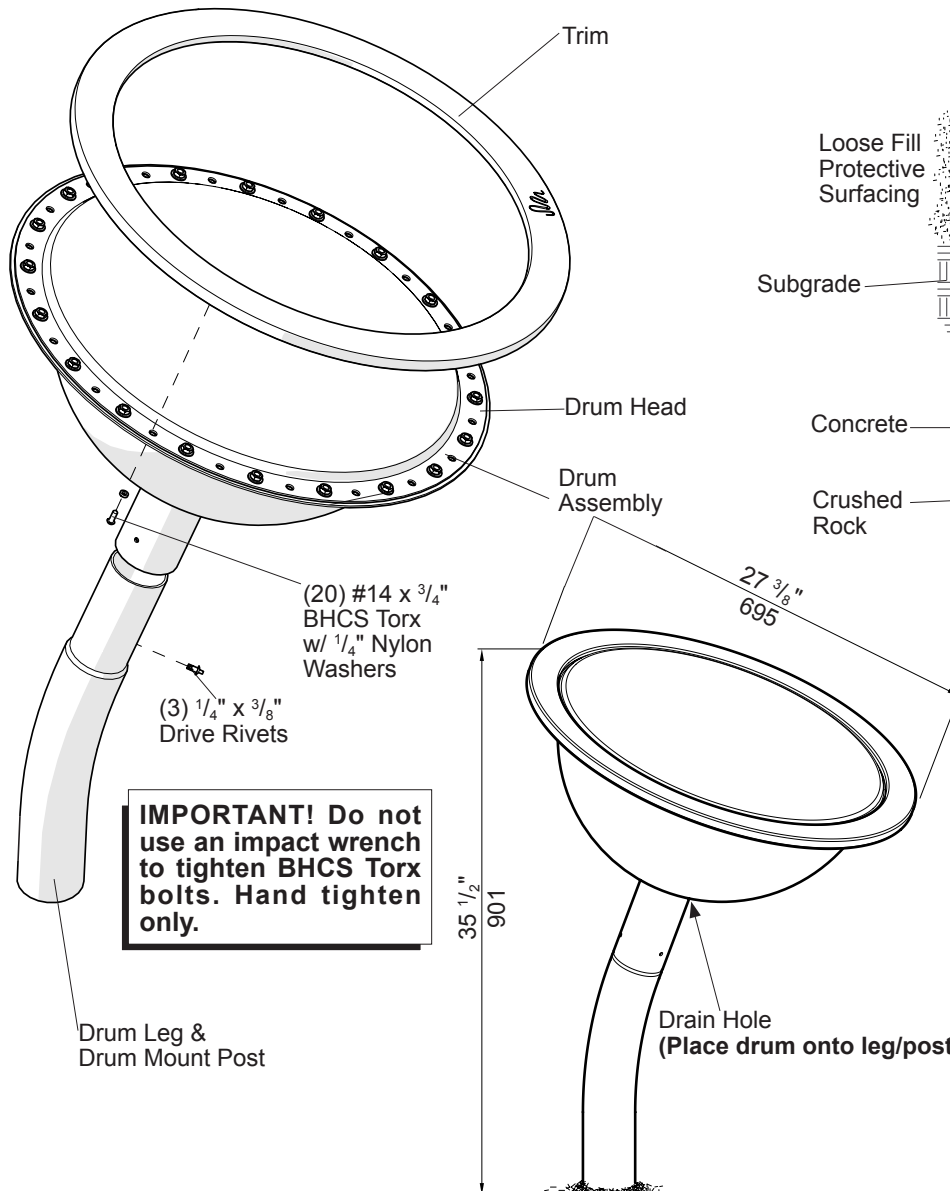
Installation Instructions

- 1) **(Direct Bury)** Dig footing as shown.
- 2) **(Direct Bury)** With lower portion of drum leg plumb and in final position, pour concrete footing. Allow concrete footing to cure for a minimum of 24 hours before attaching drum assembly, drum head and trim to drum leg.
(Surface Mount) Drill 1/2" x 3" deep holes through drum mount post plate using hammer drill and 1/2" masonry bit. Tap expansion anchors into drilled holes. Fasten drum mount post plate to expansion anchors using 1/2" standard hex nuts with 1/2" flat washers.
- 3) Place drum onto leg. Drill through holes in drum assembly and into drum leg with a 1/4" or "F" (only) drill bit. Insert 1/4" x 3/8" drive rivets into holes and hammer rivet pins in until flush with head.
- 4) Attach screen to drum top assembly. Refer to the Screen Attachment Detail.

**DETAIL
SURFACE MOUNT**

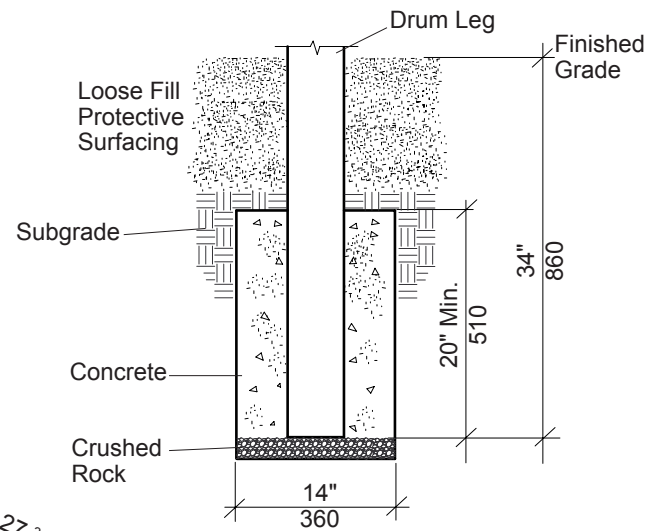


**DETAIL
DRUM ASSEMBLY**



IMPORTANT! Do not use an impact wrench to tighten BHCS Torx bolts. Hand tighten only.

**DETAIL
DIRECT BURY**



Drain Hole
(Place drum onto leg/post with drain hole at lowest point.)

Sensory Play

214445 Kettle Drum



Sensory Play 214445 Kettle Drum

Parts List

Part#	Description	Qty.
213935	Kettle Drum Leg, DB, Specify Color.....	1
204405	Kettle Drum Mount Post, SM, Specify Color	1
239314	Kettle Drum Assembly, Specify Color.....	1
204404	Kettle Drum Permalene Trim, Specify Color.....	1
239318	Kettle Drum Hardware Package	1
216760	#14 x 3/4" BHCS Torx, SST	20
133368	1/4" NylonWasher, SST	20
127463	T-27 TPP Hex Bit (Torx), SST	1
100611	1/4" x 3/8" Drive Rivet, AL/SST	3
121348	4-Hole Surface Mount Hardware Package	1
100266	1/2" x 2 3/4" Standard Hex Nut, SST	4
100322	1/2" Standard Hex Nut, SST	4
100363	1/2" Flat Washer, SST	4

DB = Direct Bury
SM = Surface Mount

Specifications

Trim: Permalene®, color specified.

Drum Leg: Made from 3.500" (88,9 mm) O.D. RS20 (.125")(3,17 mm) wall galvanized steel tubing. Finish: ProShield®, color specified.

Drum Assembly: Weldment comprised of 3.500" (88,9 mm) O.D. RS20 (.125")(3,17 mm) wall galvanized steel tubing and 11 GA. (.120")(3,05 mm) flat steel. Finish: ProShield®, color specified.

Drum Head: Translucent, UV stabilized polycarbonate with a matte textured surface on one side.

Fasteners: Primary fasteners shall be socketed and pinned tamperproof in design, stainless steel (SST) per ASTM F 879 unless otherwise indicated (see specific product installation/specifications).

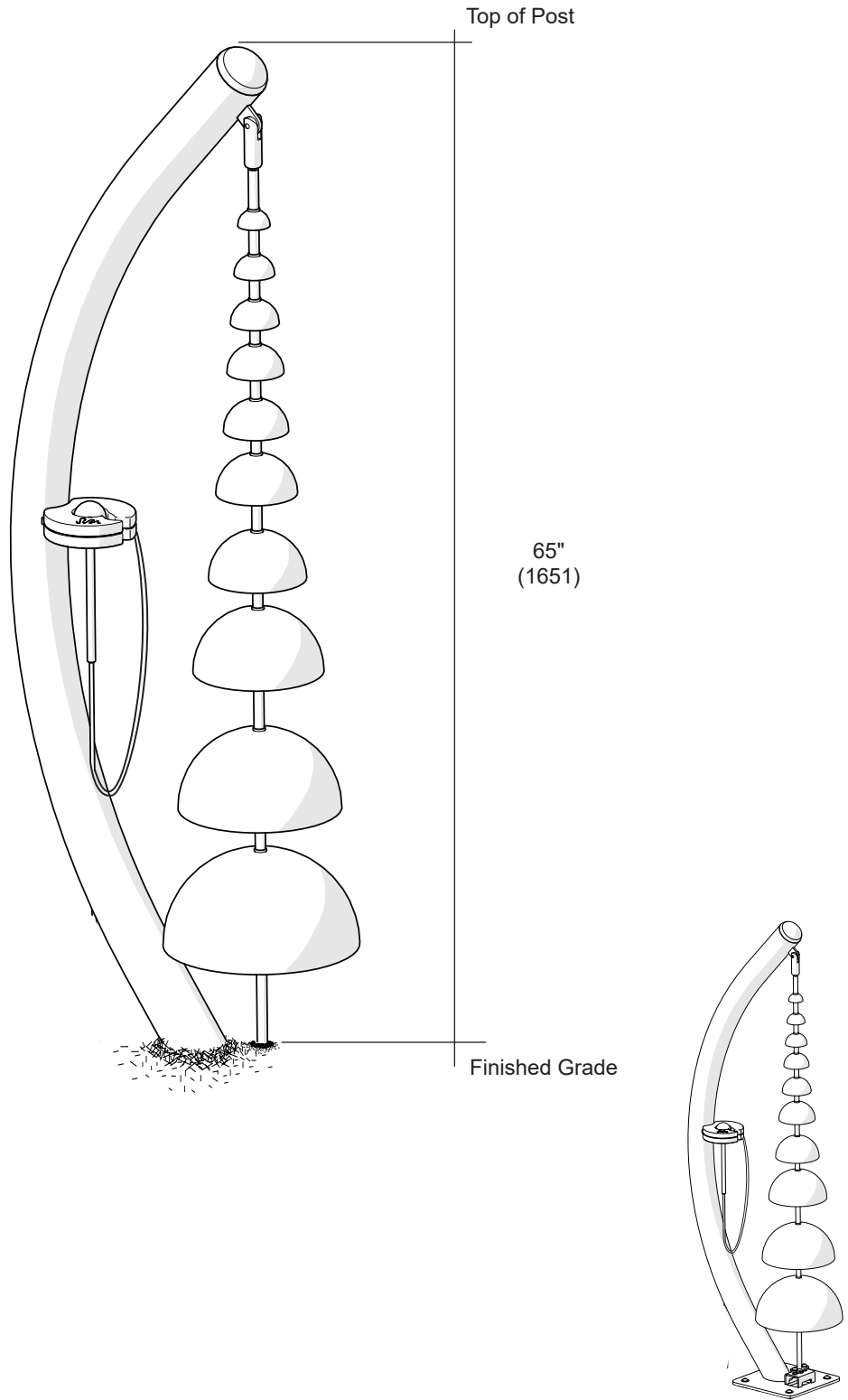
Installation Time: DB - Approx. 3 man hours
SM - Approx. 2 1/2 man hours

Concrete Req.: DB - Approx. 1.78 cu. ft.

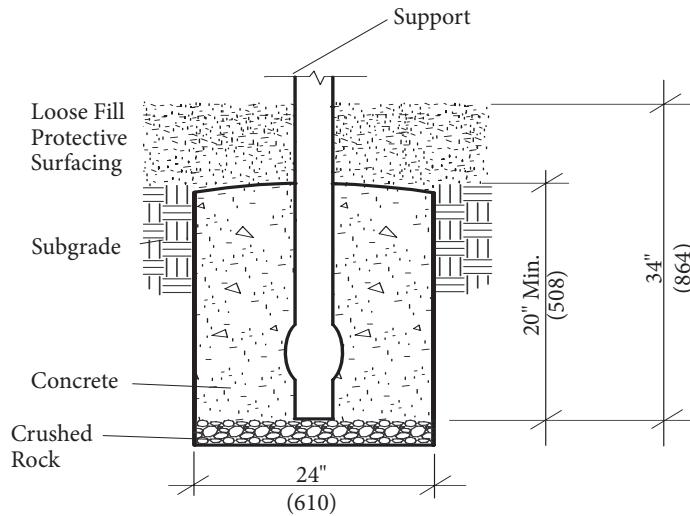
Weight: DB -66 lbs.
SM - 59 lbs.

Installation Instructions

- 1) **(Direct Bury)** Dig footing as shown.
- 2) **(Direct Bury)** With lower portion of drum leg plumb and in final position, pour concrete footing. Allow concrete footing to cure for a minimum of 24 hours before attaching drum assembly, drum head and trim to drum leg.
(Surface Mount) Drill 1/2" x 3" deep holes through drum mount post plate using hammer drill and 1/2" masonry bit. Tap expansion anchors into drilled holes. Fasten drum mount post plate to expansion anchors using 1/2" standard hex nuts with 1/2" flat washers.
- 3) Place drum onto leg/post with drain hole at lowest point. Drill through holes in drum assembly and into drum leg/post with a 1/4" or "F" (only) drill bit. Insert 1/4" x 3/8" drive rivets into holes and hammer rivet pins in until flush with head.
- 4) Attach drum head and trim to drum assembly, as shown. Refer to the Drum Assembly Detail.

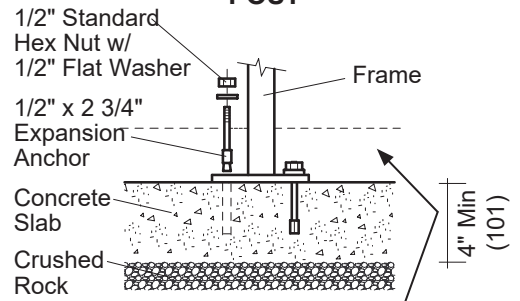


**DETAIL
DIRECT BURY**



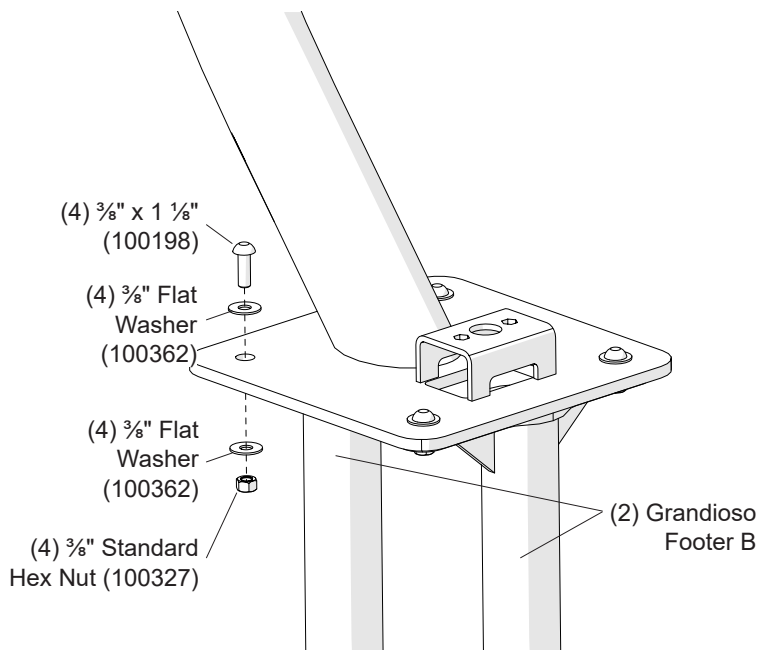
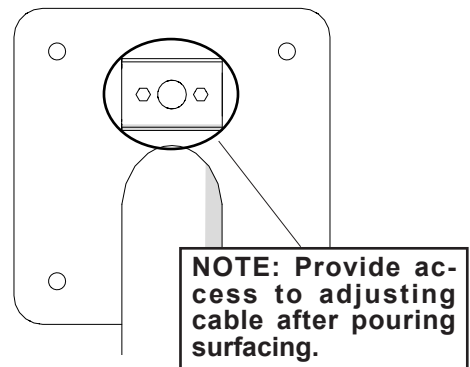
**DETAIL
DIRECT BURY
POST**

**DETAIL
SURFACE MOUNT
POST**



NOTE: Sufficient protective surfacing must cover hardware to satisfy fall height requirements.

**DETAIL
SURFACE MOUNT**

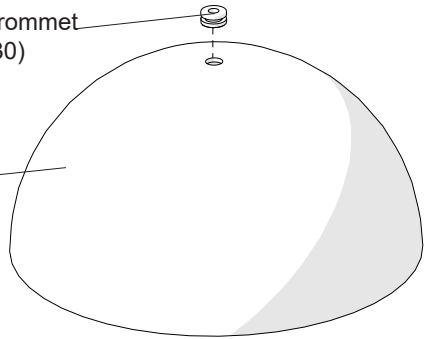


STEP 1

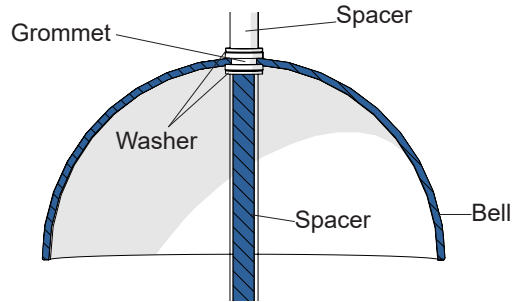
(10) Grommet
(251630)

(10) Bells

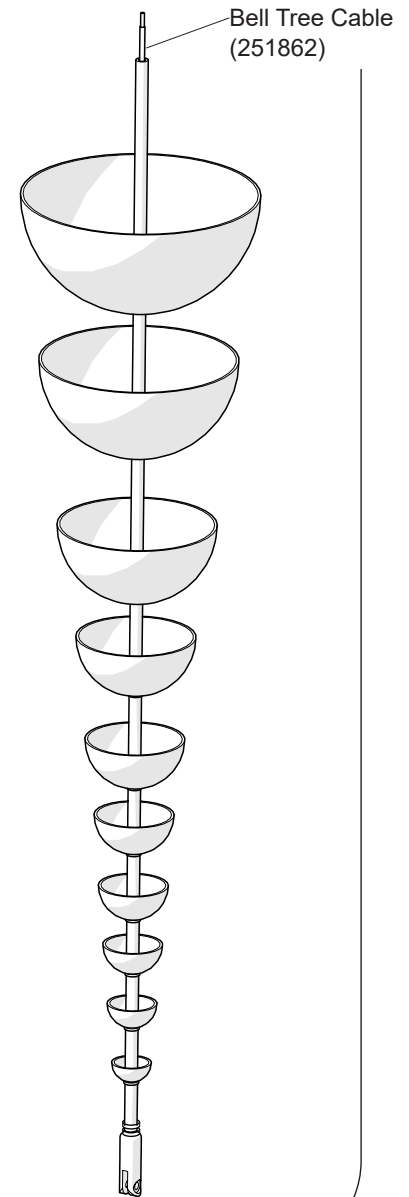
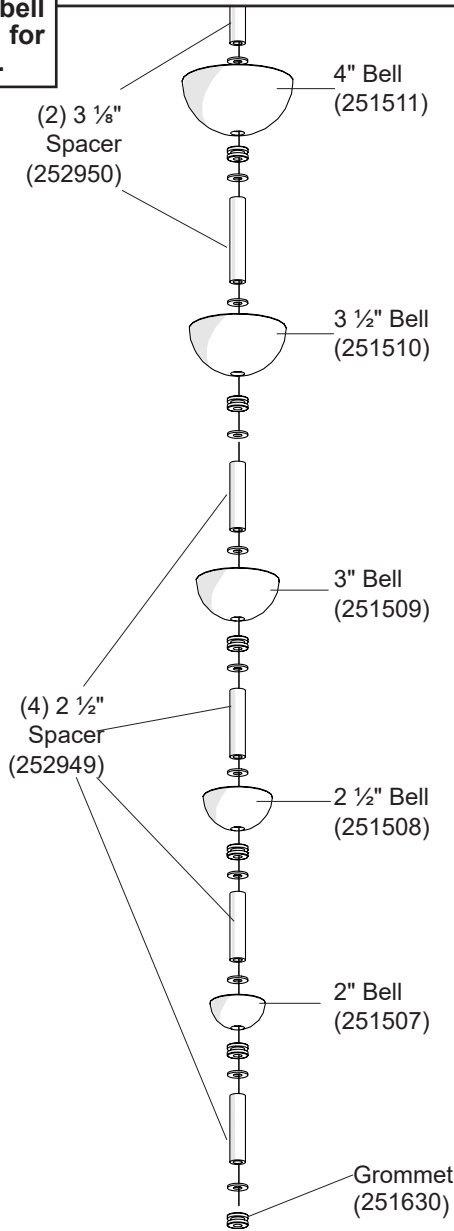
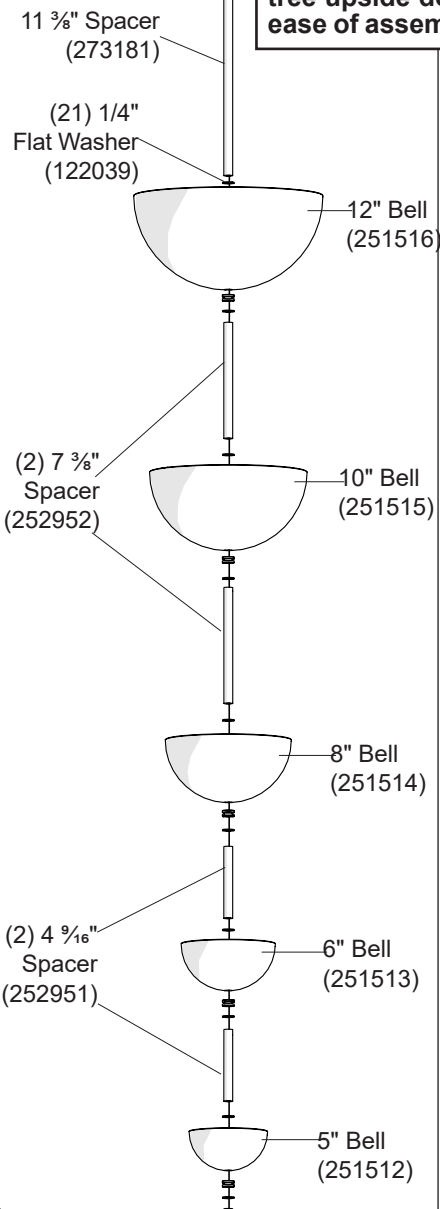
NOTE: All bells receive a grommet before assembling onto cable.



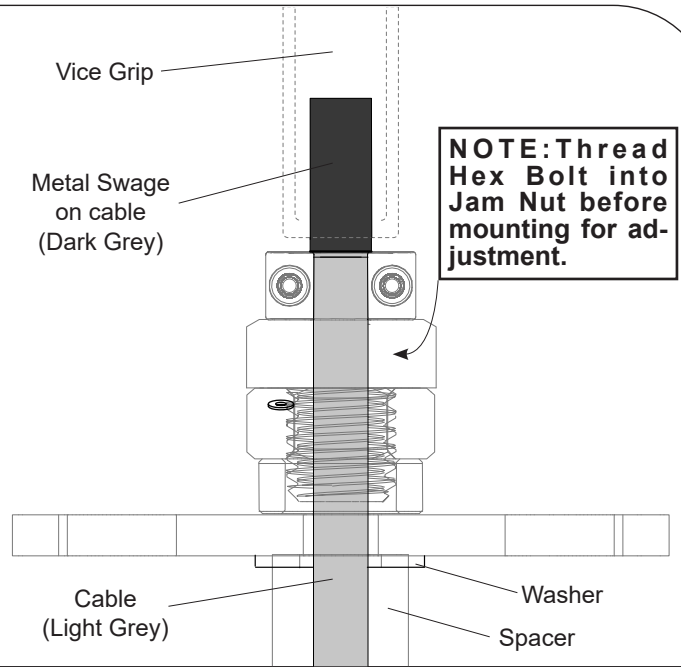
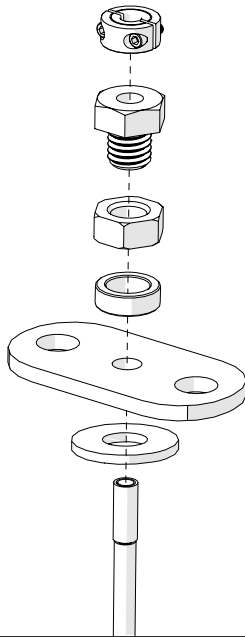
TYPICAL PART SEQUENCE



NOTE: Assemble bell tree upside down for ease of assembly.



STEP 2

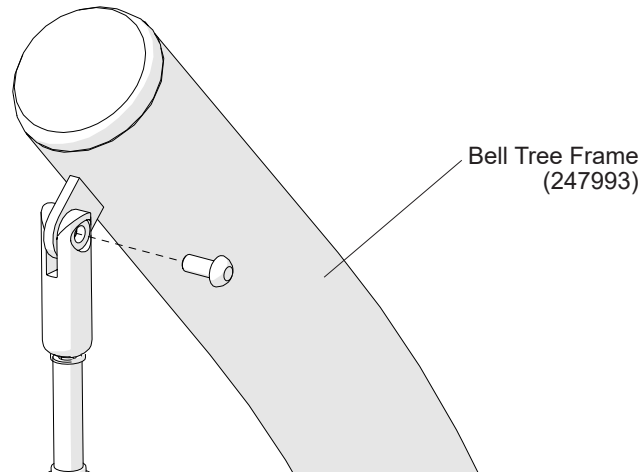


NOTE: Thread Hex Bolt into Jam Nut before mounting for adjustment.

- 1X Clamp Collar (251687)
- 1X 1/2" - 13 x .5 Hex Bolt (251572)
- 1X Tension Plate (248085)

- 1X 1/2" Hex Jam Nut (129693)
- 1X 3/4" x 1/4" Spacer (176653)
- 1X 1/4" Flat Washer (122039)

STEP 3



- 1X LHDS 3/8 x 7/8" BHCS (100290)
- 1X Bell Tree Frame (247993)

- 1X Bell Tree Assembly



<https://bit.ly/2TfjWyZ>

STEP 4

Bell Tree Frame
(247993)

NOTE: Adjust tension on cable stack by threading hex bolt and jam nut apart as far as possible. Refer to video link above.

NOTE: Add washers to minimize gap if it exceeds 1/4" (6.4) in between plate and base.

- 2x 3/8" SAE Flat Washer (100365) 2x 3/8 x 1 1/8" BHCS (100198)

STEP 5

Single Mallet Permalene
Cover Top (268147)

Mallet Assembly
(220676)

Single Mallet Permalene
Cover Bottom (269301)

(2) Music Belt Wedge
(228545)

(4) 5/16" x 1"
BHCS (264971)

- 1x Single Mallet Permalene Cover Top (268147) 1x Single Mallet Permalene Cover Bottom (269301)
- 2x Music Belt Wedge (228545) 1x Mallet Assembly (220676)
- 4x 5/16" x 1" BHCS w/Pin (264971)

Specifications

Part#	Description	Qty.
213672	Grandioso Footer B, Specify Color.....	2
220676	Mallet ASM 75A Gray.....	1
268147	Single Mallet Perm Cover Top, Specify Color.....	1
269301	Single Mallet Perm Cover Bottom, Specify Color.....	1
247993	Cascata Bells Frame, Specify Color.....	1
248085	Cascata Bells Tension PL Specify Color.....	1
253930	Cascata Bells Bell Set.....	1
251507	2.00" Bell W/ Hole.....	1
251508	2.50" Bell W/ Hole.....	1
251509	3.00" Bell W/ Hole.....	1
251510	3.50" Bell W/ Hole.....	1
251511	4.00" Bell W/ Hole.....	1
251512	5.00" Bell W/ Hole.....	1
251513	6.00" Bell W/ Hole.....	1
251514	8.00" Bell W/ Hole.....	1
251515	10.00" Bell W/ Hole.....	1
251516	12.00" Bell W/ Hole.....	1
251862	Cascata Bells Cable.....	1
273186	Cascata Bells Spacer Set.....	1
252949	Cascata Bells Anodized Spacer 01, Black.....	4
252950	Cascata Bells Anodized Spacer 02, Black.....	2
252951	Cascata Bells Anodized Spacer 03, Black.....	2
252952	Cascata Bells Anodized Spacer 04, Black.....	2
273181	Cascata Bells Anodized Spacer 05, Black.....	1
292487	Hdw Pkg Cascata™ Bells.....	1
100198	BHCS 6LP 3/8 x 1-1/8" SST.....	2
100290	BHCS 6LP LTHD 3/8" x 3/8" SST.....	1
100365	Washer Flat SAE 3/8" SST.....	6
129693	Nut Hex Jam 1/2-13 SST.....	1
176653	Spacer 3/4" x 1/4" AL.....	1
228545	Music Belt Wedge.....	2
251572	1/2-13 x .5L Hex Bolt W/ Hole.....	1
251630	Push In Grommet.....	11
251687	1/4" Two Piece Clamp Collar.....	1
148680	BIT 3/16 6-LOBE T ⁴⁰ TAMP.....	1
264971	3/16" x 1" BHCS w/Pin, SST.....	4
122039	Washer Flat 1/4" x 3/4"OD SST.....	22
207263	Hdw Pkg DB Support.....	2
100198	BHCS 6LP 3/8" x 1-1/8" SST.....	2
100327	Nut Hex STD 3/8"-16 SST.....	2
100362	Washer Flat 3/8" SST.....	4
121348	Hdw Pkg 4-Hole SM 1/2-13.....	1
100266	Exp Anchor 1/2" x 2-3/4" ZP.....	4
100322	Nut Hex STD 1/2" - 13 SST.....	4
100363	Washer Flat 1/2" SST.....	4

DB= Direct Bury
SM= Surface Mount

Fasteners: Primary fasteners shall be socketed and pinned tamperproof in design, stainless steel (SST) per ASTM F 879 unless otherwise indicated (see specific product installation/specifications).

Frame: Weldment comprised of 3.500" (88,9 mm) O.D. RS20 (.125") (3,17 mm) wall galvanized steel tubing, 1/4" stainless steel sheet and 3/8" (6,35 mm) thick HRPO steel sheet. Finish: ProShield®, color specified.

Mallet: Comprised of 2" (50,8 mm) diameter light gray polyurethane, 1/2" (12,7 mm) diameter aluminum handle and 3/16" (9,50 mm) stainless steel cable with nylon coating.

Footer: Weldment comprised of 2.375" (60,32 mm) O.D. RS20 (.095"-.105") (2,41 mm-2,66 mm) wall galvanized steel tubing, and 1/4" (6,35 mm) thick HRPO steel sheet. Finish: ProShield®, color specified.

Cables: Comprised of 3/16" (4,74 mm) diameter stainless steel cable with nylon coating.

Installation Time: Approx. 2 person hours

Weight: DB 73 lbs.
SM 57 lbs.

Concrete: 5.24 Cubic Feet DB



**AFFIDAVIT OF SERVICE
FOR ABUTTER NOTIFICATION**

**Under the Massachusetts Wetlands Protection Act
and Boston Wetlands Ordinance**

I, _____, hereby certify under pains and penalties of perjury that that at least one week prior to the public hearing, I gave notice to abutters in compliance with the second paragraph of Massachusetts General Laws Chapter 131, section 40, and the DEP Guide to Abutter Notification dated April 8, 1994, in connection with the following matter:

A _____ was filed under the Massachusetts Wetlands Protection Act and/or the Boston Wetlands Ordinance by _____ for _____ located at _____.

The Abutter Notification For, the list of abutters to whom it was given, and their addresses are attached to this Affidavit of Service.

Name

Date



**NOTIFICATION TO ABUTTERS
BOSTON CONSERVATION COMMISSION**

In accordance with the Massachusetts Wetlands Protection Act, Massachusetts General Laws Chapter 131, Section 40, and the Boston Wetlands Ordinance, you are hereby notified as an abutter to a project filed with the Boston Conservation Commission.

A. _____ has filed a Notice of Intent with the Boston Conservation Commission seeking permission to alter an Area Subject to Protection under the Wetlands Protection Act (General Laws Chapter 131, section 40) and Boston Wetlands Ordinance.

B. The address of the lot where the activity is proposed is _____.

C. The project involves _____.

D. Copies of the Notice of Intent may be obtained by contacting the Boston Conservation Commission at CC@boston.gov.

E. Copies of the Notice of Intent may be obtained from _____ by contacting them at _____ between the hours of _____, _____.

F. In accordance with the Chapter 20 of the Acts of 2021, the public hearing will take place **virtually** at <https://zoom.us/j/6864582044>. If you are unable to access the internet, you can call 1-929-205-6099, enter Meeting ID 686 458 2044 # and use # as your participant ID.

G. Information regarding the date and time of the public hearing may be obtained from the **Boston Conservation Commission** by emailing CC@boston.gov or calling **(617) 635-3850** between the hours of **9 AM to 5 PM, Monday through Friday**.

NOTE: Notice of the public hearing, including its date, time, and place, will be published at least five (5) days in advance in the **Boston Herald**.

NOTE: Notice of the public hearing, including its date, time, and place, will be posted on www.boston.gov/public-notices and in Boston City Hall not less than forty-eight (48) hours in advance. If you would like to provide comments, you may attend the public hearing or send written comments to CC@boston.gov or Boston City Hall, Environment Department, Room 709, 1 City Hall Square, Boston, MA 02201

NOTE: If you would like to provide comments, you may attend the public hearing or send written comments to CC@boston.gov or Boston City Hall, Environment Department, Room 709, 1 City Hall Square, Boston, MA 02201

NOTE: You also may contact the Boston Conservation Commission or the Department of Environmental Protection Northeast Regional Office for more information about this application or the Wetlands Protection Act. To contact DEP, call: the Northeast Region: (978) 694-3200.

NOTE: If you plan to attend the public hearing and are in need of interpretation, please notify staff at CC@boston.gov by 12 PM the day before the hearing.



NOTIFICACIÓN PARA PROPIETARIOS Y/O VECINOS COLINDANTES COMISIÓN DE CONSERVACIÓN DE BOSTON

De conformidad con la Ley de protección de los humedales de Massachusetts, el Capítulo 131, Sección 40 de las Leyes Generales de Massachusetts y la Ordenanza sobre los humedales de Boston, por la presente queda usted notificado como propietario o vecino colindante de un proyecto presentado ante la Comisión de Conservación de Boston.

A. **La Asociación Esplanade** ha presentado una solicitud a la Comisión de Conservación de Boston pidiendo permiso para modificar una zona sujeta a protección en virtud de la Ley de protección de los humedales (Leyes generales, capítulo 131, sección 40) y la Ordenanza sobre los humedales de Boston.

B. La dirección del lote donde se propone la actividad es **en el parque de recreo Miriam & Sidney Stoneman en el Esplanade.**

C. El proyecto consiste en **agregar nuevos y asequibles equipos de juegos a el querido parque de recreo DCR para aumentar el valor del juego.**

D. Se pueden obtener copias del Aviso de Intención comunicándose con la Comisión de Conservación de Boston en CC@boston.gov.

E. Las copias de la notificación de intención pueden obtenerse de **Alison Badrigian, abadrigian@esplanade.org, entre las 9 AM y las 5 PM, de lunes a viernes.**

F. De acuerdo con el Decreto Ejecutivo de le Mancomunidad de Massachusetts que suspende ciertas disposiciones de la Ley de reuniones abiertas, la audiencia pública se llevará a cabo virtualmente en <https://zoom.us/j/6864582044>. Si no puede acceder a Internet, puede llamar al 1-929-205- 6099, ingresar ID de reunión 686 458 2044 # y usar # como su ID de participante.

G. La información relativa a la fecha y hora de la audiencia pública puede solicitarse a la **Comisión de Conservación de Boston** por correo electrónico a CC@boston.gov o llamando al **(617) 635-4416** entre las **9 AM y las 5 PM, de lunes a viernes.**

NOTA: La notificación de la audiencia pública, incluida su fecha, hora y lugar, se publicará en el **Boston Herald** con al menos cinco (5) días de antelación.

NOTA: La notificación de la audiencia pública, incluida su fecha, hora y lugar, se publicará en www.boston.gov/public-notices y en el Ayuntamiento de Boston con no menos de cuarenta y ocho (48) horas de antelación. Si desea formular comentarios, puede asistir a la audiencia pública o enviarlos por escrito a CC@boston.gov o al Ayuntamiento de Boston, Departamento de Medio Ambiente, Sala 709, 1 City Hall Square, Boston, MA 02201.

NOTA: También puede comunicarse con la Comisión de Conservación de Boston o con la Oficina Regional del Noreste del Departamento de Protección Ambiental para obtener más información sobre esta solicitud o la Ley de Protección de Humedales. Para comunicarse con el DEP, llame a la Región Noreste: (978) 694-3200.

NOTA: si tiene previsto asistir a la audiencia pública y necesita servicios de interpretación, sírvase informar al personal en CC@boston.gov antes de las 12 PM del día anterior a la audiencia.



MAPA Translations, Inc
216 Concord Rd
Wayland, MA 01778
info@mapatranslation.com
www.mapatranslation.com

Affidavit of Authenticity

The undersigned, **MAPA Translations, Inc.**, hereby states as proof that the below translation provided to the **Esplanade Association** is a certified translation:

06/20/2022 Spanish Translation

Client: Esplanade Association
Division: City of Boston
Project: City of Boston Environment (Boston Conservation Commission)
Document: Notification to Abutters
Word Count: 33
Requested by Alison Badrigian on 06-17-2022
Job Number: JUN2022-286

I declare, to the best of my knowledge and belief, the information herein is true, correct, and complete.

Name: Nina Cespedes

Date: June 28, 2022

Signature: 



BABEL NOTICE

English:

IMPORTANT! This document or application contains **important information** about your rights, responsibilities and/or benefits. It is crucial that you understand the information in this document and/or application, and we will provide the information in your preferred language at no cost to you. If you need them, please contact us at cc@boston.gov or 617-635-3850.

Spanish:

¡IMPORTANTE! Este documento o solicitud contiene **información importante** sobre sus derechos, responsabilidades y/o beneficios. Es fundamental que usted entienda la información contenida en este documento y/o solicitud, y le proporcionaremos la información en su idioma preferido sin costo alguno para usted. Si los necesita, póngase en contacto con nosotros en el correo electrónico cc@boston.gov o llamando al 617-635-3850.

Haitian Creole:

AVI ENPÒTAN! Dokiman oubyen aplikasyon sa genyen **enfòmasyon ki enpòtan** konsènan dwa, responsablite, ak/oswa benefis ou yo. Li enpòtan ke ou konprann enfòmasyon ki nan dokiman ak/oubyen aplikasyon sa, e n ap bay enfòmasyon an nan lang ou prefere a, san ou pa peye anyen. Si w bezwen yo, tanpri kontakte nou nan cc@boston.gov oswa 617-635-3850.

Traditional Chinese:

非常重要！這份文件或是申請表格包含關於您的權利，責任，和／或福利的重要信息。請您務必完全理解這份文件或申請表格的全部信息，這對我們來說十分重要。我們會免費給您提供翻譯服務。如果您有需要請聯系我們的郵箱 cc@boston.gov 電話# 617-635-3850..

Vietnamese:

QUAN TRỌNG! Tài liệu hoặc đơn yêu cầu này chứa **thông tin quan trọng** về các quyền, trách nhiệm và/hoặc lợi ích của bạn. Việc bạn hiểu rõ thông tin trong tài liệu và/hoặc đơn yêu cầu này rất quan trọng, và chúng tôi sẽ cung cấp thông tin bằng ngôn ngữ bạn muốn mà không tính phí. Nếu quý vị cần những dịch vụ này, vui lòng liên lạc với chúng tôi theo địa chỉ cc@boston.gov hoặc số điện thoại 617-635-3850.

Simplified Chinese:

非常重要！这份文件或是申请表格包含关于您的权利，责任，和／或福利的重要信息。请您务必完全理解这份文件或申请表格的全部信息，这对我们来说十分重要。我们会免费给您提供翻译服务。如果您有需要请联联系我们的邮箱 cc@boston.gov 电话# 617-635-3850.

Cape Verdean Creole:

INPURTANTI! Es dukumentu ó aplikason ten **informason inpur tanti** sobri bu direitus, rasponsabilidadi i/ó benefisius. Ê krusial ki bu intendi informason na es dukumentu i/ó aplikason ó nu ta da informason na língua di bu preferênsia sen ninhun kustu pa bó. Si bu prisiza del, kontata-nu na cc@boston.gov ó 617-635-3850.

Arabic:

مهم! يحتوي هذا المستند أو التطبيق على معلومات مهمة حول حقوقك ومسؤولياتك أو فوائدك. من الأهمية أن تفهم المعلومات الواردة في هذا المستند أو التطبيق. سوف نقدم المعلومات بلغتك المفضلة دون أي تكلفة عليك. إذا كنت في حاجة إليها، يرجى الاتصال بنا على cc@boston.gov أو 617-635-3850.

Russian:

ВАЖНО! В этом документе или заявлении содержится **важная информация** о ваших правах, обязанностях и/или льготах. Для нас очень важно, чтобы вы понимали приведенную в этом документе и/или заявлении информацию, и мы готовы бесплатно предоставить вам информацию на предпочитаемом вами языке. Если Вам они нужны, просьба связаться с нами по адресу электронной почты cc@boston.gov, либо по телефону 617-635-3850.

Portuguese:

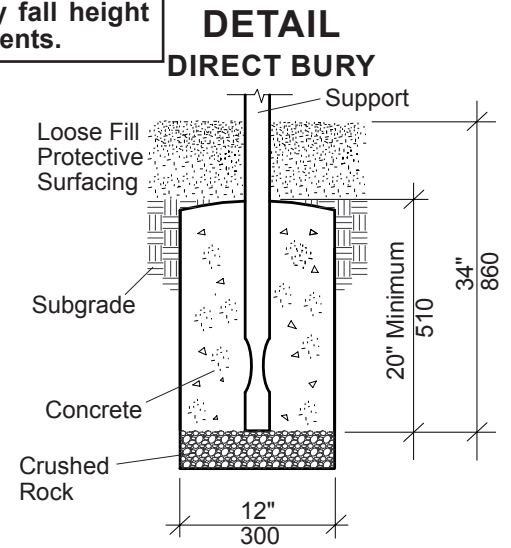
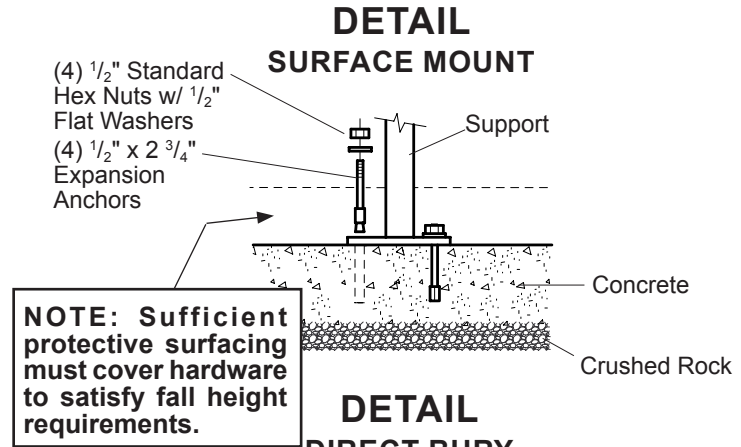
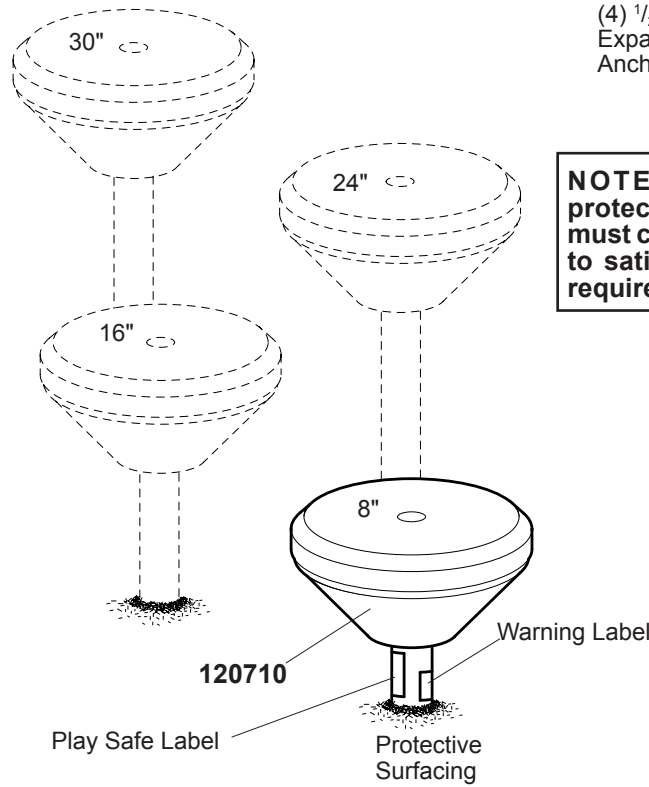
IMPORTANTE! Este documento ou aplicativo contém **Informações importantes** sobre os seus direitos, responsabilidades e/ou benefícios. É importante que você compreenda as informações contidas neste documento e/ou aplicativo, e nós iremos fornecer as informações em seu idioma de preferência sem nenhum custo para você. Se precisar deles, fale conosco: cc@boston.gov ou 617-635-3850.

French:

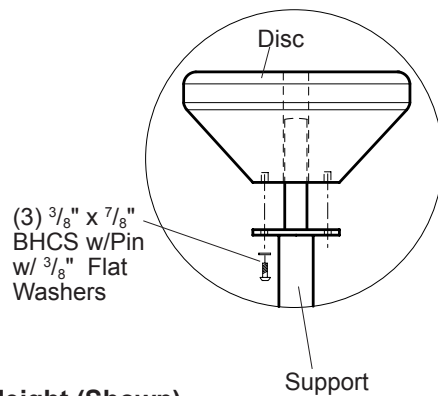
IMPORTANT ! Ce document ou cette demande contient des **informations importantes** concernant vos droits, responsabilités et/ou avantages. Il est essentiel que vous compreniez les informations contenues dans ce document et/ou cette demande, que nous pouvons vous communiquer gratuitement dans la langue de votre choix. Si vous en avez besoin, veuillez nous contacter à cc@boston.gov ou au 617-635-3850.



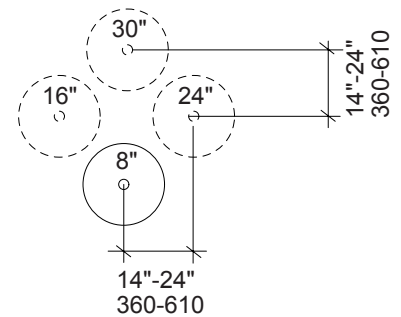
OBJECTID	PID	PID_LONG	GIS_ID	FULL_ADDRESS	CITY	ZIPCODE	OWNER	ADDRESSEE	MAIL_ADDRESS	MAIL_CS	STATE	MAIL_ZIPCODE	Shape_Area	Shape_Length
146546	503509000	503509000	503509000	BEACON ST	BOSTON	2115	NEW ENGLAND COLLEGE		BEACON	BOSTON	MA	2115	5026.027832	369.9039722
92293	503497000	503497002	503497000	2 GLOUCESTER ST 1F	BOSTON	2115	PALMER STEPHEN JR		404 BEACON ST #1R	BOSTON	MA	2115	4631.854736	360.4207735
92294	503497000	503497004	503497000	2 GLOUCESTER ST 1R	BOSTON	2115	PALMER STEPHEN JR		404 BEACON ST #1R	BOSTON	MA	2115	4631.854736	360.4207735
92295	503497000	503497006	503497000	2 GLOUCESTER ST 2	BOSTON	2115	MA XIANTIAN	C/O BOSTON APARTMENT MANAGEMENT	23 RICHARDS ROAD	READING	MA	1867	4631.854736	360.4207735
92296	503497000	503497008	503497000	2 GLOUCESTER ST 3	BOSTON	2115	AXELROD JOHN P		404 BEACON ST #3	BOSTON	MA	2115	4631.854736	360.4207735
92297	503497000	503497010	503497000	2 GLOUCESTER ST 4	BOSTON	2115	ZHU QIAN		404 BEACON ST #4	BOSTON	MA	2115	4631.854736	360.4207735
92298	503497000	503497012	503497000	2 GLOUCESTER ST 5	BOSTON	2115	LEWIS ALAN E		404 BEACON ST #5	BOSTON	MA	2115	4631.854736	360.4207735
92292	503497000	503497000	503497000	404 BEACON ST	BOSTON	2115	FOUR 04 BEACON ST CONDO TR	C/O STEPHEN PALMER	404 BEACON ST #1R	BOSTON	MA	2115	4631.854736	360.4207735
49636	503498000	503498000	503498000	406 BEACON ST	BOSTON	2115	KAPETANAKIS MARILYN M TS		252 WINTROP ST	MEDFORD	MA	2155	3622.356445	346.8650771
97535	503499000	503499000	503499000	408 BEACON ST	BOSTON	2115	FOUR 08 BEACON ST CONDO ASSN		408 BEACON	BOSTON	MA	2115	3821.288086	349.7636706
97536	503499000	503499016	503499000	408 BEACON ST 1	BOSTON	2115	408 HEXAGON LLC		119 HYSLOP RD	BROOKLINE	MA	2445	3821.288086	349.7636706
97537	503499000	503499018	503499000	408 BEACON ST 2	BOSTON	2115	HEXAGON ENTERPRISES LLC MASS LLC	MEDIATE MANAGEMENT COMPANY	4 BUNKER HILL INDUSTRIAL PARK	BOSTON	MA	2129	3821.288086	349.7636706
97538	503499000	503499020	503499000	408 BEACON ST 3	BOSTON	2115	MENTZER STEVEN J		408 BEACON ST #3	BOSTON	MA	2115	3821.288086	349.7636706
97539	503499000	503499022	503499000	408 BEACON ST PS-1	BOSTON	2115	WU MEIJUAN		414 BEACON ST, UNIT 4	BOSTON	MA	2115	3821.288086	349.7636706
97540	503499000	503499023	503499000	408 BEACON ST PS-2	BOSTON	2115	408 HEXAGON LLC		119 HYSLOP RD	BROOKLINE	MA	2445	3821.288086	349.7636706
97541	503499000	503499024	503499000	408 BEACON ST PS-3	BOSTON	2115	408 HEXAGON LLC		119 HYSLOP RD	BROOKLINE	MA	2445	3821.288086	349.7636706
97542	503499000	503499025	503499000	408 BEACON ST PS-4	BOSTON	2115	HEXAGON ENTERPRISES LLC		4 BUNKER HILL INDUSTRIAL PARK	BOSTON	MA	2129	3821.288086	349.7636706
97543	503499000	503499026	503499000	408 BEACON ST PS-5	BOSTON	2115	HEXAGON ENTERPRISES LLC		4 BUNKER HILL INDUSTRIAL PARK	BOSTON	MA	2129	3821.288086	349.7636706
97544	503499000	503499027	503499000	408 BEACON ST PS-6	BOSTON	2115	MENTZER STEVEN J	C/O PAUL BILLINGTON	9401 INDIAN CREEK PKY #800	OVERLAND PARK	KS	66210	3821.288086	349.7636706
97545	503499000	503499028	503499000	408 BEACON ST PS-7	BOSTON	2115	MENTZER STEVEN J	C/O PAUL BILLINGTON	9401 INDIAN CREEK PKY #800	OVERLAND PARK	KS	66210	3821.288086	349.7636706
107326	503500000	503500000	503500000	410 BEACON ST	BOSTON	2115	410 COINPURSE REALTY TRUST	C/O ADAM HALPERN	410 BEACON STREET	BOSTON	MA	2115	3679.206543	348.5185083
33646	503501000	503501000	503501000	412 BEACON ST	BOSTON	2115	FOUR 12 BEACON STREET		412 BEACON ST &	BOSTON	MA	2115	8669.75293	451.1041711
33647	503501000	503501002	503501000	412 BEACON ST 1	BOSTON	2115	DUBOWSKY STEVEN		2521 LA CONDESA DR.	LOS ANGELES	CA	90049	8669.75293	451.1041711
33656	503501000	503501020	503501000	412 BEACON ST 10	BOSTON	2115	TIERNEY TOMYE TS		412 BEACON ST #10	BOSTON	MA	2115	8669.75293	451.1041711
33648	503501000	503501004	503501000	412 BEACON ST 2	BOSTON	2115	PARSONS JAMES NEIL		412 BEACON ST #2	BOSTON	MA	2115	8669.75293	451.1041711
33649	503501000	503501006	503501000	412 BEACON ST 3	BOSTON	2115	GILLESPIE BEAU R TS	C/O BEAU R GILLESPIE	412 BEACON ST #3	BOSTON	MA	2116	8669.75293	451.1041711
33650	503501000	503501008	503501000	412 BEACON ST 4	BOSTON	2115	HO HUEI-IN H		412 BEACON ST #4	BOSTON	MA	2115	8669.75293	451.1041711
33651	503501000	503501010	503501000	412 BEACON ST 5	BOSTON	2115	ANDELMAN ESTELLE		412 BEACON ST #5	BOSTON	MA	2116	8669.75293	451.1041711
33652	503501000	503501012	503501000	412 BEACON ST 6	BOSTON	2115	RUSSELL NANCY A TS	C/O NANCY A. RUSSELL TRUSTEE	412 BEACON ST #412	BOSTON	MA	2115	8669.75293	451.1041711
33653	503501000	503501014	503501000	412 BEACON ST 7	BOSTON	2115	FEINBERG JACQUELINE D		412 BEACON ST #7	BOSTON	MA	2116	8669.75293	451.1041711
33654	503501000	503501016	503501000	412 BEACON ST 8	BOSTON	2115	WOLFSON MARY		412 BEACON ST #8	BOSTON	MA	2115	8669.75293	451.1041711
33655	503501000	503501018	503501000	412 BEACON ST 9	BOSTON	2115	ALBASSAM NISREEN TS	C/O NISREEN ALBASSAM	412 BEACON ST #9	BOSTON	MA	2115	8669.75293	451.1041711
127436	503502000	503502000	503502000	414 BEACON ST	BOSTON	2115	FOUR 14 BEACON ST CONDO TR		414 BEACON	BOSTON	MA	2115	4622.656006	404.8784329
127437	503502000	503502002	503502000	414 BEACON ST 1	BOSTON	2115	DITTRICH DYLAN R		414 BEACON ST #1	BOSTON	MA	2115	4622.656006	404.8784329
127439	503502000	503502006	503502000	414 BEACON ST 2	BOSTON	2115	KOYMEN SEMRA		414 BEACON ST #2	BOSTON	MA	2115	4622.656006	404.8784329
127440	503502000	503502008	503502000	414 BEACON ST 3	BOSTON	2115	RICHARD B GREENBERG		414 BEACON ST #3	BOSTON	MA	2115	4622.656006	404.8784329
127441	503502000	503502010	503502000	414 BEACON ST 4	BOSTON	2115	WU MEIJUAN		414 BEACON ST, UNIT 4	BOSTON	MA	2115	4622.656006	404.8784329
127438	503502000	503502004	503502000	414 BEACON ST 5	BOSTON	2115	POST JASON B		414 BEACON ST #5	BOSTON	MA	2115	4622.656006	404.8784329
155046	503503000	503503000	503503000	416 BEACON ST	BOSTON	2115	BETA NU HOUSE CORP	C/O TOM GRAY	3 SUNSET LN	HINGHAM	MA	2043	4792.103027	364.8305018
155046	503503000	503503000	503503000	416 BEACON ST	BOSTON	2115	BETA NU HOUSE CORP	C/O TOM GRAY	3 SUNSET LN	HINGHAM	MA	2043	4792.103027	364.8305018
108939	503504000	503504000	503504000	418 BEACON ST	BOSTON	2115	NEW ENGLAND COLLEGE		418 BEACON	BOSTON	MA	2115	4111.187012	356.19789
138971	503505000	503505000	503505000	420 BEACON ST	BOSTON	2115	NEW ENGLAND COLLEGE		424 BEACON ST	BOSTON	MA	2115	6019.263428	382.1984635
80603	503506000	503506000	503506000	422 BEACON ST	BOSTON	2115	NEW ENGLAND COLLEGE		424 BEACON ST	BOSTON	MA	2115	4261.988281	359.4919815
169055	503507000	503507000	503507000	424 BEACON ST	BOSTON	2115	NEW ENGLAND COLLEGE		424 BEACON	BOSTON	MA	2115	4457.505127	362.4448523
168533	503508000	503508000	503508000	426 BEACON ST	BOSTON	2115	NEW ENGLAND COLLEGE		426 BEACON	BOSTON	MA	2115	3857.994141	354.7671875



DETAIL DISC ATTACHMENT



PLAN VIEW/FOOTING LAYOUT
(Layout Varies - See Your Plan)



- 120710 8" Height (Shown)
- 158997 10" Height
- 120711 16" Height
- 158998 20" Height
- 120712 24" Height
- 120713 30" Height

Climbers

Pod Climbers

Parts List

Part#	Description	Qty.
126956	Disc, Specify Color	*
169340	Support 8" (SM), Specify Color	*
169339	Support 8" (DB), Specify Color	*
169342	Support 10" (SM), Specify Color	*
169341	Support 10" (DB), Specify Color	*
169344	Support 16" (SM), Specify Color	*
169343	Support 16" (DB), Specify Color	*
156625	Support 20" (SM), Specify Color	*
156627	Support 20" (DB), Specify Color	*
120605	Support 24" (SM), Specify Color	*
120601	Support 24" (DB), Specify Color	*
153987	Support 30" (SM), Specify Color	*
153988	Support 30" (DB), Specify Color	*
183871	Disc Climber Hardware Package	1
100196	3/8" x 7/8" BHCS w/Pin, SST	3
100365	3/8" Flat Washer, SST	3
156847	Play Safe Label, 5-12 Yrs	1
183064	Warning Label	1
121348	4 Hole (SM) Hardware Package	1
100266	1/2" x 2 3/4" Expansion Anchor	4
100322	1/2" Standard Hex Nut, SST	4
100363	1/2" Flat Washer, SST	4

DB = Direct Bury

SM = Surface Mount

* = Quantity Determined By Your Order

Specifications

Disc: Rotationally molded from U.V. stabilized linear low density polyethylene, disc measures 14" in diameter x 7" high, color specified.

Support: Weldment comprised of 1.900" O.D. RS20 (.090" - .100" Wall), 1.315" O.D. RS20 (.080" - .090" Wall) and 3/16" x 5" diameter plate. Finish: ProShield®, color specified.

Fasteners: Primary fasteners shall be socketed and pinned tamperproof in design, stainless steel (SST) per ASTM F 879 unless otherwise indicated (see specific product installation/specifications).

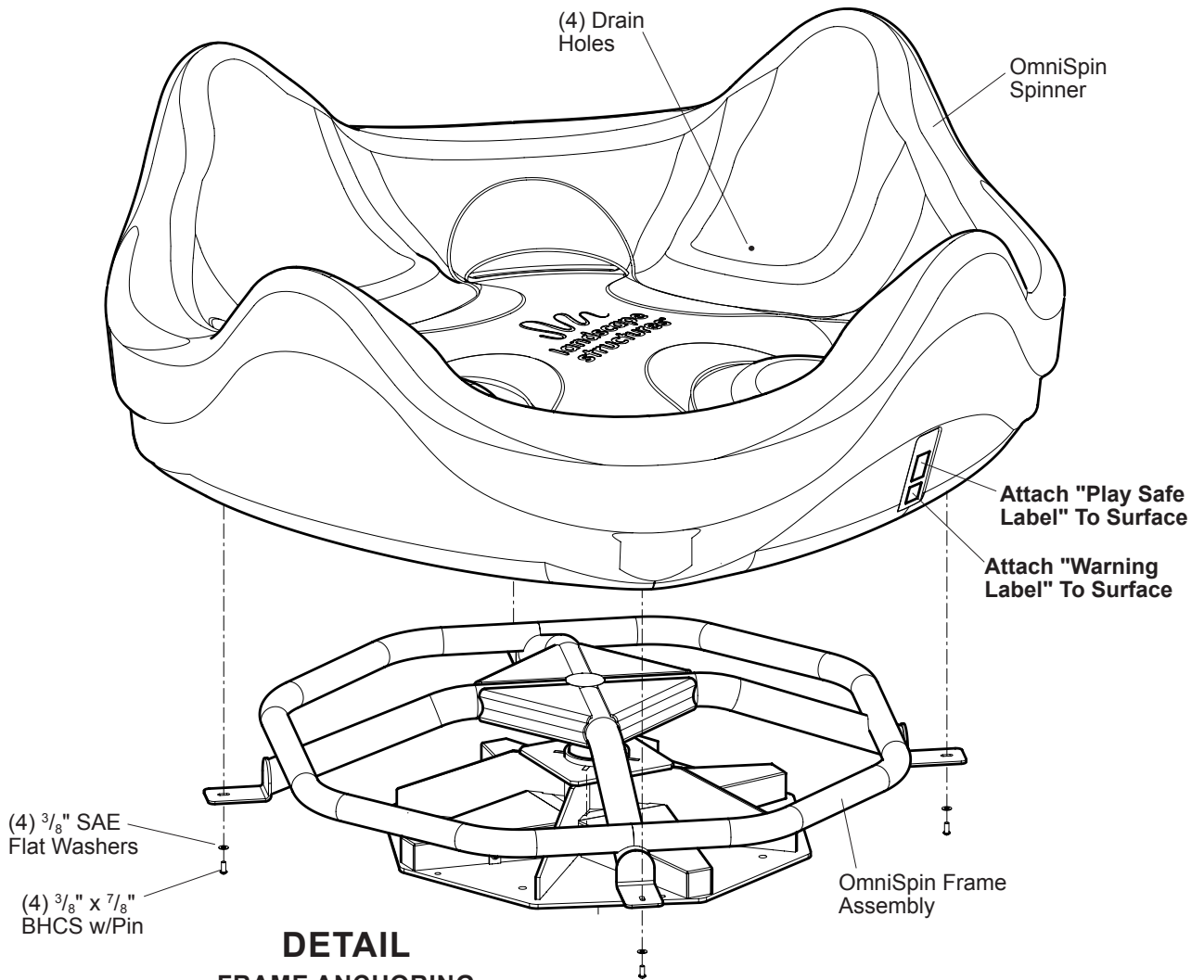
Installation Time: SM - Approx. 1/2 man hour each
DB - Approx. 3/4 man hour each

Concrete Req.: Approx. 1.31 cu. ft. each

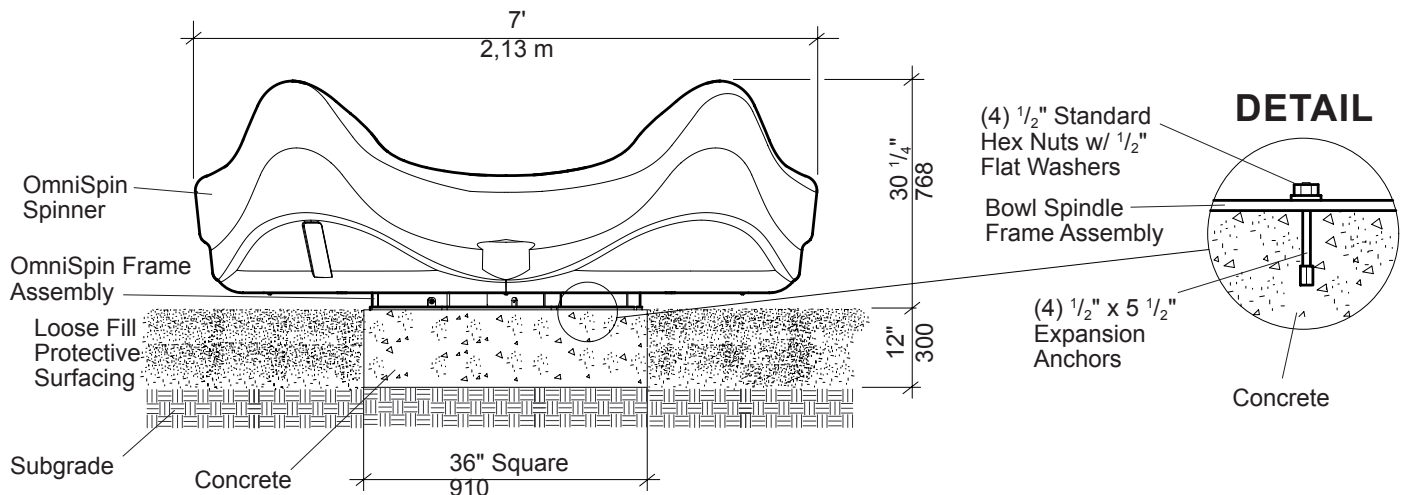
Weight:
8" - 12 lbs.
10" - 13 lbs.
16" - 14 lbs.
20" - 15 lbs.
24" - 15 lbs.
30" - 16 lbs.

Installation Instructions

- 1) **(Direct Bury)** Dig footing as shown. See your Plan View/Footing Layout.
- 2) Attach disc to support using 3/8" x 7/8" BHCS w/pin with 3/8" flat washers, as shown.
- 3) **(Direct Bury)** Position support in footing hole and pour concrete footing. With support post plumb, prop support to hold in position.
(Surface Mount) Mark anchor bolt locations on concrete slab through holes in support plate. Remove disc climber. Drill 3" deep holes on marks into concrete slab using hammer drill and 1/2" masonry bit. Tap expansion anchors into holes and secure disc climber using 1/2" standard hex nuts with 1/2" flat washers.
- 4) Apply labels as shown.
- 5) Install protective surfacing before users are allowed to play on the structure.



DETAIL
FRAME ANCHORING





Kids in Motion 173591 OmniSpin® Spinner

Parts List

Part#	Description	Qty.
171060	OmniSpin Spinner, Specify Color.....	1
171061	OmniSpin Spinner Frame Assy., Black.....	1
183892	OmniSpin Spinner Hardware Package	1
100196	3/8" x 7/8" BHCS w/Pin, SST.....	4
100365	3/8" SAE Flat Washer, SST.....	4
156846	Play Safe Label, 2-12 Years.....	1
183064	Warning Label	1
175599	4 Hole (SM) Hardware Package	1
100271	1/2" x 5 1/2" Expansion Anchor w/Nut/Washer.....	4

SM = Surface Mount

Specifications

OmniSpin Spinner: Rotationally molded from U.V. stabilized linear low density polyethylene, color specified.

OmniSpin Spinner

Frame Assembly: (Frame) Weldment comprised of 2.375" O.D. RS20 (.095"-.105" wall) galvanized steel tubing, 2.875" O.D. RS40 (.160"-.170" wall) galvanized steel tubing, 1/4" HR flat steel and 3 1/2" O.D. CF steel bar. (Base) Weldment comprised of 3/8" HRPO sheet steel and 3/16" HRPO sheet steel. (Shock Covers) 16 GA (.060") HRPO sheet steel. (Crank Arms & Pins) Fabricated from stainless steel. (Shocks) Gas shocks with fixed bearings. Finish: ProShield®, black in color.

Fasteners: Primary fasteners shall be socketed and pinned tamperproof in design, stainless steel (SST) per ASTM F 879 unless otherwise indicated (see specific product installation/specifications).

Installation Time: (Direct Bury) Concrete Footing - 2 People approx. 3 hours
Assembly - 3 People 1 hour

Concrete: (Direct Bury) 9 cu. ft.

Weight: 499 lbs.

Actual Size: 7' x 7' (2,13 m x 2,13 m)

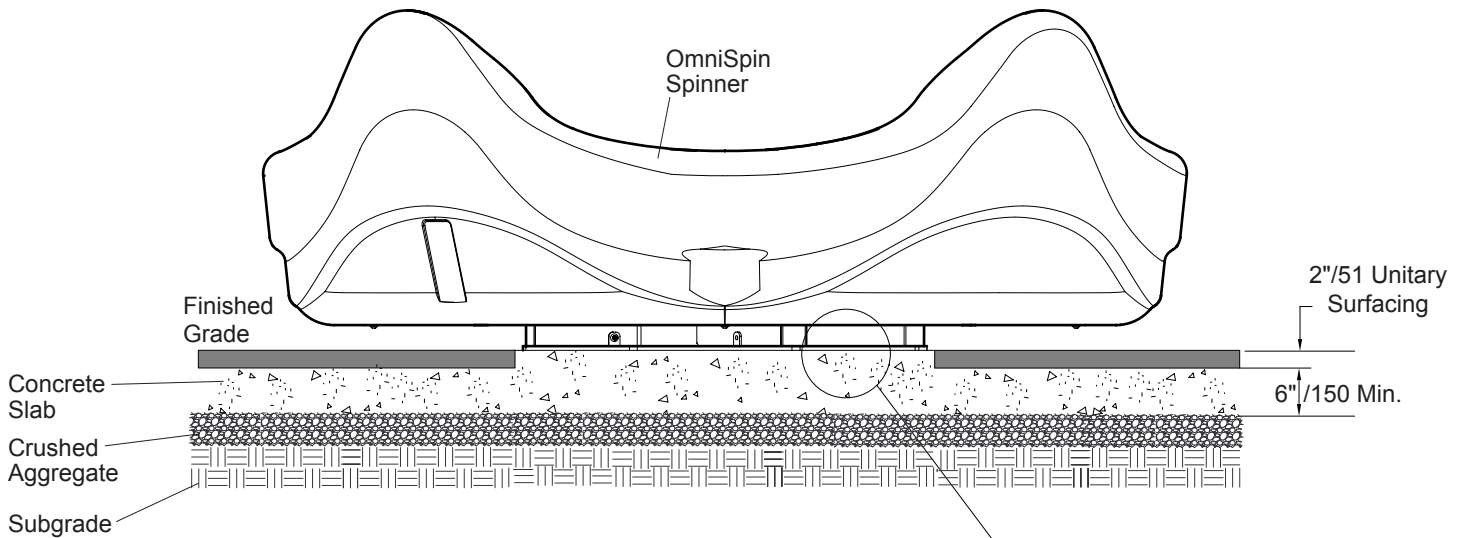
Area Required: 19' (5,79 m) Diameter ASTM

Fall Height: 18" (460 mm)

Installation Instructions

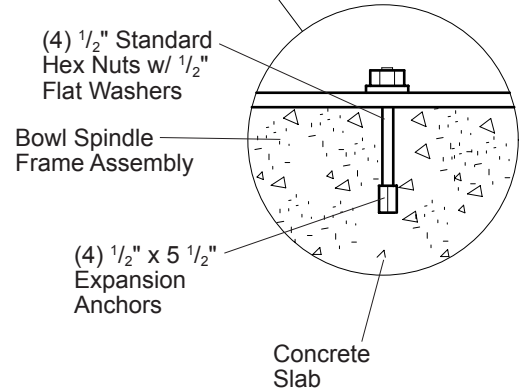
- 1) **(Direct Bury)** Build and pour concrete footing. Refer to Frame Anchoring Details. Allow concrete footing to cure for a minimum of 72 hours before continuing.
- 2) With OmniSpin Spinner frame in position, drill through 4 outside holes in OmniSpin Spinner frame 5 1/2" deep into concrete slab, using 1/2" masonry bit and hammer drill. Refer to the Frame Anchoring Detail.
- 3) Tap 1/2" x 5 1/2" expansion anchors into drilled holes and secure using 1/2" standard hex nuts with 1/2" flat washers. Refer to the Frame Anchoring Details.
- 4) Attach OmniSpin Spinner to OmniSpin Spinner frame, using 3/8" x 7/8" BHCS w/pin and 3/8" SAE flat washers.
- 5) Apply labels as shown.
- 6) Install protective surfacing before users are allowed to play on the component.

Unitary Surfacing

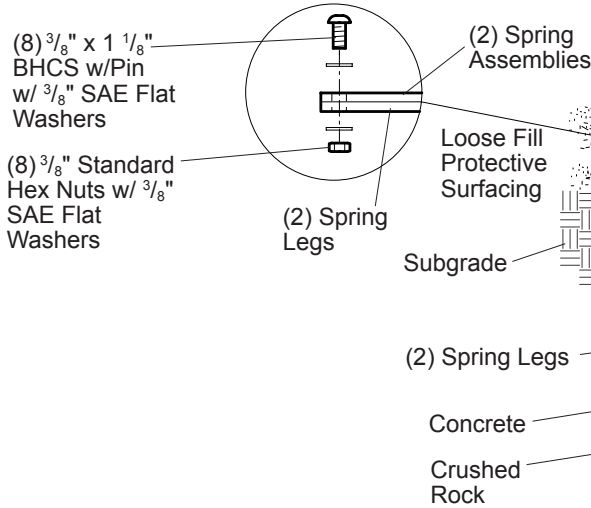


NOTE: When using unitary surfacing on crushed aggregate, refer to Frame Anchoring Detail for loose fill protective surfacing.

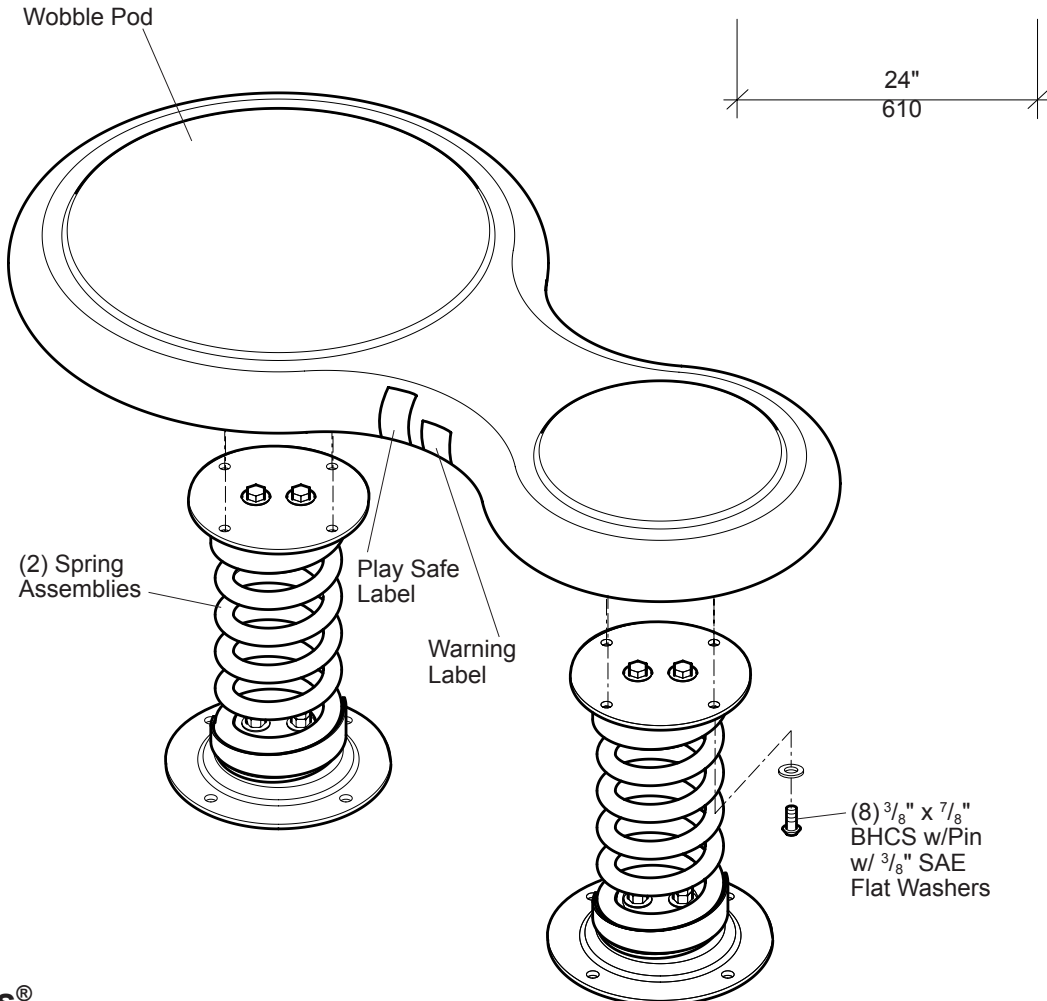
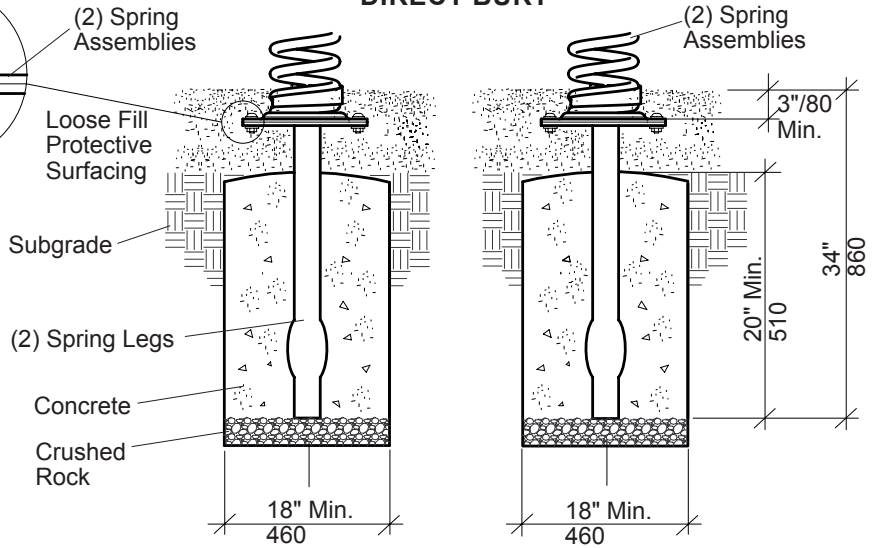
DETAIL



DETAIL
SPRING LEG ATTACHMENT



DETAIL
DIRECT BURY



Evos®
Kids In Motion

156452 Wobble Pod® Bouncer



Evos® Kids In Motion 156452 Wobble Pod® Bouncer

Parts List

Part#	Description	Qty.
115154	Spring Leg, Specify Color.....	2
154631	Wobble Pod, Specify Color.....	1
156913	Spring Assembly w/Plates, Specify Color.....	2
184632	Wobble Pod Hardware Package	1
100196	³ / ₈ " x ⁷ / ₈ " BHCS w/Pin, SST	8
100198	³ / ₈ " x 1 ¹ / ₈ " BHCS w/Pin, SST	8
100327	³ / ₈ " Standard Hex Nut, SST	8
100365	³ / ₈ " SAE Flat Washer, SST.....	24
156847	Play Safe Label, 5-12 Yrs.....	1
183064	Warning Label	1

Specifications

Wobble Pod: Rotationally molded from U.V. stabilized linear low density polyethylene, color specified.

Spring Assembly: Comprised of 5 ⁵/₈" diameter ¹³/₁₆" tempered alloy steel coil, ¹/₄" thick HRPO zinc plated steel, ¹/₄" thick HRPO sheet steel and spring wedge casting made from A-356 T-6 aluminum. Finish: ProShield®, color specified.

Spring Leg: Weldment comprised of 3 ¹/₂" O.D. RS20 (.120" - .130" Wall) galvanized steel tubing and ¹/₄" x 10" diameter HRPO zinc plated steel mounting plate. ProShield, color specified.

Fasteners: Primary fasteners shall be socketed and pinned tamperproof in design, stainless steel (SST) per ASTM F 879 unless otherwise indicated (see specific product installation/specifications).

Installation Time: Approx. 2 man hours

Concrete Req.: Approx. 6 cu. ft.

Area Req.: 6' (1.83 m) minimum use zone

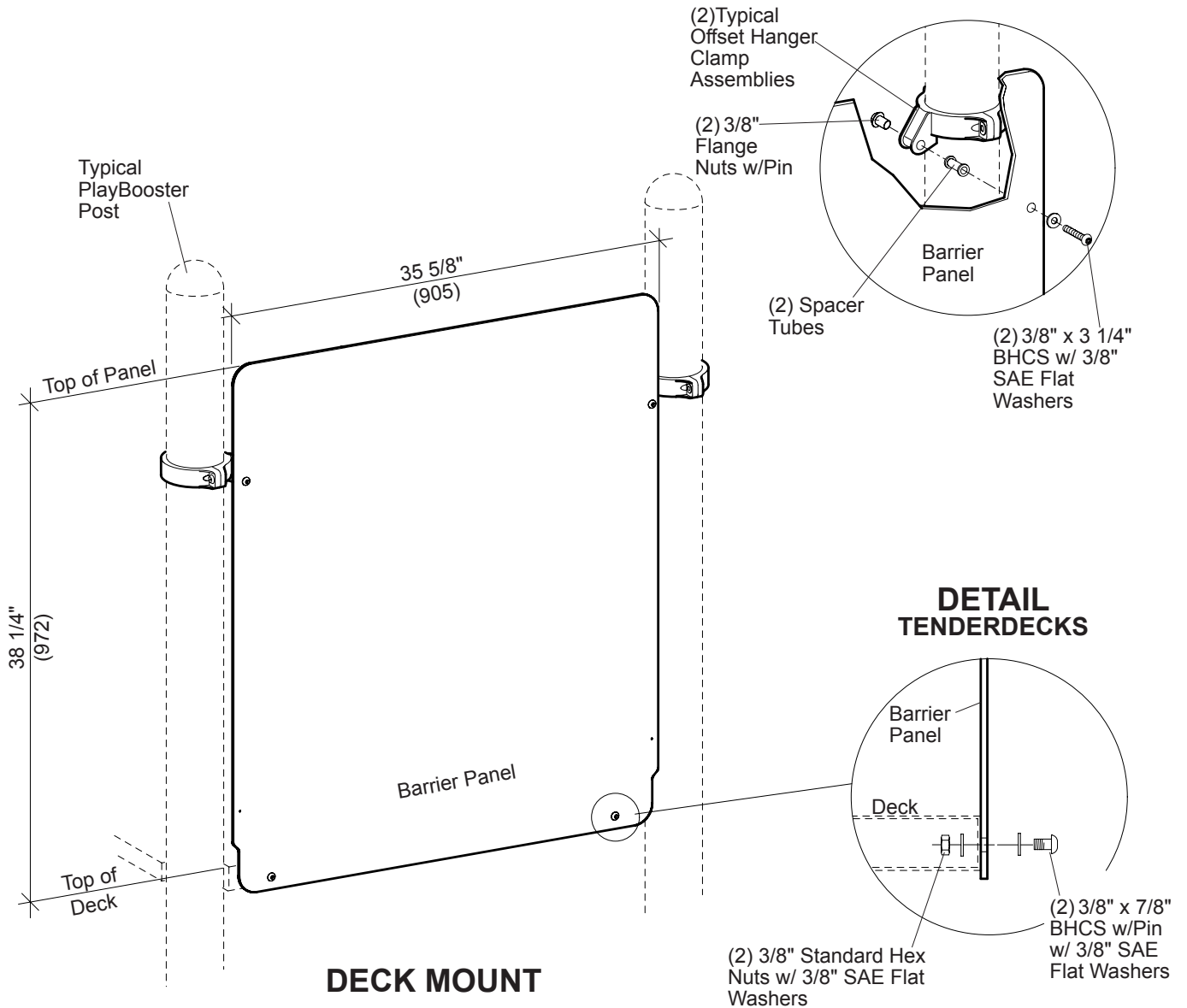
Weight: 122 lbs.

Fall Height: 16" (410 mm)

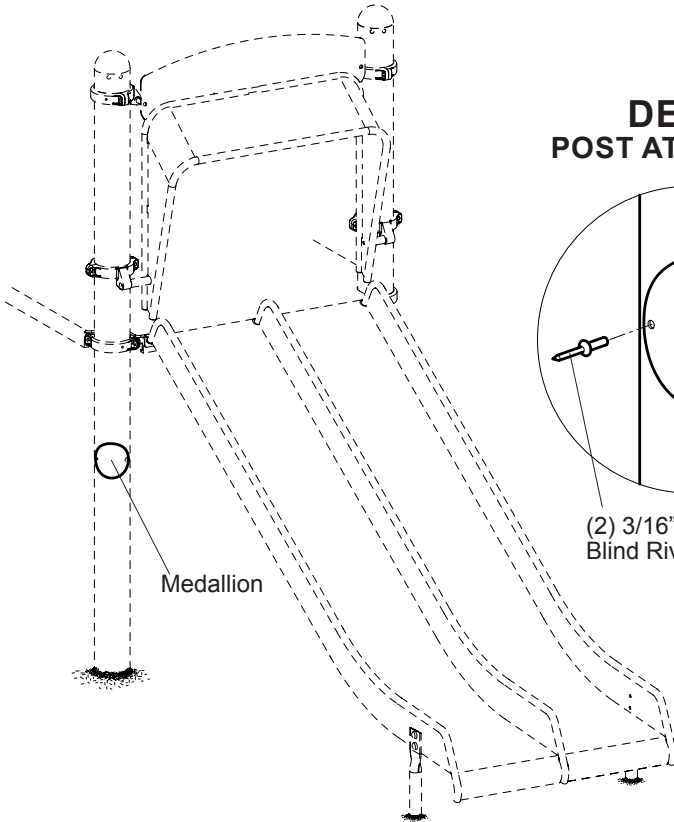
Installation Instructions

- 1) Dig footing holes as shown. Refer to the Site Plan for proper location of Wobble Pods.
- 2) Attach spring assemblies to Wobble Pod, using ³/₈" x ⁷/₈" BHCS w/pin with ³/₈" SAE flat washers, as shown.
- 3) Attach spring legs to spring assemblies, using ³/₈" x 1 ¹/₈" BHCS w/pin with ³/₈" SAE flat washers and ³/₈" standard hex nuts with ³/₈" SAE flat washers, as shown. Refer to the Spring Leg Attachment Detail.
- 4) With Wobble Pod propped in plumb position, pour concrete footings. Allow concrete footings to cure for a minimum of 72 hours before users are allowed to play on the structure.
- 5) Apply labels as shown.
- 6) Install protective surfacing before users are allowed to play on the component.

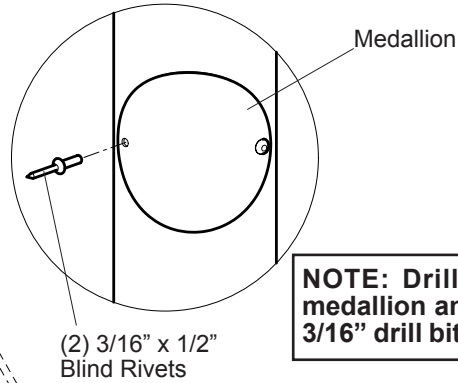
**DETAIL
BARRIER ATTACHMENT**



NOTE: Due to the possibility of scratching, it is important to leave packaging on barrier panel until immediately prior to installation.



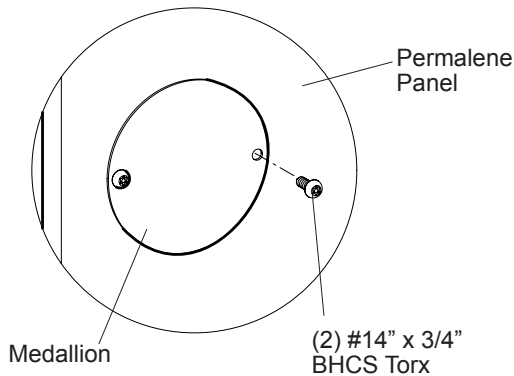
**DETAIL
POST ATTACHMENT**



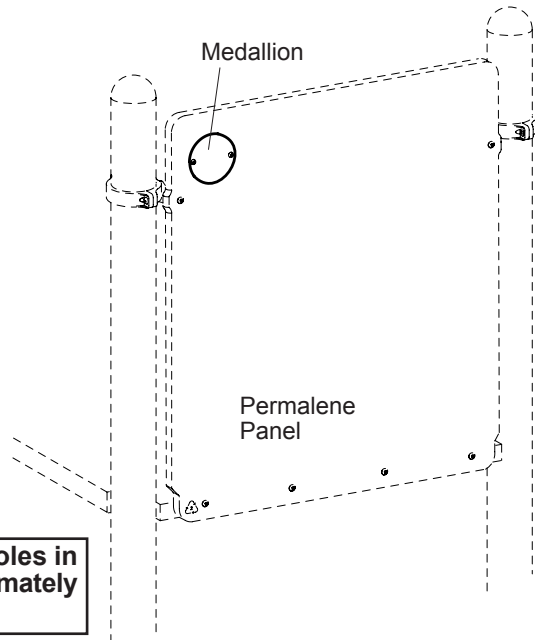
NOTE: Drill through holes in medallion and into post using a 3/16" drill bit, then insert rivets.

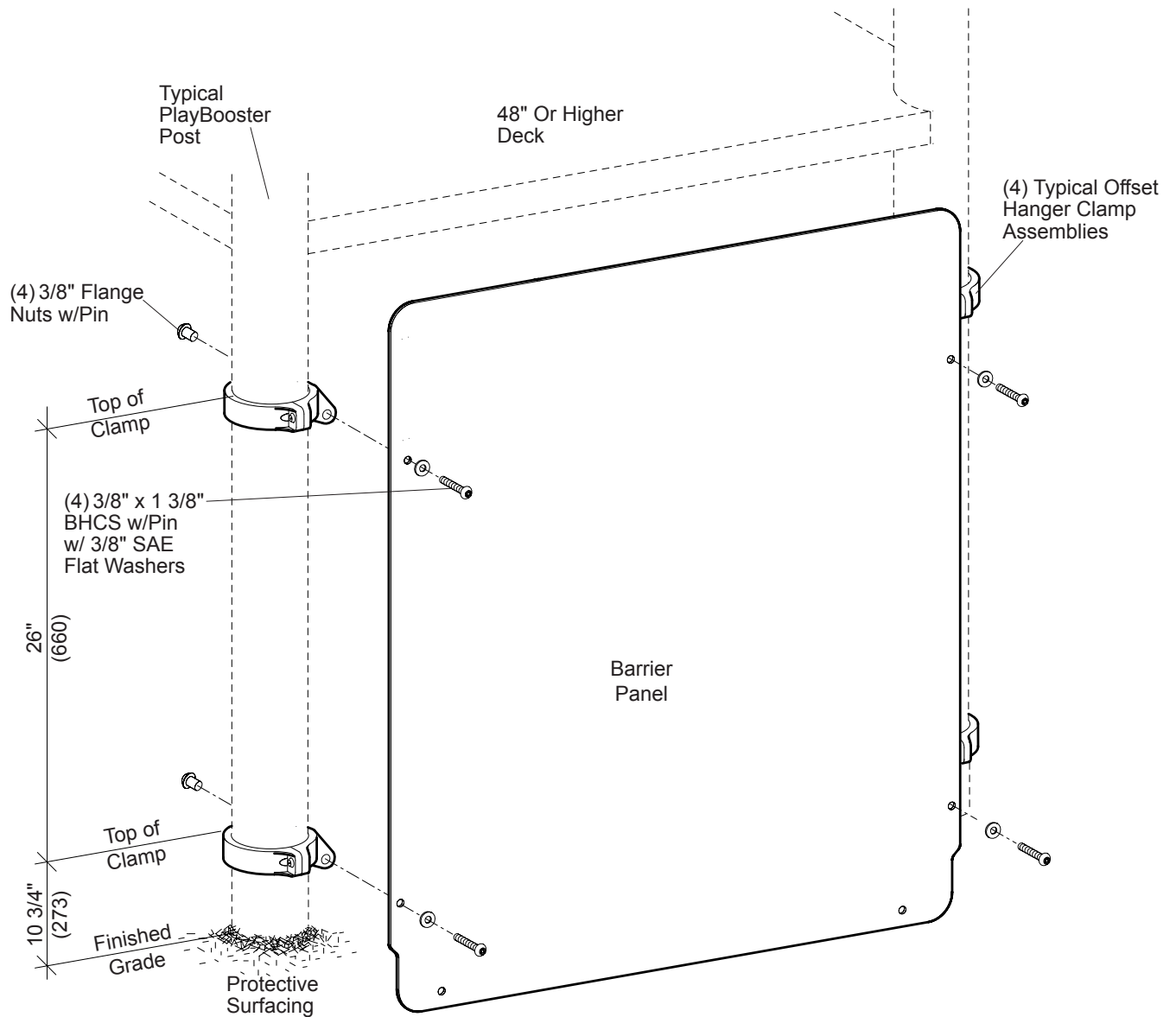
NOTE: Attach medallions to posts and Permalene® panels in various locations throughout the playground. Two examples of where medallions could be attached are shown.

**DETAIL
PERMALENE® PANEL
ATTACHMENT**



NOTE: Using a 1/8" drill bit, drill through holes in medallion and into Permalene panel approximately 1/4", then insert #14 x 3/4" BHCS Torx.





BELOW DECK MOUNT

NOTE: Due to the possibility of scratching, it is important to leave packaging on barrier panel until immediately prior to installation.



PlayBooster® 218172 Digifuse Barrier w/Medallions

Parts List

Part#	Description	Qty.
ABOVE DECK		
100610	1/4" x 5/8" Drive Rivet, AL/SST	2
105327	5" Half Clamp, Specify Color	2
113468	Spacer Tube, Specify Color	2
113729	Offset Hanger Clamp, Specify Color	2
218151	Animal Tracks Digifuse Barrier Panel w/Medallions ...	*
218158	Insects Digifuse Barrier Panel w/Medallions	*
218165	Camping Digifuse Barrier Panel w/Medallions	*
220945	Animal Tracks Medallion Set	*
218152	1 Gray Wolf Digifuse Medallion	1
218153	2 Deer Digifuse Medallion	1
218154	3 Coyote Digifuse Medallion	1
218155	4 Beaver Digifuse Medallion	1
218156	5 Wild Turkey Digifuse Medallion	1
218157	6 Black Bear Digifuse Medallion	1
220946	Insects Medallion Set	*
218159	1 Dragonfly Digifuse Medallion	1
218160	2 Butterfly Digifuse Medallion	1
218161	3 Bee Digifuse Medallion	1
218162	4 Ladybug Digifuse Medallion	1
218163	5 Spider Digifuse Medallion	1
218164	6 Caterpillar Digifuse Medallion	1
220947	Camping Medallion Set	*
218166	1 Sightsee Digifuse Medallion	1
218167	2 Canoe Digifuse Medallion	1
218168	3 Forest Digifuse Medallion	1
218169	4 Fish Digifuse Medallion	1
218170	5 Picnic Digifuse Medallion	1
218171	6 Camper Digifuse Medallion	1
218176	Above Deck Hardware Package	1
100168	3/8" x 3 1/4" BHCS, SST	2
100196	3/8" x 7/8" BHCS w/Pin, SST	2
100198	3/8" x 1 1/8" BHCS w/Pin, SST	4
100327	3/8" Standard Hex Nut, SST	2
100351	3/8" Tee Nut, SST	4
100353	3/8" Flange Nut w/Pin, SST	2
100365	3/8" SAE Flat Washer, SST	6
220909	Digifuse Medallions Hardware Package	*
100607	3/16" x 1/2" Blind Rivet, SST	6
127463	T-27 TPP Hex Bit (Torx)	1
216760	#14 x 3/4" BHCS Torx, SST	6

* = Quantity Based On Your Order

Parts List

Part#	Description	Qty.
BELOW DECK		
100610	1/4" x 5/8" Drive Rivet, AL/SST	4
105327	5" Half Clamp, Specify Color	4
113729	Offset Hanger Clamp, Specify Color	4
218151	Animal Tracks Digifuse Barrier Panel w/Medallions ...	*
218158	Insects Digifuse Barrier Panel w/Medallions	*
218165	Camping Digifuse Barrier Panel w/Medallions	*
220945	Animal Tracks Medallion Set	*
218152	1 Gray Wolf Digifuse Medallion	1
218153	2 Deer Digifuse Medallion	1
218154	3 Coyote Digifuse Medallion	1
218155	4 Beaver Digifuse Medallion	1
218156	5 Wild Turkey Digifuse Medallion	1
218157	6 Black Bear Digifuse Medallion	1
220946	Insects Medallion Set	*
218159	1 Dragonfly Digifuse Medallion	1
218160	2 Butterfly Digifuse Medallion	1
218161	3 Bee Digifuse Medallion	1
218162	4 Ladybug Digifuse Medallion	1
218163	5 Spider Digifuse Medallion	1
218164	6 Caterpillar Digifuse Medallion	1
220947	Camping Medallion Set	*
218166	1 Sightsee Digifuse Medallion	1
218167	2 Canoe Digifuse Medallion	1
218168	3 Forest Digifuse Medallion	1
218169	4 Fish Digifuse Medallion	1
218170	5 Picnic Digifuse Medallion	1
218171	6 Camper Digifuse Medallion	1
139528	Below Deck Hardware Package	1
100198	3/8" x 1 1/8" BHCS w/Pin, SST	8
100351	3/8" Tee Nut, SST	8
100353	3/8" Flange Nut w/Pin, SST	4
100365	3/8" SAE Flat Washer, SST	4
113027	3/8" x 1 3/8" BHCS w/Pin, SST	4
220909	Digifuse Medallions Hardware Package	*
100607	3/16" x 1/2" Blind Rivet, SST	6
127463	T-27 TPP Hex Bit (Torx)	1
216760	#14 x 3/4" BHCS Torx, SST	6

* = Quantity Based On Your Order

Specifications

DigiFuse

Barrier Panel: Made from 1/4" (6,35 mm) thick aluminum sheet. Dye sublimation printed digital artwork is fused onto the powdercoated substrate.

Medallion Plate: Made from .063" (1,60 mm) thick aluminum plate, 4" (101 mm) in diameter. Finish: ProShield®, white in color with a clear coat finish.

Spacer Tube: Made from 6061-T6 aluminum 7/8" (22,22 mm) O.D. x 1 11/16" (42,84 mm). Finish: ProShield, color specified.

Clamp: Cast aluminum. Finish: ProShield, color specified.

Fasteners: Primary fasteners shall be socketed and pinned tamperproof in design, stainless steel (SST) per ASTM F 879 unless otherwise indicated (see specific product installation/specifications).

Installation Time: Above Deck Approx. 1 1/4 man hours
Below Deck Approx. 1 1/2 man hours

Weight: Above Deck 43 lbs.
Below Deck 46 lbs.

Installation Instructions

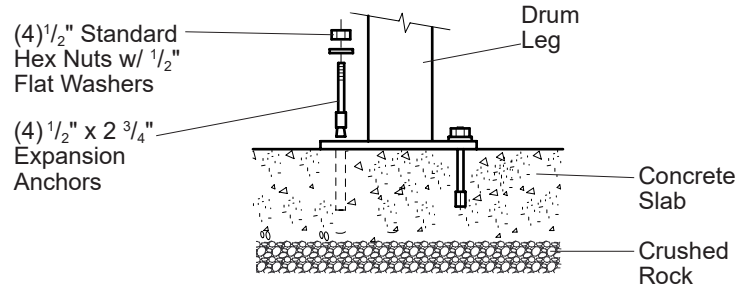
ABOVE DECK (See Sheet 1)

- 1) Attach barrier panel to the face of the deck. Refer to the Tenderdeck Detail on sheet 1.
- 2) Attach offset hanger clamps to barrier panel. See Barrier Attachment Detail.
- 3) Attach offset hanger clamps to posts, using half clamps and 3/8" x 1 1/8" BHCS w/pin with 3/8" tee nuts. Refer to the Typical Offset Hanger Clamp Spec Sheet.
- 4) Attach medallions to posts and Permalene panels in various locations through out the playground. Refer to Attachment Details on sheet 2.
- 5) Install 1/4" x 5/8" drive rivets in all 5" half clamps. Refer to the Typical Offset Hanger Clamp Spec Sheet.
- 6) Install protective surfacing before users are allowed to play on the structure.

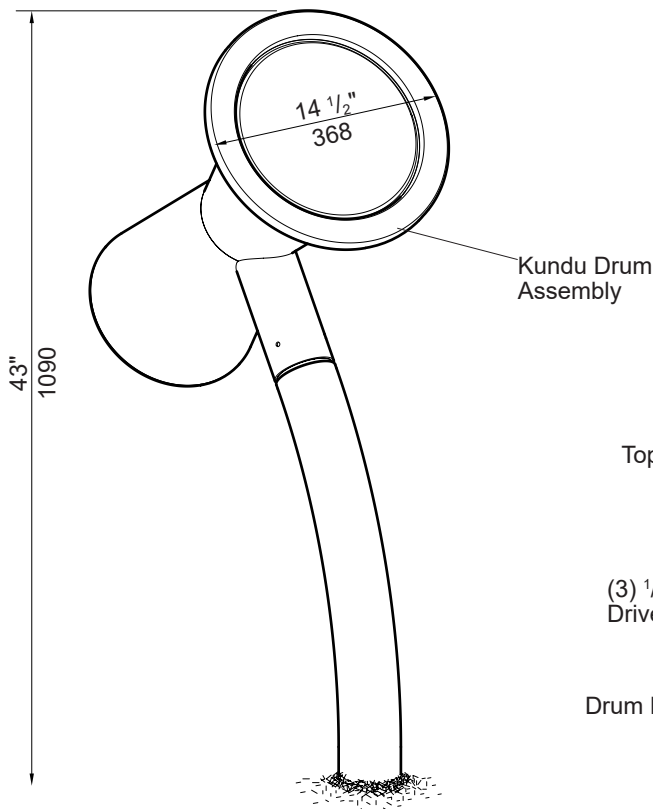
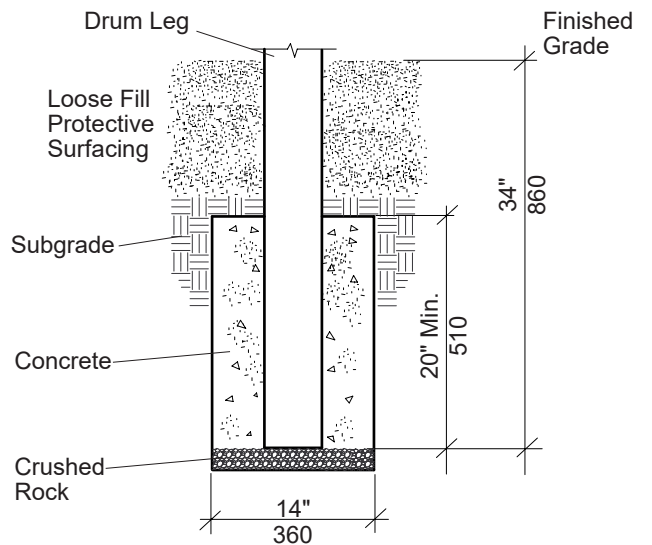
BELOW DECK (See Sheet 3)

- 1) Attach offset hanger clamps to posts at heights shown, using half clamps and 3/8" x 1 1/8" BHCS w/pin with 3/8" tee nuts. Refer to the Typical Offset Hanger Clamp Spec Sheet.
- 2) Drill out the lower two pilot holes in barrier panel to 7/16" diameter. Spray holes with touch-up paint provided to avoid corrosion.
- 3) Attach barrier panel to offset hanger clamp assemblies. See Panel Attachment Detail.
- 4) Attach medallions to posts and Permalene® panels in various locations through out the playground. Refer to Attachment Details on sheet 2.
- 5) Install 1/4" x 5/8" drive rivets in all 5" half clamps. Refer to the Typical Offset Hanger Clamp Spec Sheet.
- 6) Install protective surfacing before users are allowed to play on the structure.

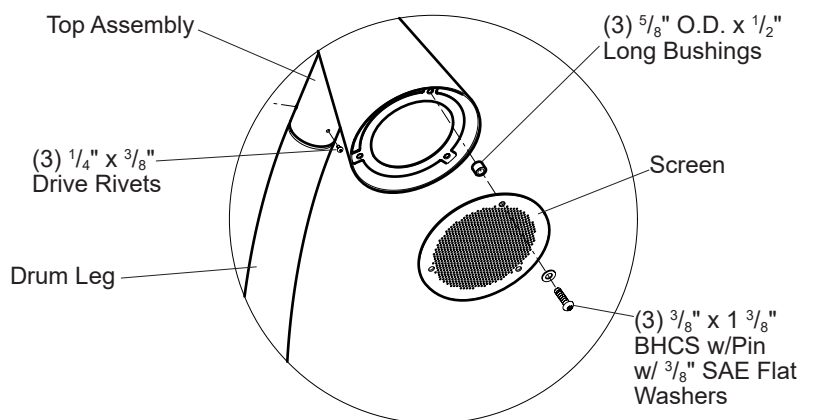
**DETAIL
SURFACE MOUNT**



**DETAIL
DIRECT BURY**



**DETAIL
SCREEN ATTACHMENT**



Sensory Play

214444 Kundu Drum



Sensory Play 214444 Kundu Drum

Parts List

Part#	Description	Qty.
213936	Drum Leg, (DB), Specify Color.....	1
204402	Drum Leg, (SM), Specify Color.....	1
279434	Kundu Drum Top Assembly, Specify Color.....	1
210434	10" Drum Screen, Specify Color.....	1
280641	Goblet/Kundu Drum Hardware Package	1
113027	3/8" x 1 3/8" BHCS w/Pin, SST.....	3
100365	3/8" SAE Flat Washer, SST.....	3
156962	5/8" O.D. x 1/2" Long, SST.....	3
100611	1/4" x 3/8" Drive Rivet, AL/SST.....	3
121348	4-Hole Surface Mount Hardware Package	1
100266	1/2" x 2 3/4" Standard Hex Nut, SST	4
100322	1/2" Standard Hex Nut, SST	4
100363	1/2" Flat Washer, SST	4

DB = Direct Bury
SM = Surface Mount

Specifications

Drum Leg: Made from 3.500" (88,9 mm) O.D. RS20 (.125")(3,17 mm) wall galvanized steel tubing. Finish: ProShield®, color specified.

Top Assembly: Weldment comprised of 3.500" (88,9 mm) O.D. RS20 (.125")(3,17 mm) wall galvanized steel tubing, 11 GA. (.120")(3,05 mm) flat steel and 1/8" (3,17 mm) thick HRPO steel sheet. Finish: ProShield®, color specified.

Trim: Permalene®, color specified.

Screen: Made from 11 GA. (.125")(3,17 mm) thick aluminum sheet. Finish: ProShield®, color specified.

Drum Head: Translucent, UV stabilized polycarbonate with a matte textured surface on one side.

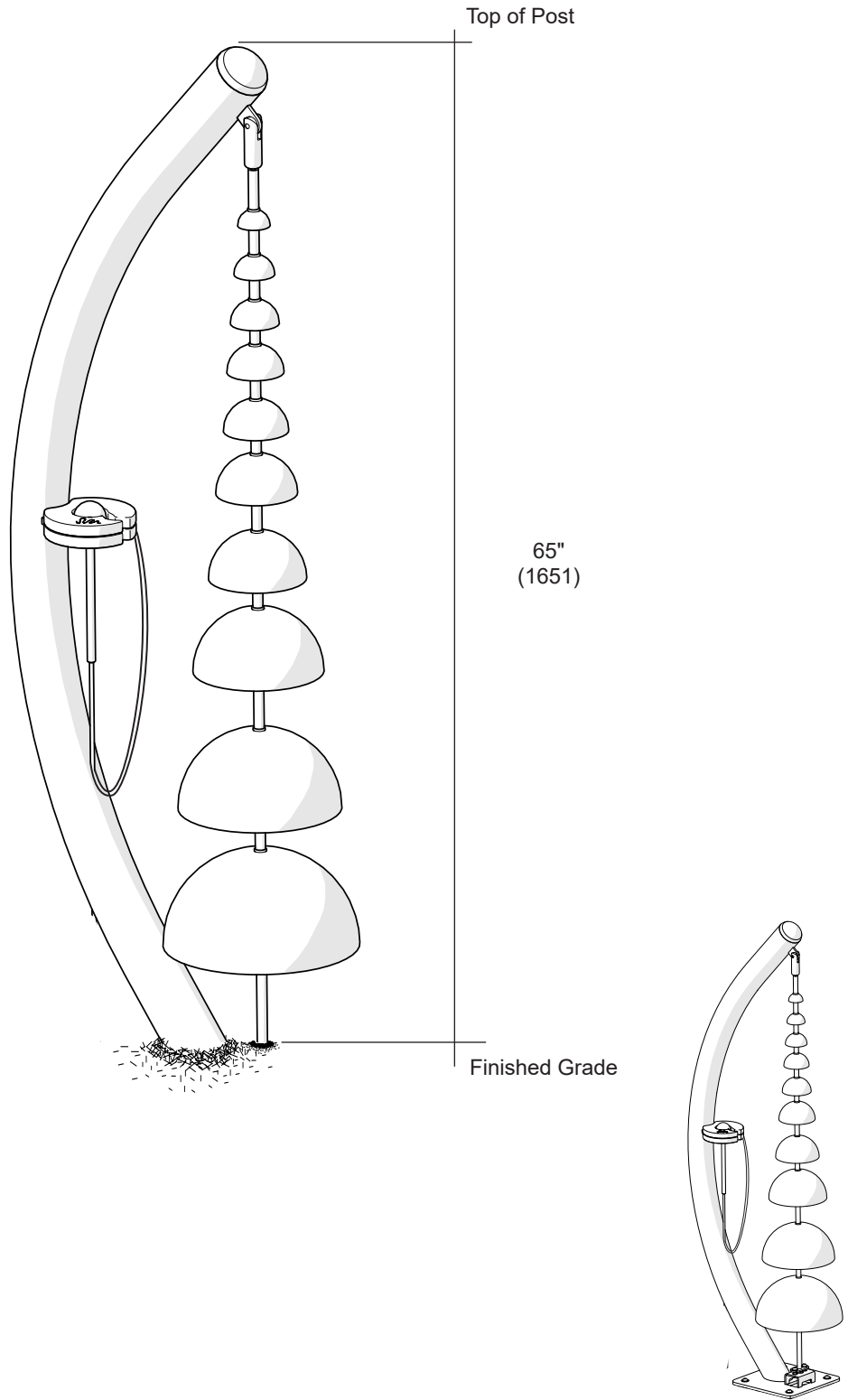
Fasteners: Primary fasteners shall be socketed and pinned tamperproof in design, stainless steel (SST) per ASTM F 879 unless otherwise indicated (see specific product installation/specifications).

Installation Time: DB - Approx. 3 man hours
SM - Approx. 2 1/2 man hours

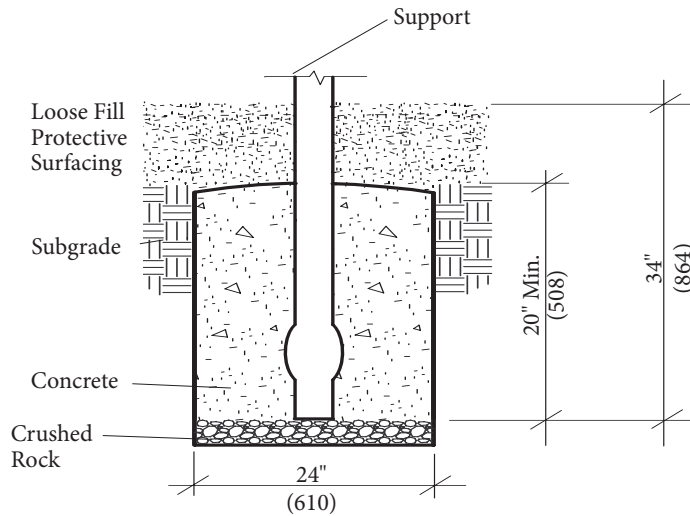
Concrete Req.: DB - Approx. 1.78 cu. ft.
Weight: DB -54 lbs.
SM -49 lbs.

Installation Instructions

- 1) **(Direct Bury)** Dig footing as shown.
- 2) **(Direct Bury)** With lower portion of drum leg plumb and in final position, pour concrete footing. Allow concrete footing to cure for a minimum of 24 hours before attaching drum assembly, drum head and trim to drum leg.
(Surface Mount) Drill 1/2" x 3" deep holes through drum mount post plate using hammer drill and 1/2" masonry bit. Tap expansion anchors into drilled holes. Fasten drum mount post plate to expansion anchors using 1/2" standard hex nuts with 1/2" flat washers.
- 3) Place drum onto leg. Drill through holes in drum assembly and into drum leg with a 1/4" or "F" (only) drill bit. Insert 1/4" x 3/8" drive rivets into holes and hammer rivet pins in until flush with head.
- 4) Attach screen to drum top assembly. Refer to the Screen Attachment Detail.

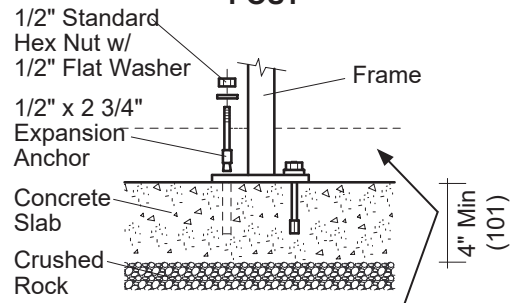


**DETAIL
DIRECT BURY**



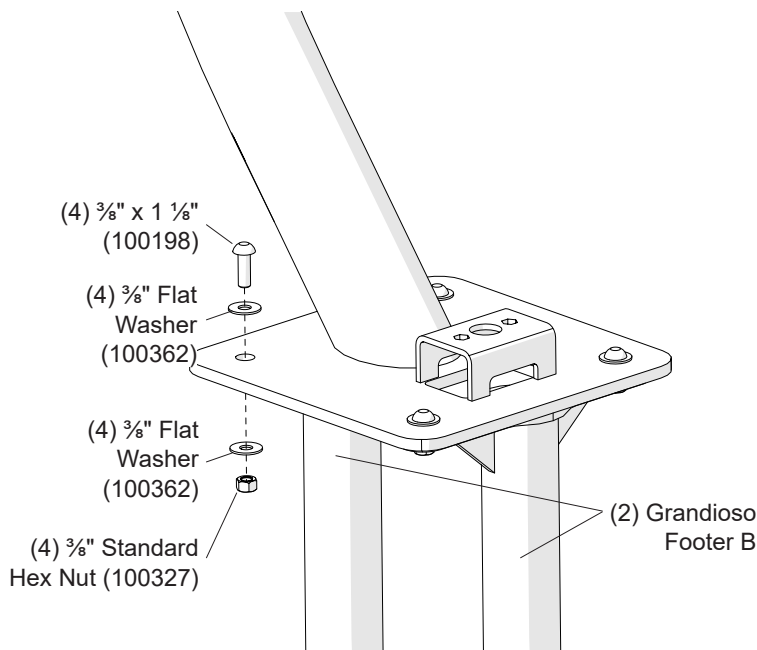
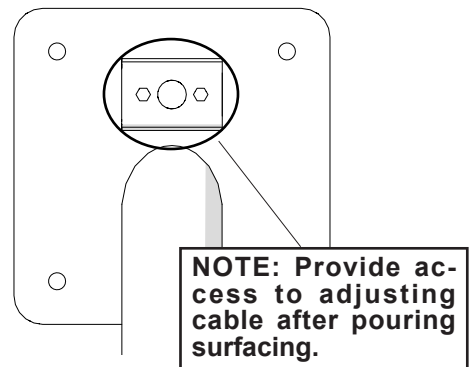
**DETAIL
DIRECT BURY
POST**

**DETAIL
SURFACE MOUNT
POST**



NOTE: Sufficient protective surfacing must cover hardware to satisfy fall height requirements.

**DETAIL
SURFACE MOUNT**

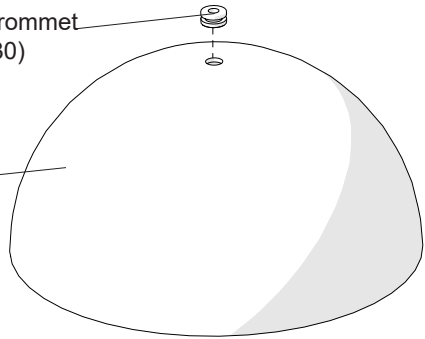


STEP 1

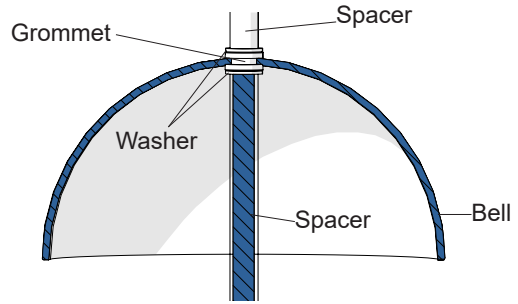
(10) Grommet
(251630)

(10) Bells

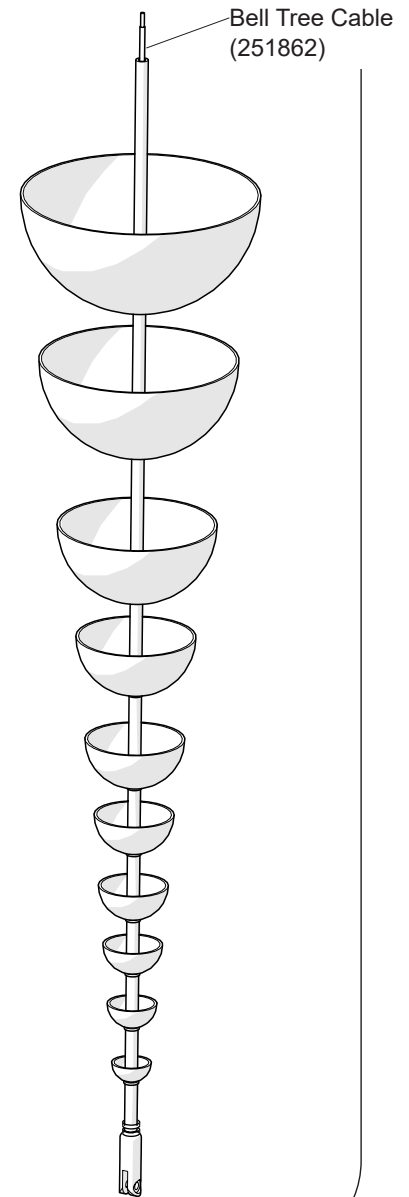
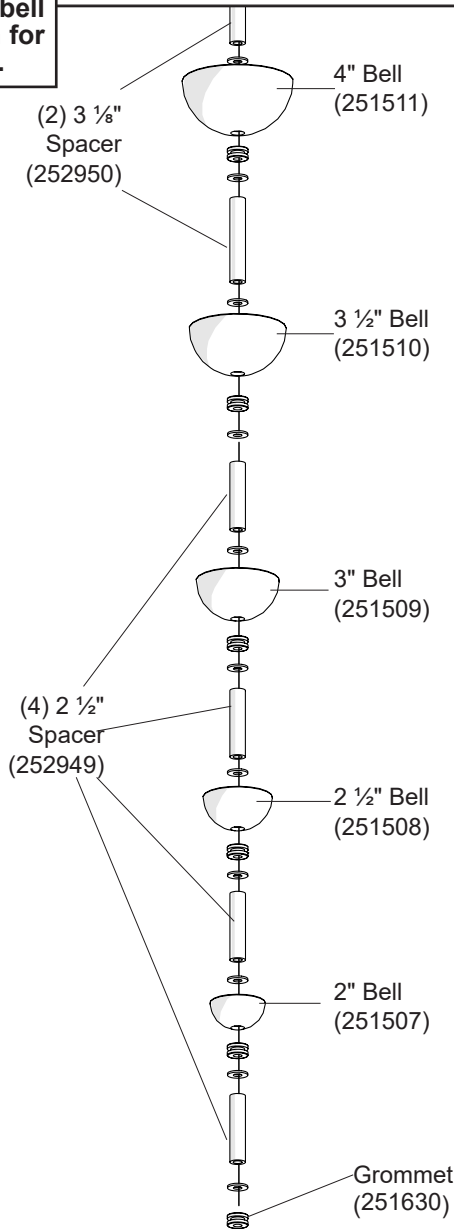
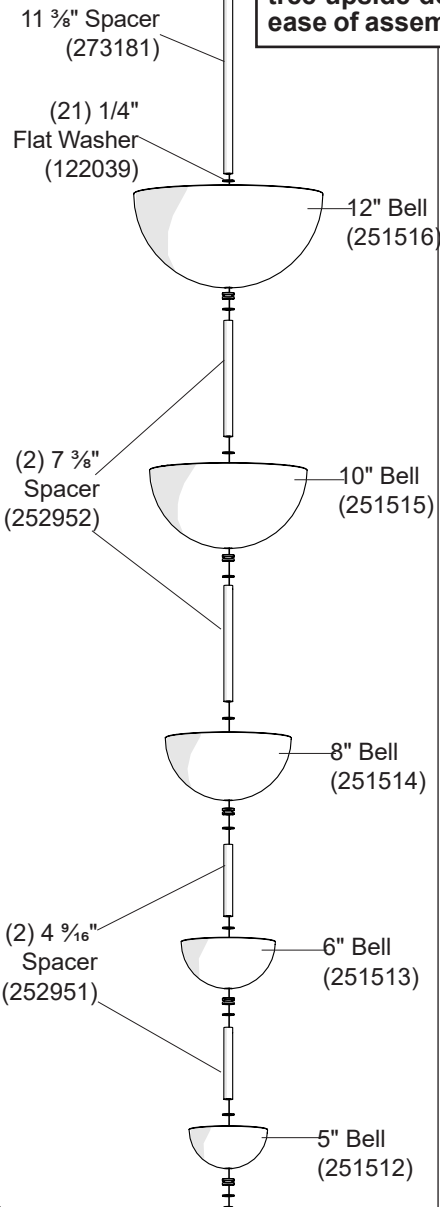
NOTE: All bells receive a grommet before assembling onto cable.



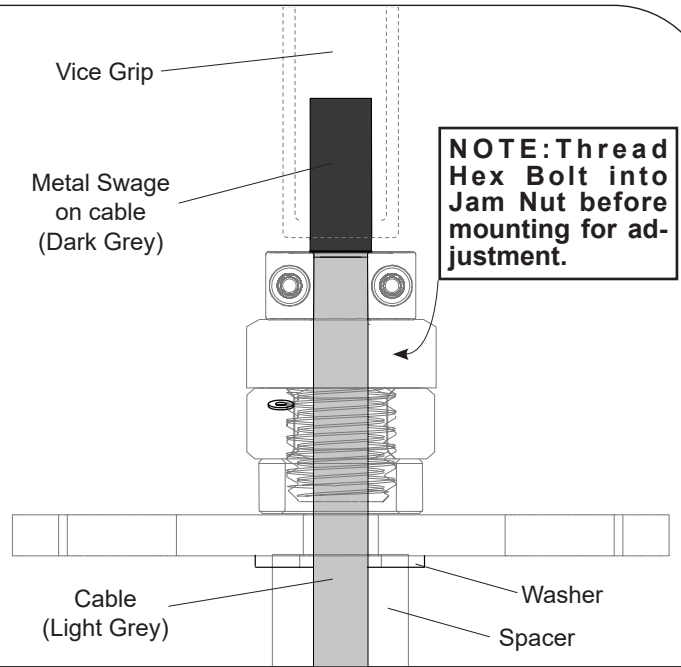
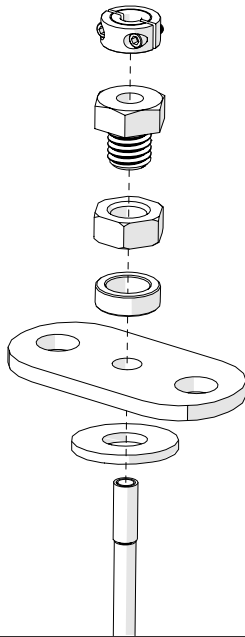
TYPICAL PART SEQUENCE



NOTE: Assemble bell tree upside down for ease of assembly.



STEP 2

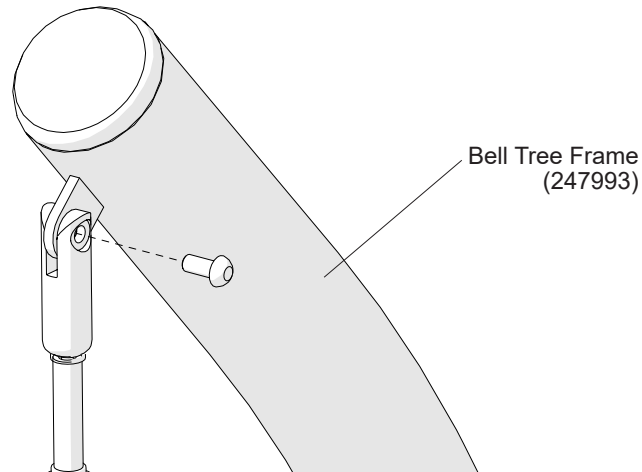


NOTE: Thread Hex Bolt into Jam Nut before mounting for adjustment.

- 1X Clamp Collar (251687)
- 1X 1/2" - 13 x .5 Hex Bolt (251572)
- 1X Tension Plate (248085)

- 1X 1/2" Hex Jam Nut (129693)
- 1X 3/4" x 1/4" Spacer (176653)
- 1X 1/4" Flat Washer (122039)

STEP 3



- 1X LHDS 3/8 x 7/8" BHCS (100290)
- 1X Bell Tree Frame (247993)

- 1X Bell Tree Assembly



<https://bit.ly/2TfjWyZ>

STEP 4

Bell Tree Frame
(247993)

NOTE: Adjust tension on cable stack by threading hex bolt and jam nut apart as far as possible. Refer to video link above.

NOTE: Add washers to minimize gap if it exceeds 1/4" (6.4) in between plate and base.

- 2x 3/8" SAE Flat Washer (100365) 2x 3/8 x 1 1/8" BHCS (100198)

STEP 5

Single Mallet Permalene
Cover Top (268147)

Mallet Assembly
(220676)

Single Mallet Permalene
Cover Bottom (269301)

(2) Music Belt Wedge
(228545)

(4) 5/16" x 1"
BHCS (264971)

- 1x Single Mallet Permalene Cover Top (268147) 1x Single Mallet Permalene Cover Bottom (269301)
- 2x Music Belt Wedge (228545) 1x Mallet Assembly (220676)
- 4x 5/16" x 1" BHCS w/Pin (264971)

Specifications

Part#	Description	Qty.
213672	Grandioso Footer B, Specify Color.....	2
220676	Mallet ASM 75A Gray.....	1
268147	Single Mallet Perm Cover Top, Specify Color.....	1
269301	Single Mallet Perm Cover Bottom, Specify Color.....	1
247993	Cascata Bells Frame, Specify Color.....	1
248085	Cascata Bells Tension PL Specify Color.....	1
253930	Cascata Bells Bell Set.....	1
251507	2.00" Bell W/ Hole.....	1
251508	2.50" Bell W/ Hole.....	1
251509	3.00" Bell W/ Hole.....	1
251510	3.50" Bell W/ Hole.....	1
251511	4.00" Bell W/ Hole.....	1
251512	5.00" Bell W/ Hole.....	1
251513	6.00" Bell W/ Hole.....	1
251514	8.00" Bell W/ Hole.....	1
251515	10.00" Bell W/ Hole.....	1
251516	12.00" Bell W/ Hole.....	1
251862	Cascata Bells Cable.....	1
273186	Cascata Bells Spacer Set.....	1
252949	Cascata Bells Anodized Spacer 01, Black.....	4
252950	Cascata Bells Anodized Spacer 02, Black.....	2
252951	Cascata Bells Anodized Spacer 03, Black.....	2
252952	Cascata Bells Anodized Spacer 04, Black.....	2
273181	Cascata Bells Anodized Spacer 05, Black.....	1
292487	Hdw Pkg Cascata™ Bells.....	1
100198	BHCS 6LP 3/8 x 1-1/8" SST.....	2
100290	BHCS 6LP LTHD 3/8" x 3/8" SST.....	1
100365	Washer Flat SAE 3/8" SST.....	6
129693	Nut Hex Jam 1/2-13 SST.....	1
176653	Spacer 3/4" x 1/4" AL.....	1
228545	Music Belt Wedge.....	2
251572	1/2-13 x .5L Hex Bolt W/ Hole.....	1
251630	Push In Grommet.....	11
251687	1/4" Two Piece Clamp Collar.....	1
148680	BIT 3/16 6-LOBE T ⁴⁰ TAMP.....	1
264971	3/16" x 1" BHCS w/Pin, SST.....	4
122039	Washer Flat 1/4" x 3/4"OD SST.....	22
207263	Hdw Pkg DB Support.....	2
100198	BHCS 6LP 3/8" x 1-1/8" SST.....	2
100327	Nut Hex STD 3/8"-16 SST.....	2
100362	Washer Flat 3/8" SST.....	4
121348	Hdw Pkg 4-Hole SM 1/2-13.....	1
100266	Exp Anchor 1/2" x 2-3/4" ZP.....	4
100322	Nut Hex STD 1/2" - 13 SST.....	4
100363	Washer Flat 1/2" SST.....	4

DB= Direct Bury
SM= Surface Mount

Fasteners: Primary fasteners shall be socketed and pinned tamperproof in design, stainless steel (SST) per ASTM F 879 unless otherwise indicated (see specific product installation/specifications).

Frame: Weldment comprised of 3.500" (88,9 mm) O.D. RS20 (.125") (3,17 mm) wall galvanized steel tubing, 1/4" stainless steel sheet and 3/8" (6,35 mm) thick HRPO steel sheet. Finish: ProShield®, color specified.

Mallet: Comprised of 2" (50,8 mm) diameter light gray polyurethane, 1/2" (12,7 mm) diameter aluminum handle and 3/16" (9,50 mm) stainless steel cable with nylon coating.

Footer: Weldment comprised of 2.375" (60,32 mm) O.D. RS20 (.095"- .105") (2,41 mm-2,66 mm) wall galvanized steel tubing, and 1/4" (6,35 mm) thick HRPO steel sheet. Finish: ProShield®, color specified.

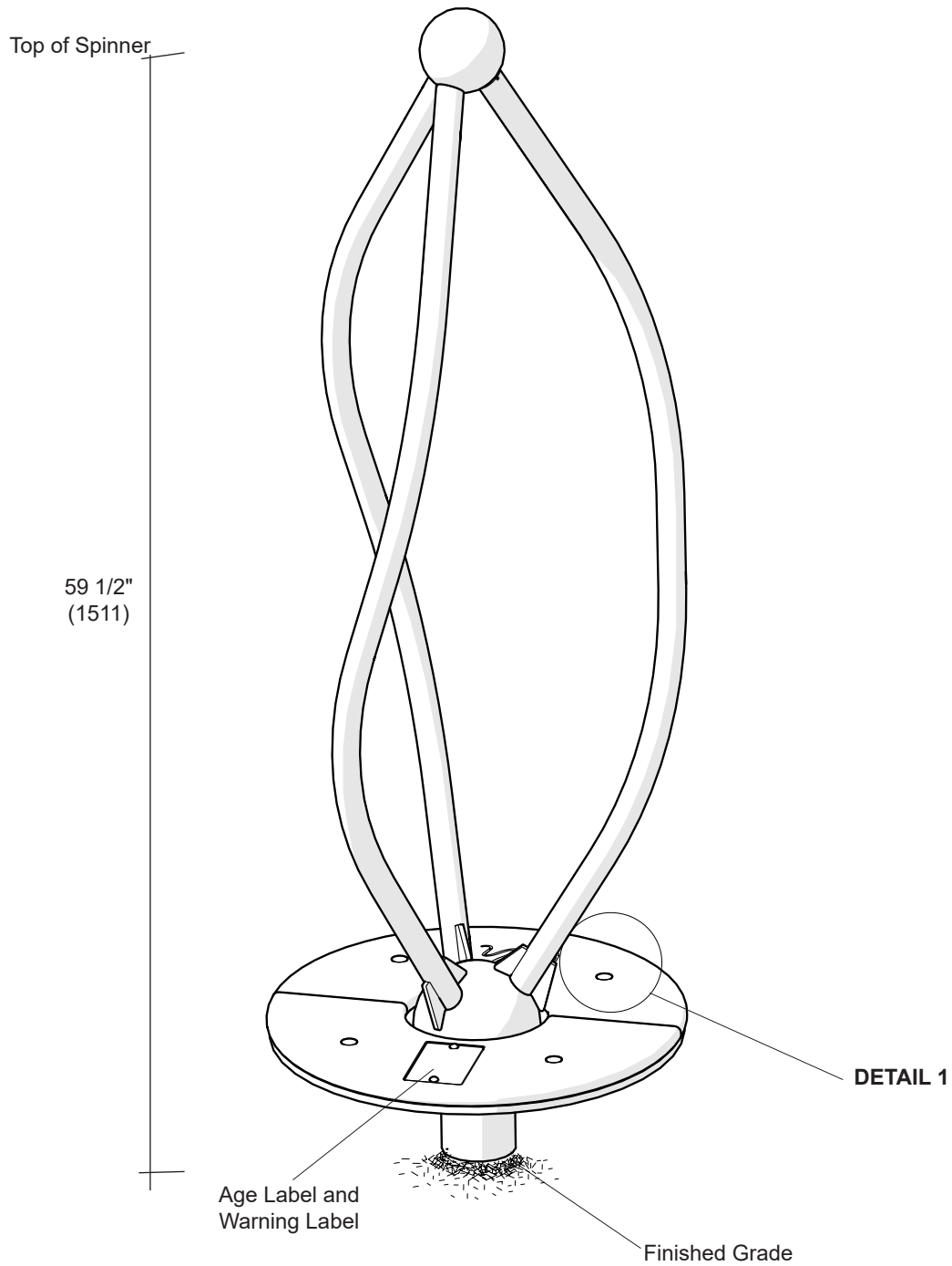
Cables: Comprised of 3/16" (4,74 mm) diameter stainless steel cable with nylon coating.

Installation Time: Approx. 2 person hours

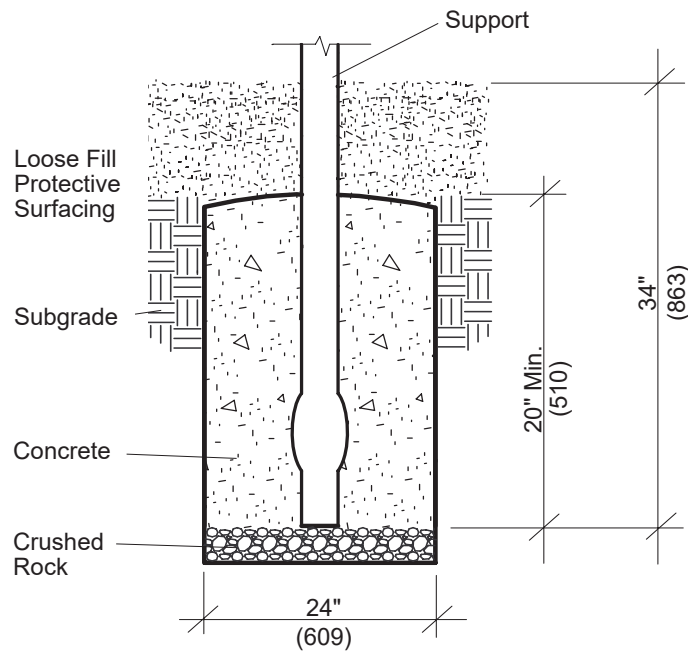
Weight: DB 73 lbs.

SM 57 lbs.

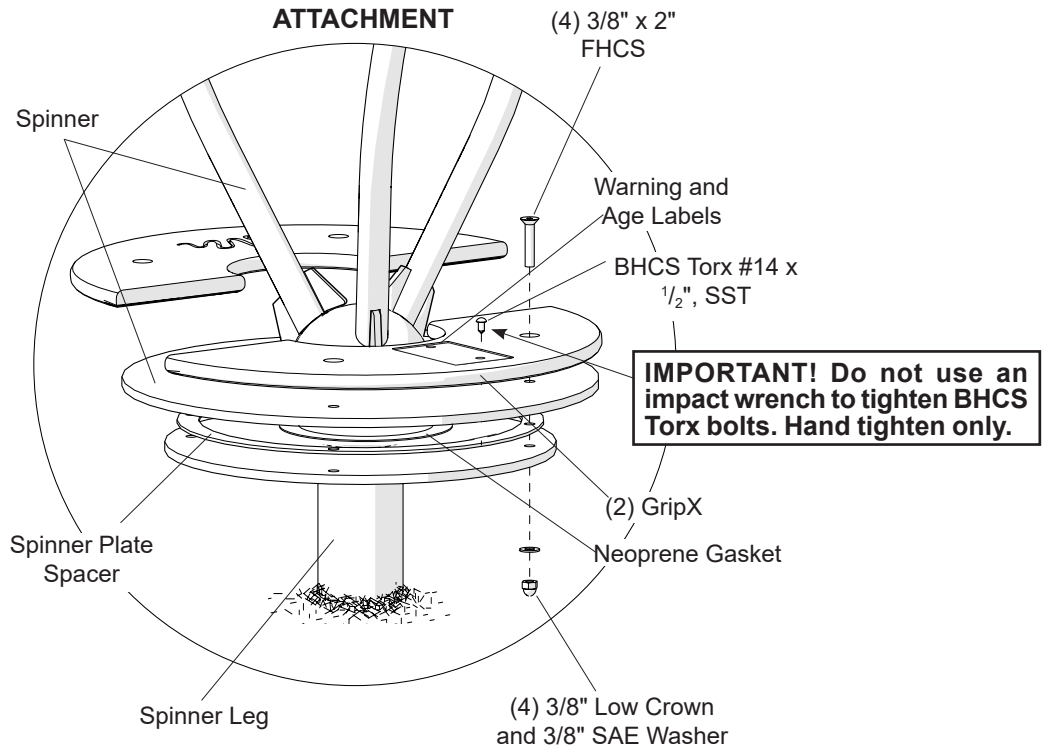
Concrete: 5.24 Cubic Feet DB



**DETAIL
DIRECT BURY**



**DETAIL 1
ATTACHMENT**



Parts List

Part#	Description	Qty.
275826	Twisted Spinner Weldt, Specify Color	1
245984	Spinner GripX, Black	1
246071	Spinner Leg W/Bearing Housing ASM, Specify Color. 1	
250541	Spinner Plate Spacer, Black.....	1
249181	Spinner GripX w/Label, Black.....	1
259476	Neoprene Gasket 12".....	1
259532	Hdw Pkg Curva™ Spinner.....	1
116695	FHCS 3/8" x 2" SST.....	4
100349	Nut L/C Cap 3/8"-16 SST.....	4
100365	Washer Flat SAE 3/8" SST.....	4
129671	BHCS Torx #14 x 1/2", SST.....	2
249825	Warning Label 5-12.....	1

Specifications

Spinner Post:	Weldment comprised of 1.315" O.D. 10 Ga. (.120"-.146") steel tubing, 6" O.D. Sphere (.135" wall) and 4" O.D. STC Ball (.135" Wall). 3/8" HRPO flat steel. Finish: ProShield®, color specified.
Standing Post Assy:	(Spinner Post) Weldment comprised of 3.50" O.D. 8GA (.149"-.182" wall) galvanized steel tubing, 2.00" O.D. steel shaft, 12 Ga. (.105") HR flat steel, and 1144 steel collar. Finish: ProShield, color specified. (Sleeve/Plate) Weldment comprised of 3/8" sheet HRPO steel and 3.500" O.D. schedule 80 steel tubing. Finish: ProShield®, color specified.
Neoprene Gasket:	Multipurpose Neoprene Rubber 1/4" Thick, 60A Durometer
Fasteners:	Primary fasteners shall be socketed and pinned tamperproof in design, stainless steel (SST) per ASTM F 879 unless otherwise indicated (see specific product installation/specifications).
Spinner Perm:	Recycled permalene, black in color.
Installation Time:	Approx. 1 man hour
Concrete Req.:	Approx. 5.2 cu. ft.
Area Req.:	14' (4.27 m) diameter
Min. Use Zone:	6' (1.82 m) minimum use zone
Weight:	117 lbs.
Fall Height:	9" (228 mm)

Installation Instructions

- 1) Dig footing as shown. Refer to the Direct Bury Detail.
- 2) Attach spinner post to spinner leg using (4) 3/8" x 2" FHCS and (4) 3/8" Low Crown and 3/8" SAE Washer as shown. Place neoprene gasket and spinner spacer plate.
- 3) Position spinner in footing hole and pour concrete footing. With spinner post plumb, prop to hold in position. Allow concrete to cure a minimum of 72 hours before users are allowed to play on the structure.
- 4) Attach label using #14 x 1/2" BHCS Torx.
- 5) Install protective surfacing before users are allowed to play on the structure.



ESPLANADA STONEMAN
PLAYGROUND
BOSTON, MA

M.E. O'BRIEN & SONS, INC.
PRESALE #:1156195-01-06

SCALE 1/4" = 12"

NOTE: NOT TO SCALE IF PLAN
IS REPRODUCED OR COPIED.

IT IS THE MANUFACTURERS OPINION AND
INTENT THAT THE USE AND LAYOUT OF
THESE COMPONENTS CONFORM WITH THE
AMERICAN SOCIETY FOR TESTING AND
MATERIALS (ASTM) STANDARD ASTM F1487.

THIS PLAY AREA & EQUIPMENT IS
DESIGNED FOR AGES: 5-12 YEARS
UNLESS OTHERWISE NOTED ON PLAN.

PLEASE REFERENCE THE PRESALE
DRAWING LISTED ABOVE FOR COMPLIANCE
TO THE AMERICANS WITH DISABILITIES ACT
ACCESSIBILITY GUIDELINES (ADAAG). IF
NONE PROVIDED, PLEASE CONTACT YOUR
LOCAL SALES REPRESENTATIVE.

CONCRETE FOOTINGS ARE REQUIRED ON
ALL IN-GROUND COMPONENTS. ALL
FOOTING SPECIFICATIONS ASSUME FIRM,
LEVEL, AND STABLE SOIL CONDITIONS.

CHOOSE A PROTECTIVE SURFACING
MATERIAL THAT HAS A CRITICAL HEIGHT
VALUE OF AT LEAST THE HIGHEST
ACCESSIBLE PART/FALL HEIGHT OF THE
ADJACENT EQUIPMENT. (REF. CONSUMER
PRODUCT SAFETY COMMISSION (CPSC)
GUIDELINES, SECTION 10: SURFACING.)

PLAYBOOSTER

ORDER #:
P0141380-01-02

DRAWING #:
PQ-00125023 A

ENGINEERED BY: AMV
COPYRIGHT DATE: 6/15/22
LANDSCAPE STRUCTURES, INC.

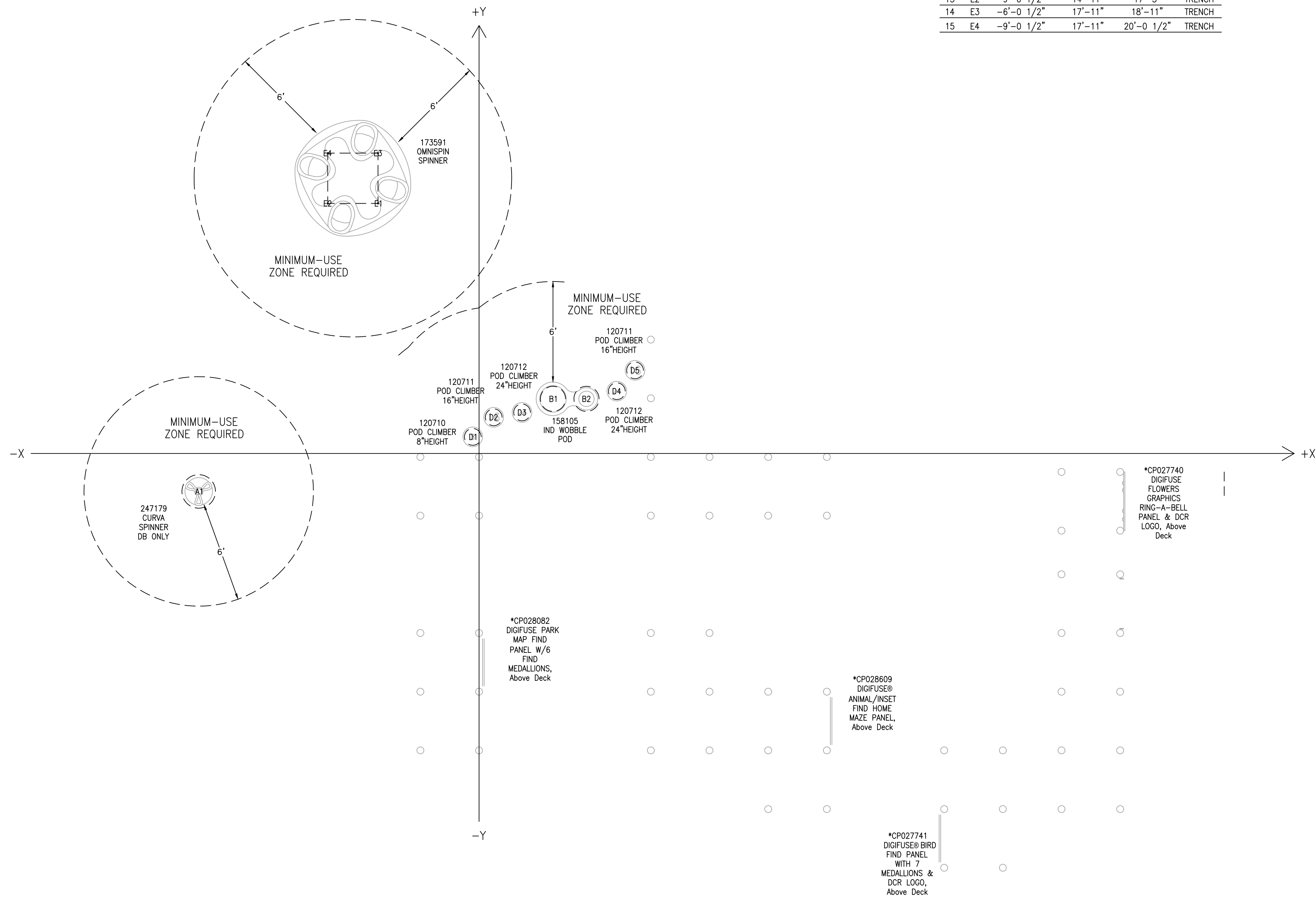
DATE/INITIALS	REVISION DESCRIPTION

601 7th. STREET SOUTH
DELANO, MINNESOTA 55328
PH: 1-888-LSI4HLP
(1-888-574-4457)
FAX: 1-763-972-3185

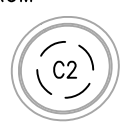


PlayBooster® and Parts
(5-12 years)

N.	I.D.	X (ft-in)	Y (ft-in)	Dist. to 0	DIA (in)
1	A1	-16'-8 1/2"	-2'-3"	16'-10 1/2"	24
2	A2	68'-4 1/2"	13'-1 1/2"	69'-7 1/2"	24
3	B1	4'-5"	3'-3"	5'-6"	18
4	B2	6'-5"	3'-3"	7'-2 1/2"	18
5	C1	71'-2"	-27'-1 1/2"	76'-2"	14
6	C2	76'-5"	-24'-10"	80'-4"	14
7	D1	-4 1/2"	1'	1'-0 1/2"	12
8	D2	10 1/2"	2'-2"	2'-4"	12
9	D3	2'-7"	2'-5 1/2"	3'-6 1/2"	12
10	D4	8'-2 1/2"	3'-8 1/2"	9'-0 1/2"	12
11	D5	9'-3 1/2"	4'-11 1/2"	10'-6 1/2"	12
12	E1	-6'-0 1/2"	14'-11"	16'-1"	TRENCH
13	E2	-9'-0 1/2"	14'-11"	17'-5"	TRENCH
14	E3	-6'-0 1/2"	17'-11"	18'-11"	TRENCH
15	E4	-9'-0 1/2"	17'-11"	20'-0 1/2"	TRENCH



214445
KETTLE
DRUM



214444
KUNDU
DRUM



*CP027740
DIGIFUSE
FLOWERS
GRAPHICS
RING-A-BELL
PANEL & DCR
LOGO, Above
Deck

*CP028082
DIGIFUSE PARK
MAP FIND
PANEL W/6
FIND
MEDALLIONS,
Above Deck

*CP028609
DIGIFUSE®
ANIMAL/INSET
FIND HOME
MAZE PANEL,
Above Deck

*CP027741
DIGIFUSE® BIRD
FIND PANEL
WITH 7
MEDALLIONS &
DCR LOGO,
Above Deck