

WEST HAVEN STREET

NEWLAND STREET

WEST NEWTON STREET

PROFESSIONAL ENGINEER DATE

BHA JOB# 08-014C1

SITE IMPROVEMENTS

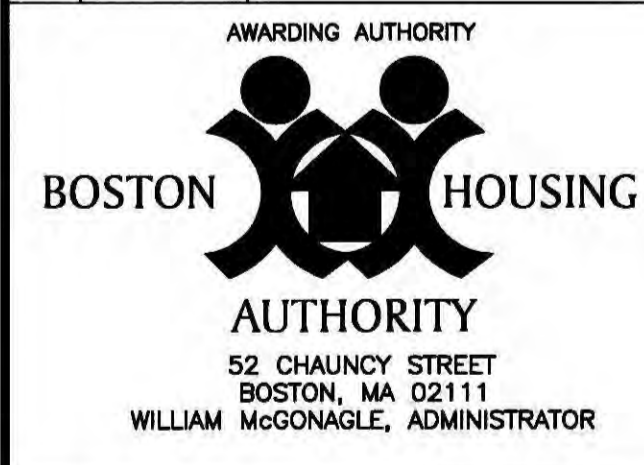
AT THE
WEST NEWTON STREET
DEVELOPMENT
IN
BOSTON (SOUTH END)
MASSACHUSETTS

APRIL 2010

SITE PLAN
SHEET 1 OF 4

REVISIONS:

NO.	DATE	DESC.



FUNDING AUTHORITY
U.S. DEPARTMENT OF HOUSING
AND
URBAN DEVELOPMENT
10 CAUSEWAY STREET
BOSTON, MASSACHUSETTS 02222

BSC GROUP
15 Elkins Street
Boston, Massachusetts
02127
617 896 4300

© 2010 BSC Group, Inc.
SCALE: 1" = 5'
0 2.5 5 10 feet

FILE:
DWG. NO:
JOB. NO: 2-3116.00 SHEET C-11



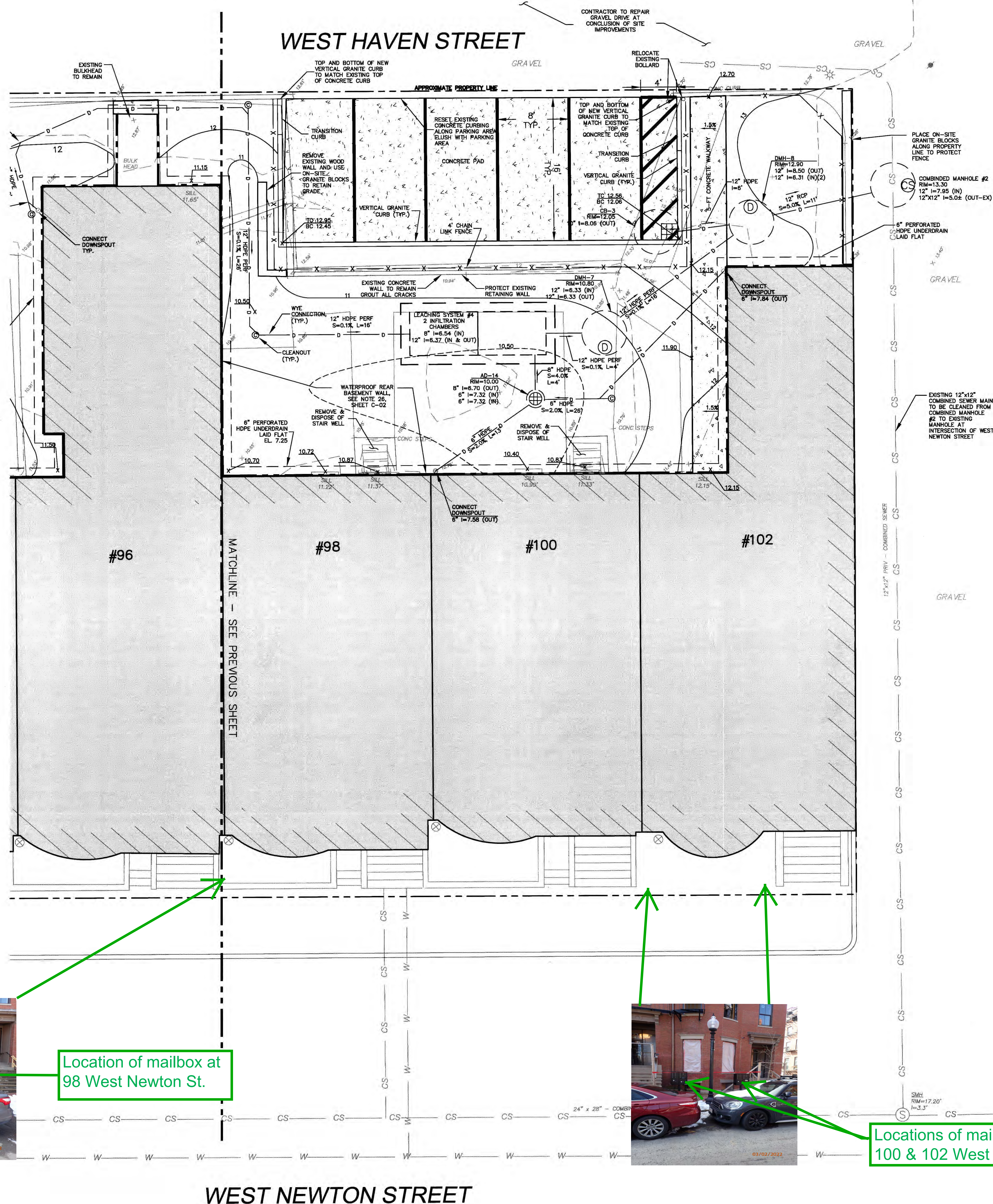
Location of mailbox for 54 & 56 West Newton Street



Location of mailbox for 58 & 60 West Newton Street

Drawing prepared by: BSC Group, Inc. 15 Elkins Street, Boston, MA 02127
 Date: 04/15/10
 Project: BHA Job # 08-014C1 - Site Improvements
 Sheet: C-11 of 4

WEST HAVEN STREET



Location of mailbox at 98 West Newton St.



Locations of mailboxes for 100 & 102 West Newton St

PROFESSIONAL ENGINEER DATE

BHA JOB# 08-014C1
SITE IMPROVEMENTS

AT THE
WEST NEWTON STREET
DEVELOPMENT
IN
BOSTON (SOUTH END)
MASSACHUSETTS

APRIL 2010

SITE PLAN
SHEET 4 OF 4

REVISIONS:


NO.	DATE	DESC.

AWARDING AUTHORITY

BOSTON HOUSING AUTHORITY
 52 CHAUNCEY STREET
 BOSTON, MA 02111
 WILLIAM MCGONAGLE, ADMINISTRATOR

FUNDING AUTHORITY
 U.S. DEPARTMENT OF HOUSING AND URBAN DEVELOPMENT
 10 CAUSEWAY STREET
 BOSTON, MASSACHUSETTS 02222


BSC GROUP
 15 Elkins Street
 Boston, Massachusetts
 02127
 617 896 4300

© 2010 BSC Group, Inc.
 SCALE: 1" = 5'


FILE:
 DWG. NO:
 JOB. NO: 2-3116.00 SHEET C-14

Drawing made in AutoCAD 2010
 Plotted at: Monday, April 12, 2010
 Plotter: HP DesignJet 2450

54 WEST NEWTON STREET PHOTOS: 2017 CONDITION



54 West Newton Street

54 WEST NEWTON STREET PHOTOS: 2022 CONDITION



54-60 West Newton Street



54 West Newton Street

56 WEST NEWTON STREET PHOTOS: 2017 CONDITION



56 West Newton Street



56 West Newton Street

56 WEST NEWTON STREET PHOTOS: 2022 CONDITION



56 West Newton Street



56 West Newton Street

58 WEST NEWTON STREET PHOTOS: 2017 CONDITION



58 West Newton Street

58 WEST NEWTON STREET PHOTOS: 2022 CONDITION



54-60 West Newton Street

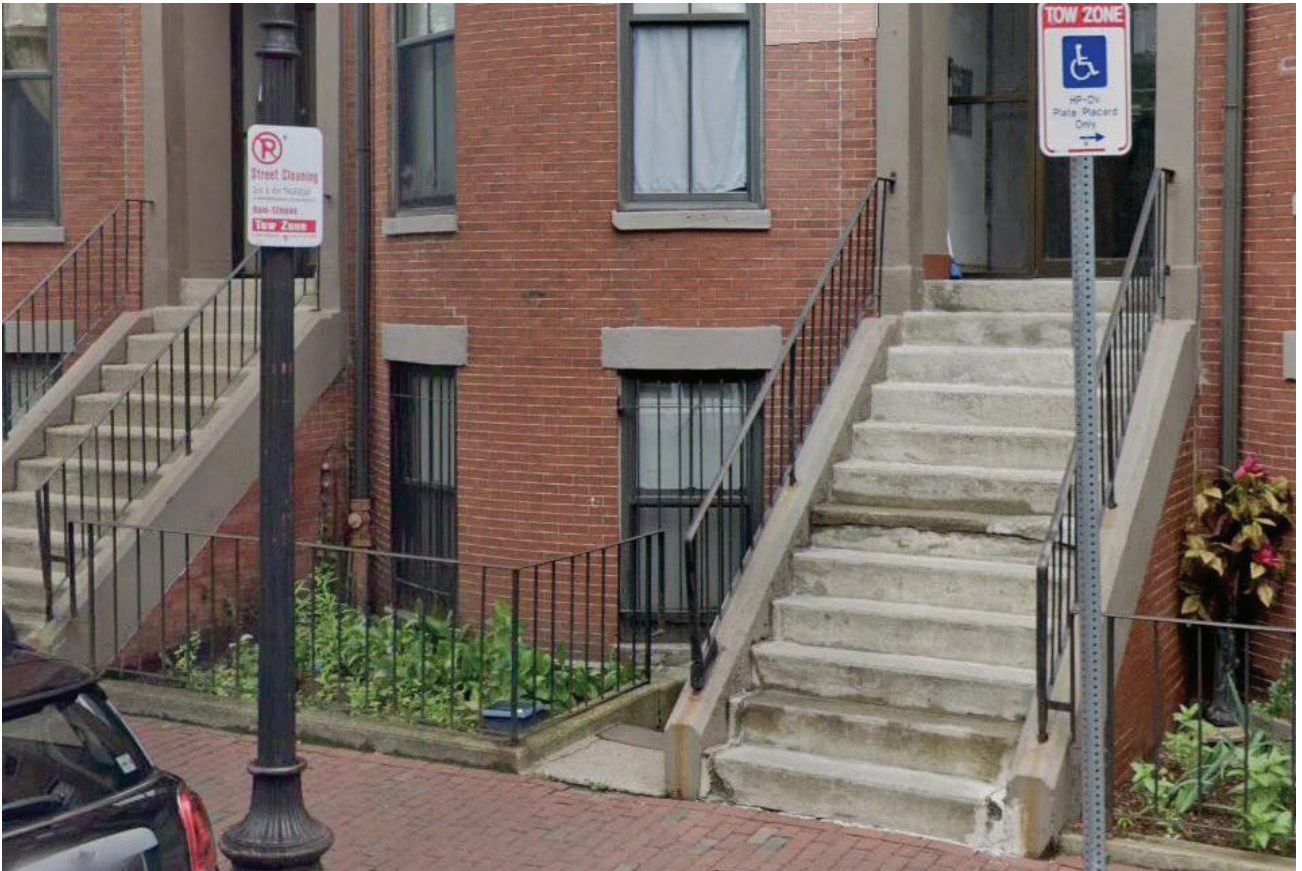


58 West Newton Street

60 WEST NEWTON STREET PHOTOS: 2017 CONDITION



60 West Newton Street



60 West Newton Street (Google Street View)

60 WEST NEWTON STREET PHOTOS: 2022 CONDITION



54-60 West Newton Street



60 West Newton Street

98 WEST NEWTON STREET PHOTOS: 2017 CONDITION



98 West Newton Street



98 West Newton Street

98 WEST NEWTON STREET PHOTOS: 2022 CONDITION



98 West Newton Street Mailbox

98 West Newton Street



98 West Newton Street

100 WEST NEWTON STREET PHOTOS: 2017 CONDITION



100 West Newton Street



100 West Newton Street

100 WEST NEWTON STREET PHOTOS: 2022 CONDITION



100 West Newton Street

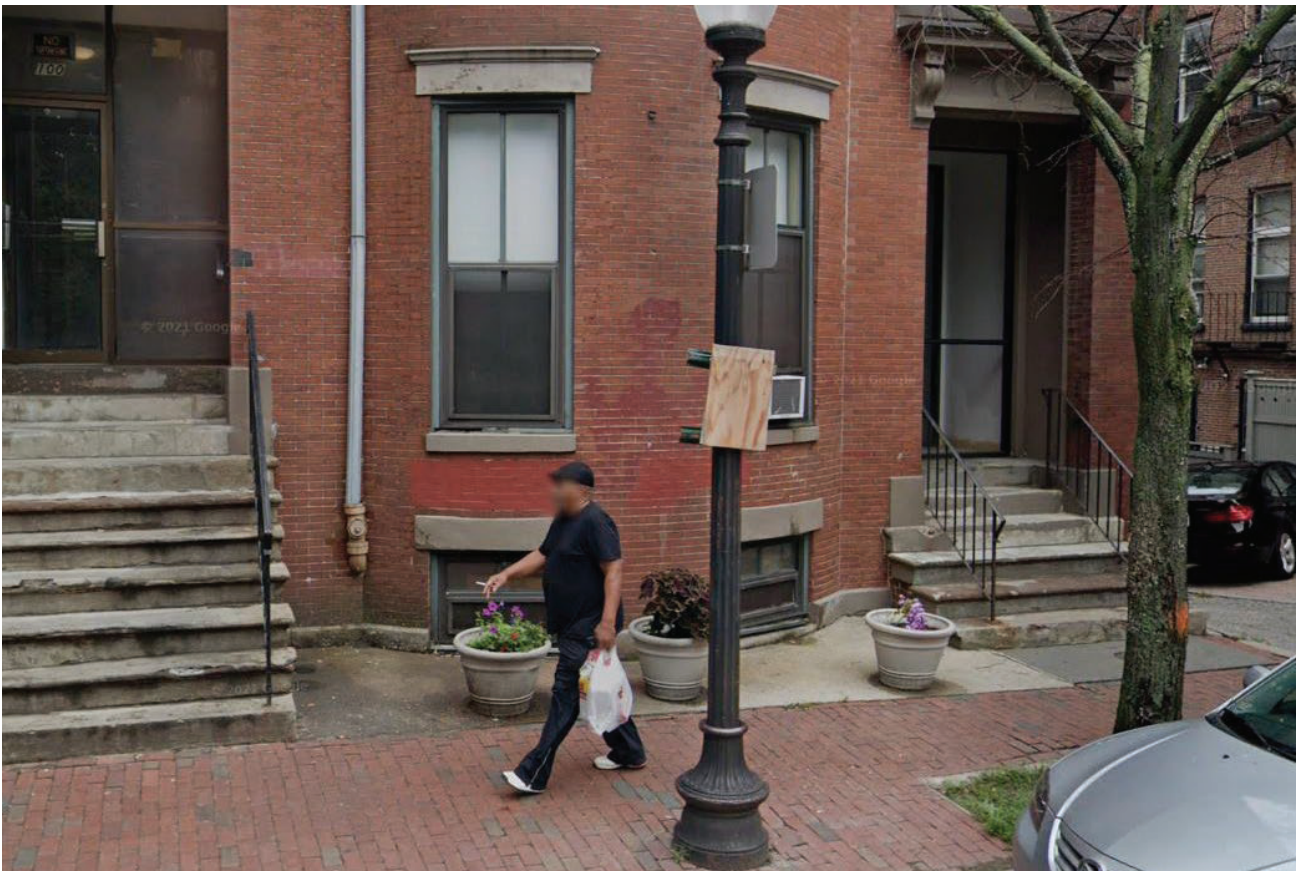


100-102 West Newton Street

102 WEST NEWTON STREET PHOTOS: 2017 CONDITION



102 West Newton Street



102 West Newton Street (Google Street View)

102 WEST NEWTON STREET PHOTOS: 2022 CONDITION



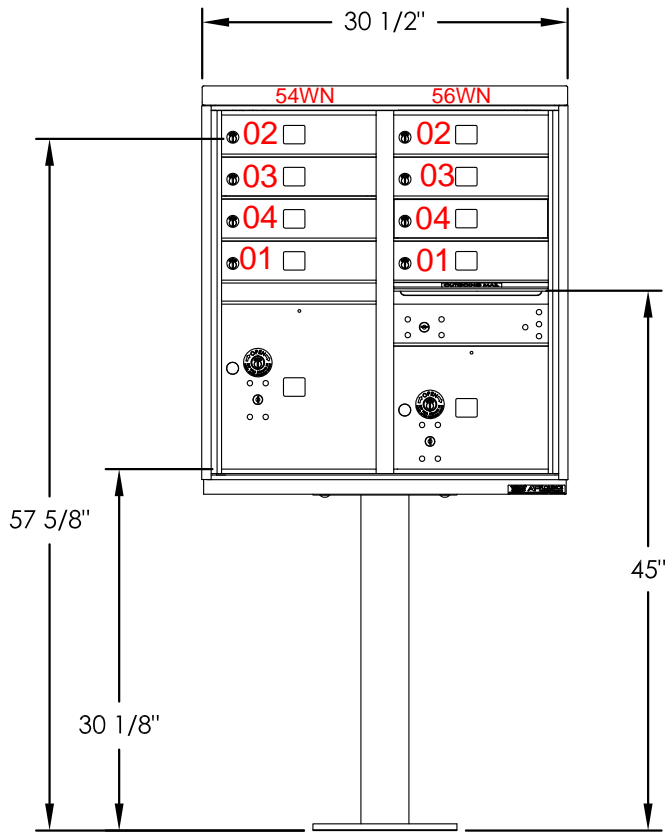
102 West Newton Street



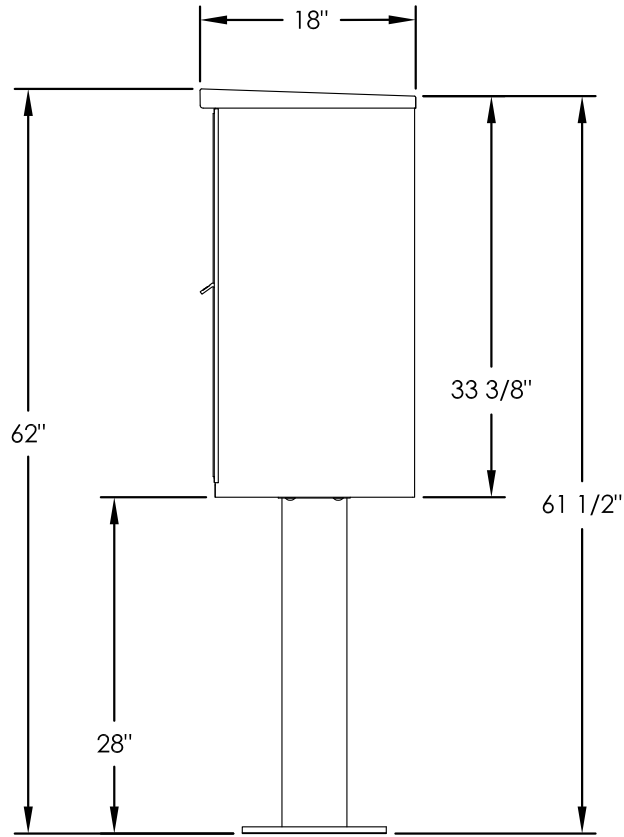
100-102 West Newton Street

**US MAIL SUPPLY CLUSTER BOX UNIT DETAILS &
USPS CORRESPONDENCE**

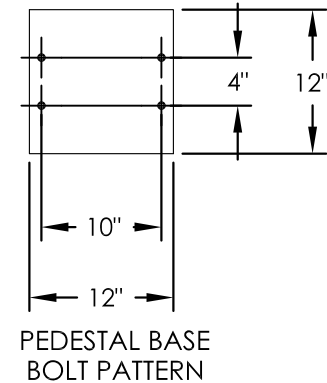
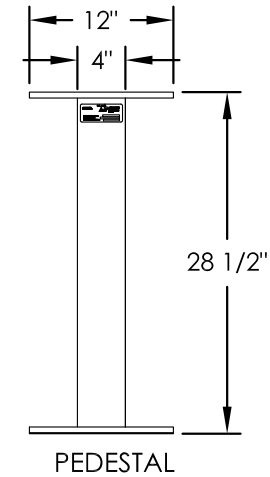
vital™ Cluster Box Unit - Type I



FRONT VIEW



SIDE VIEW



DOOR CHART

DOOR TYPE	DIMENSION (HEIGHT x WIDTH)
TENANT	3-3/8"x12-13/16"
10" PARCEL	10-1/4"x12-13/16"
13" PARCEL	13-3/4"x12-13/16"
OUTGOING SLOT	3/4"x11-3/4"

NOTES:

1. This unit is approved for USPS and private applications.
2. Decorative mailbox accessories sold separately and are USPS Approved products.
3. Pedestal should be installed with included Rudder Pad; mounting hardware not included, refer to installation manual for recommendations.
4. Florence "F" series CBU is Officially Licensed by USPS: License#CDSEQ-08-B-0012

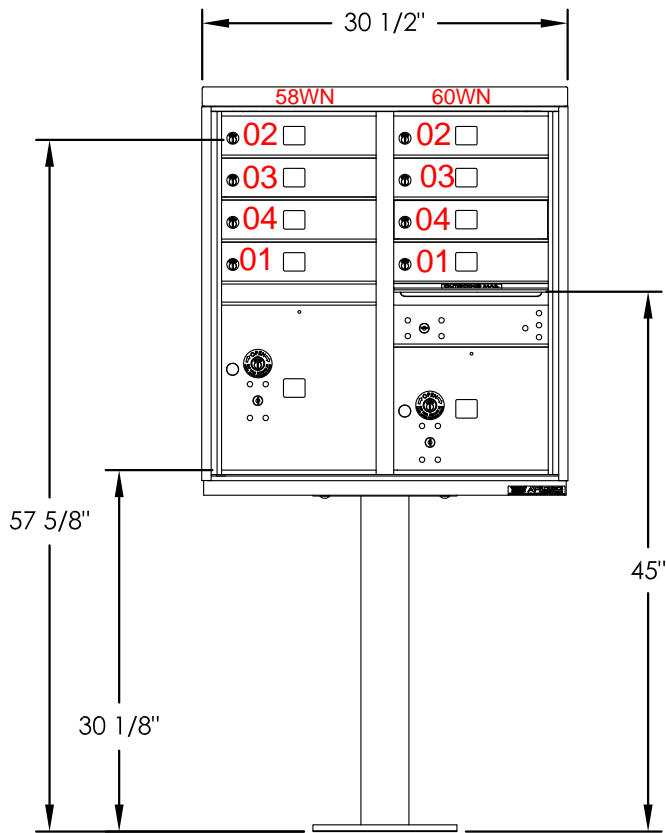
PRODUCT SERIES: vital™ CLUSTER BOX UNIT

AF FLORENCE
manufacturing company

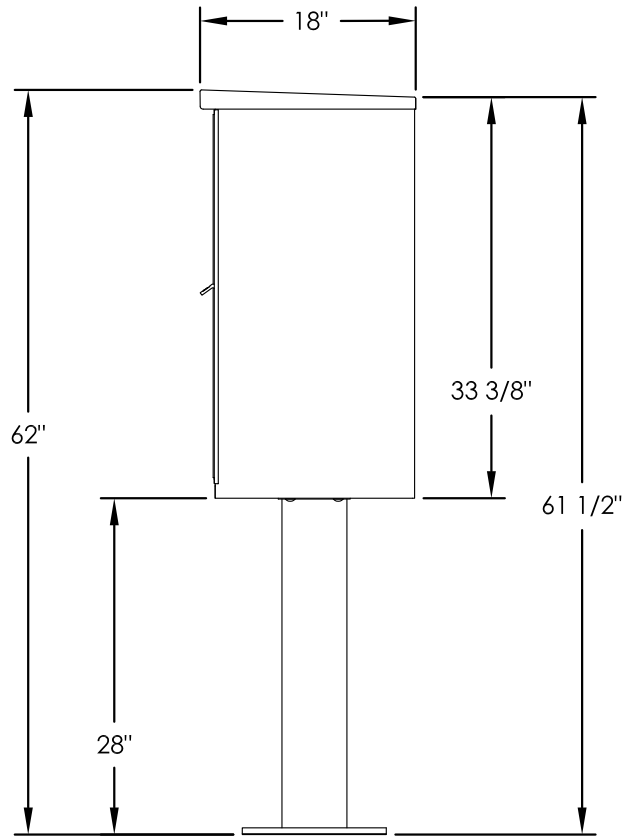
5935 Corporate Drive • Manhattan, KS 66503
www.florencemailboxes.com • (800) 275-1747
A GIBRALTAR INDUSTRIES COMPANY

MODEL 1570-8	REV A
SCALE NONE	LAST REV DATE 9/26/2012
DRAWING NUMBER 1570-8CS	DRAWN BY AFD

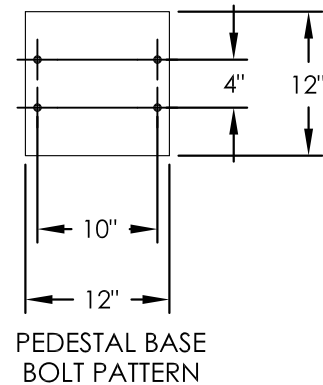
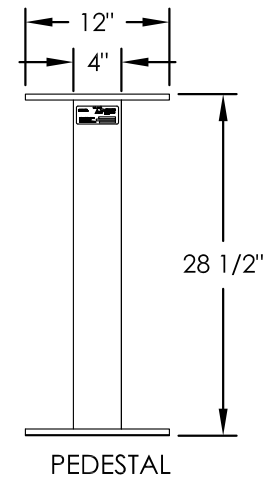
vital™ Cluster Box Unit - Type I



FRONT VIEW



SIDE VIEW



DOOR CHART

DOOR TYPE	DIMENSION (HEIGHT x WIDTH)
TENANT	3-3/8"x12-13/16"
10" PARCEL	10-1/4"x12-13/16"
13" PARCEL	13-3/4"x12-13/16"
OUTGOING SLOT	3/4"x11-3/4"

NOTES:

1. This unit is approved for USPS and private applications.
2. Decorative mailbox accessories sold separately and are USPS Approved products.
3. Pedestal should be installed with included Rudder Pad; mounting hardware not included, refer to installation manual for recommendations.
4. Florence "F" series CBU is Officially Licensed by USPS: License#CDSEQ-08-B-0012

PRODUCT SERIES: vital™ CLUSTER BOX UNIT

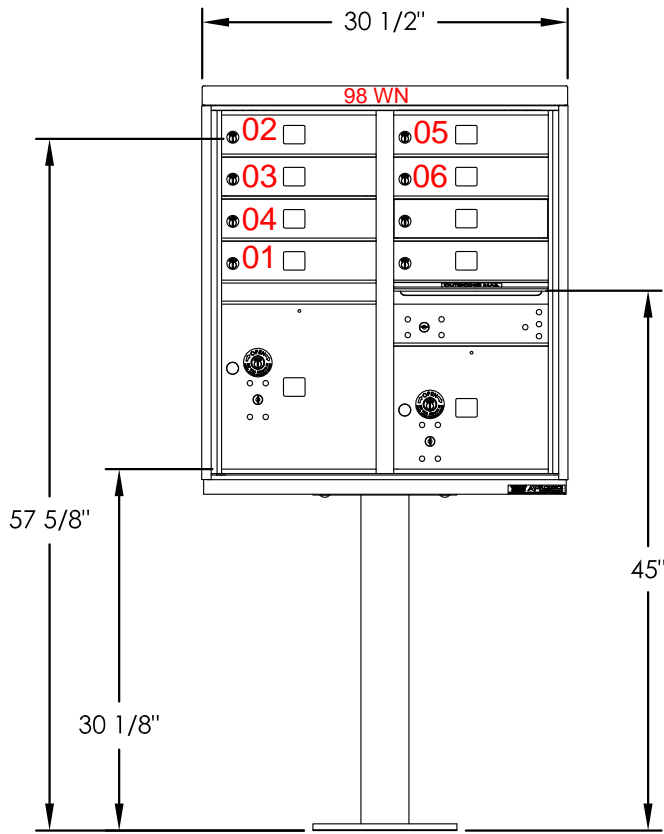
AF FLORENCE
manufacturing company

5935 Corporate Drive • Manhattan, KS 66503
www.florencemailboxes.com • (800) 275-1747

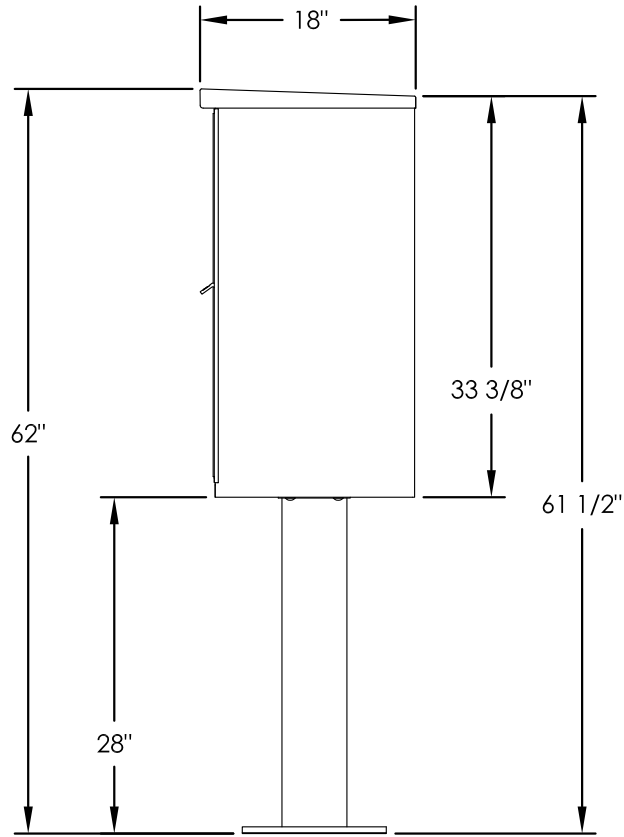
A GIBRALTAR INDUSTRIES COMPANY

MODEL 1570-8	REV A
SCALE NONE	LAST REV DATE 9/26/2012
DRAWING NUMBER 1570-8CS	DRAWN BY AFD

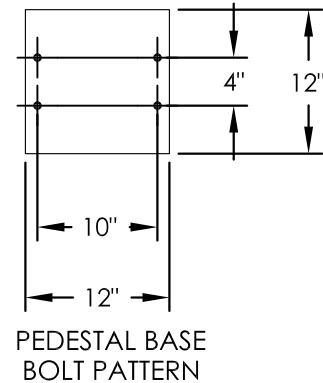
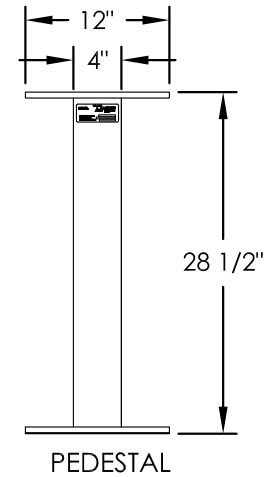
vital™ Cluster Box Unit - Type I



FRONT VIEW



SIDE VIEW



DOOR CHART

DOOR TYPE	DIMENSION (HEIGHT x WIDTH)
TENANT	3-3/8"x12-13/16"
10" PARCEL	10-1/4"x12-13/16"
13" PARCEL	13-3/4"x12-13/16"
OUTGOING SLOT	3/4"x11-3/4"

NOTES:

1. This unit is approved for USPS and private applications.
2. Decorative mailbox accessories sold separately and are USPS Approved products.
3. Pedestal should be installed with included Rudder Pad; mounting hardware not included, refer to installation manual for recommendations.
4. Florence "F" series CBU is Officially Licensed by USPS: License#CDSEQ-08-B-0012

PRODUCT SERIES: vital™ CLUSTER BOX UNIT

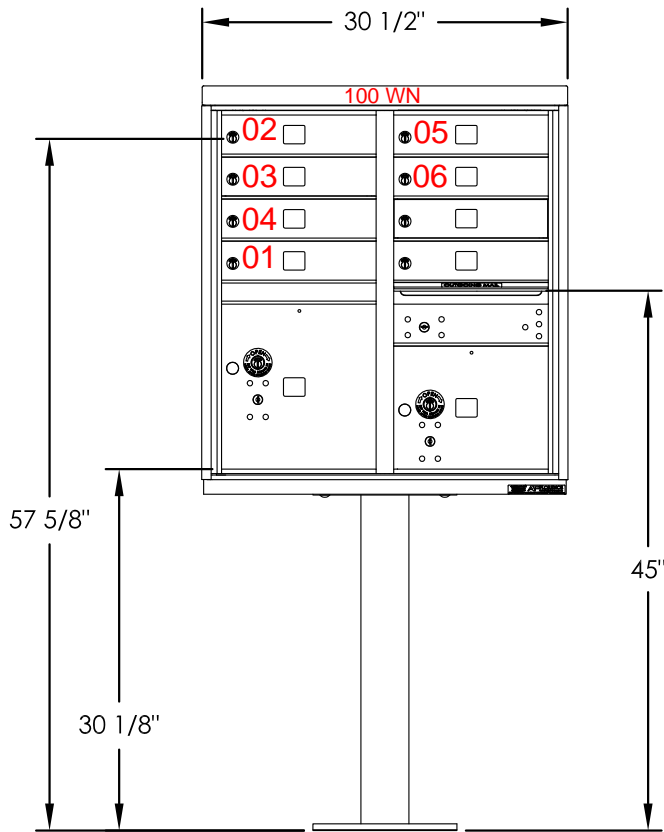
AF FLORENCE
manufacturing company

5935 Corporate Drive • Manhattan, KS 66503
www.florencemailboxes.com • (800) 275-1747
A GIBRALTAR INDUSTRIES COMPANY

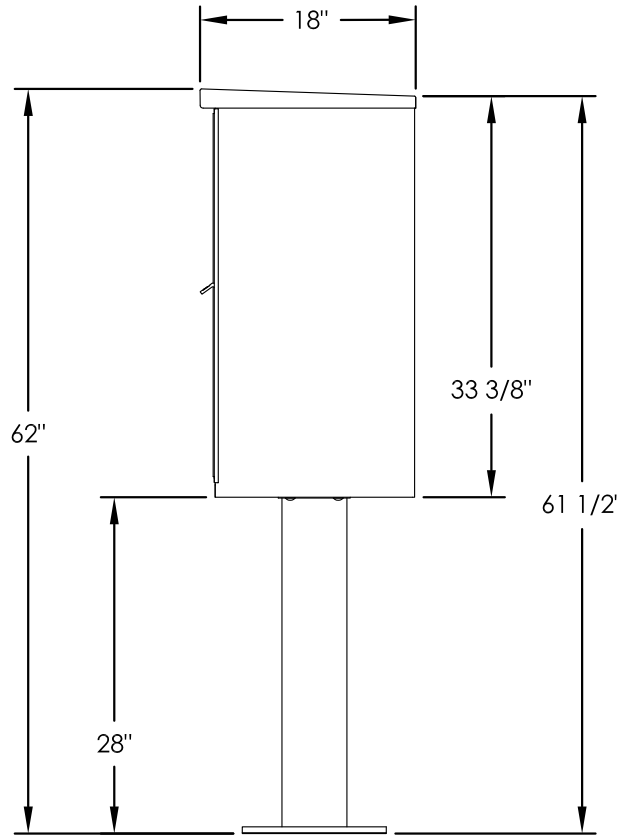
MODEL 1570-8	REV A
SCALE NONE	LAST REV DATE 9/26/2012
DRAWING NUMBER 1570-8CS	DRAWN BY AFD

98 WEST NEWTON

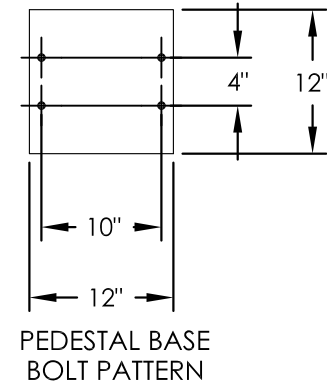
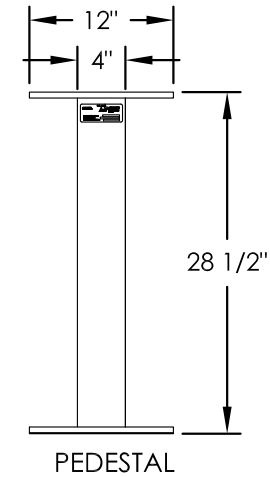
vital™ Cluster Box Unit - Type I



FRONT VIEW



SIDE VIEW



PEDESTAL BASE
BOLT PATTERN

DOOR CHART

DOOR TYPE	DIMENSION (HEIGHT x WIDTH)
TENANT	3-3/8"x12-13/16"
10" PARCEL	10-1/4"x12-13/16"
13" PARCEL	13-3/4"x12-13/16"
OUTGOING SLOT	3/4"x11-3/4"

NOTES:

1. This unit is approved for USPS and private applications.
2. Decorative mailbox accessories sold separately and are USPS Approved products.
3. Pedestal should be installed with included Rudder Pad; mounting hardware not included, refer to installation manual for recommendations.
4. Florence "F" series CBU is Officially Licensed by USPS: License#CDSEQ-08-B-0012

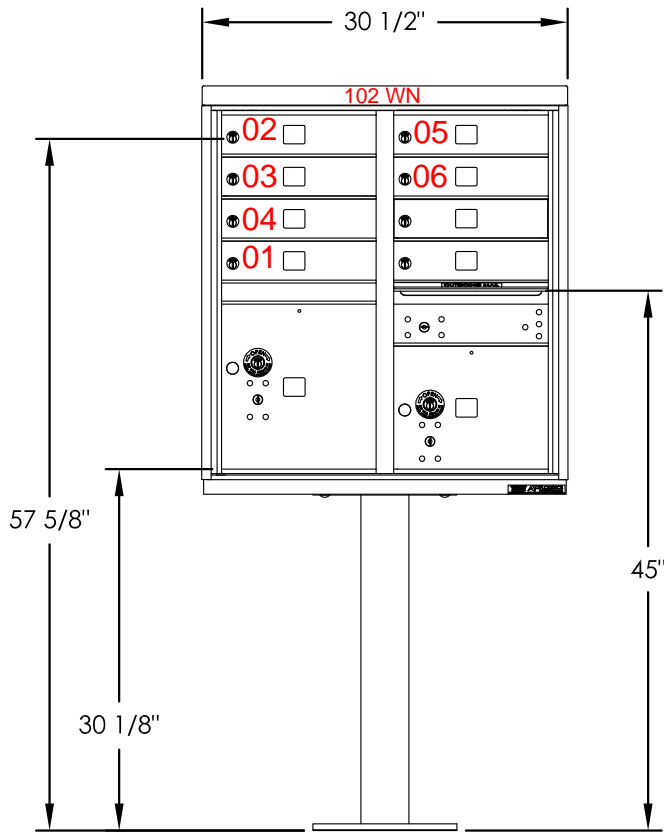
PRODUCT SERIES: vital™ CLUSTER BOX UNIT

AF FLORENCE
manufacturing company

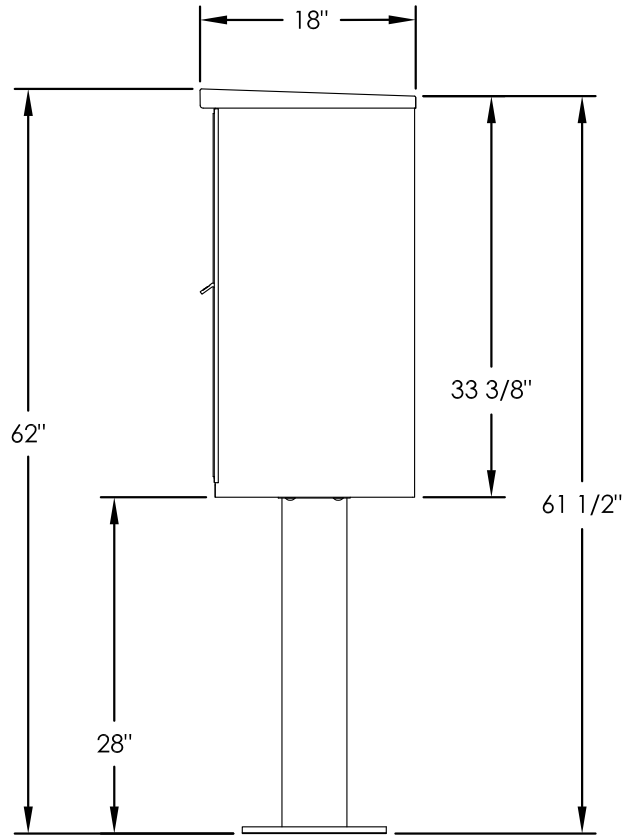
5935 Corporate Drive • Manhattan, KS 66503
www.florencemailboxes.com • (800) 275-1747
A GIBRALTAR INDUSTRIES COMPANY

MODEL 1570-8	REV A
SCALE NONE	LAST REV DATE 9/26/2012
DRAWING NUMBER 1570-8CS	DRAWN BY AFD

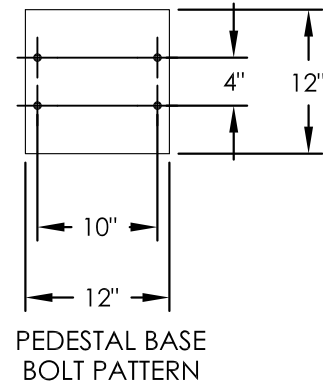
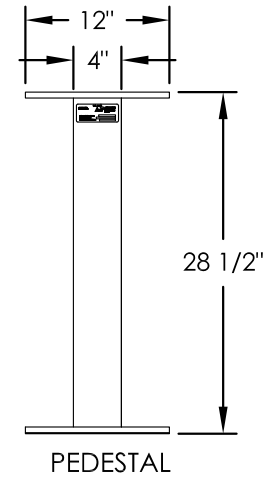
vital™ Cluster Box Unit - Type I



FRONT VIEW



SIDE VIEW



PEDESTAL BASE
BOLT PATTERN

DOOR CHART

DOOR TYPE	DIMENSION (HEIGHT x WIDTH)
TENANT	3-3/8"x12-13/16"
10" PARCEL	10-1/4"x12-13/16"
13" PARCEL	13-3/4"x12-13/16"
OUTGOING SLOT	3/4"x11-3/4"

NOTES:

1. This unit is approved for USPS and private applications.
2. Decorative mailbox accessories sold separately and are USPS Approved products.
3. Pedestal should be installed with included Rudder Pad; mounting hardware not included, refer to installation manual for recommendations.
4. Florence "F" series CBU is Officially Licensed by USPS: License#CDSEQ-08-B-0012

PRODUCT SERIES: vital™ CLUSTER BOX UNIT

AF FLORENCE
manufacturing company

5935 Corporate Drive • Manhattan, KS 66503
www.florencemailboxes.com • (800) 275-1747
A GIBRALTAR INDUSTRIES COMPANY

MODEL 1570-8	REV A
SCALE NONE	LAST REV DATE 9/26/2012
DRAWING NUMBER 1570-8CS	DRAWN BY AFD

Cecil Andrews <candrews@granbycon.com>
To: "Young, Lorayne T - Boston, MA" <Lorayne.T.Young@usps.gov>
Cc: Jacob Bruneau <JBruneau@davissquarearchitects.com>

Mon, Mar 9, 2020 at 8:24 AM

Good Morning Lorayne,

We had a meeting in your office in July 2019 for a project in the South End located on West Newton and Rutland Streets. As per your recommendation, we are providing wall-mounted compliant 4C units at the building entry vestibules (to replace outdated non-compliant models). Thank you

Additionally, we have eight (8) mandated accessible units suitable for occupancy by person(s) with physical disabilities. As such, we are proposing these (8) handicapped apartments utilize supplemental 4C pedestal mount units along the accessible route also in front of the buildings (main centralized boxes are located in vestibules as reviewed/ noted above - accessible only by stairs - and therefore not-accessibility complaint).

Please see attached the mailbox that are being proposed and a typical location of these mailboxes. The addresses of these mailboxes are as follows, 54, 56, 58, 60, 98, 100, 102 West Newton Street and 62/64 Rutland Street.

We are limited in options to satisfy USPS requirements and applicable Accessibility laws and believe this proposal to be the best. Might you please review this mailbox and these locations per the attachments and let me know if these will be acceptable to USPS?

Should you have any questions please feel free to contact me.

Thank you very much for your time.

Cecil Andrews
Owner's Representative

[Cecil D. Andrews II](#)



462 Watertown Street
Suite #3
Newtonville, MA 02460
617.558.9535(o)
617.448.7870(c)
candrews@granbycon.com

[Quoted text hidden]

2 attachments

 **WNR_SKA-26B-R1_HC Unit Pedestal Mount Mailbox.pdf**
343K

 **WNR_SKA-21.01_54WN Building Entry Plan.pdf**
261K

Young, Lorayne T - Boston, MA <Lorayne.T.Young@usps.gov>
To: Cecil Andrews <candrews@granbycon.com>
Cc: Jacob Bruneau <JBruneau@davissquarearchitects.com>, "Halliday, Denise M" <Denise.M.Halliday@usps.gov>, "Young, Lorayne T - Boston, MA" <Lorayne.T.Young@usps.gov>

Tue, Mar 10, 2020 at 7:57 AM

Hi Cecil,

The Postal regulation for delivery is one delivery location per address, you will need to have all the deliveries together either outside all in a CBU or all in the lobby. Would you like to meet and go over this? if so let me know what works for you.

Best,

[Quoted text hidden]

2 attachments

 **WNR_SKA-26B-R1_HC Unit Pedestal Mount Mailbox.pdf**
343K

 **WNR_SKA-21.01_54WN Building Entry Plan.pdf**
261K