

Perkins&Will

12 Farnsworth Street

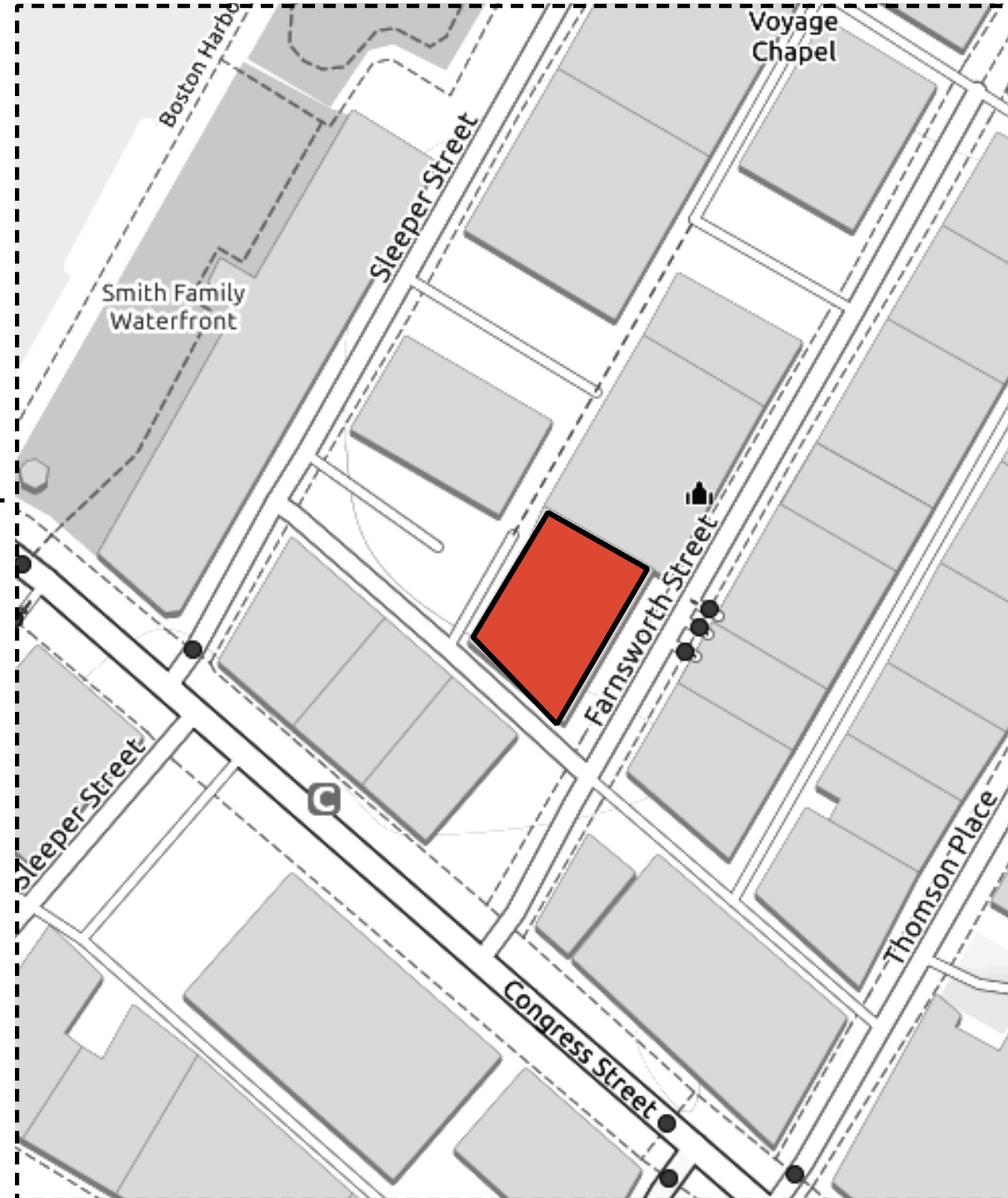
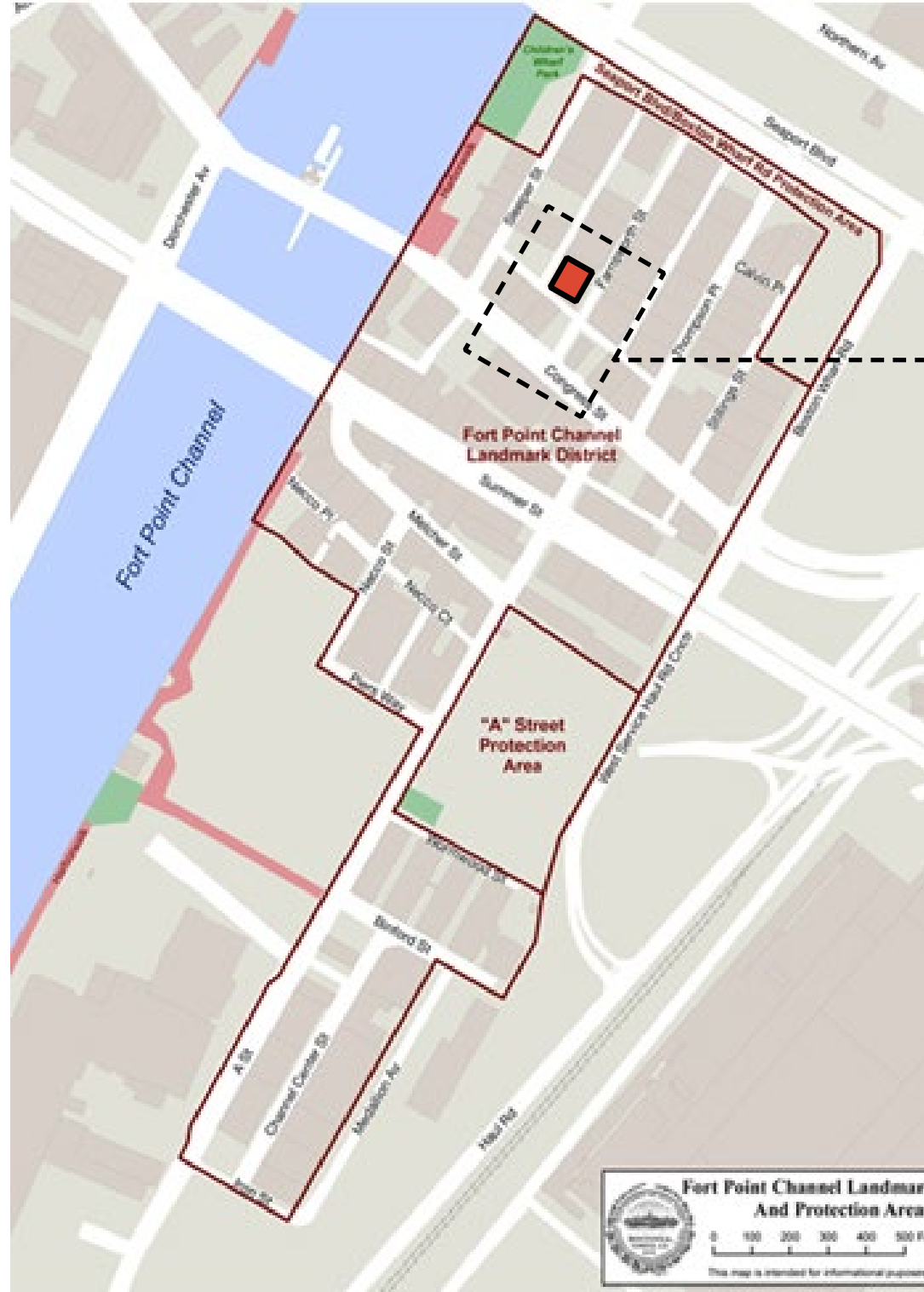
Exterior Alterations

April 21, 2022



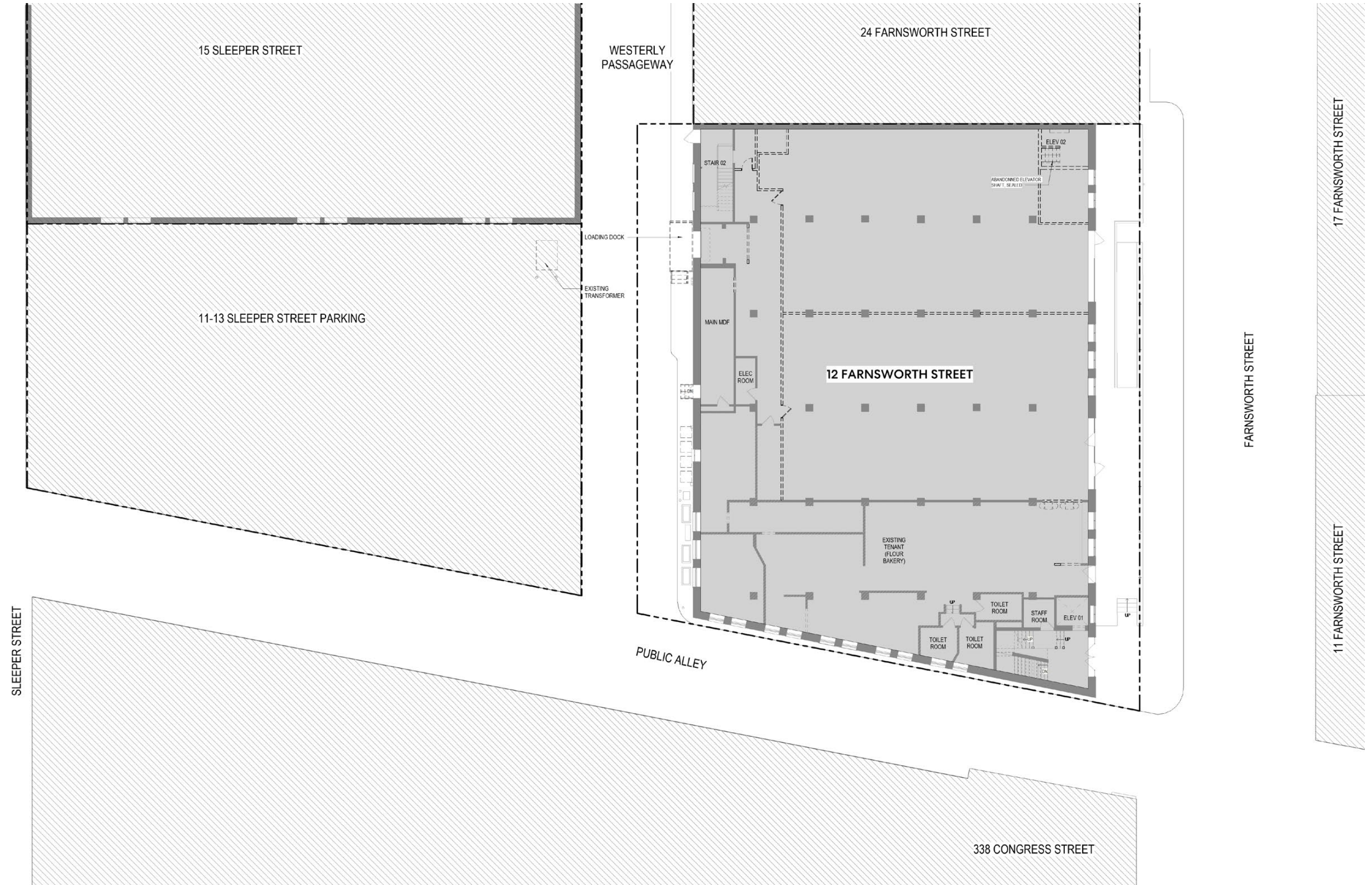
Site Location and Context

12 Farnsworth Street



Site Plan (Existing)

12 Farnsworth Street



Existing Loading Dock Design

View from Shared Easement



Existing Loading Dock Design

View from Bike Rack



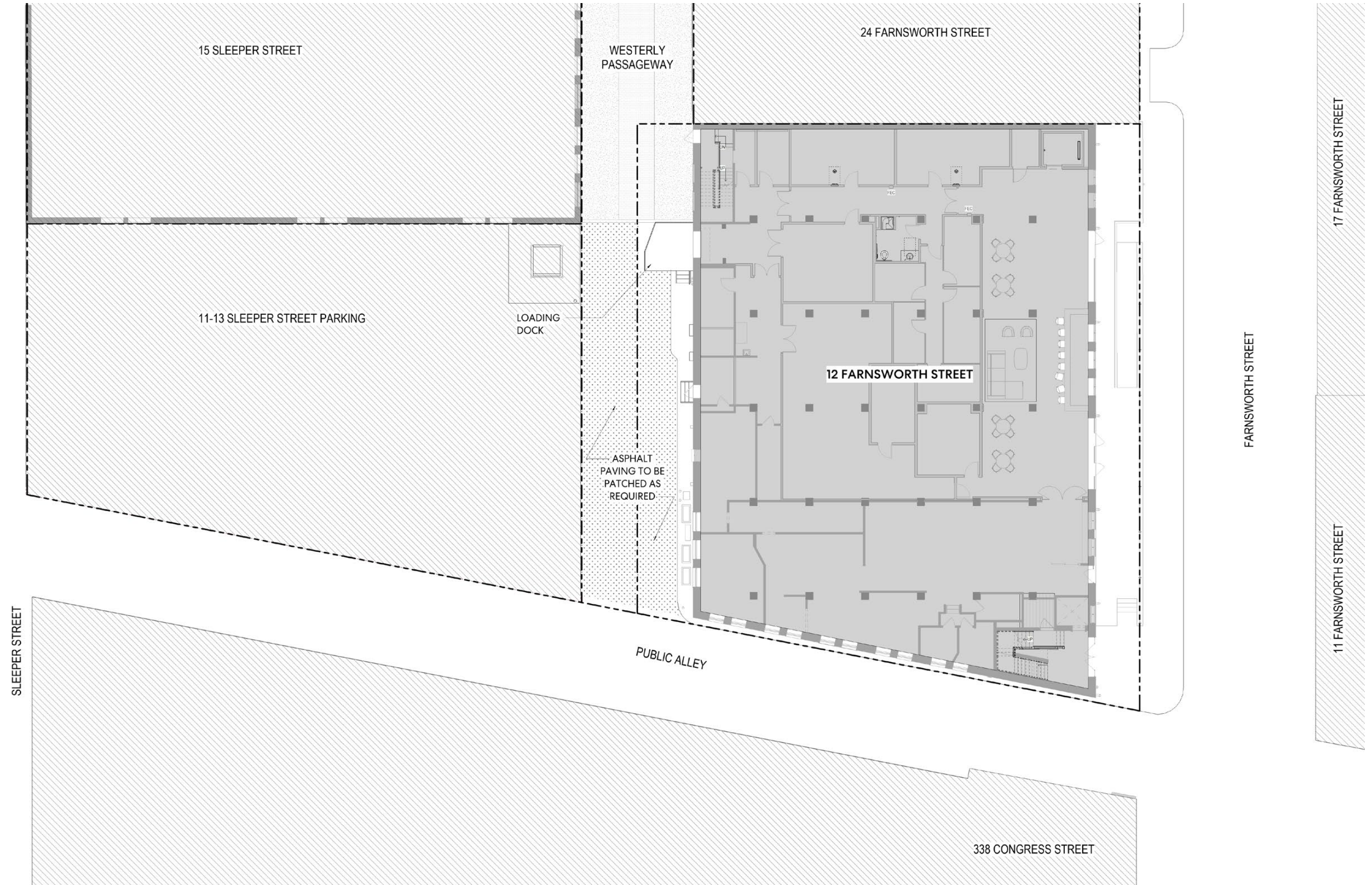
Existing Loading Dock Design

Signage



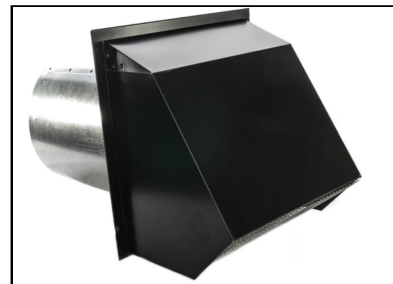
Site Plan (Proposed)

12 Farnsworth Street



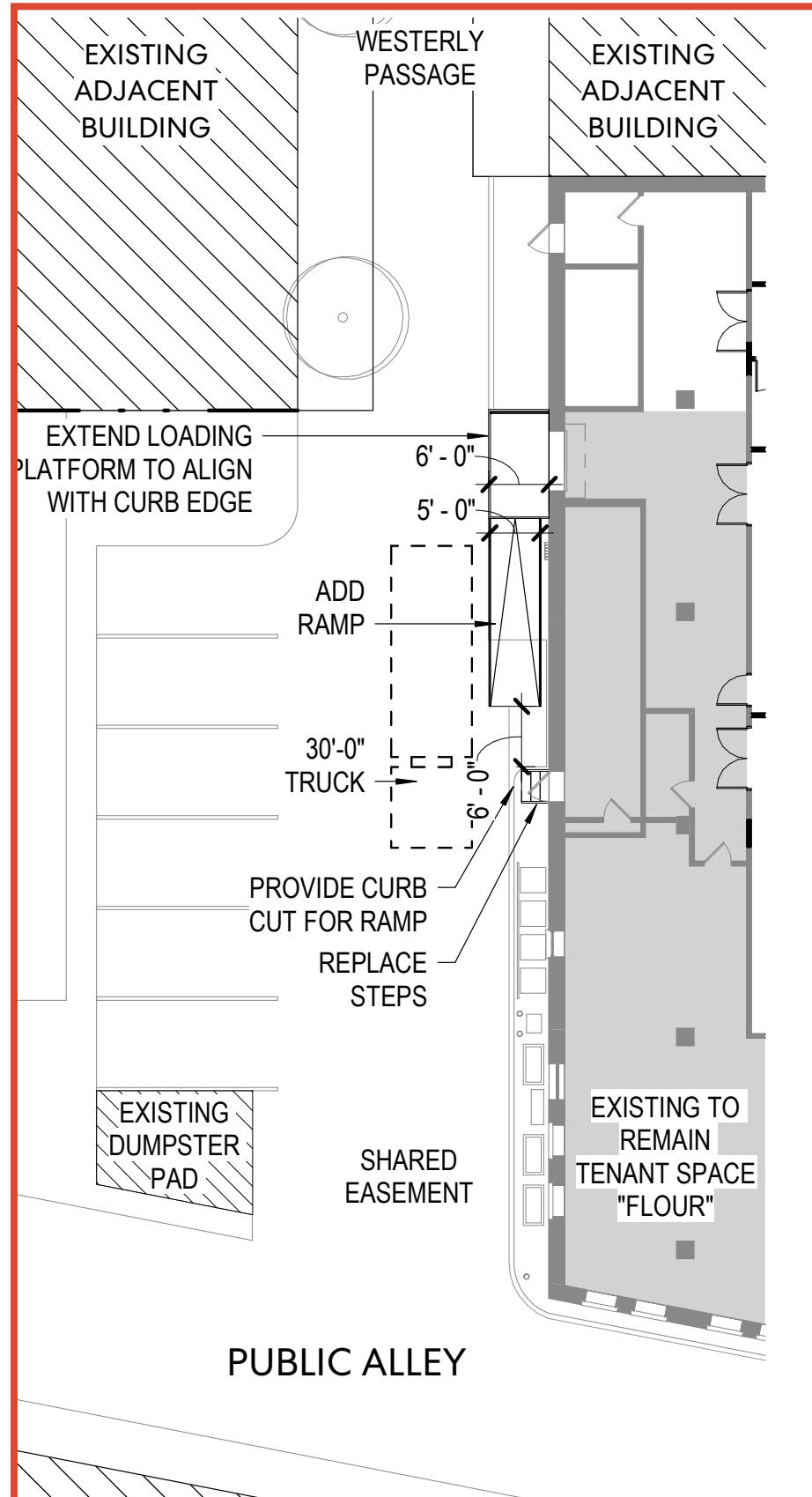
Proposed Designs

West Elevation

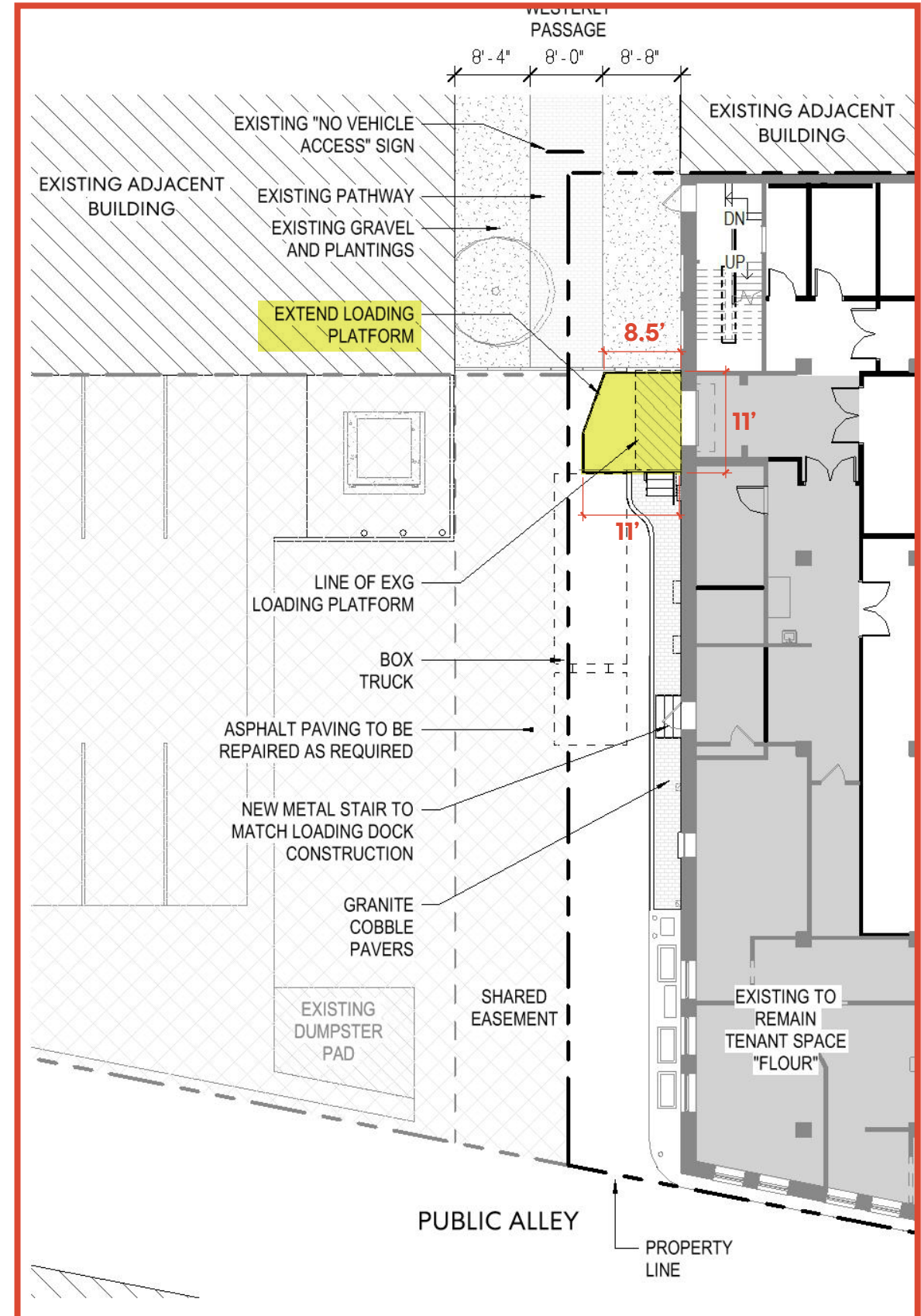


Loading Dock Improvements

12 Farnsworth Street



Previously Approved Loading Dock Design

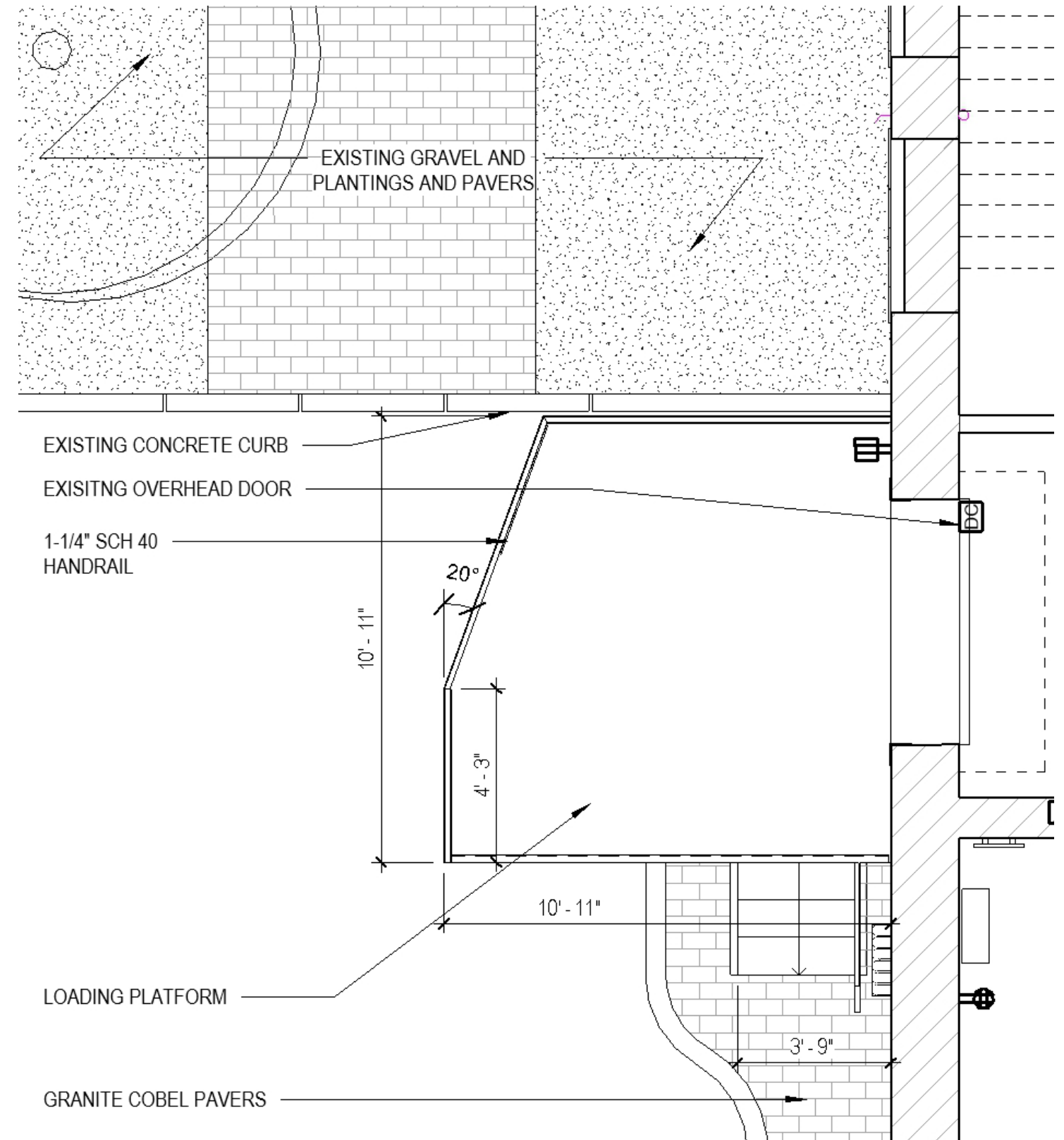
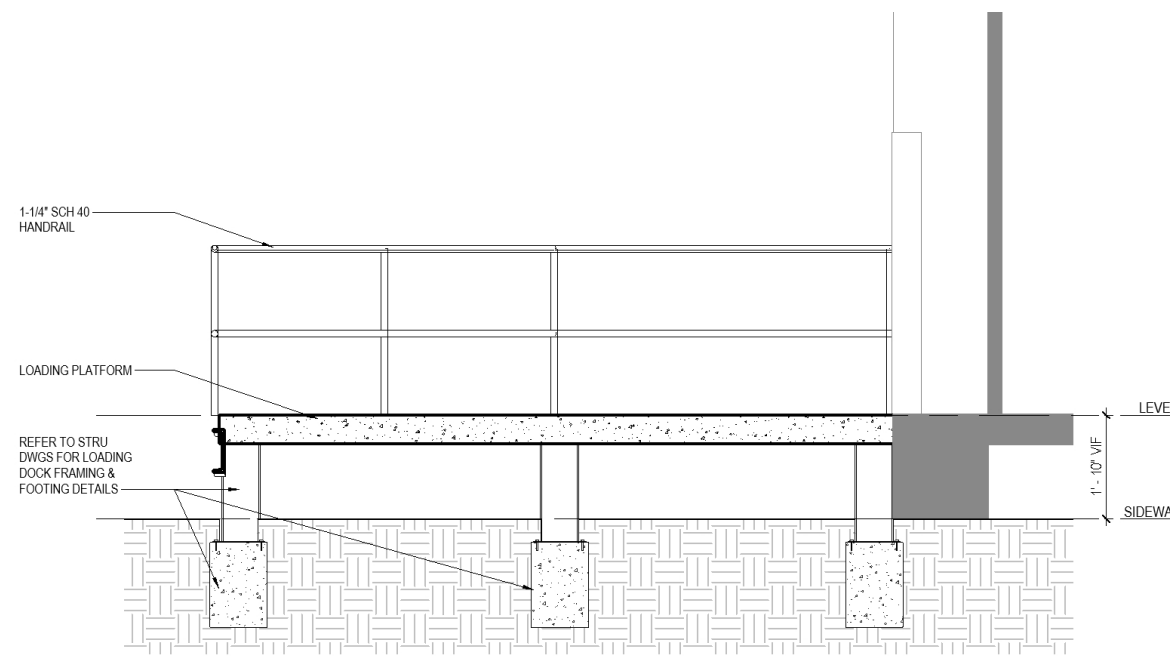
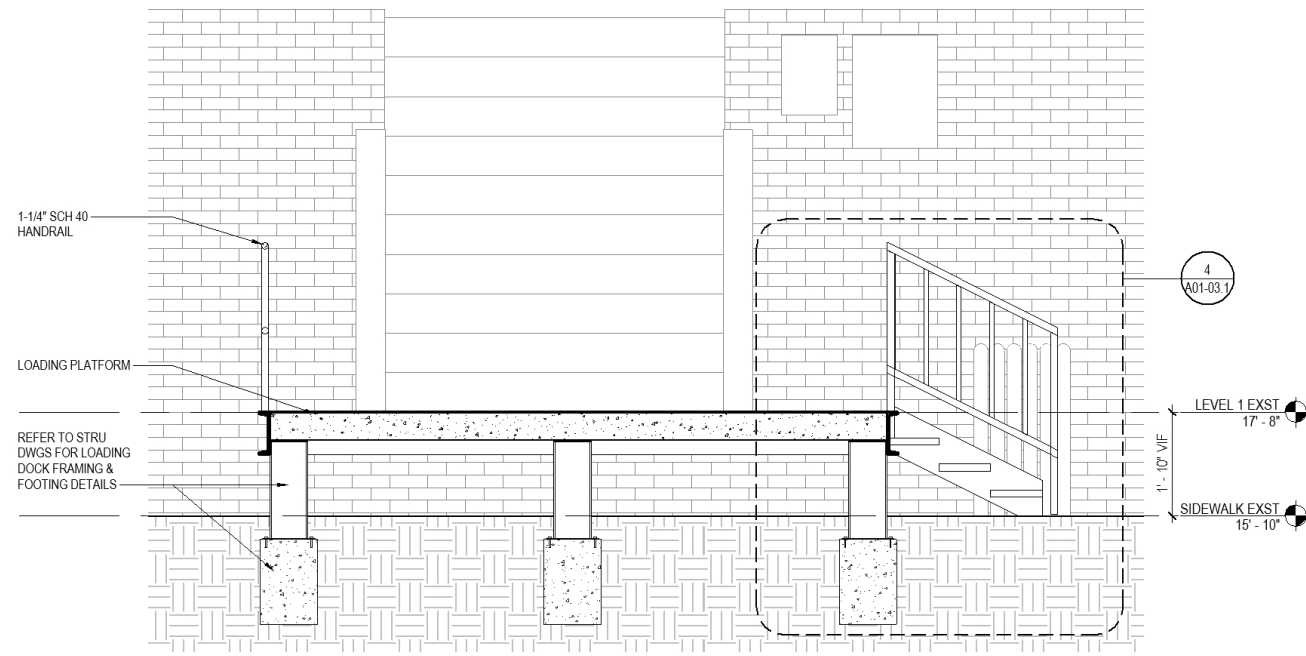


Proposed Loading Dock

Denotes Changes made since prior approval

Proposed Loading Dock Design

Proposed design to match existing loading dock construction



Existing Loading Dock Design

View from Westerly Passage



Proposed Loading Dock Design

View from Westerly Passage



Existing Loading Dock Design

View from Shared Easement



Proposed Loading Dock Design

View From Shared Easement



Existing Loading Dock Design

View from Westerly Passage



Proposed Loading Dock Design

View From Westerly Passage



Existing Loading Dock Design

View from Westerly Passage

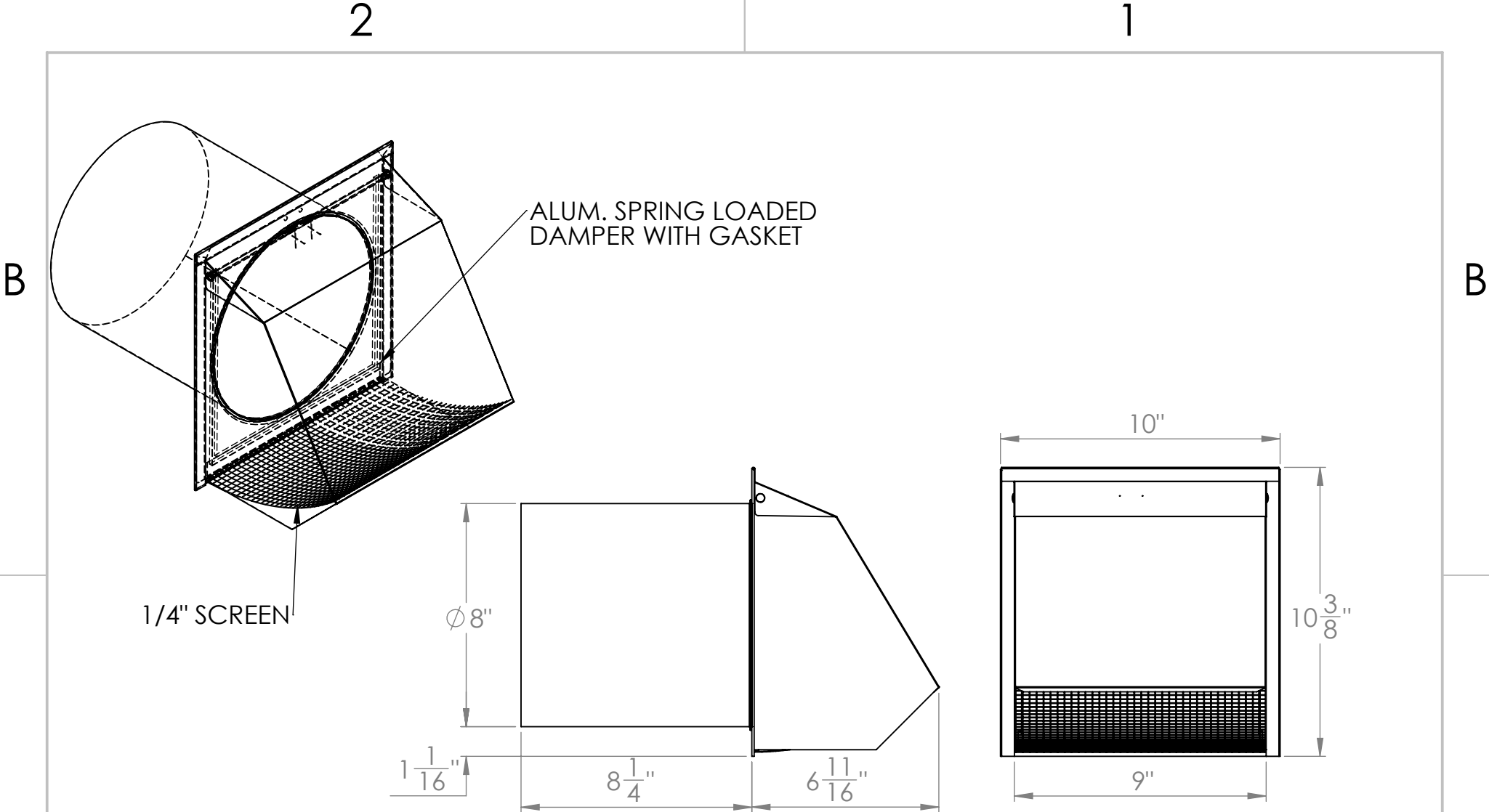


Proposed Loading Dock Design

View From Westerly Passage




Thank You!



A

A

 <p>PROPRIETARY AND CONFIDENTIAL THE INFORMATION CONTAINED IN THIS DRAWING IS THE SOLE PROPERTY OF FAMCO. ANY REPRODUCTION IN PART OR AS A WHOLE WITHOUT THE WRITTEN PERMISSION OF FAMCO IS PROHIBITED.</p>			UNLESS OTHERWISE SPECIFIED: DIMENSIONS ARE IN INCHES TOLERANCES: FRACTIONAL ± .125 ANGLES ± 1° TWO PLACE DECIMAL ± .01 THREE PLACE DECIMAL ± .005 FOUR PLACE DECIMAL ± .001	NAME DATE	FAMCO 649 N RALSTIN ST. MERIDIAN, ID 83642
			INTERPRET GEOMETRIC TOLERANCING PER: MATERIAL 28 GA.	DRAWN Alex Herrington 10/11/2019 CHECKED ENG APPR. Alex Herrington 10/11/2019 MFG APPR. Q.A. COMMENTS:	TITLE: WVEB8
	NEXT ASSY	USED ON	FINISH		SIZE A DWG. NO. WVEB REV
	APPLICATION		DO NOT SCALE DRAWING		SCALE: 1:5 WEIGHT: SHEET 2 OF 7

2

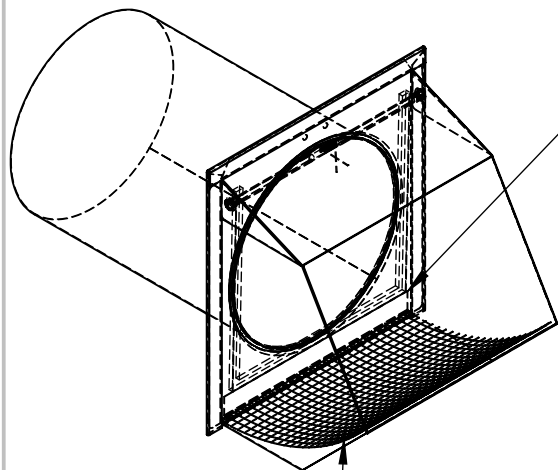
1

2

1

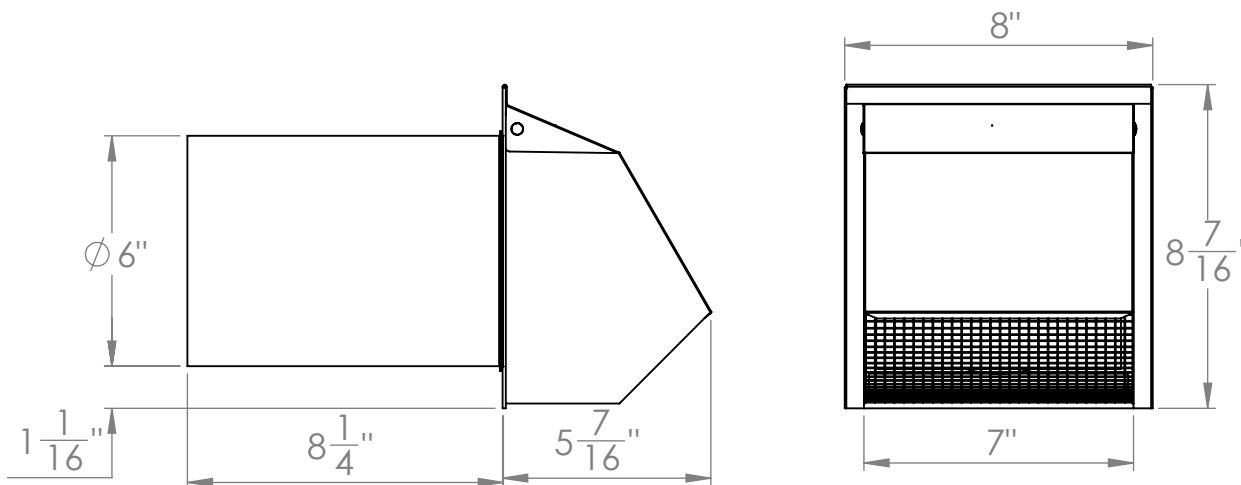
B

B



ALUM. SPRING LOADED DAMPER WITH GASKET

1/4" SCREEN



A

A



PROPRIETARY AND CONFIDENTIAL

THE INFORMATION CONTAINED IN THIS DRAWING IS THE SOLE PROPERTY OF FAMCO. ANY REPRODUCTION IN PART OR AS A WHOLE WITHOUT THE WRITTEN PERMISSION OF FAMCO IS PROHIBITED.

			UNLESS OTHERWISE SPECIFIED: DIMENSIONS ARE IN INCHES TOLERANCES: FRACTIONAL ± .125 ANGLES ± 1° TWO PLACE DECIMAL ± .01 THREE PLACE DECIMAL ± .005 FOUR PLACE DECIMAL ± .001	NAME	DATE
			INTERPRET GEOMETRIC TOLERANCING PER:	DRAWN	Alex Herrington 10/11/2019
			MATERIAL 28 GA.	CHECKED	
			FINISH	ENG APPR.	Alex Herrington 10/11/2019
NEXT ASSY	USED ON			MFG APPR.	
APPLICATION				Q.A.	
			DO NOT SCALE DRAWING	COMMENTS:	

FAMCO 649 N RALSTIN ST. MERIDIAN, ID 83642		
TITLE: WVEB6		
SIZE	DWG. NO.	REV
A	WVEB	
SCALE: 1:5	WEIGHT:	SHEET 4 OF 7

2

1