



83 Montgomery #3

Current Windows



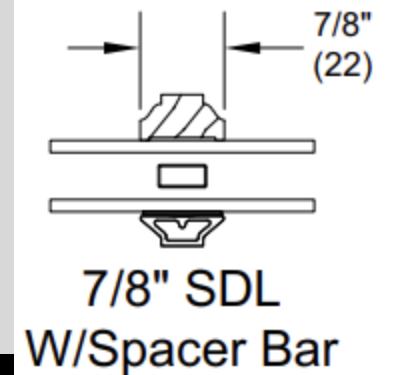
DAMAGE




Damage Continued


- We are proposing the replacement of these two Double Hung windows with new ones. The current windows are leaking water into the home, every time it rains.
- The current windows are wood and are covered by an aluminum storm window. We believe the water is coming in through the storm window as well as the trim around the window and the window itself.

Proposed New Windows. Marvin with 6 over 6 SDL Grilles



CONTACT US FIND A DEALER TECHNICAL SPECIFICATIONS SEARCH

MARVIN  Products Solutions Inspiration Why Marvin



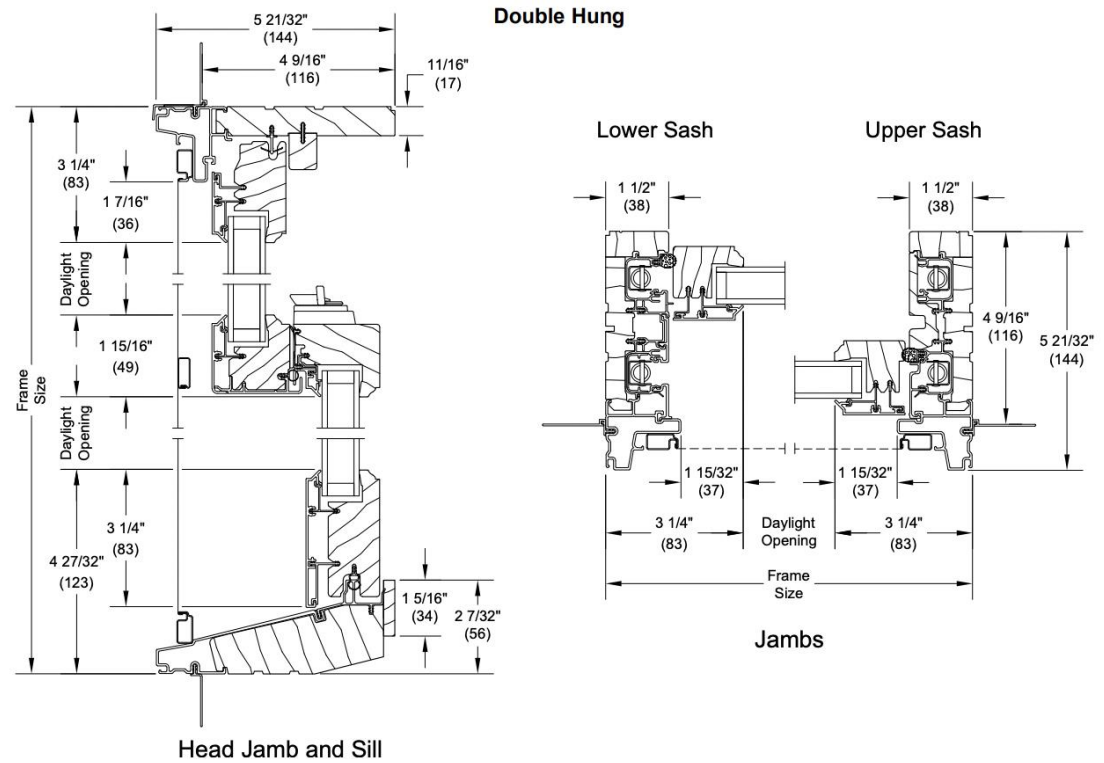
FEATURES OF THE ULTIMATE DOUBLE HUNG G2 WINDOW

- Available in heights up to 10.5 feet or widths up to 5.5 feet
- Marvin's exclusive auto-lock activates when sashes are closed for convenient security
- Unique wash mode allows cleaning of both sides of glass from indoors
- Narrow checkrail maximizes view, while maintaining historical accuracy
- Available with the same features in a single hung style, with optional Lift Lock
- Additional configurations include round top, stationary transom or picture window
- Hidden Lock Status Sensor option connects with your smart home to indicate when windows are closed and locked
- Available with IZ3 coastal/hurricane certification
- Available with Commercial Windows Performance certification
- CE certified

ADM DETAILS

Section Details: Operating

Scale: 3" = 1' 0"





Other similar projects we have done

- 236 West Canton. All 1st, 2nd, 3rd floors