


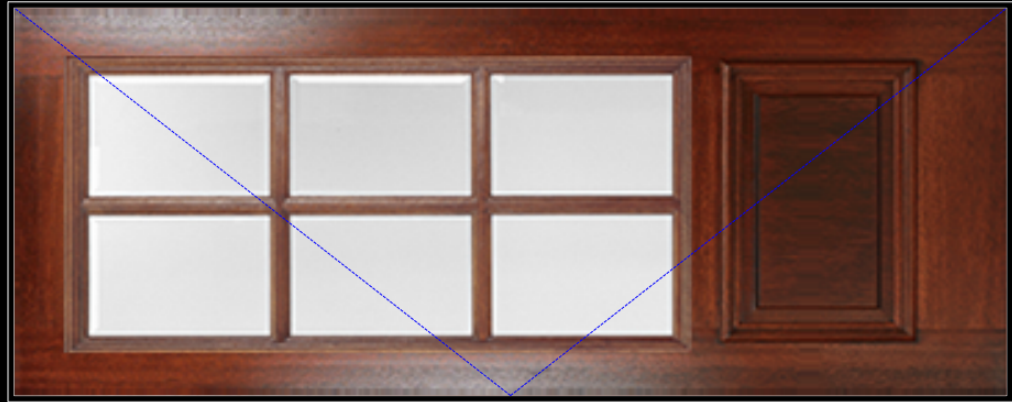
Existing door

Door is in poor condition and does not have proper knob or lock





Existing door jamb in poor condition



79.75"

31.75"



Close

Type here to search

7:58 AM 3/31/2022

41°F

Taskbar icons: Microsoft Edge, File Explorer, Mail, Photos, Microsoft Word, Microsoft Excel, Microsoft PowerPoint, Microsoft Teams, OneDrive, Chrome, Adobe Reader, Windows Store, Settings, Task View, Start Menu, System Tray (Network, Volume, Bluetooth, Power, Notification Area Icons).



Detailed Product Description

Frame

- Select hardwoods.
 - [Mahogany] doors are hung in matching frames.
 - Rustic walnut doors are hung in mahogany frames.
- [Mahogany] frame is engineered wood. Interior exposed surfaces are veneered with clear match face material.
- Wood exterior [brickmould] [S45 flatscreen] [LC11 deco casing] trim is available.³
- Interior casing is available to match the frame material.³
- Sill is extruded exterior aluminum [standard in-swing with adjustable oak threshold] [stand out-swing bumper sill] [1/2" low profile] with [anodized brass] [anodized bronze] [mill] finish.
- Wall depth [4-9/16"] [4-3/4"] [4-7/8"] [5"] [5-1/8"] [5-1/4"] [5-3/8"] [5-1/2"] [5-5/8"] [5-3/4"] [5-7/8"] [6"] [6-1/8"] [6-1/4"] [6-3/8"] [6-1/2"] [6-9/16"].

Door Panel

- Select hardwood [mahogany] [walnut].
- Edge banding of square-top panels is [mahogany] [walnut].
- Panel thickness is [1-3/4" (45 mm)] [2-1/4" (57 mm)].

Weatherstripping

- Compression type foam filled weather strip at head and jambs.
- [In-swing] [In-swing with low profile sill] [Out-swing with low profile sill] Dual durometer extruded polymer with leaves at bottom edge of door panel will contact threshold and includes drip.] [Out-swing: Extruded polymer bulb is attached to the bumper sill.]

Glazing System

- Quality float glass complying with ASTM C 1036.
- 5/8" (16 mm) tempered insulating glass [Decorative¹: _____ (specify glass type)] [Textured glass [Antique] [Flemish] [Reeded]] [true divided light with 1-1/4" (32 mm) edge bevel in each light].
- All glazing meets ANSI Z97.1 and U.S.C.P.S.C. Standard 16 CRF 1201.

Finish

- Exterior and Interior [unfinished - ready for site finishing] [factory applied stain finish].

Hardware and Hardware Prep

- Ball bearing hinges: [Bright Brass] [Satin Nickel] [Oil-Rubbed Bronze] [Black] for operable doors.
 - Square top and eye-brow top doors: Three (3) per door panel 6' 8" (2032 mm) panel height; four (4) per door panel on 8' 0" (2439 mm) panel heights.
 - Round top doors: Three (3) per door panel on all panel heights.
- Flush bolt for double doors will match hinge finish.
- Each door panel is [no bore] [factory-prepped for 2-1/8" (54 mm) latch bore] [factory-prepped for 2-1/8" (54 mm) latch bore and 2-1/8" deadbolt, 5-1/2" (140 mm) on center] [factory-prepped for 1-1/16" (27 mm) or 2-1/8" (54 mm) multipoint latch bore 6" (153 mm) on center].
- Backset is [2-3/8" (60 mm)] [2-3/4" (70 mm)]. Backset for multipoint prep is 2-3/8" only.
- Optional multi-point lock hardware is stainless steel.
- Optional multi-point lock handle set hardware², with Kwikset® SmartKey® cylinder.
- 8' 0" doors feature an extended top flush bolt, partially concealed behind the astragal which lowers the operator to approximately 12" from the top of the door panel.

Optional Products

Decorative Accents³

- Exterior Iron Grilles
 - Iron with black powder-coat finish.
- Dentil shelf (available on select Craftsman panels only)
 - Shelf is factory applied to exterior.
- Clavos (available on select rustic walnut and mahogany panels)
 - Metal [1-1/4" (32 mm) round] [1-1/8" (29 mm) square] with Black finish.
 - Factory applied to exterior.
- Decorative [14" (356 mm)] [20" (508 mm)] strap with black finish (available on select rustic walnut and mahogany panels). Applied to exterior.
- Surface Bolt [6" (153 mm)] [12" (305 mm)] [18" (458 mm)] available in [French Antique] [Oil-Rubbed Bronze] [Satin Nickel]. Field Applied to the interior.
- Cross bucks (available on select rustic walnut panels only).
- Speakeasy options (available on select rustic walnut and mahogany panels only)
 - Operable speakeasy door without glass.
 - Opening is weather stripped.
 - [Square top] [Full Radius] [Eyebrow Radius, mahogany panels only].
 - Butterfly hinged with latch hardware in Black finish.
- Operable speakeasy door with dual pane insulated glass.
 - [Square top] [Full Radius] [Eyebrow Radius, mahogany panels only].
 - Butterfly hinged with latch hardware in Black finish.
 - Speakeasy accents with IG - no door
 - 5/8" [Antique] [clear] [clear beveled] tempered insulated glass.
 - Speakeasy grille - factory applied to exterior - Black finish.

(1) Contact your local Pella retailer for current decorative glass options.

(2) Contact your local Pella retailer for current handle style and finish options.

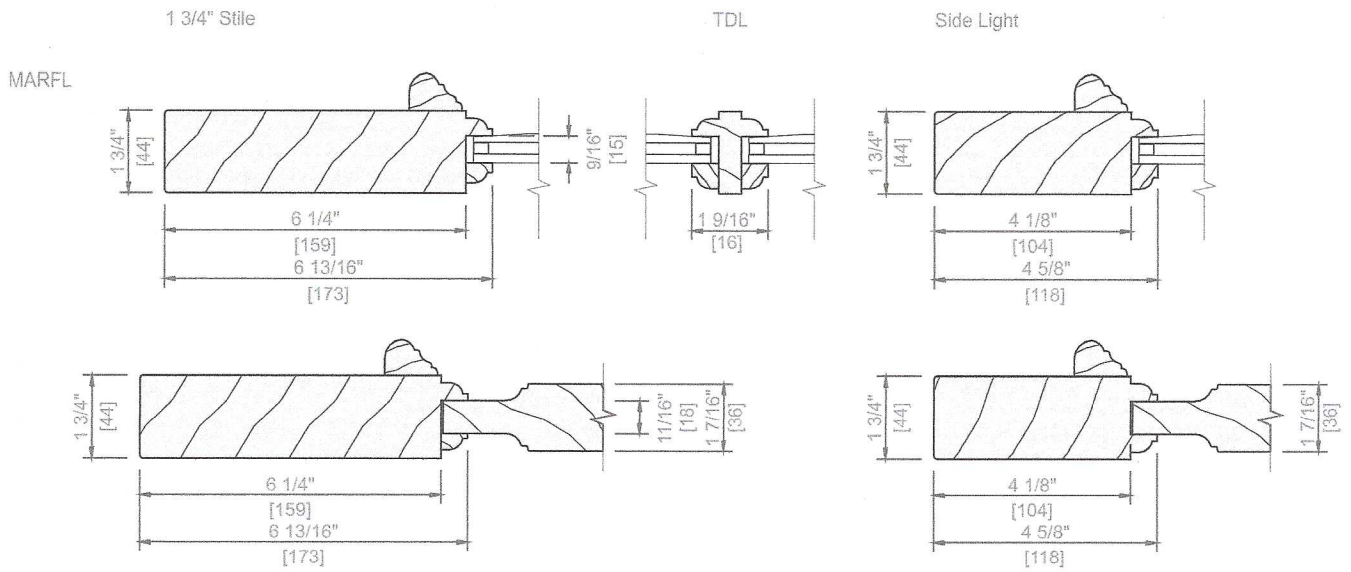
(3) Contact your local Pella retailer for current offerings.



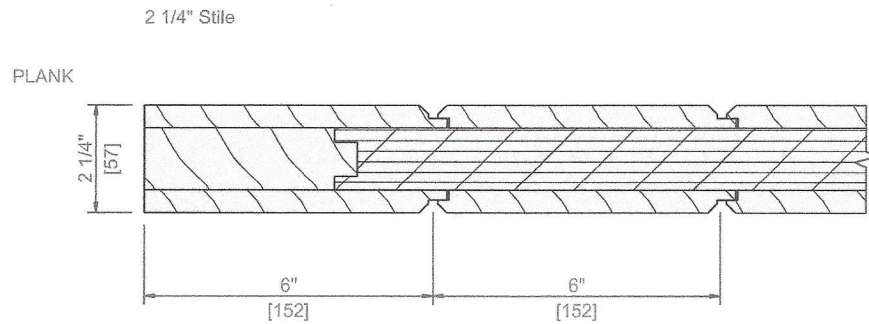
Premium Wood Entry Doors

Panel Cross Sections

MARFL Collection



Planked Panels (2-1/4" panel thickness)

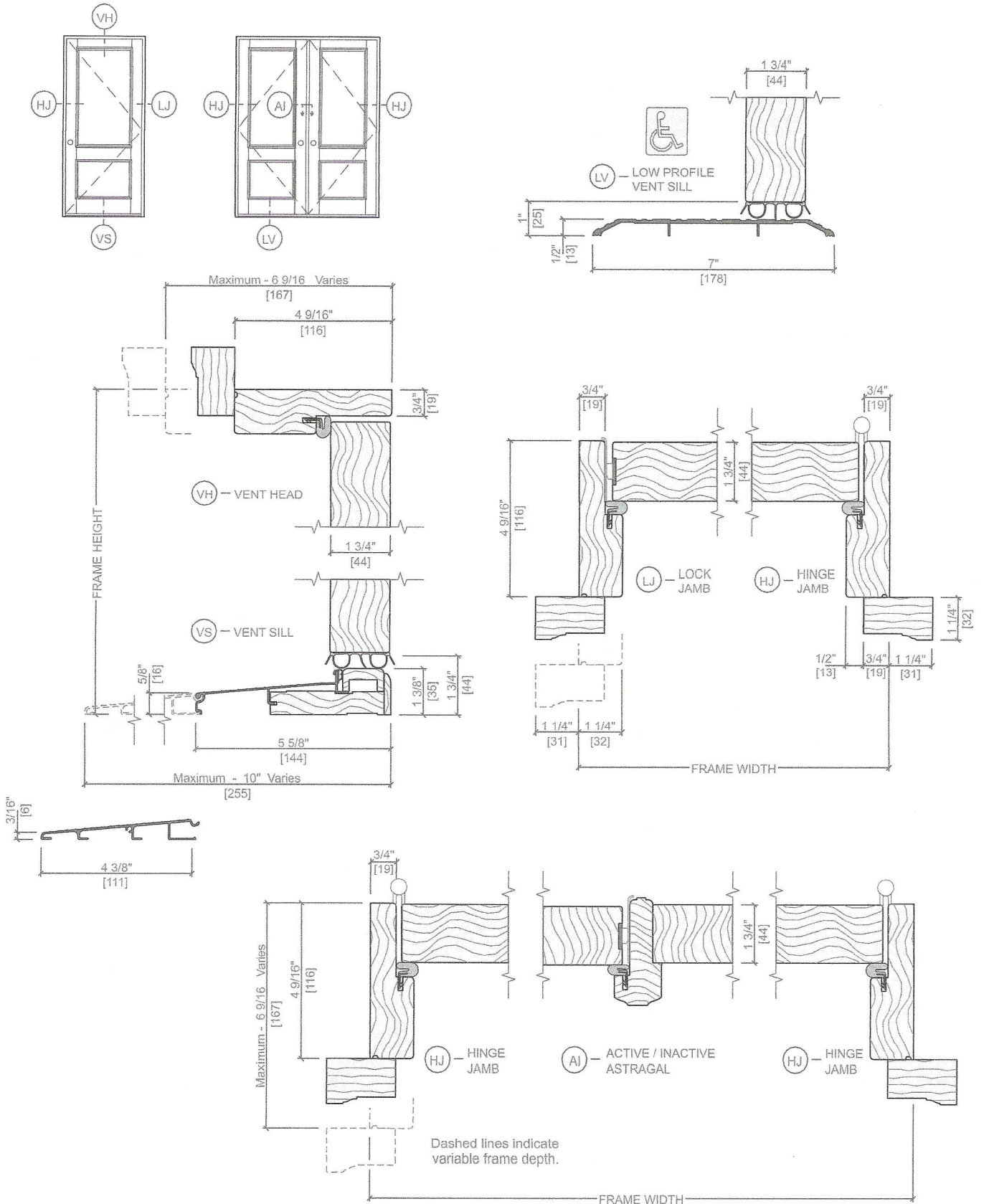


Scale 3" = 1' 0"



Premium Wood Entry Doors

Unit Sections - In-Swing 1-3/4" Panel Thickness



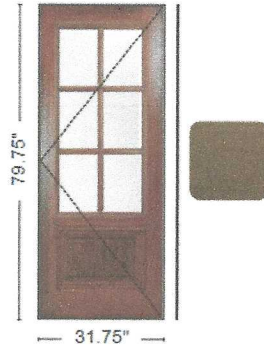
Scale 3" = 1' 0" All dimensions are approximate.

Optional brickmould shown.

Cross section drawings do not reference composition of frame or panel as they will vary according to wood species and panel style selected.

Customer Approval Form:

Signature: _____ Date: _____



Viewed from the Exterior

Quote Number: 15053697

Line Number: 10

Quote Qty: 1

Scaling: 1/2" = 1'

Description: Premium Wood Entry Door, Entry Door, Inswing, 31.75 X 79.75, 4 9/16"

Rough Opening: 32.5" X 80.25"

These drawings are based on our interpretation of the information provided to us. They are submitted for final approval of the individual** responsible for the project and are not intended to create any warranty or other liability. The user** is responsible for compliance with applicable building codes or other regulations and determining the suitability of the suggestions for the particular application, including the final design of reinforcement, flashing, and sealant systems for all window and door installations.

** building owner, architect, contractor, installer and/or consumer



Quote Name: Basement entry door

Project Name: 30 Dwight St, South Bosto

Jobsite Location: BOSTON, MA

Room Location: None Assigned

Sales Branch Location: 18500 Pella Boston Windows & Doors

Neighbor door on Dwight Street. Inspiration for new door.

