

Historic District Application: Exterior Scope of Work

Georgantas Design & Development

520 Tremont St. Boston, MA 02116

Scope of exterior work for existing structure at 520 Tremont St. Boston, MA 02116. The work involves no structural changes, or change of occupancy use. Exterior work does involve updates and refinishing of existing materials. As well as the addition of new lighting fixtures.

A) Remove all metal grates and boxed headers from window fronts. See (A) on Image 1 & 2.

B) Paint all existing black concrete columns gray.
Repaint all woodwork that is currently black.
Reference Image 1 & 2.
Benjamin Moore Semi-Gloss:
HC-169 Conventry Gray.
2132-10 Black.

C) Re-stain all woodwork that is currently stained.
Reference Image 1 & 2.

D) Polish all existing brass. Reference Image 1 & 2.

E) Install tile at front entry. See (E) on Image 1, green highlight. See Image on page 5.

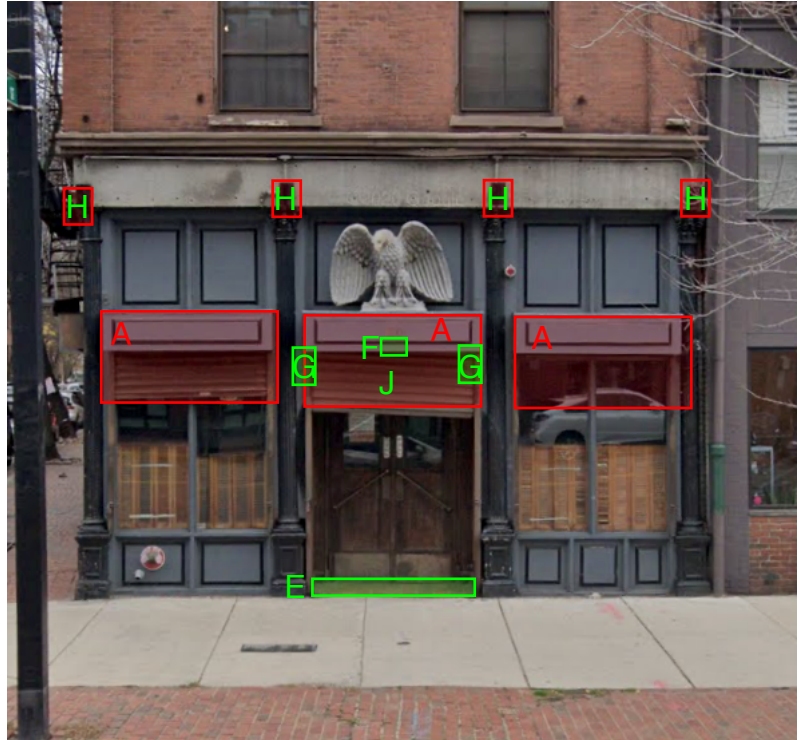
F) Replacing and relocating address numbers (520).
Numbers to be brass and 5" in height. See (F) on Image 1.

G) Install new lantern sconces between entry and window fronts. See (G) on Image 1. See cut sheet on page 2.

H) Install new sconce downlights along building side. See (H) on Image 1 & 2. See cut sheet on page 4.

(I) Install new support below eagle in place of existing grate header. See (I) on Image 1.

(J) Install one recessed can in entry soffit above double-door.



THE URBAN ELECTRIC CO.

LIGHT FIXTURE (G)



HILLGATE LANTERN



LIGHT FIXTURE (G)

HILLGATE LANTERN

WALL REGULAR

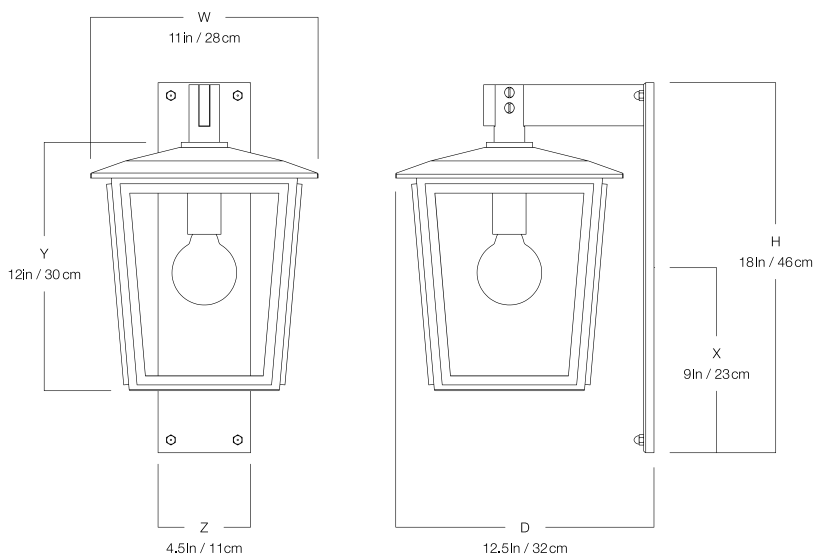
MA-1805WR

DIMENSIONS

Width	11 in
Height	18 in
Depth	12.5 in
X	9 in
Y	12 in
Z	4.5 in

MOUNTING

Recommended Installers	1
Weight	31 lbs
Backplate	4.5 in x 18 in
Junction Box	4 in oct/rnd



LAMP / WIRING

Max Wattage	(1) 60W S
Ships with complimentary LED bulb	



RATING

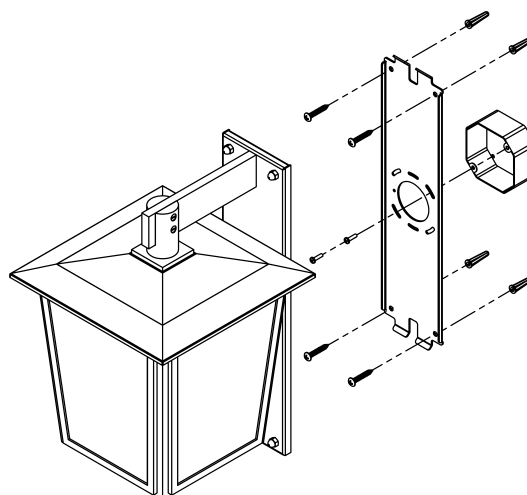
Suitable for WET locations

UL Listed



PATENTS

This fixture is Patented with the United States Patent and Trademark Office. Patent No. D830,610 October 09, 2018



LIGHT FIXTURE (H)



Grant Large Sconce

Item # RL 2181BZ

Designer: Ralph Lauren

Height: 10.5"

Width: 7.5"

Extension: 6.25"

Backplate: 10" x 7.5" Triangle

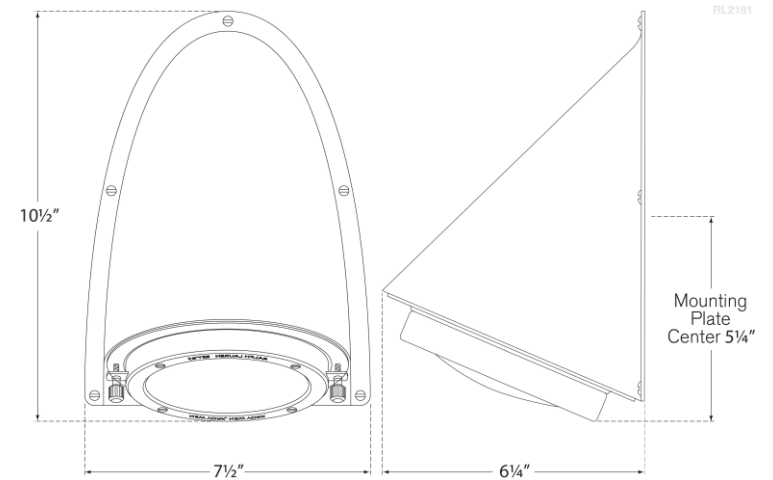
Finishes: BZ, NB, PN, WZ

Glass Options: CG

Socket: E26 Keyless

Wattage: 60 A19

Weight: 5 Pounds



TILE DESIGN (E)

