

435 Columbus Ave

existing



243" x 22" x 1-1/2" aluminum pan painted red
8.3" x 3/8" thick raised letters painted white

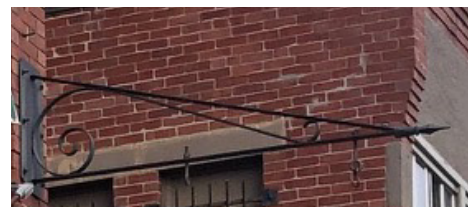


(A) Wall Sign
1/2" scale

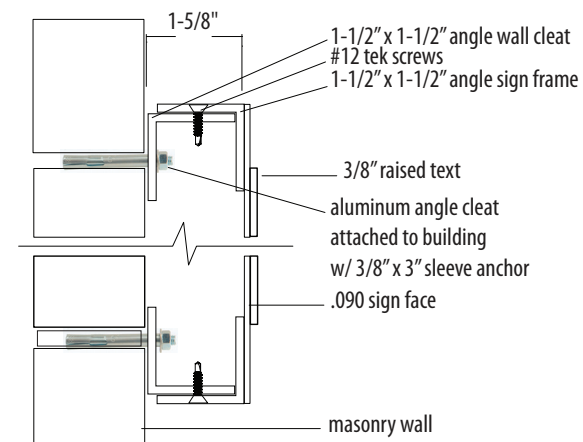


40" x 20" x 1" aluminum tube frame sign painted red
3.5" x 1/4" thick raised letters and 16" x 9" graphic painted white

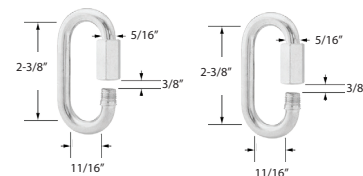
(B) Hanging Sign
1" scale



(C) Existing 60" hand forged bracket in excellent condition
NTS



(D) Pan Sign Brick + Mortar Attachment Detail
1" scale



(E) Hanging Sign Attachment Detail
5/16" quicklinks®
6) 1/2" x 6" sleeve anchors

proposed



proposed



bostonsign

www.bostonsign.com
40 Plympton Street Boston, MA 02118
Tel. 617-338-2114 Fax 617-482-4825

CUSTOMER:



PROJECT:

435 Columbus Ave

DATE:

9/10/21

SCALE:

As Noted

DRAWN BY:

RT

FILE:

Agency.ai

This artwork is Copyright © 2021 Boston Sign. Use of this artwork by any party other than Boston Sign for any purpose whatever is prohibited without a signed release from Boston Sign.

exterior
signage



JFIT
BOSTON

Giacomo's

Charles's
SANDWICH SHOP

