

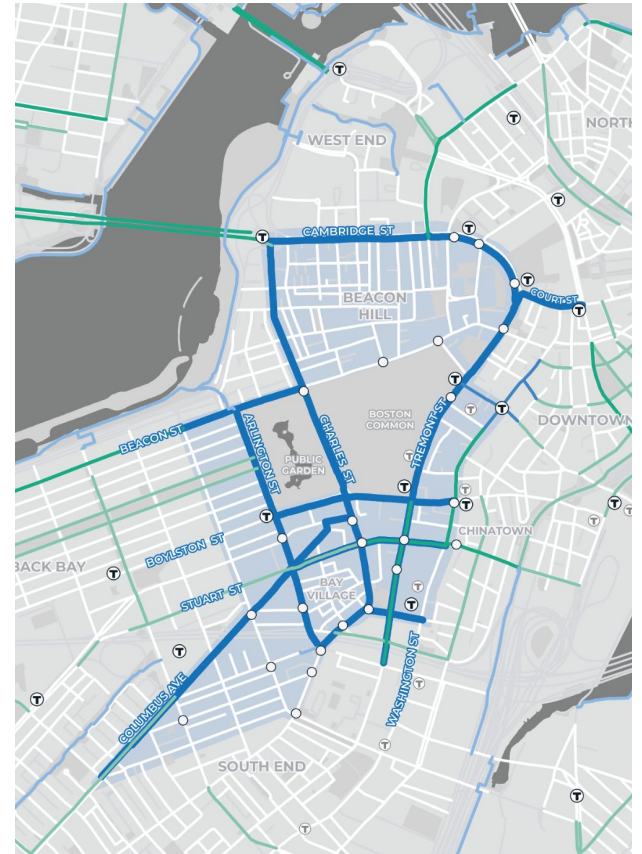
CONNECT DOWNTOWN: PUBLIC GARDEN CROSSINGS

Beacon Hill Architectural Commission
October 21, 2021

CONNECT DOWNTOWN

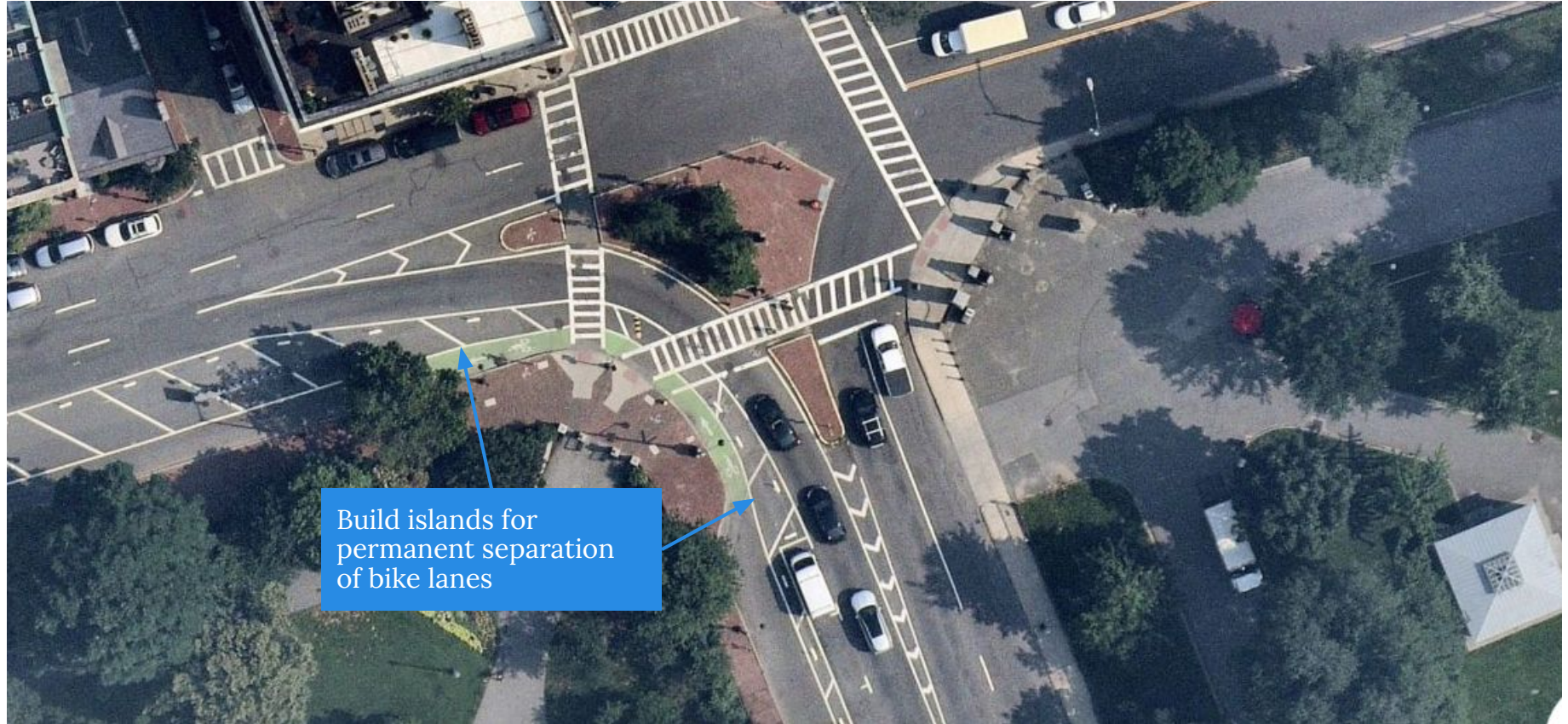
Project goals:

- ▶ Improve pedestrian crossings along the route,
- ▶ Provide comfortable, reasonably direct routes for bicyclists, and
- ▶ Enhance pedestrian access to the Public Garden and Common.





BEACON/CHARLES



Build islands for permanent separation of bike lanes

BEACON/ARLINGTON/MUGAR

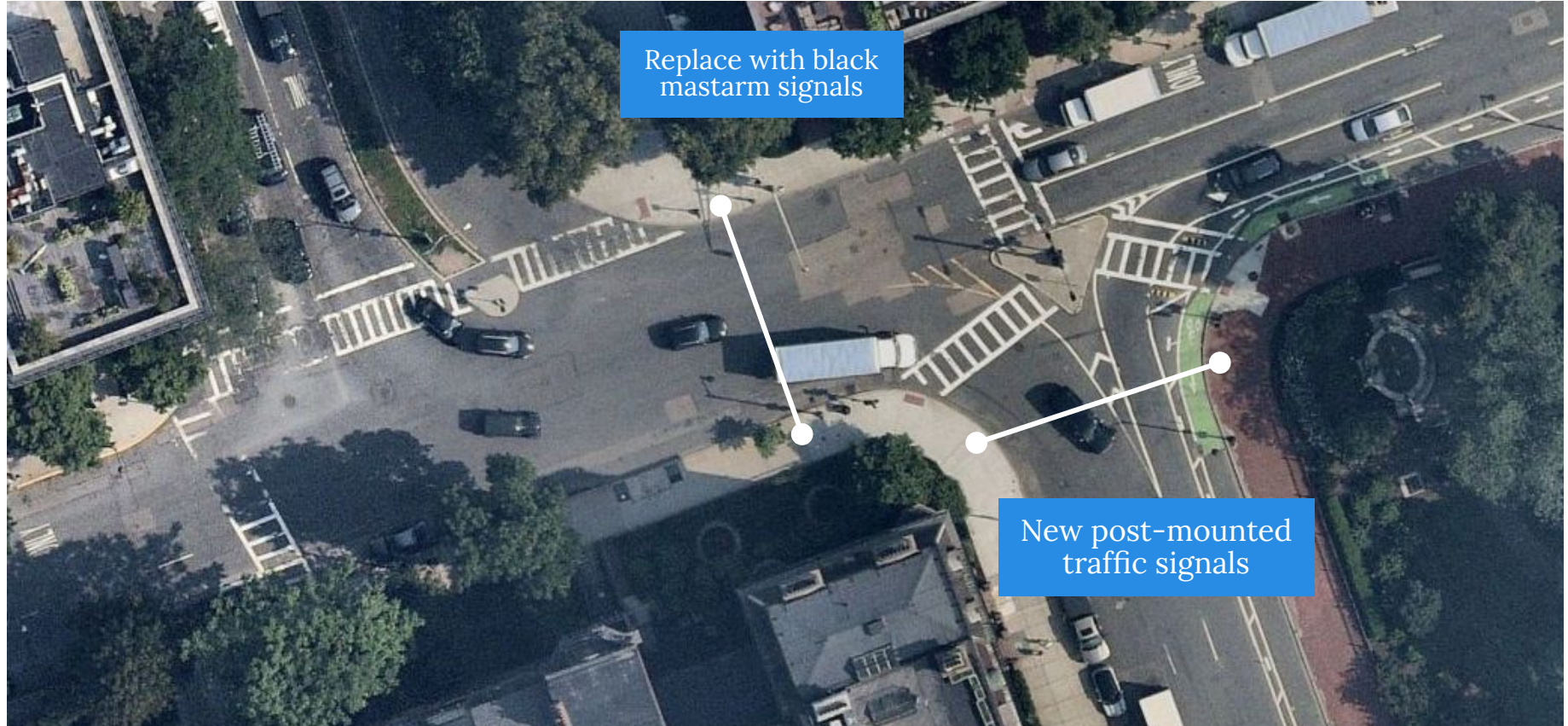


Replace with concrete

Replace with brick

New directional crosswalks and ramps

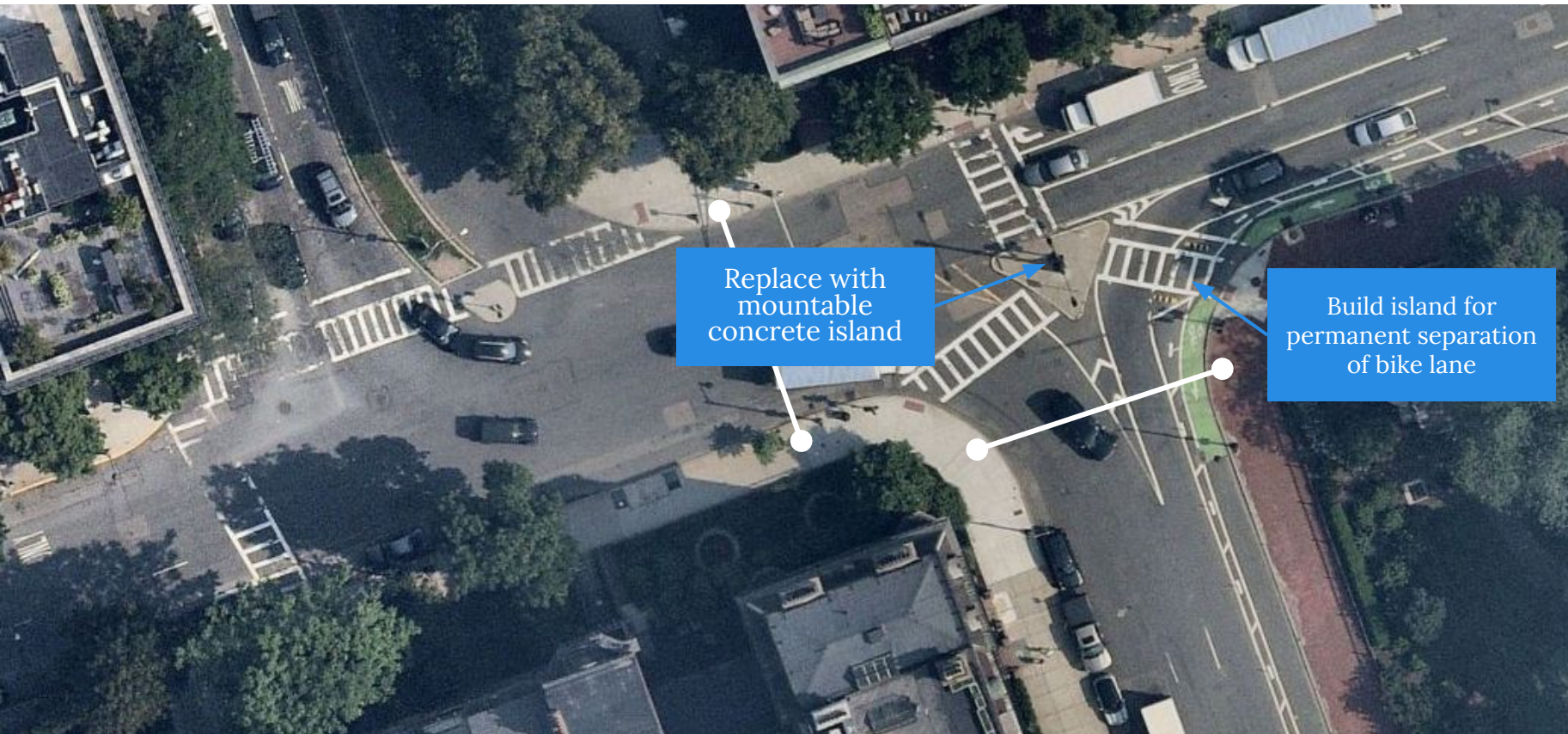
BEACON/ARLINGTON/MUGAR



Replace with black
mastarm signals

New post-mounted
traffic signals

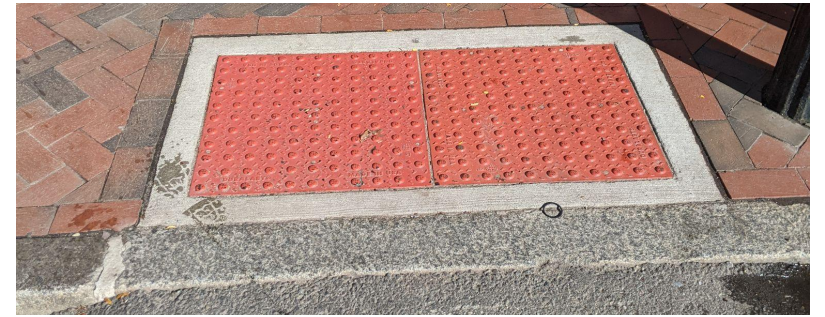
BEACON/ARLINGTON/MUGAR



Replace with mountable concrete island

Build island for permanent separation of bike lane

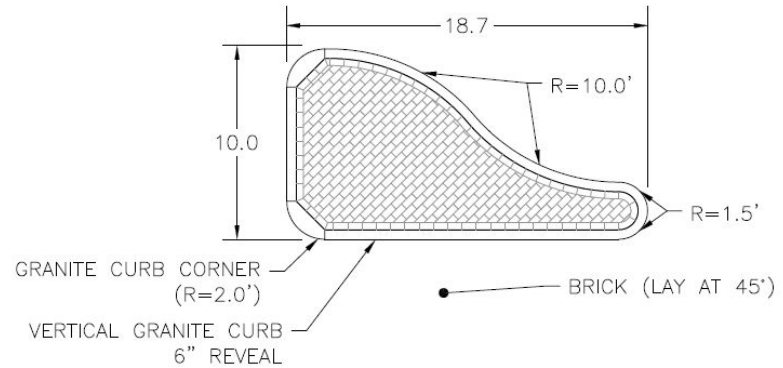
MATERIALS: SIDEWALKS AND RAMPS



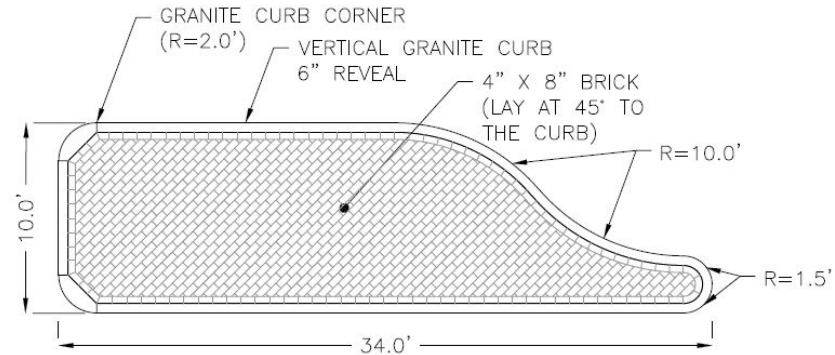
MATERIALS: STREET FURNITURE



BUILT ISLANDS: DESIGN APPROACH



FAR SIDE DAYLIGHTING ISLAND
NOT TO SCALE



NEAR SIDE DAYLIGHTING ISLAND
NOT TO SCALE