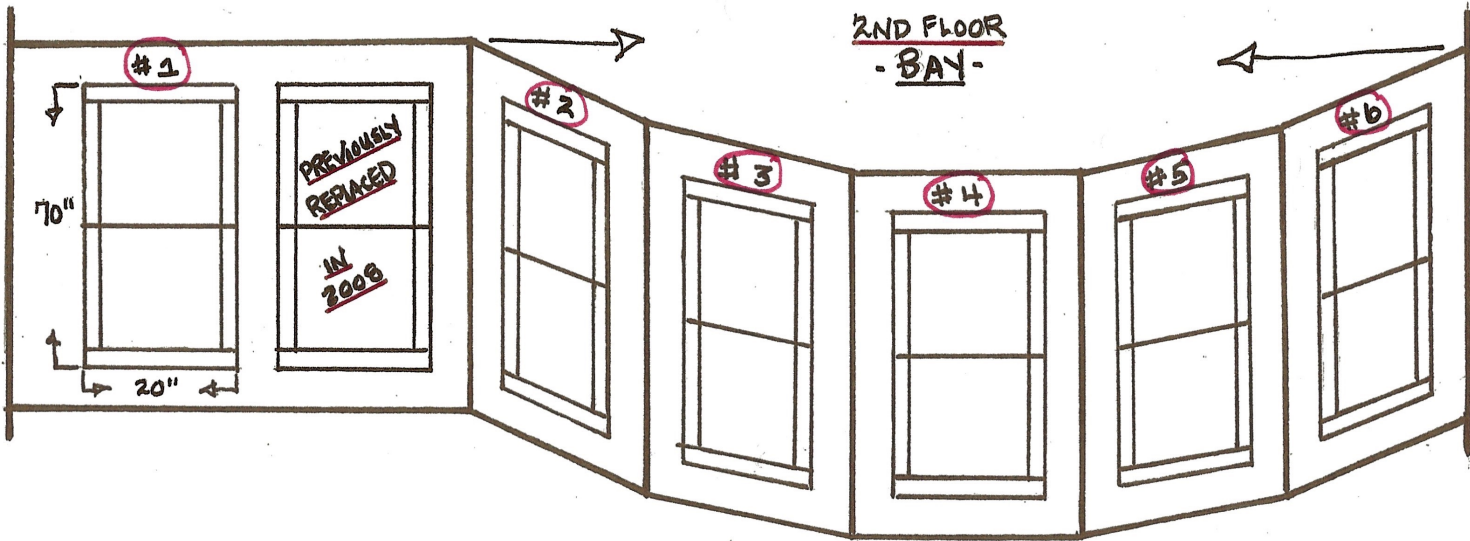


DRAWING A

FULL VIEW OF SIX REPLACEMENT WINDOWS
- INCLUDING LEFT #2 AND RIGHT #6 HIDDEN IN PHOTOS -

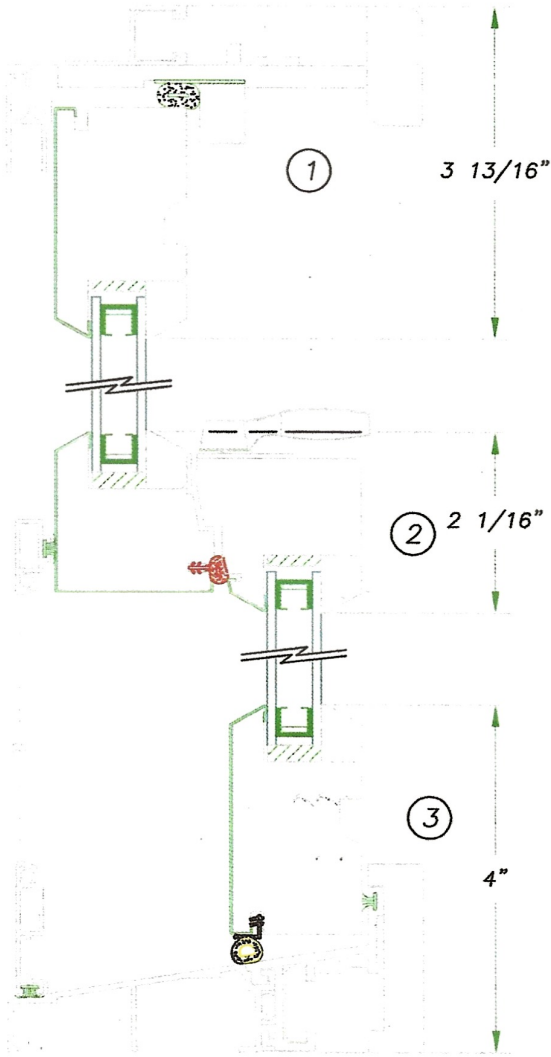


SCALE
 $\frac{1}{4}'' = 10''$

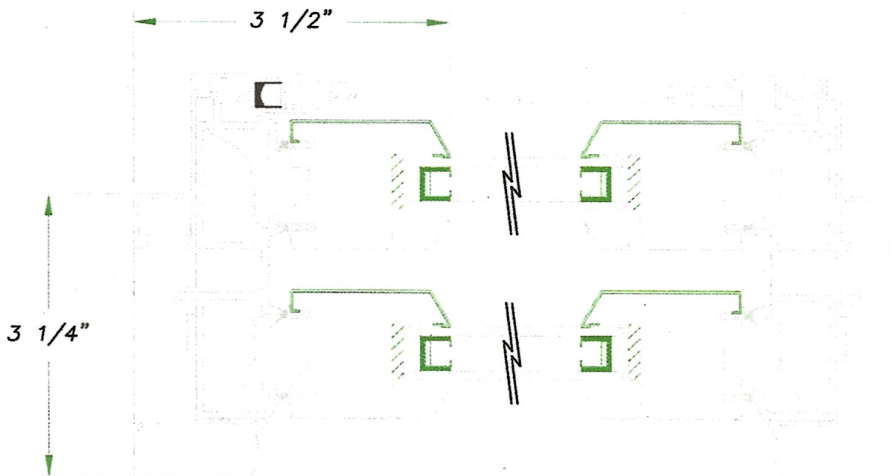
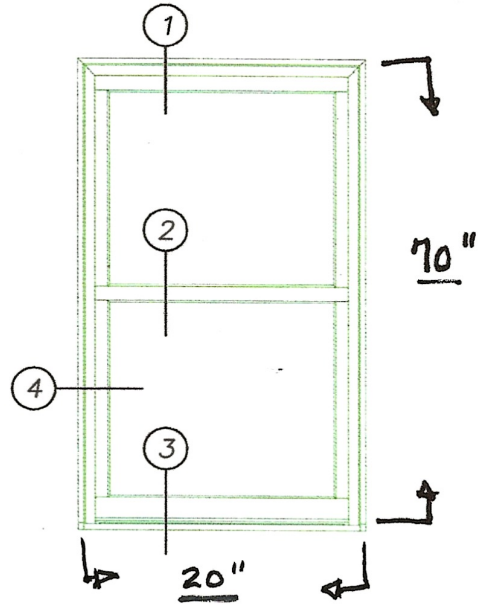
VIEW FROM SAINT BOTOLPH STREET

116 SAINT BOTOLPH ST, BOSTON MA 02115

SPEC. SHEET - B



Harvey Industries, Inc.
Majesty Replacement
Double Hung
(1/2 Scale)



R.P. HAY/08

9-24-21