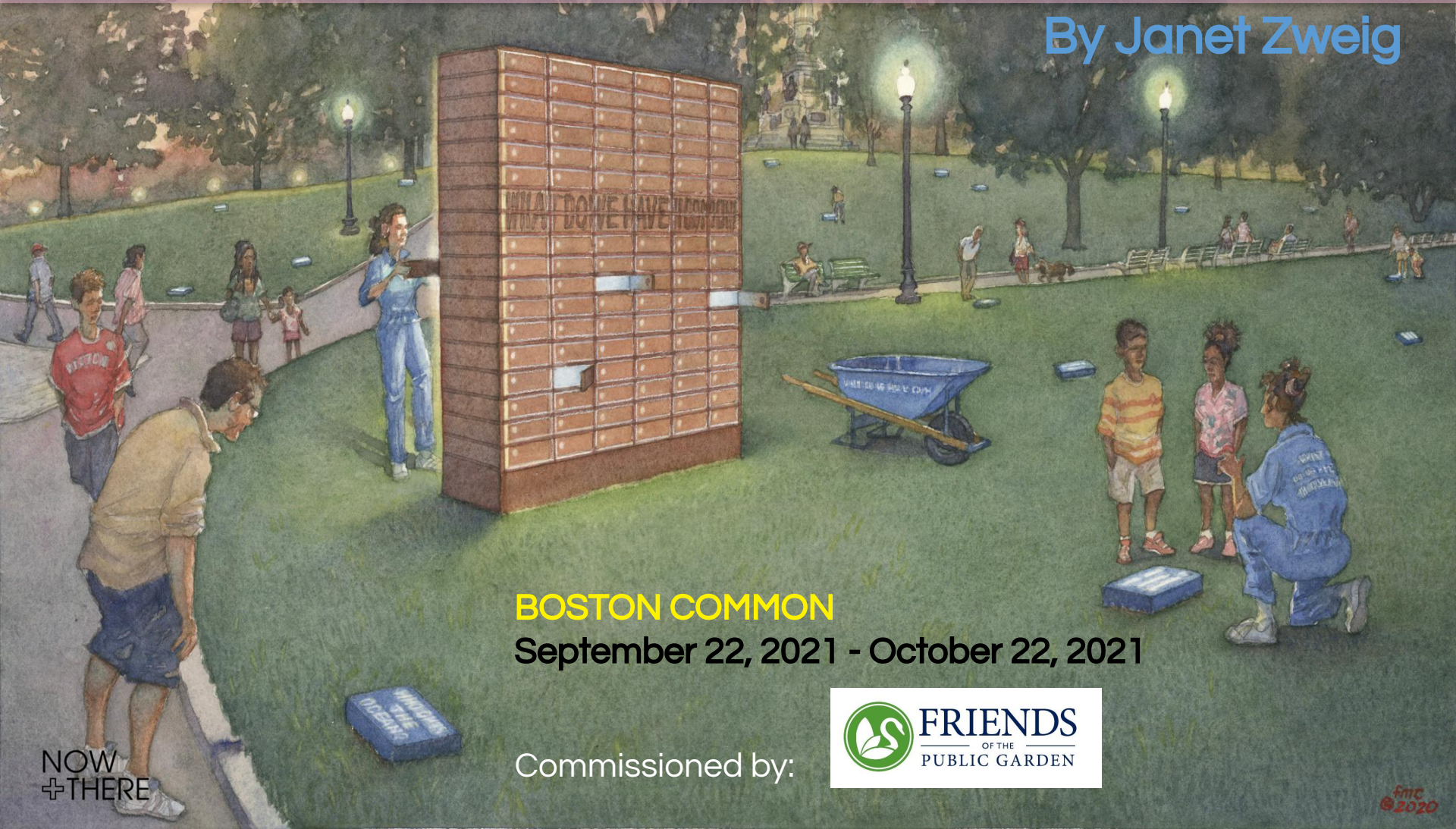


TEMPORARY PUBLIC ART INSTALLATION + PERFORMANCE

WHAT DO WE HAVE IN COMMON?

By Janet Zweig



BOSTON COMMON

September 22, 2021 - October 22, 2021

NOW
+ THERE

Commissioned by:



FRIENDS
OF THE
PUBLIC GARDEN

fmg
© 2020

What Do We Have In Common?

Commissioned by the Friend of the Public Garden to honor their 50th Anniversary in 2020, and curated by Now + There “What Do We Have in Common?” by Janet Zweig will engage all visitors to the park on a quest to find out what they have in common with each other and instill a sense of responsibility in caring for common pool resources like the historic Boston Common.

Janet Zweig



The Walled Garden at Mellon Park, Pittsburgh



Urban Triangle Park, Westlake and Lenora, Seattle



West Sacramento, CA

Janet Zweig is an artist who lives in Brooklyn, NY, working primarily in the public realm.

Her **public works** include a kinetic installation on a pier on the Sacramento River, a performance space in a prairie on a Kansas City downtown green roof, a generative sentence on a wall in downtown Columbus, a sentence-generating sculpture for an engineering school in Orlando, a 1200' frieze at the Prince Street subway station in New York, and a system-wide interactive project for eleven Light Rail train stations in Minneapolis, incorporating the work of over a hundred Minnesotans.

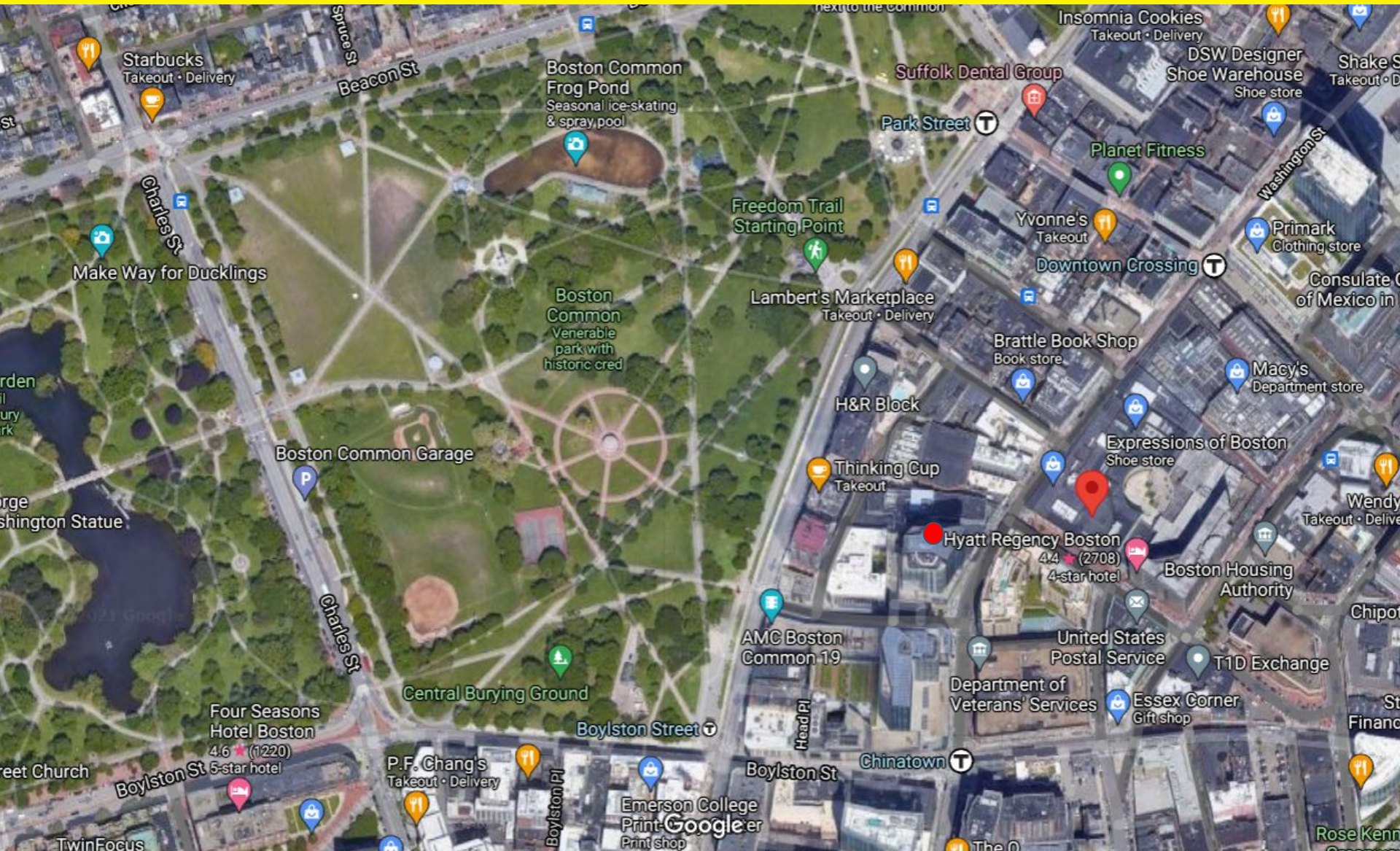
Her sculpture and books have been exhibited widely in such places as the **Brooklyn Museum of Art, Exit Art, PS1 Museum, the Walker Art Center, and Cooper Union.**

She currently has a year-long residency with the **New York City Mayor's Office of Sustainability.**

Timeline

Fabrication	Present - August 2021
Installation	9/8/21 - 9/21/21
Performance	9/22/21 - 10/22/21
Deinstallation + Site Remediation	10/23/21 - 10/29/21

Location - Boston Common



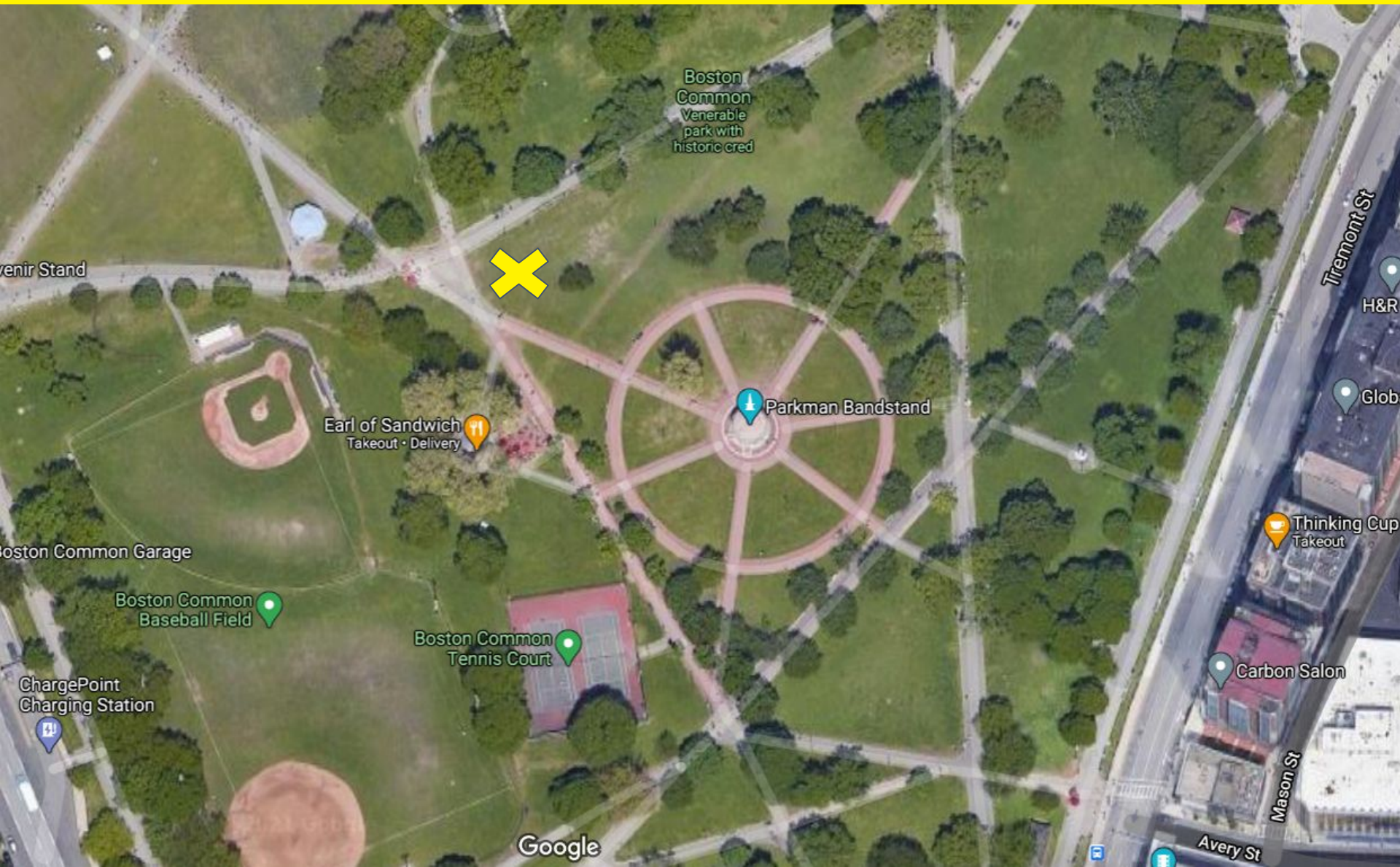
Exhibition Components

- (1) x Handcrafted Wood Cabinet with 204 doors and bookshelves
- Free books on the subject of the “commons.” Books will include titles in languages other than English, as well as braille and audiobooks.
- (200) Blue illuminated wood boxes initially stored inside the Wood Cabinet and gradually installed in all the selected locations in the Common as part of the durational performance. Each box has a unique question on it about the responsibility for public resources, such as water, air, language, and animals.
- (30 day) performance of trained staff installing and maintaining these boxes on previously prepared mounting hardware and handing out books on request. Staff can engage with willing park visitors on the subject of what they may have in common with each other.
- (2) x Blue wheelbarrows and hand tools to mount the boxes
- (2) x Staked descriptive signage

Cabinet details



Cabinet Location



Cabinet Location



Staked signage

Staked signage

Internal LED Lighting



LED lighting will be placed inside the cabinet to create a glowing effect around the box edges. Single color, 12v LED light strips will be secured with adhesive backing.

[Link for Lights](#)

In addition to the lights a Dimmable LED power supply will be connected to control the lights.

[Link for Power Supply](#)

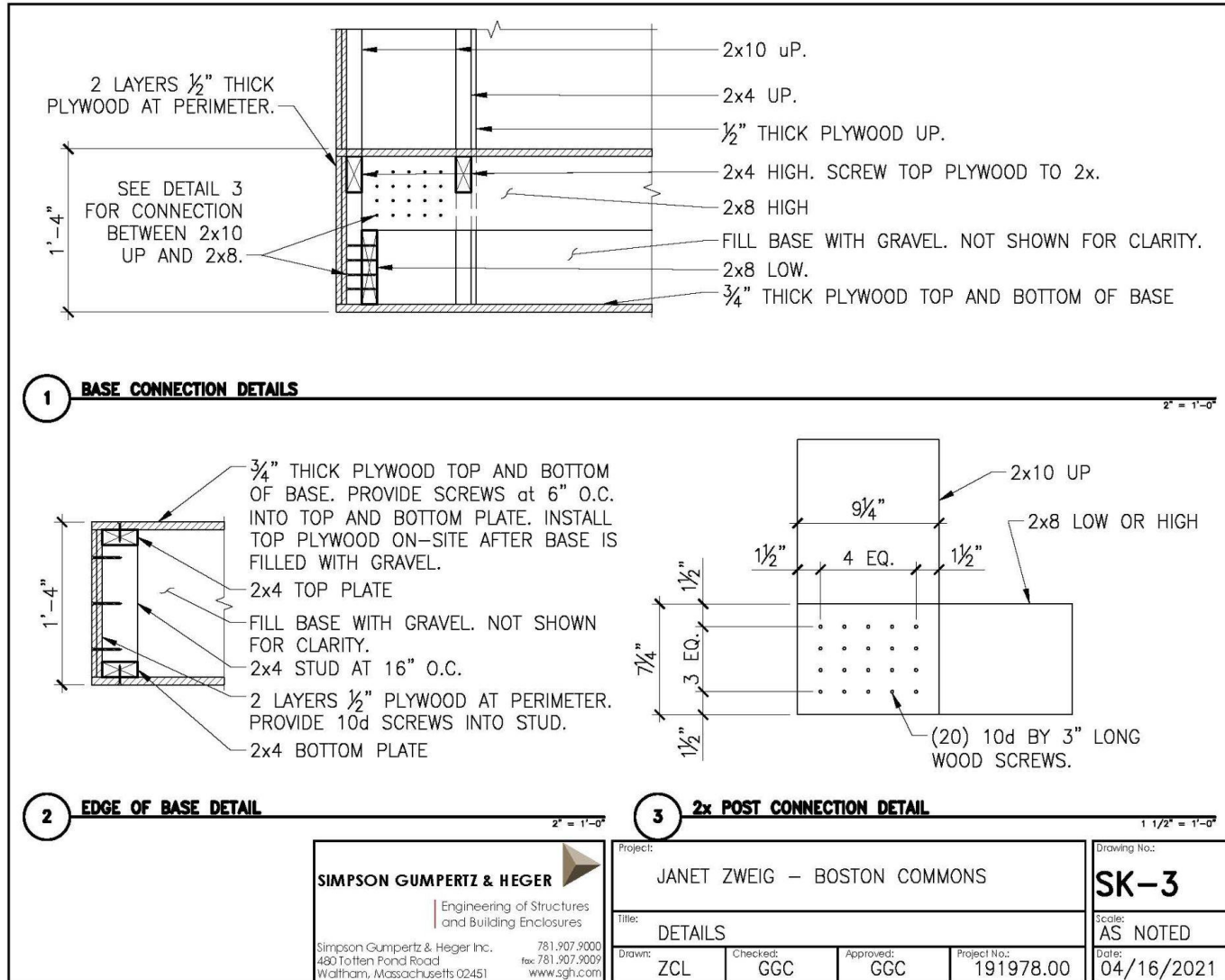
The cabinet will also be equipped with two Yeti 1000 Lithium Portable Power Stations to power the lights when the street light is off.

[Link for Battery](#)

Michael Donaghy from Boston Street Lighting has met with us for a site survey and approved our request to use the location's light pole as a source of power. The cabinet will be placed next to the pole and the cable will be trenched. He will issue a formal letter of approval upon request.

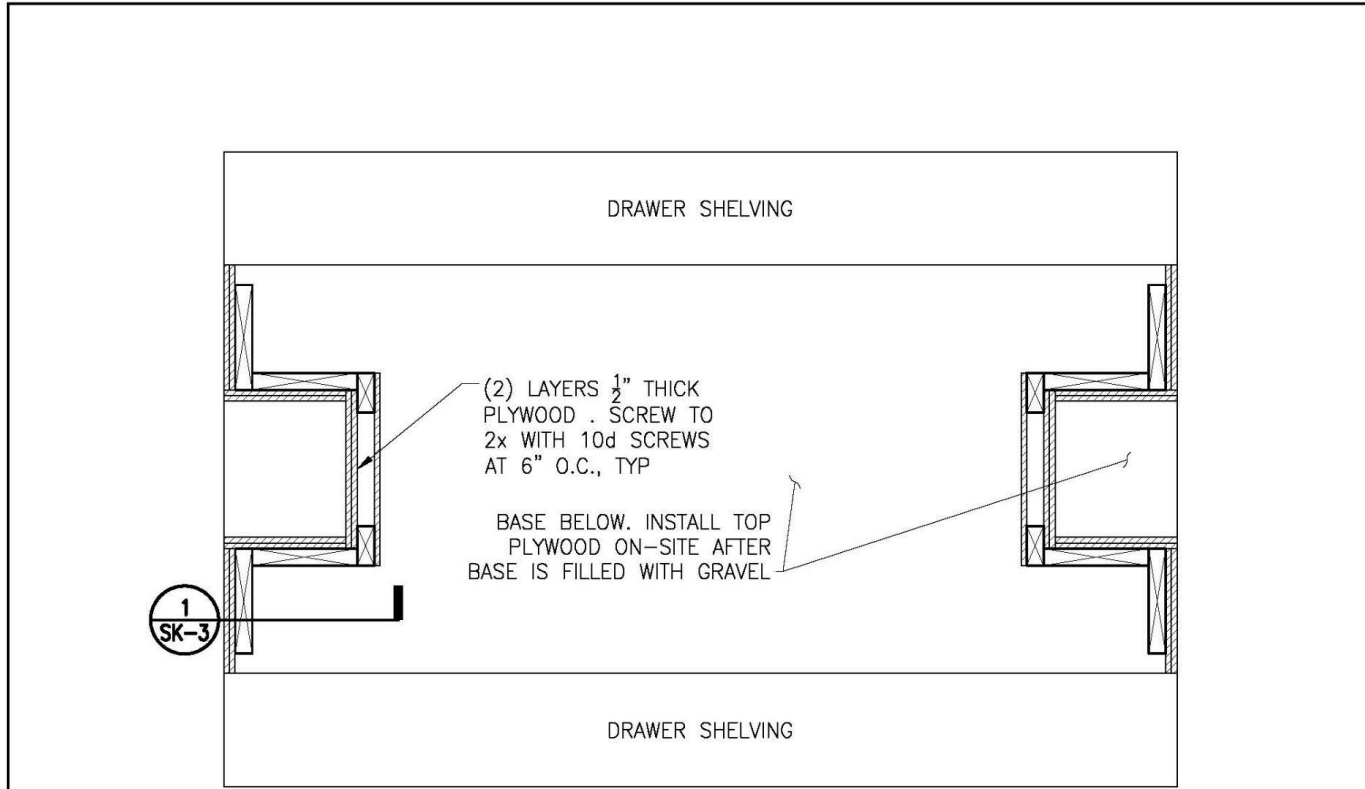
Engineering Drawings

Cabinet Base



Engineering Drawings

Cabinet Base



JANET ZWEIG – ELEVATED PLAN

1" = 1'-0"

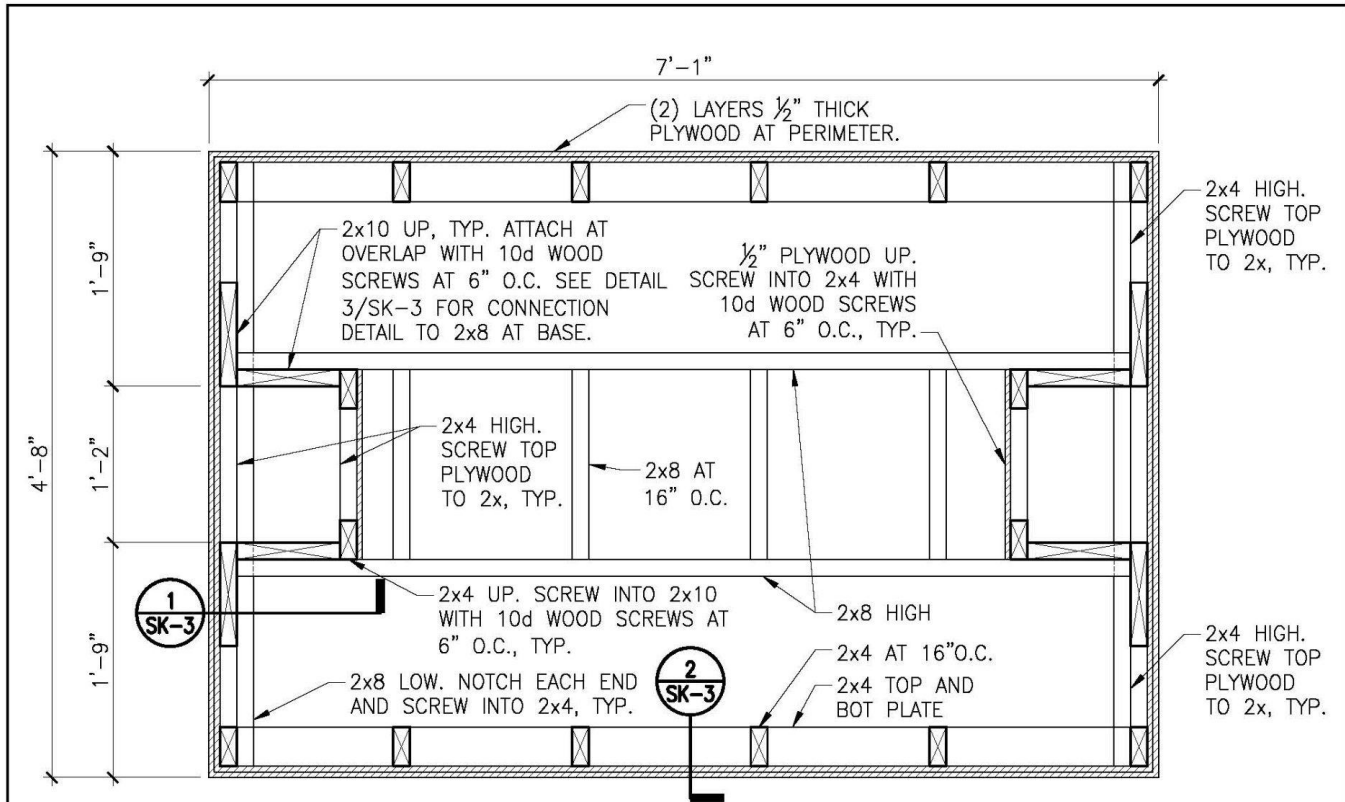
SIMPSON GUMPERTZ & HEGER
 Engineering of Structures
 and Building Enclosures
 Simpson Gumpertz & Heger Inc. 781.907.9000
 480 Totten Pond Road fax: 781.907.9009
 Waltham, Massachusetts 02451 www.sgh.com

Project: JANET ZWEIG – BOSTON COMMONS			
Title: ELEVATED PLAN			
Drawn: ZCL	Checked: GGC	Approved: GGC	Project No.: 191978.00

Drawing No.: SK-2
Scale: AS NOTED
Date: 04/16/2021

Engineering Drawings

Cabinet Base



JANET ZWEIG - BASE PLAN

1" = 1'-0"

SIMPSON GUMPERTZ & HEGER
 Engineering of Structures
 and Building Enclosures

Simpson Gumpertz & Heger Inc. 781.907.9000
 480 Totten Pond Road fax: 781.907.9009
 Waltham, Massachusetts 02451 www.sgh.com

Project: JANET ZWEIG - BOSTON COMMONS

Title: BASE PLAN

Drawn: ZCL Checked: GGC Approved: GGC Project No.: 191978.00

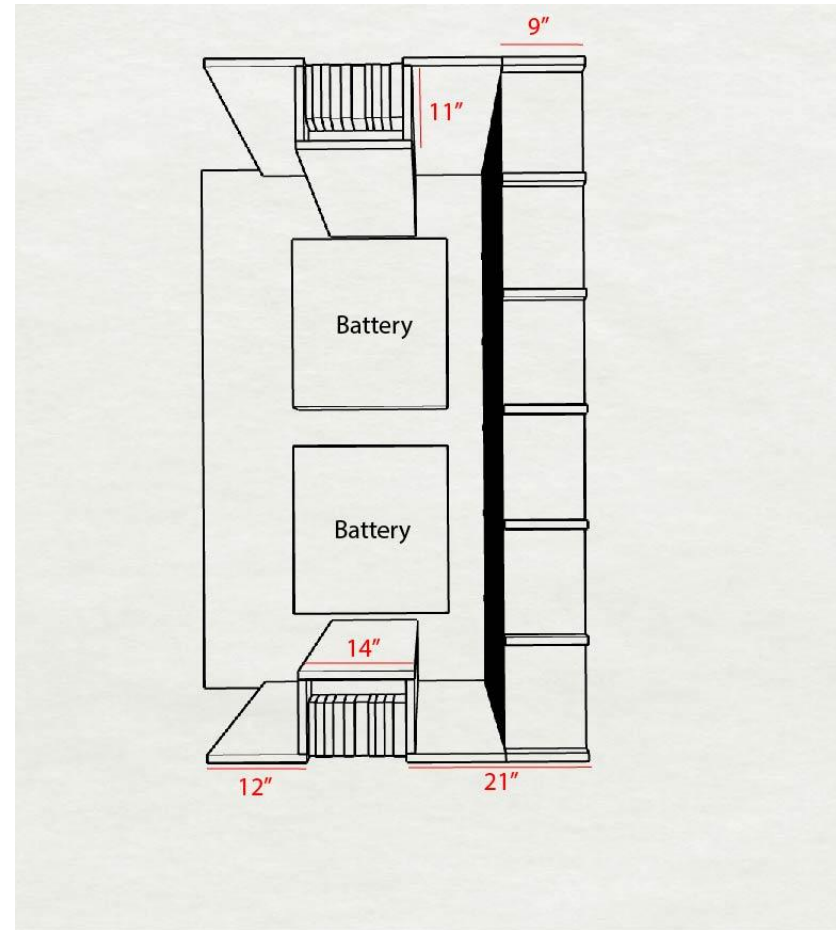
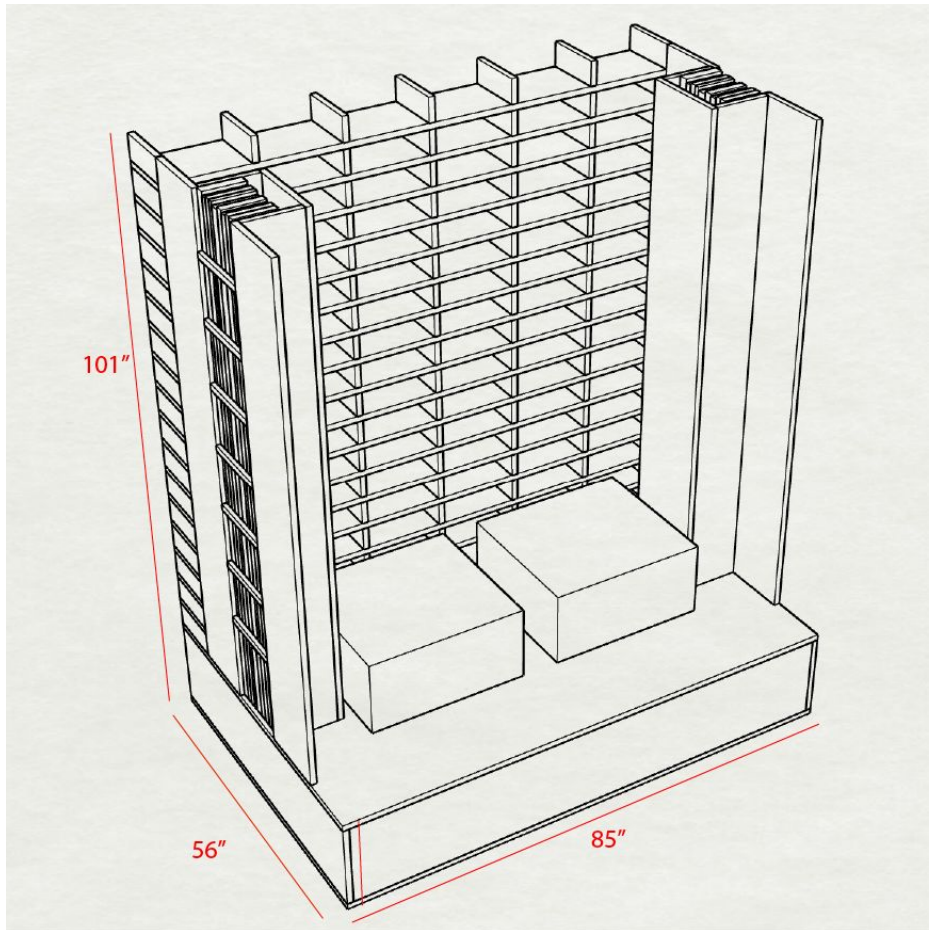
Drawing No.: **SK-1**

Scale: AS NOTED

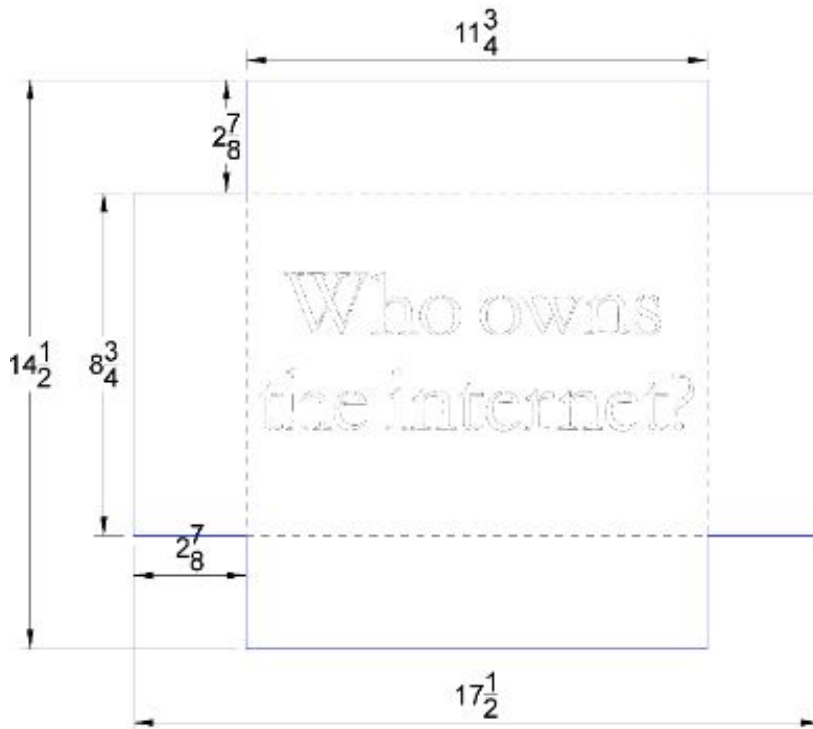
Date: 04/16/2021

Engineering Drawings

Cabinet



Box - Details



- 200 Individual boxes fabricated in two pieces, a top and bottom that fit together
- Box pieces are attached with self drilling screws.
- Made from wood, metal, and acrylic.
- Wood is stained and finished with boat sealant to prevent rot.
- Internal components
 - ws2812b LEDs
 - 21000mah Anker Battery
 - arduino trinket m0
 - AA batteries / AA battery holder
 - velcro



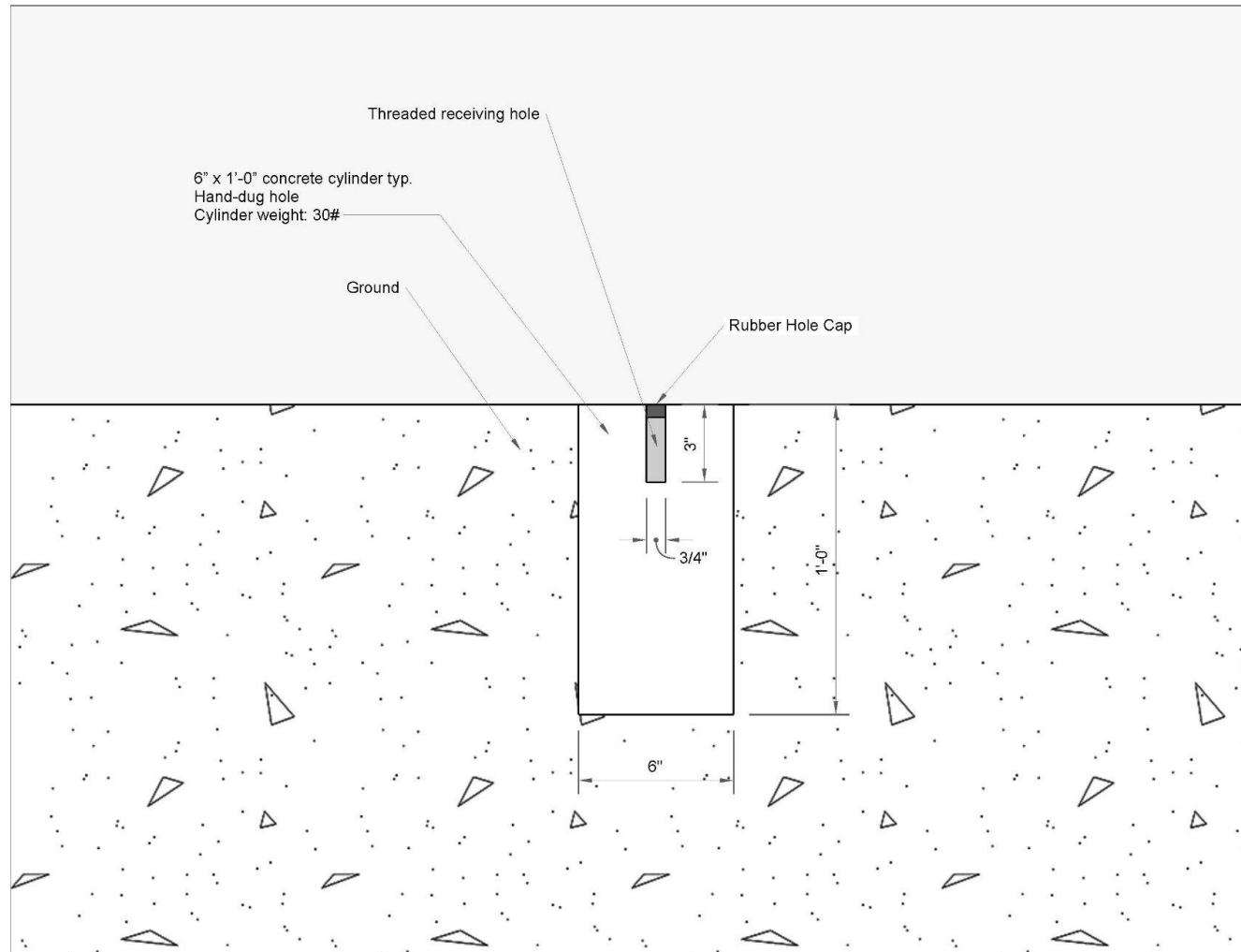
Questions on the Boxes

There are 166 questions total. 34 of them will be translated into other languages representing those most spoken in Boston besides English. Together, they will form a total of 200 boxes.

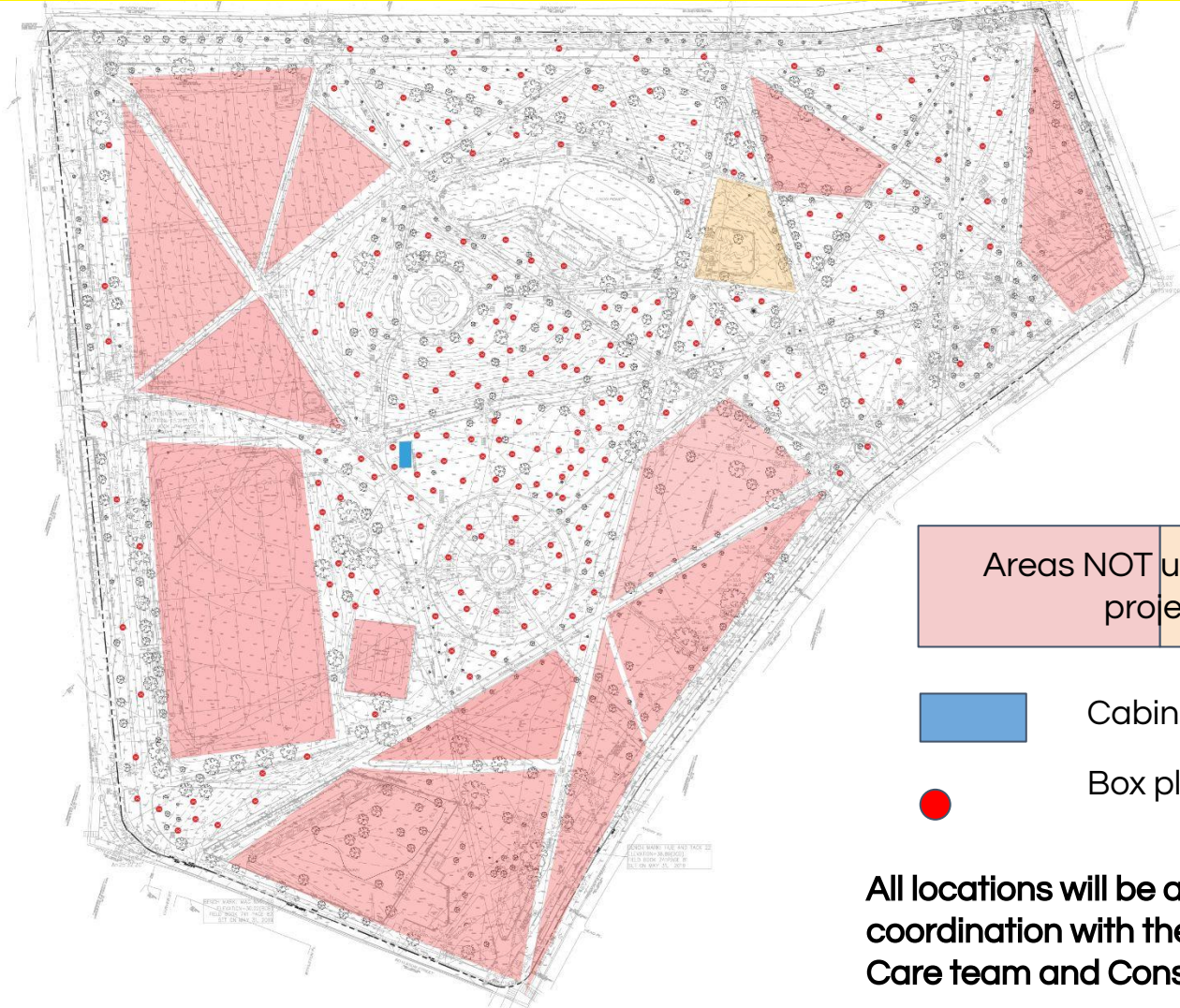
Full list of questions available upon request.

Engineering Drawings

Ground Cylinders



Box placement site map



Performance - Public Interactions

From September 22nd - October 22nd, trained staff will be on-site every day. Their daily duties will include:

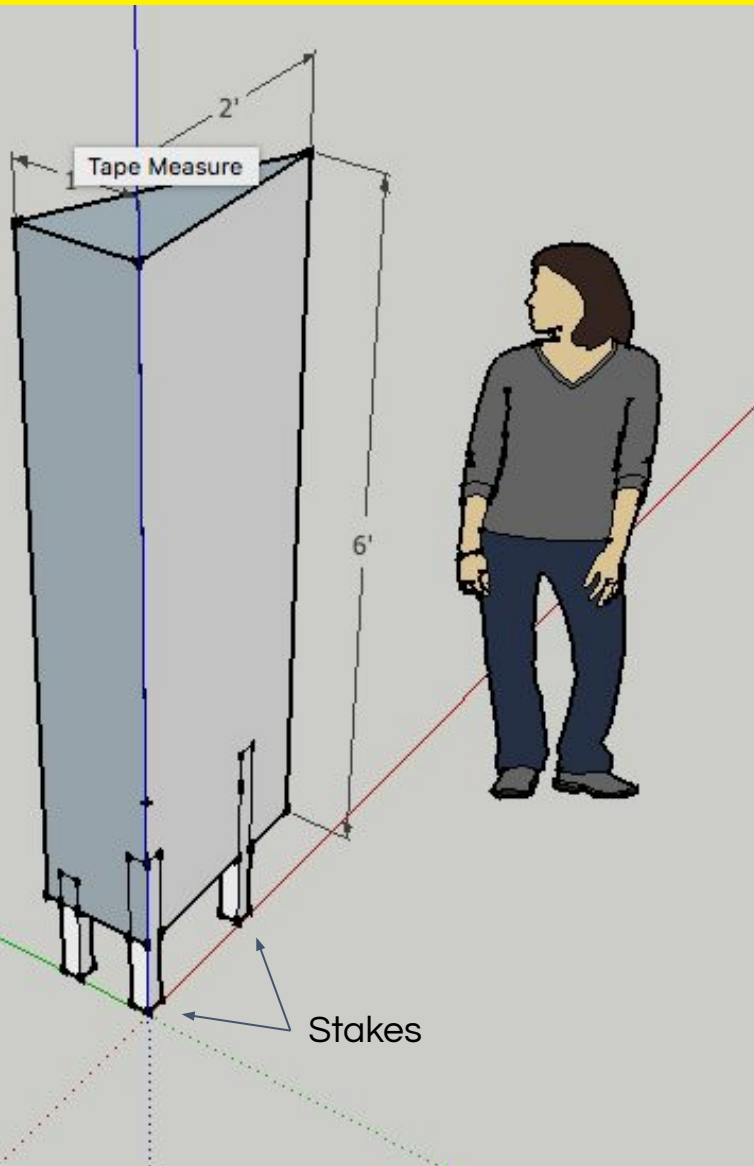
- 1) Installing 8 new boxes every day on days 1-25
- 2) Changing the batteries in already mounted boxes once every 5 days
- 3) Per request, handing out the books from the locked shelves
- 4) Per request, engaging with members of the public on the topics of “the commons”
- 5) Per request, sharing the general information about the project and the stakeholders

Performance - Technical Info

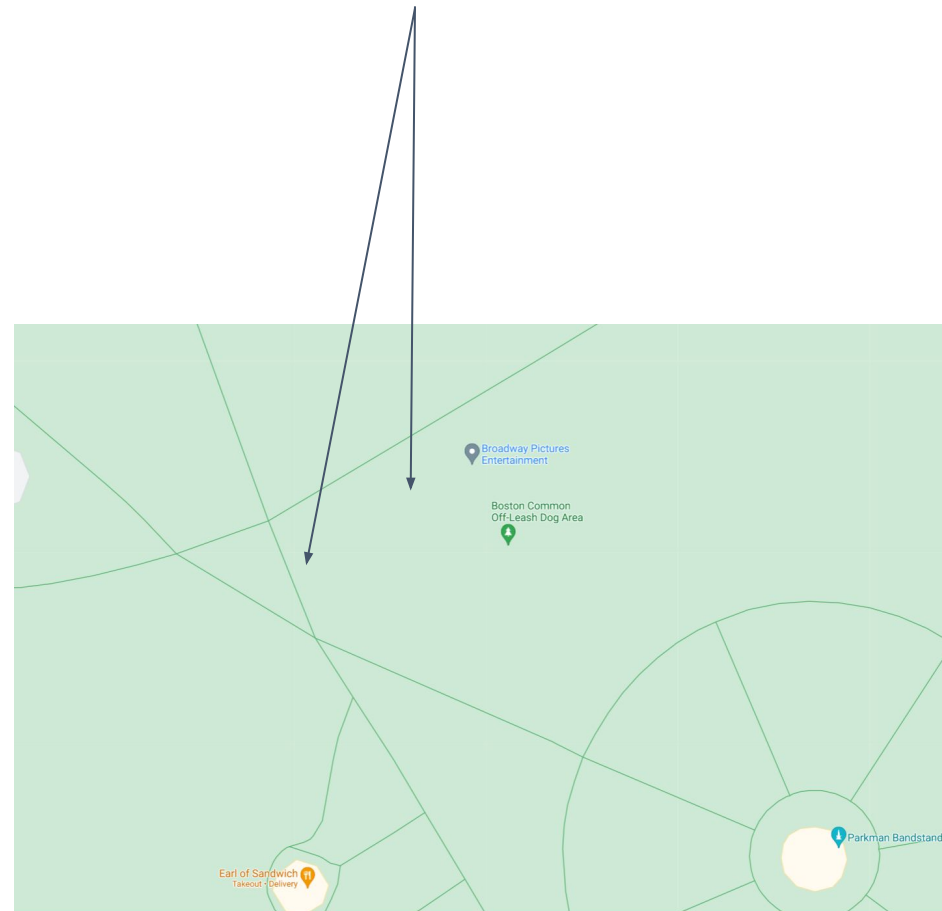
- Hours of operation:
10 am - 8 pm
- Up to 6 staff members would be present every day
- Staff would be identified by branded overalls
- In case of rain, the work would be performed the next day.



Interpretive Signage



2 staked signs placed in proximity to the cabinet



Installation Plan

Cabinet

The cabinet will be transported to the Common in sections where it will be assembled onsite.

The base will be assembled first and gravel will be delivered in an f550 truck then shoveled into a wheelbarrow and dumped into the base. The base will have landscaping fabric underneath to help preserve the grass.

The cabinet will be assembled on top of the base. A single extension cable will be trenched from the cabinet to the light pole and will be run up the pole using zip ties to secure and the cable as well as place the cable inside electrical conduit to prevent access.

In ground Cylinders

A manual post hole digger will be used to insert the concrete cylinder into the ground which will allow the install team to identify any underground roots or infrastructure to avoid.

Cylinders will be flush to the ground and a plug will be inserted in each. Excess dirt will be stored on site to use to backfill holes after installation. Cylinders will take 4 days to install.

Boxes

Boxes will be installed over the 30 days on a predetermined schedule. Boxes will be removed from the cabinet and wheelbarrowed to the cylinder locations. The plug will be removed from the cylinder to expose the threaded cylinder and the box will be attached by the base to the cylinder. The top of the box will fit over the base and will be secured with self drilling screws.

Maintenance

Boston Parks Department will suspend mowing in areas activated by the project for the duration of the term.

Cambridge Landscaping is confirmed to provide park maintenance during the installation, term, and site remediation stages.

Site Remediation Plan

Boxes will be detached from the in-ground cylinders and cylinders will be pulled out of earth. The saved dirt from install will be backfilled into the holes and grass seed planted. Cylinders will take 4 days to remove.

The cabinet will be deconstructed and removed from site in a van. The gravel in the base will be shoveled out and loaded into a f550 truck. The base will be disassembled onsite and removed. Grass seed will be planted over the base site.

Insurance - Provisional Copy

ACORD **CERTIFICATE OF LIABILITY INSURANCE** DATE (MM/DD/YYYY)
02/25/2021

THIS CERTIFICATE IS ISSUED AS A MATTER OF INFORMATION ONLY AND CONFERS NO RIGHTS UPON THE CERTIFICATE HOLDER. THIS CERTIFICATE DOES NOT AFFIRMATIVELY OR NEGATIVELY AMEND, EXTEND OR ALTER THE COVERAGE AFFORDED BY THE POLICIES BELOW. THIS CERTIFICATE OF INSURANCE DOES NOT CONSTITUTE A CONTRACT BETWEEN THE ISSUING INSURER(S), AUTHORIZED REPRESENTATIVE OR PRODUCER, AND THE CERTIFICATE HOLDER.

IMPORTANT: If the certificate holder is an ADDITIONAL INSURED, the policy(ies) must have ADDITIONAL INSURED provisions or be endorsed. If SUBROGATION IS WAIVED, subject to the terms and conditions of the policy, certain policies may require an endorsement. A statement on this certificate does not confer rights to the certificate holder in lieu of such endorsements(s).

PRODUCER Cleary Insurance Inc 226 Causeway Street Boston MA 02114-2155	CONTACT NAME: Harriet Hoffmann PHONE (A/C, No. Ext.): (617) 723-0700 FAX (A/C, No.): (617) 723-7275 EMAIL ADDRESS: hhoffmann@clearyinsurance.com INSURER(S) AFFORDING COVERAGE INSURER A: Philadelphia Indemnity Insurance Co. NAIC #: 18058 INSURER B: Wesco Insurance Company 25011 INSURER C: INSURER D: INSURER E: INSURER F:
--	---

INSURED
 Now and There, Inc.
 186 South Street
 Suite 302
 Boston MA 02111-2701

COVERAGES **CERTIFICATE NUMBER:** 2021-2022 Liability **REVISION NUMBER:**

THIS IS TO CERTIFY THAT THE POLICIES OF INSURANCE LISTED BELOW HAVE BEEN ISSUED TO THE INSURED NAMED ABOVE FOR THE POLICY PERIOD INDICATED. NOTWITHSTANDING ANY REQUIREMENT, TERM OR CONDITION OF ANY CONTRACT OR OTHER DOCUMENT WITH RESPECT TO WHICH THIS CERTIFICATE MAY BE ISSUED OR MAY PERTAIN, THE INSURANCE AFFORDED BY THE POLICIES DESCRIBED HEREIN IS SUBJECT TO ALL THE TERMS, EXCLUSIONS AND CONDITIONS OF SUCH POLICIES; LIMITS SHOWN MAY HAVE BEEN REDUCED BY PND CLAIMS.

INSR LTR	TYPE OF INSURANCE	ADDL INSD	SUBR WVD	POLICY NUMBER	POLICY EFF (MM/DD/YYYY)	POLICY EXP (MM/DD/YYYY)	LIMITS
A	<input checked="" type="checkbox"/> COMMERCIAL GENERAL LIABILITY <input type="checkbox"/> CLAIMS-MADE <input checked="" type="checkbox"/> OCCUR GEN'L AGGREGATE LIMIT APPLIES PER: <input checked="" type="checkbox"/> POLICY <input type="checkbox"/> PRO-JECT <input type="checkbox"/> LOC <input type="checkbox"/> OTHER			PHPK2227428	01/15/2021	01/15/2022	EACH OCCURRENCE \$ 1,000,000
							DAMAGE TO RENTED PREMISES (Ea occurrence) \$ 1,000,000
							MED EXP (Any one person) \$ 20,000
							PERSONAL & ADV INJURY \$ 1,000,000
							GENERAL AGGREGATE \$ 2,000,000
							PRODUCTS - COMP/POP AGG \$ 2,000,000
							Cyber Liability \$ 25,000
A	AUTOMOBILE LIABILITY <input type="checkbox"/> ANY AUTO <input type="checkbox"/> OWNED AUTOS ONLY <input checked="" type="checkbox"/> SCHEDULED AUTOS NON-OWNED AUTOS ONLY <input checked="" type="checkbox"/> HIRED AUTOS ONLY			PHPK2227426	01/15/2021	01/15/2022	COMBINED SINGLE LIMIT (Ea accident) \$ 1,000,000
							BODILY INJURY (Per person) \$
							BODILY INJURY (Per accident) \$
							PROPERTY DAMAGE (Per accident) \$
							\$
A	<input checked="" type="checkbox"/> UMBRELLA LIAB <input checked="" type="checkbox"/> OCCUR EXCESS LIAB <input type="checkbox"/> CLAIMS-MADE DED: <input checked="" type="checkbox"/> RETENTION \$ 10,000			PHUB753416	01/15/2021	01/15/2022	EACH OCCURRENCE \$ 2,000,000
							AGGREGATE \$ 2,000,000
							\$
B	WORKERS COMPENSATION AND EMPLOYERS' LIABILITY ANY PROPRIETOR/PARTNER/EXECUTIVE OFFICER/MEMBER EXCLUDED? (Mandatory in NH) (If yes, describe under DESCRIPTION OF OPERATIONS below)	Y/N	N/A	WVWC3512863	01/22/2021	01/22/2022	<input checked="" type="checkbox"/> PER STATUTE <input type="checkbox"/> OTHER \$ 1,000,000
							E.L. EACH ACCIDENT \$ 1,000,000
							E.L. DISEASE - EA EMPLOYEE \$ 1,000,000
							E.L. DISEASE - POLICY LIMIT \$ 1,000,000

DESCRIPTION OF OPERATIONS / LOCATIONS / VEHICLES (ACORD 101, Additional Remarks Schedule, may be attached if more space is required)

CERTIFICATE HOLDER	CANCELLATION
FILE	SHOULD ANY OF THE ABOVE DESCRIBED POLICIES BE CANCELLED BEFORE THE EXPIRATION DATE THEREOF, NOTICE WILL BE DELIVERED IN ACCORDANCE WITH THE POLICY PROVISIONS. AUTHORIZED REPRESENTATIVE Harriet Hoffmann

Thank you!

Polina Starobinets

Project Manager

Now + There, Inc.

617-596-7973

polina@nowandthere.org

Jane Long

Production Manager

BRM Production Management

541-543-4422

jane@brmpm.com