
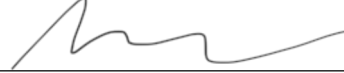


REQUIRED DOCUMENTATION: Please include all required documentation with this application; review instructions carefully for details.

ESTIMATED COST OF PROPOSED WORK: \$ 50,000 _____

IV. DULY AUTHORIZED SIGNATURES (both required)

The facts set forth above in this application and accompanying documents are a true statement made under penalty of perjury.

APPLICANT  OWNER* 
 *(If building is a condominium or cooperative, the chairman must sign.)

PRINT Garrett Goodridge (Hickox Williams Architects) PRINT Sarah Mars (88 Pinckney Street)

Environment Department personnel cannot be responsible for verifying the authority of the above individuals to sign this application. Misrepresentation of signatory authority may result in the invalidation of the application.

UNSIGNED OR PARTIALLY SIGNED FORMS WILL BE REJECTED

THIS APPLICATION IS NOT COMPLETE WITHOUT SIGNATURES, FEES AND REQUIRED DOCUMENTATION.

The checklist below is for reference only: Please refer to the detailed application instructions for deadlines, fee schedule and required documentation specific to your proposal.

- COMPLETED APPLICATION FORM
- APPLICATION FEE (Check or money order made payable to City of Boston; see fee schedule in Instructions)
- DESCRIPTION OF WORK (A brief description must be included on the front page; additional pages of detailed information may be attached. **Applications that only note "see attached" will not be accepted.**)
- PHOTOS OF EXISTING CONDITIONS
- DRAWINGS AND SPECIFICATIONS AS REQUIRED (See "documentation requirements" in instructions)

For more information, visit the website at: www.cityofboston.gov/landmarks

Or contact the Environment Department at (617-635-3850) or at Boston City Hall, Room 709, Boston, MA 02201



When the architect writes:

"T.M.E."

(To Match Existing)
on the plans,

**How do
meet the spec.
???**

**PRESENTS:
The
T.M.E. SERIES**

of Windows and
Doors.

It's not just a
product,

**It's a
program.**



**We Now Offer:
-On Site Consulting**



-Shop Drawings

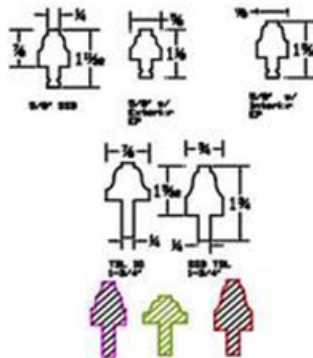
**-Wide Variety of Glazing
Options**

Restoration Glass and Decorative Glass
Insulated
Warm Edge spacer
Low "E"
Putty Glazed or Wood Stops

**-Diverse Species
selection**

Mahogany
Sepele
Spanish Cedar
Western Red Cedar
Northeastern White Pine
Others by Request

**-Unlimited Profile
options**



- All the Balance Options

Weight and Chain
Concealed Balance
Block and Tackle
Extruded Jamb Liner

-Finish Options

Fine Paints of Europe

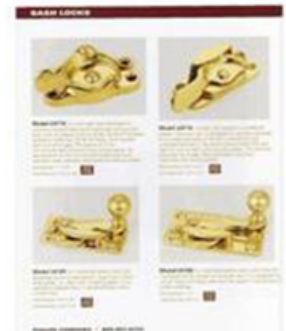
Factory Prime
Exterior Finishes

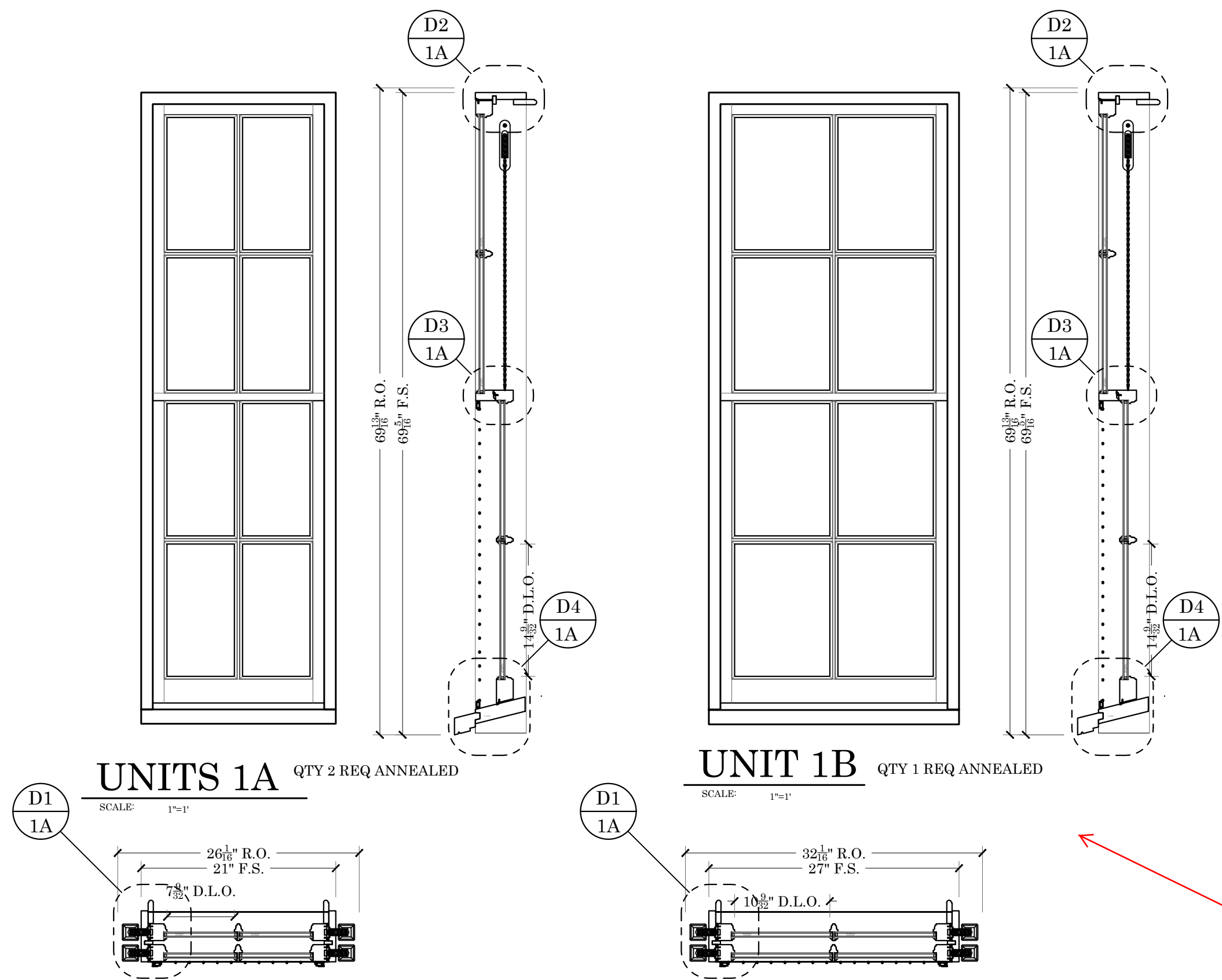
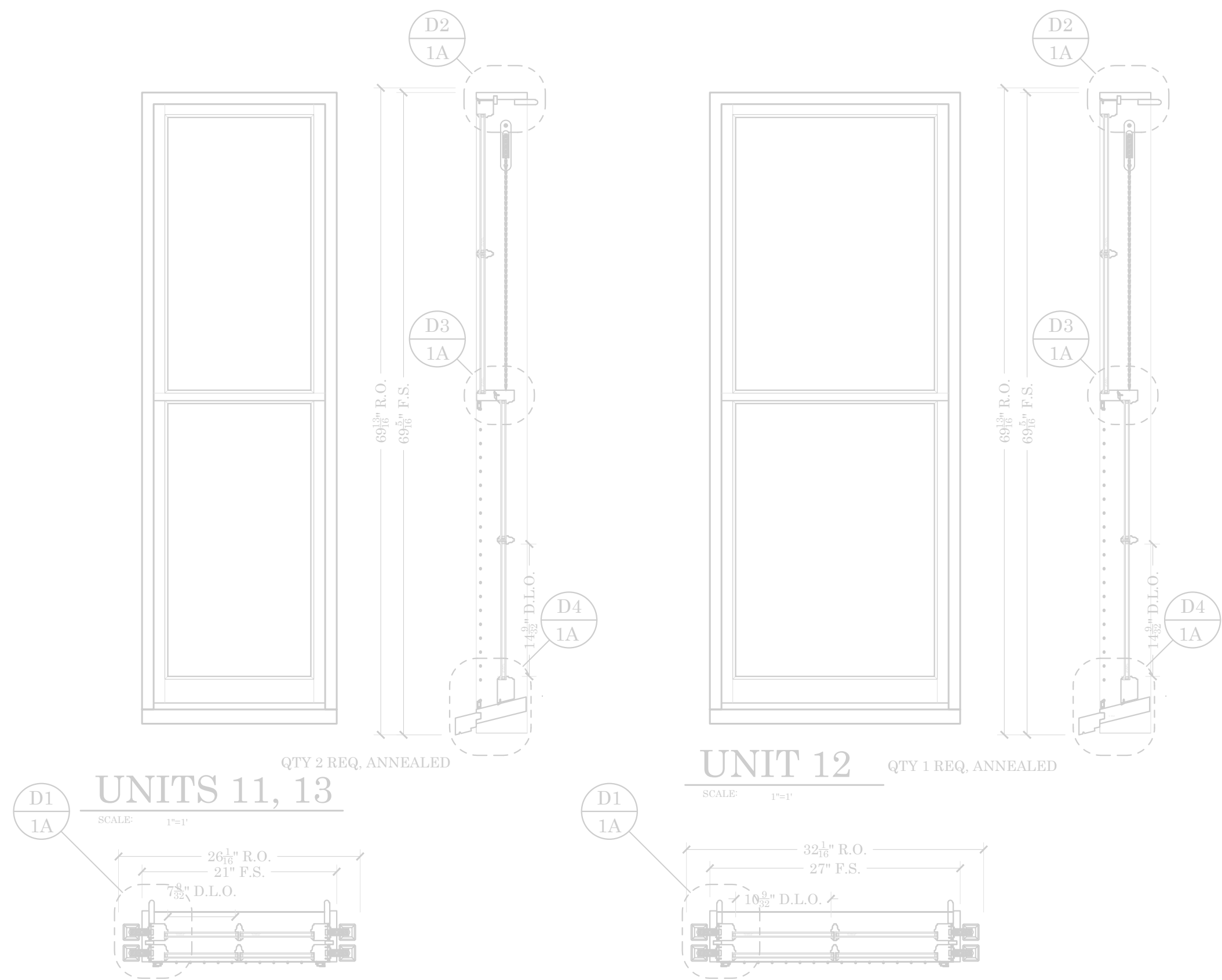
-Hardware Options

Solid Brass
Stainless Steel
Bronze

Hardware finishes:

Bright Brass
Oil Rubbed Bronze
Satin Nickel





GENERAL NOTES

UNITS 11-13 AND UNITS 1A AND 1B ARE TRIPLE MULLS TO BE MULLED IN THE FIELD. SHIP WITH TWO 1/2" SILL NOSING CONNECTORS

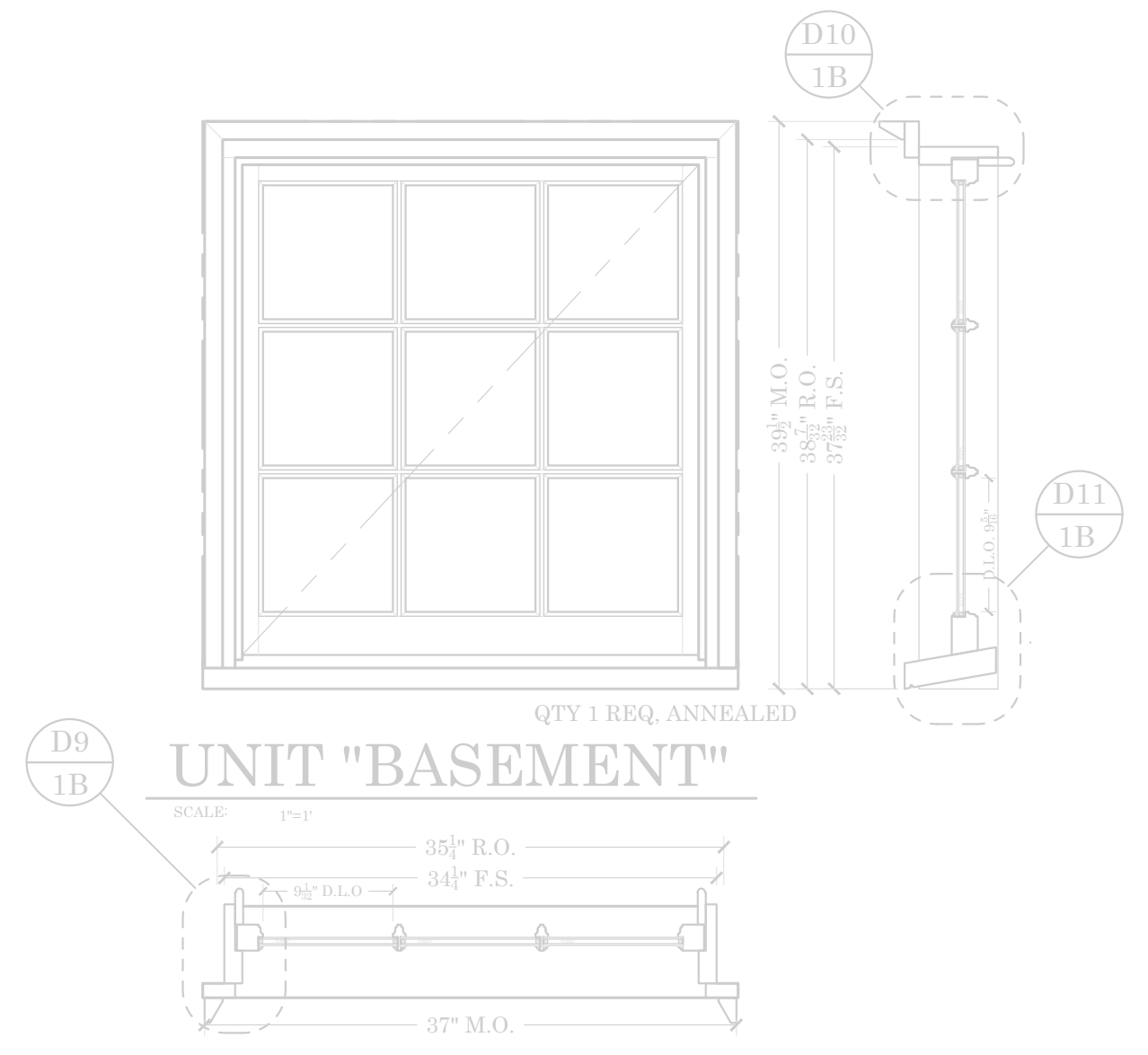
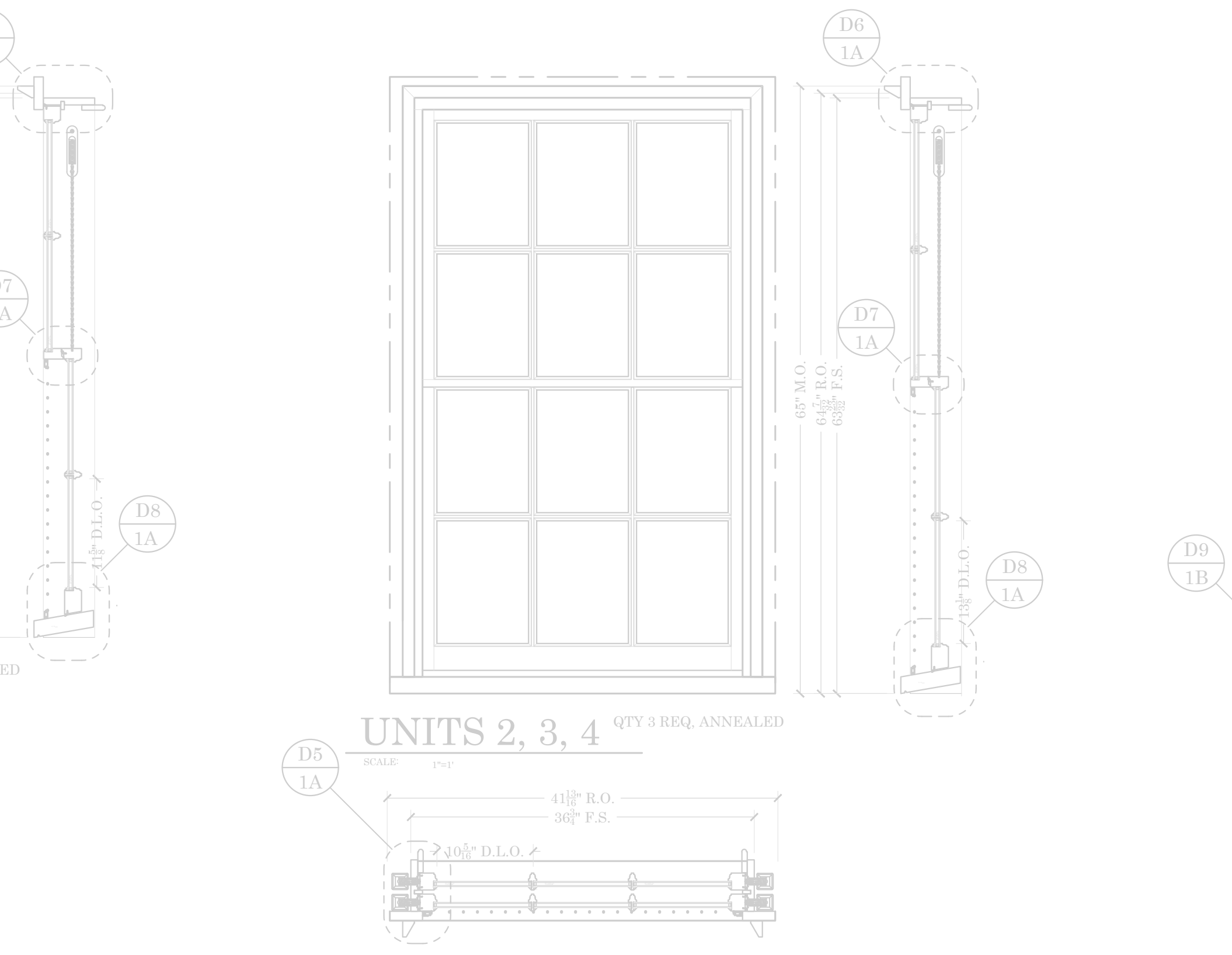
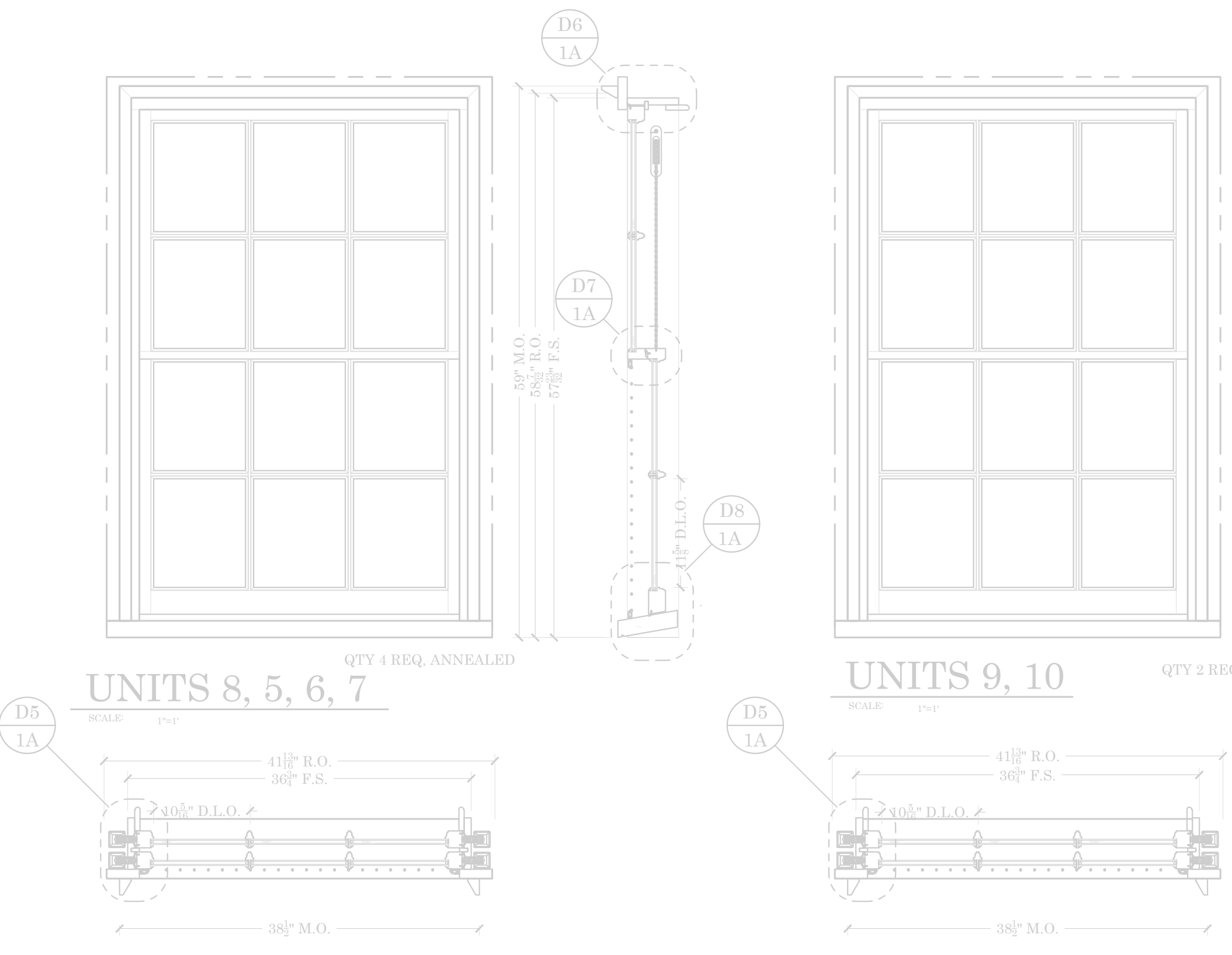
GLASS SCHEDULE

UNITS	EXTERIOR	SPACER THICKNESS	INTERIOR	GRID & SPACER COLOR	HEAT TREATMENT
UNITS 9, 10	1/8" LOW E	5/16"	1/8" CLEAR	BLACK	TEMPERED
ALL OTHER UNITS	1/8" LOW E	5/16"	1/8" CLEAR	BLACK	ANNEALED

MATERIAL AND FINISH SCHEDULE

PART OR ASSEMBLY	MATERIAL	FINISH
FRAME	UTILE	(PRIME ONLY) WHITE INTERIOR & EXTERIOR
SASH	UTILE	(PRIME ONLY) WHITE INTERIOR & EXTERIOR
SILL	ALASKAN YELLOW CEDAR	(PRIME ONLY) WHITE
CASING	ALASKAN YELLOW CEDAR	(PRIME ONLY) WHITE
BRICKMOLD	ALASKAN YELLOW CEDAR	(PRIME ONLY) WHITE
INTERIOR STOPS	PINE OR OTHER	(PRIME ONLY) WHITE
SCREENS	ALUMINUM	BLACK
SCREEN MATERIAL	FIBERGLASS	N/A

UNITS 1A (QTY 2) & UNIT 1B (QTY 1) PERTAIN TO THIS SUBMISSION FOR THE FRONT FACADE AT 88 PINKNEY STREET. OTHER UNITS (GRAYED OUT) NOT IN SCOPE - PREVIOUSLY REVIEWED ON 7/15/2021.



SIGN OFF NOTES

ALL SHOP DRAWINGS MUST BE SIGNED OFF WITHOUT ANY CORRECTIONS FOR PRODUCTION TO BEGIN
IF YOU REQUIRE CHANGES PLEASE MARKUP DRAWINGS & RESUBMIT TO ENGINEERING@BOSTONSASH.COM

APPROVED FOR MANUFACTURING

DEALER	DATE
CONTRACTOR	DATE
ARCHITECT	DATE

BOSTON SASH & MILLWORK

667 SPRING STREET
NORTH DIGHTON, MA 02764
PHONE # (508) 880-8808
WWW.BOSTONSASH.COM

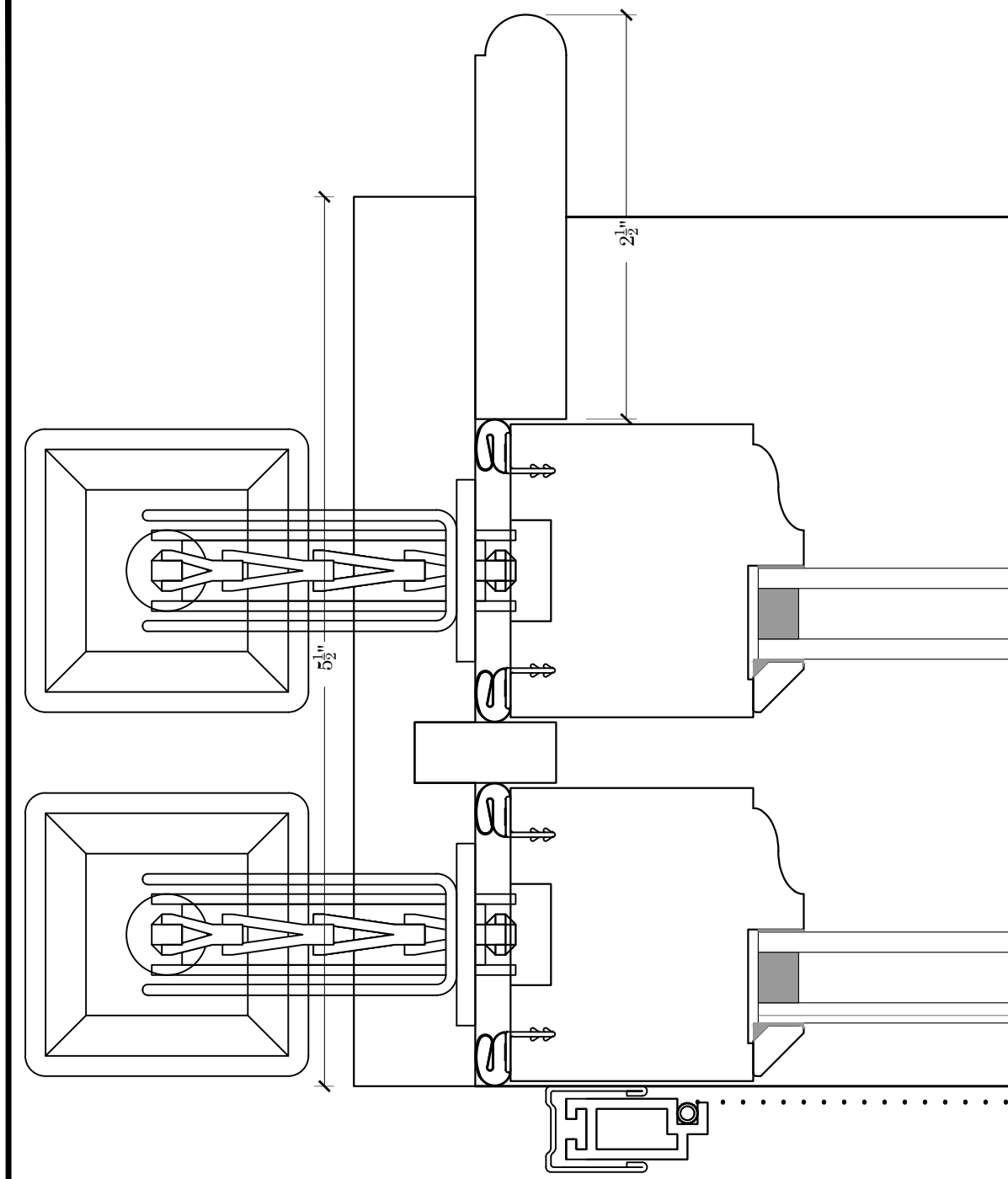
HARDWARE

15	UNLAQ BRASS SASH LOCK
60	UNLAQ BRASS PULLEYS
-	LEAD SASH WEIGHTS

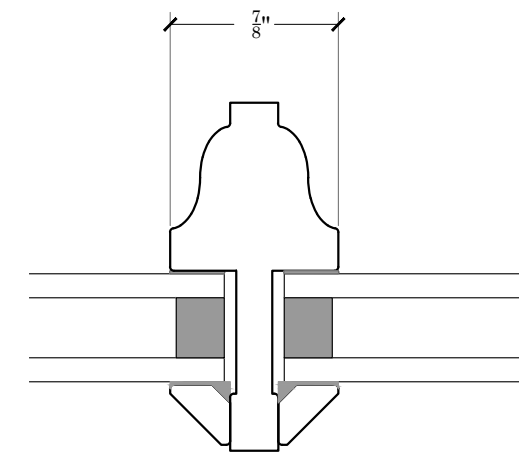
SUB./REVISION

Δ	-	-
-	-	-
-	-	-
-	-	-
-	-	-
-	-	-

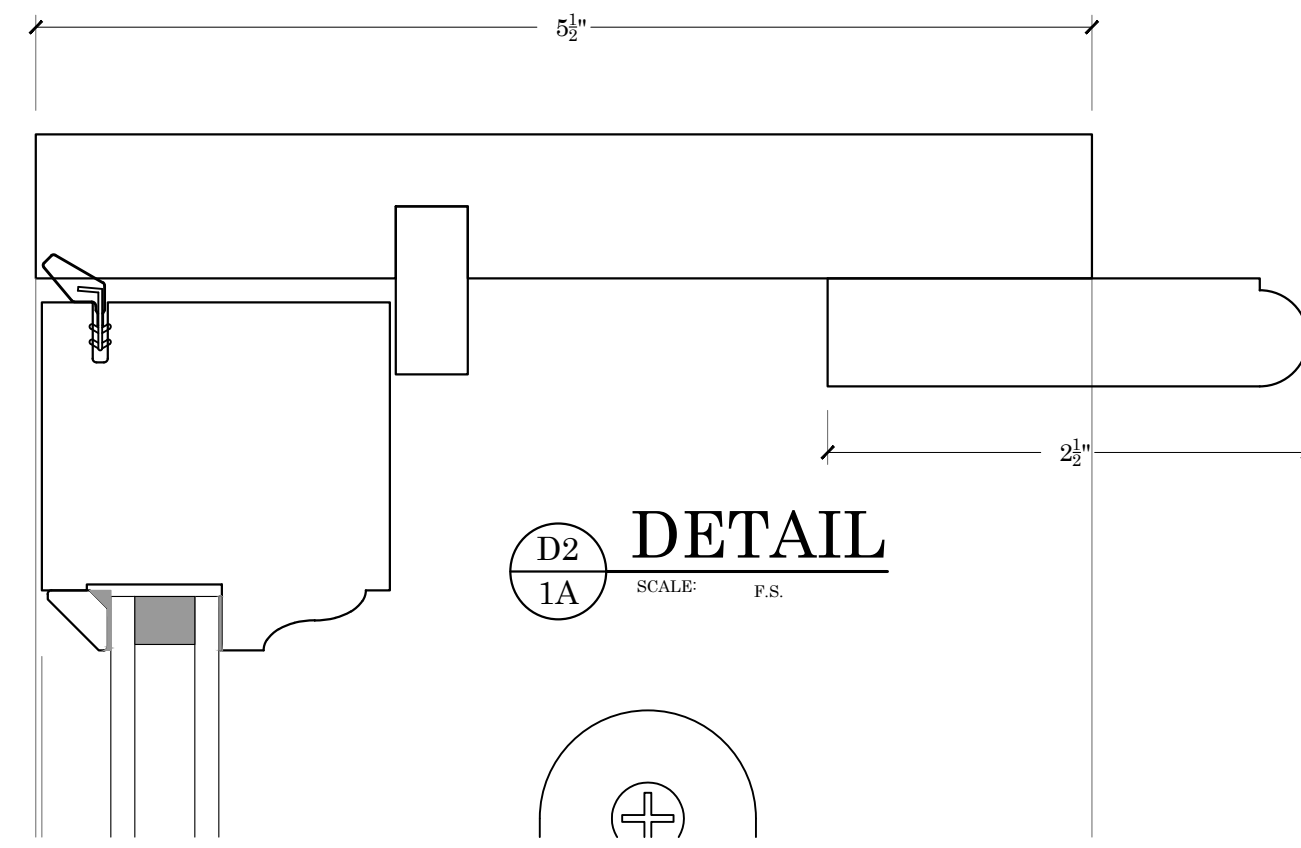
JOB: 88 PINKNEY ST	
DESCRIPTION: BEACON HILL FULL W/C	
DEALER: MACLEOD AND MOYNIHAN	
DEALER CONTACT: THOMAS MAHONEY	
DRAWN BY: DYLAN RAIMONDI	
DRAWING NUMBER: 21-524-D17	
JOB NUMBER: -	
CUSTOMER P.O. # 37465 TM	DWG. NO. 1
DATE: 7/26/21	
SCALE: NOTED	



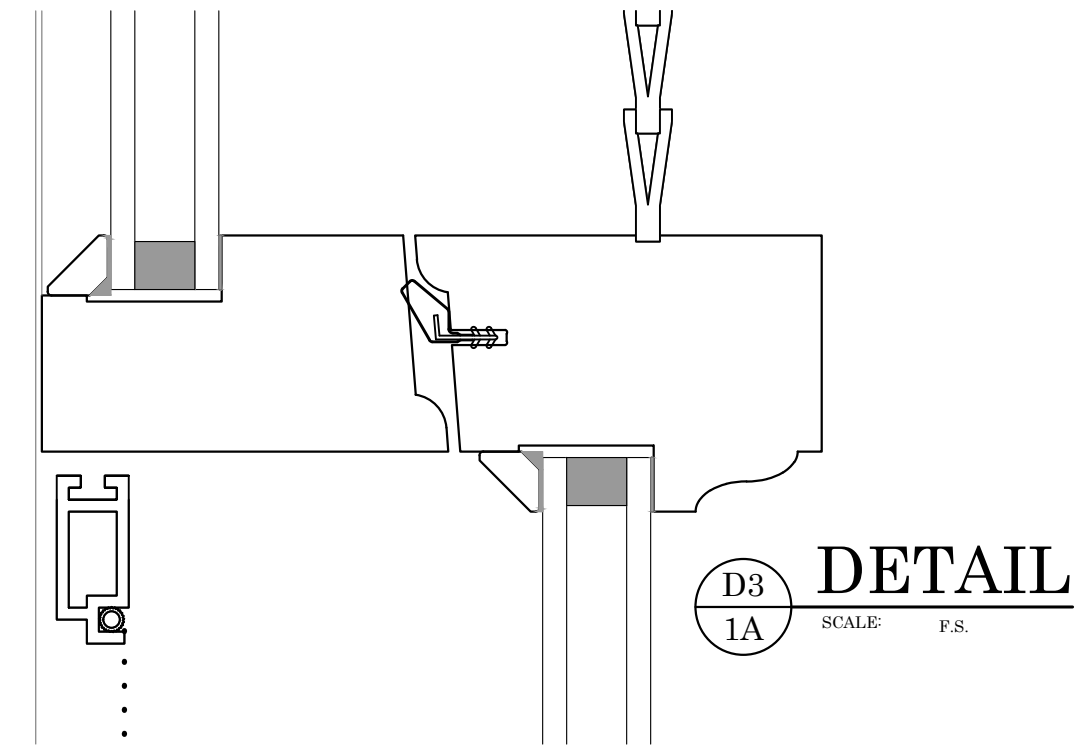
D1
1A
SCALE: F.S.



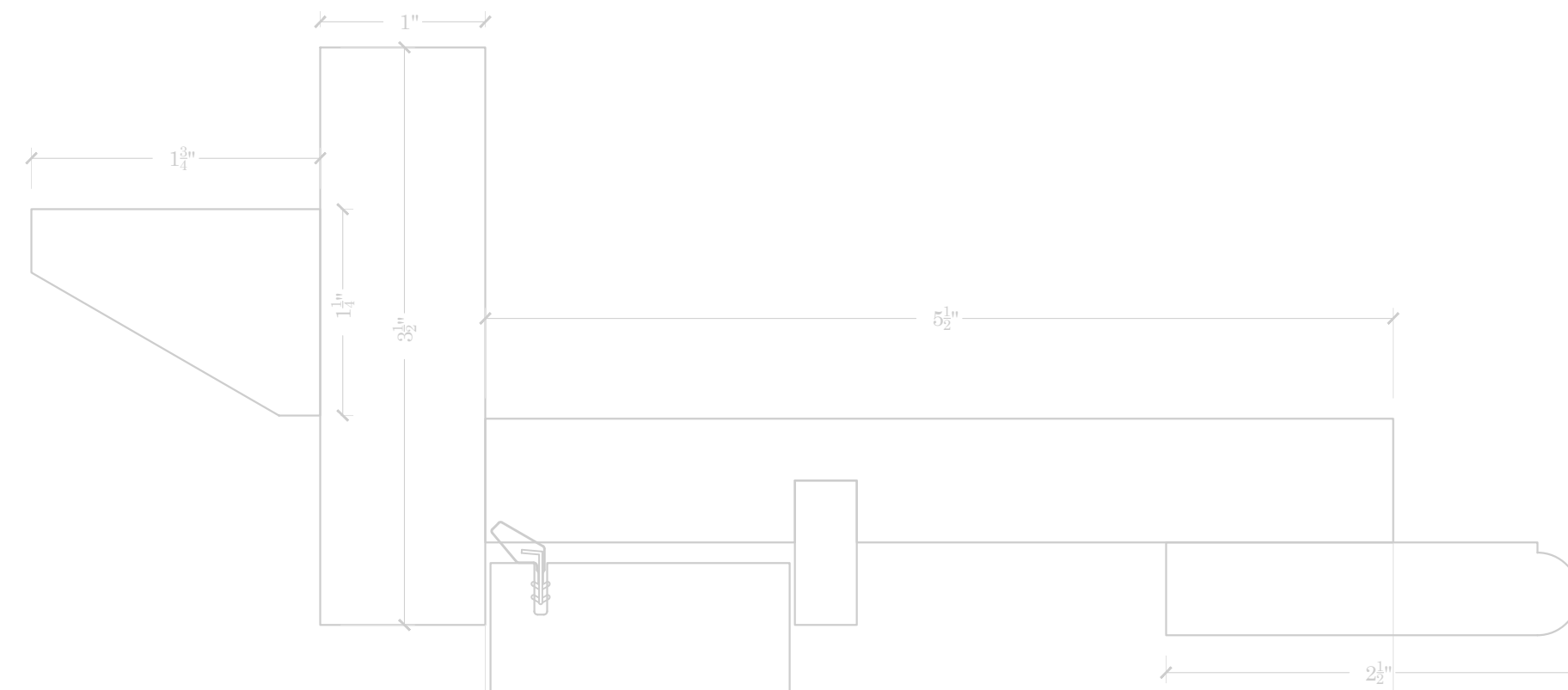
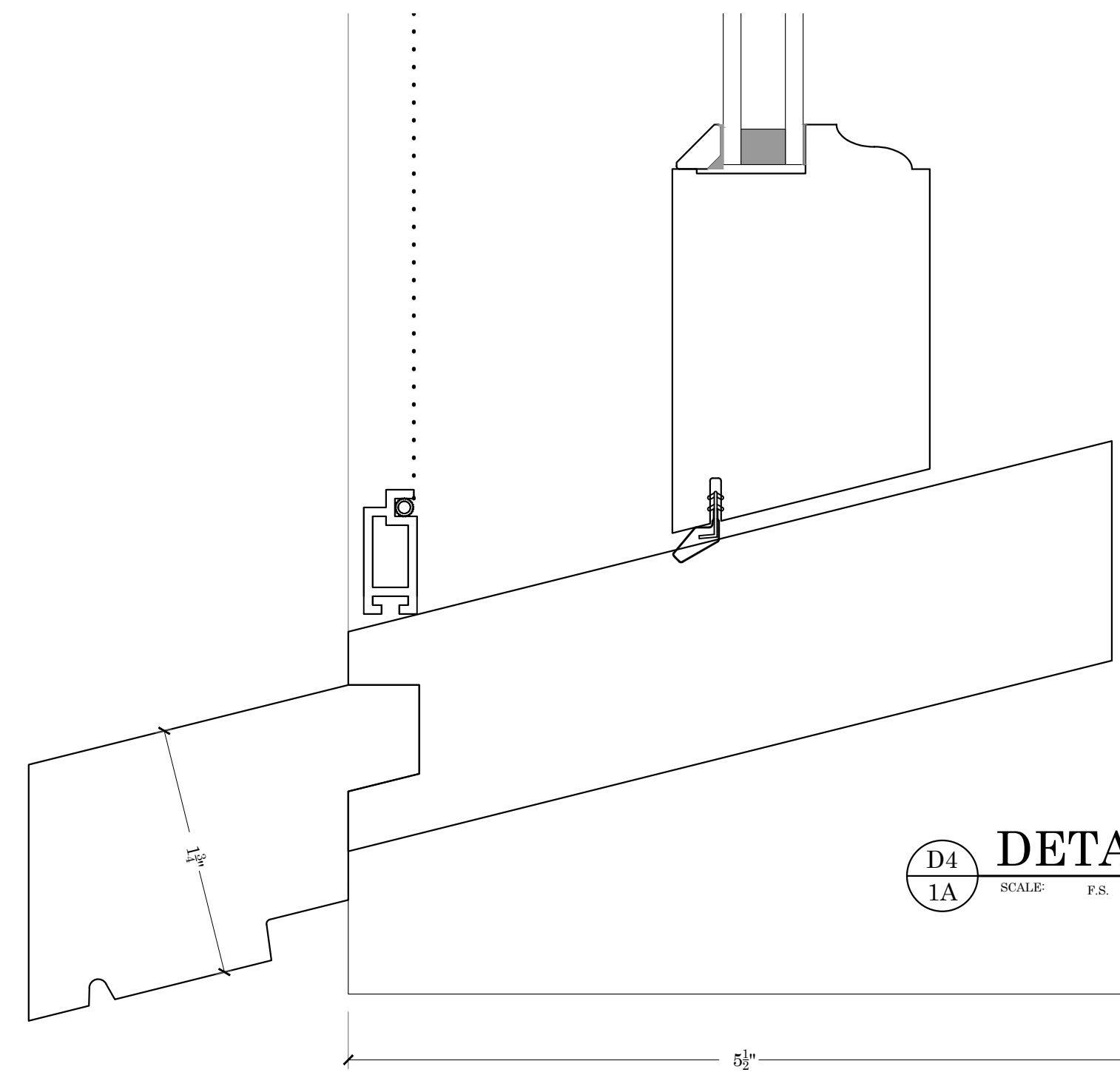
D2
1A
SCALE: F.S.



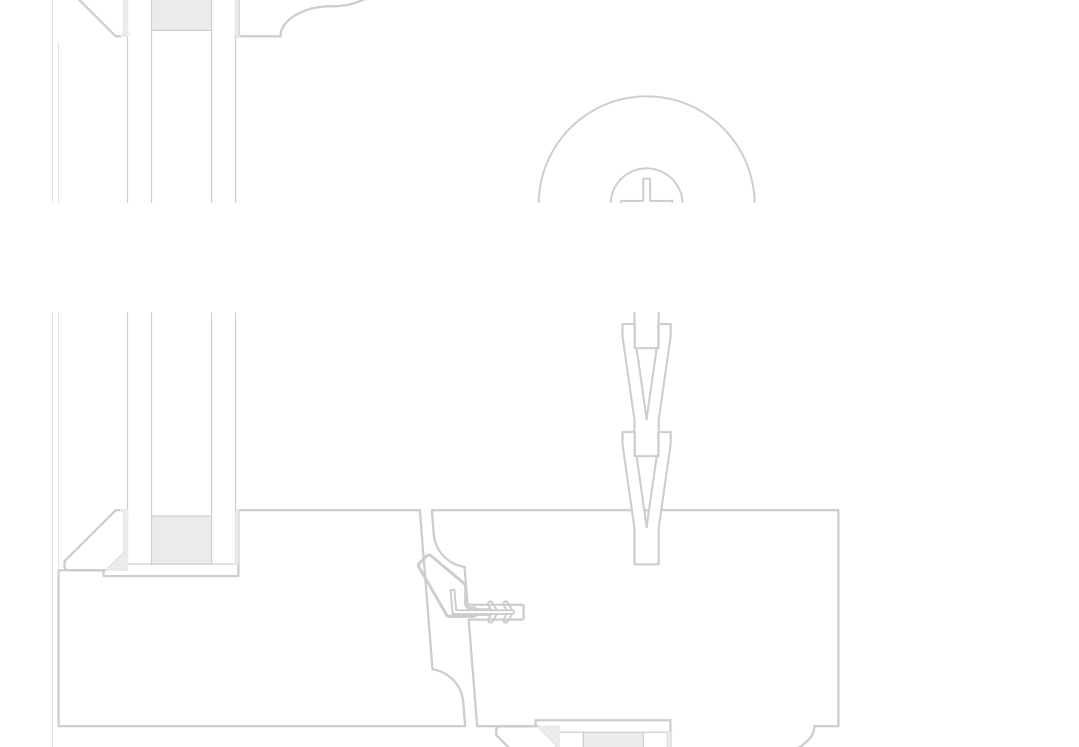
D3
1A
SCALE: F.S.



D4
1A
SCALE: F.S.

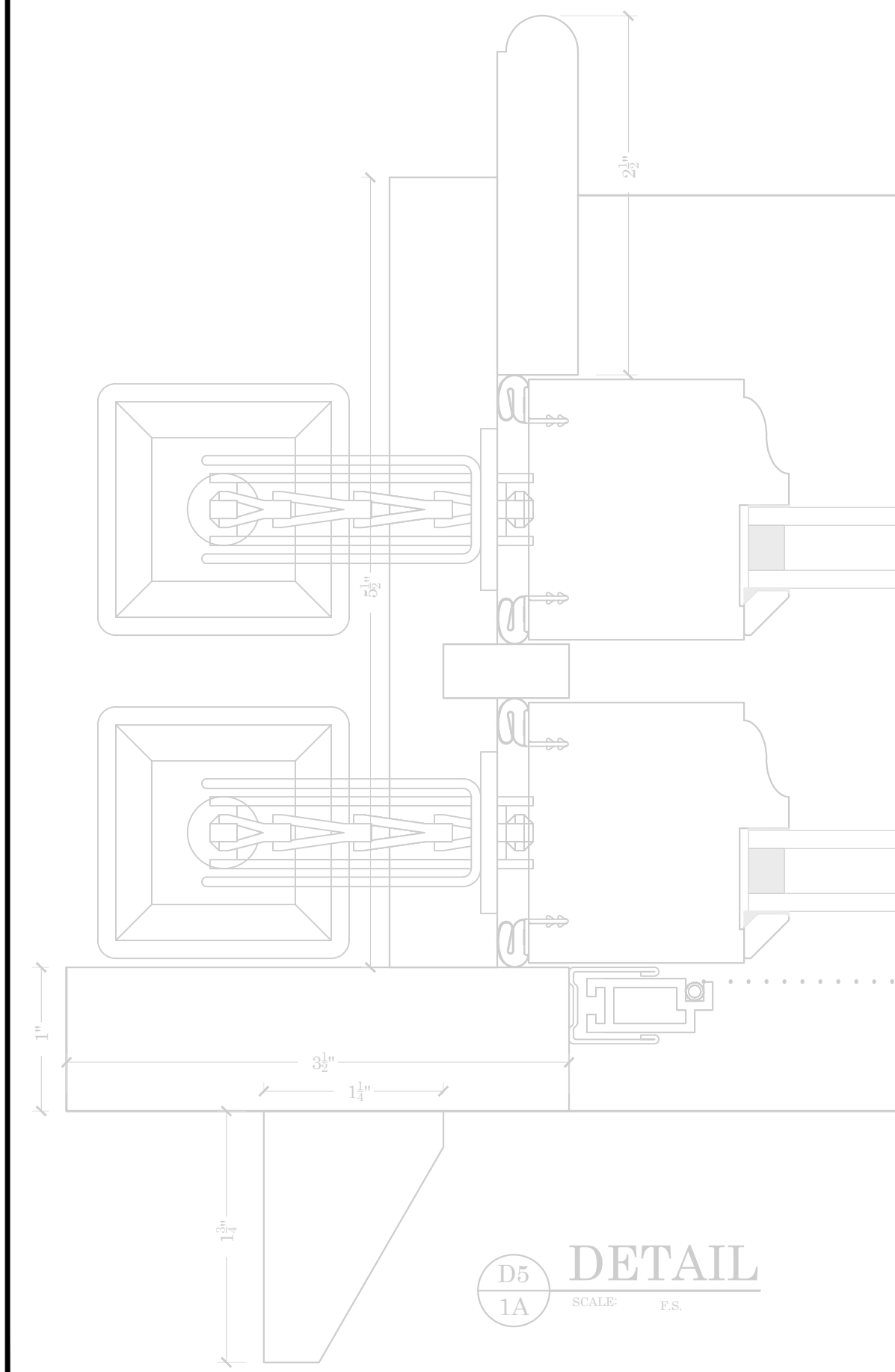
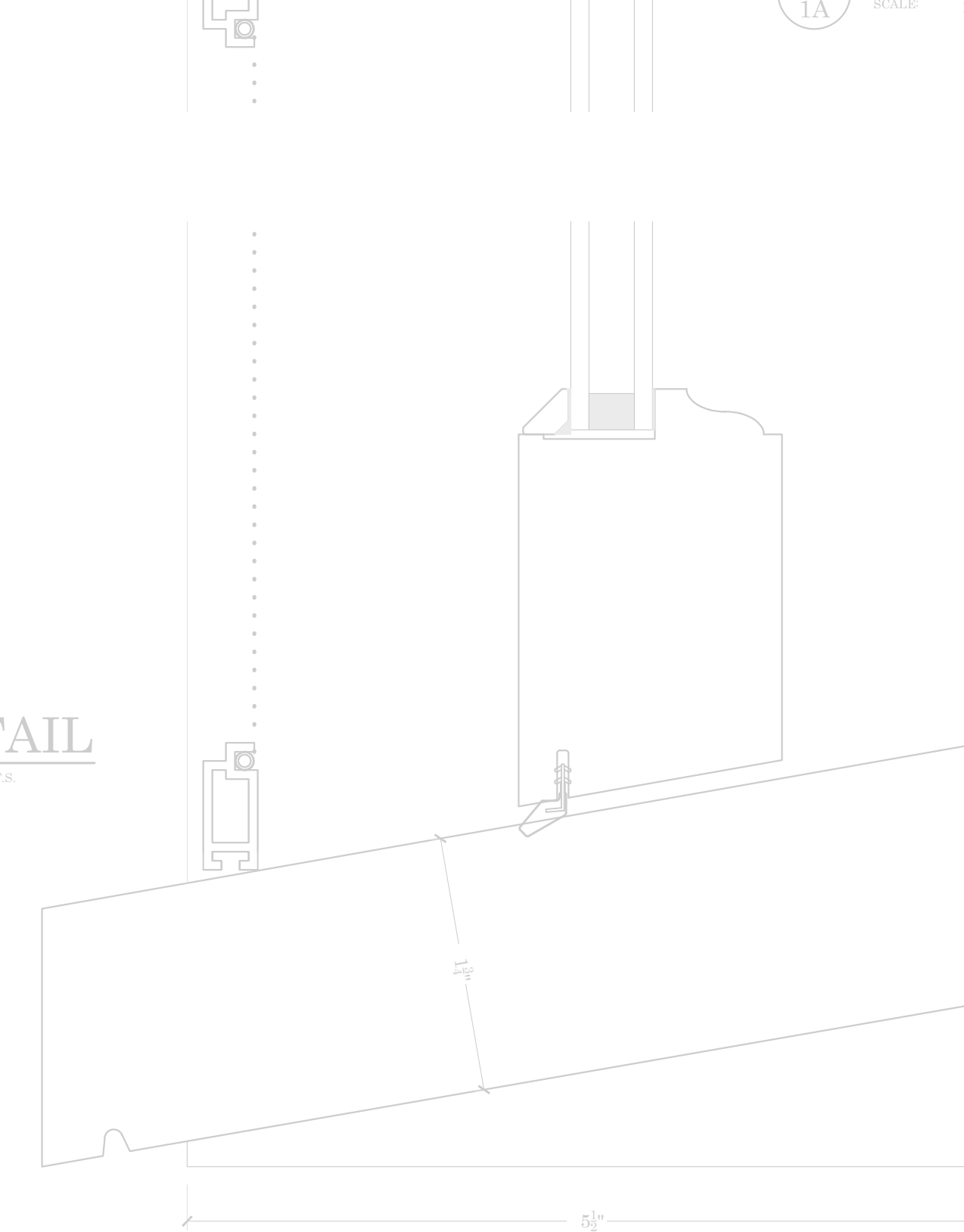


D6
1A
SCALE: F.S.



D7
1A
SCALE: F.S.

D8
1A
SCALE: F.S.



D5
1A
SCALE: F.S.

**BOSTON
SASH & MILLWORK**

667 SPRING STREET
NORTH DIGHTON, MA 02764
PHONE # (508) 880-8808
WWW.BOSTONSASH.COM

HARDWARE

15	UNLAQ BRASS SASH LOCK
60	UNLAQ BRASS PULLEYS
-	LEAD SASH WEIGHTS

SUB./REVISION

△	-	-
-	-	-
-	-	-
-	-	-
-	-	-
-	-	-

JOB:	88 PINKNEY ST	
DESCRIPTION:	BEACON HILL FULL W/C	
DEALER:	MACLEOD AND MOYNIHAN	
DEALER CONTACT:	THOMAS MAHONEY	
DRAWN BY:	DYLAN RAIMONDI	
DRAWING NUMBER:	21-524-D17	
JOB NUMBER:	-	
CUSTOMERS P.O.#	37465 TM	DWG. NO.
DATE:	7/26/21	1A
SCALE:	NOTED	



BLACK

**Black**
HC-190

Black

LRV: 2.48 

Formerly known as Black PM-9. This color is part of the Historic Color collection. A collection of 191 time-honored hues comprises our most popular palette. Steeped in tradition, the refined, elegant colors of the Historical Collection deliver timeless color that can be used in traditional as well as contemporary spaces. Unveiled in 1976 to celebrate the US bicentennial, a collection of 191 colors inspired by America's historic landmarks.



Aura Exterior Paint Semi-Gloss

Semi-Gloss (632)

FEATURES

- Proprietary Color Lock[®] technology for richer colors and superior fade resistance
- High build formula provides for extreme hide and coverage for fewer coats
- Outstanding durability against even the harshest weather conditions
- Lifetime Limited Warranty (see label for details)
- Low-temperature application to extend the painting season

MORE INFORMATION

- Superior adhesion
- Fast drying and quick re-coat times
- Provides a mildew-resistant coating
- Self-priming in most situations
- Engineered with [Gennex[®] Color Technology](#)
- View the [sell sheet](#) for more information

TOOLS

SDS / TDS

Available Colors: Available in thousands of colors, Ready Mix White

Sheen (or Gloss): Semi-Gloss

Cleanup: Soap and Water

Resin Type: Proprietary 100% Acrylic

Recommended Use: Exterior

MPI Rating: 011

VOC Level: 50.0



Aura Exterior Paint Low Lustre

Low Lustre (634)

FEATURES

- Proprietary Color Lock[®] technology for richer colors and superior fade resistance
- High build formula provides for extreme hide and coverage for fewer coats
- Outstanding durability against even the harshest weather conditions
- Lifetime Limited Warranty (see label for details)
- Low-temperature application to extend the painting season

MORE INFORMATION

- Superior adhesion
- Fast drying and quick re-coat times
- Provides a mildew-resistant coating
- Self-priming in most situations
- Engineered with [Gennex[®] Color Technology](#)
- View the [sell sheet](#) for more information

TOOLS

SDS / TDS

Available Colors: Available in thousands of colors, Ready Mix White

Sheen (or Gloss): Low Lustre

Cleanup: Soap and Water

Resin Type: Proprietary 100% Acrylic

Recommended Use: Exterior

MPI Rating: 015

VOC Level: 50.0

HOME > ESTATE ACCESSORIES > DOOR ACCESSORIES > LETTER BOX PLATES-003



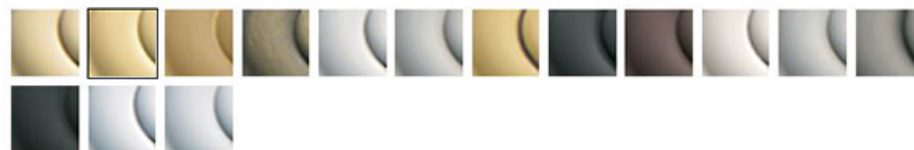
LETTER BOX PLATES

Model #: 0012.031

★★★★★ Write a review Ask a question

AVAILABLE FINISHES:

SELECTED: NON-LACQUERED BRASS



WHERE TO BUY ADD TO WISH LIST

QCLICK IMAGE TO ZOOM

+ ENLARGE IMAGE

PRODUCT HIGHLIGHTS

- Letter Box Plates, 13" x 3.625"
- Designed for use on exposed doors to prevent wind from forcing rain and snow through the slot
- Very large opening will accommodate small packages
- Bronze spring keeps flap tightly closed at all times and permits vertical installation
- ⚠ **WARNING:** This product can expose you to lead, which is known to the State of California to cause cancer and birth defects or other reproductive harm. For more information go to P65Warnings.ca.gov

HOME > ESTATE ACCESSORIES > DOOR ACCESSORIES > LETTER BOX SLEEVE-324



LETTER BOX SLEEVE

Model #: 0052.324

★★★★★ 5.0 (1) [Write a review](#) [Ask a question](#)

AVAILABLE FINISHES:

WHERE TO BUY	ADD TO WISH LIST
------------------------------	----------------------------------

CLICK IMAGE TO ZOOM

[+ ENLARGE IMAGE](#)

PRODUCT HIGHLIGHTS

- Letter Box Sleeve, Fits 0012 & 0014