



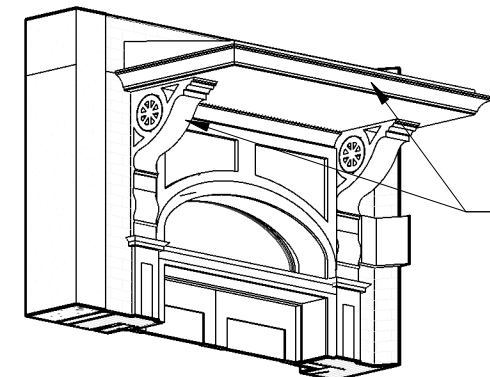
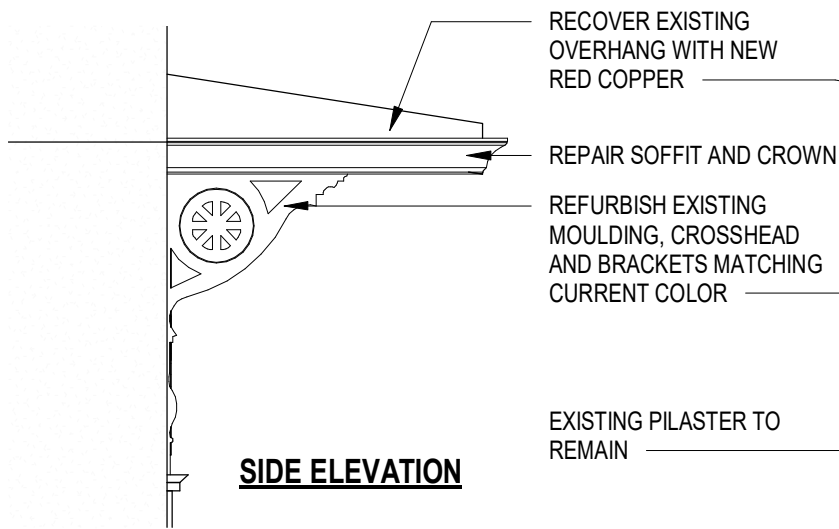
11 St. Charles Street - Front Facade



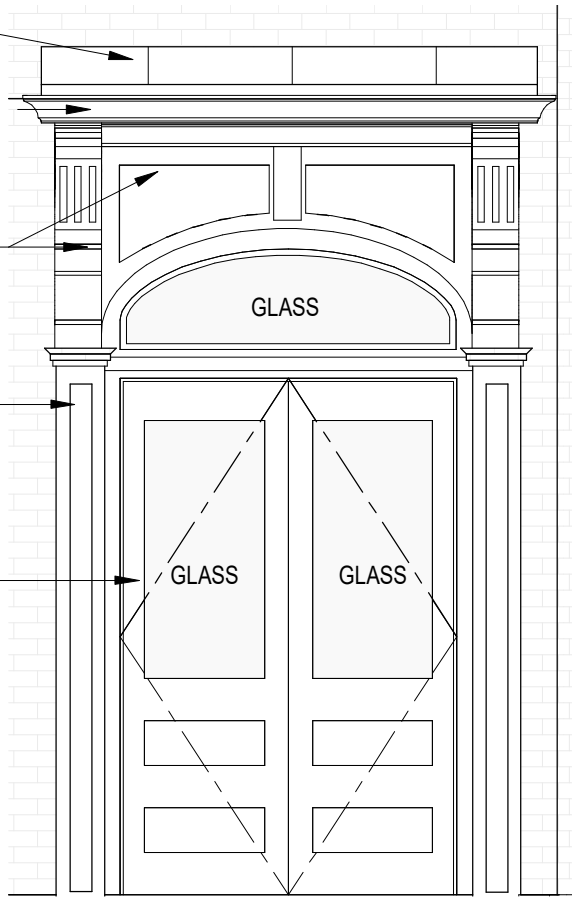
11 St. Charles Street



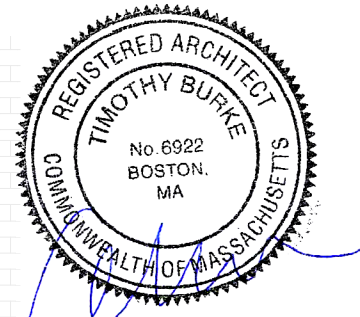
11 St. Charles Street



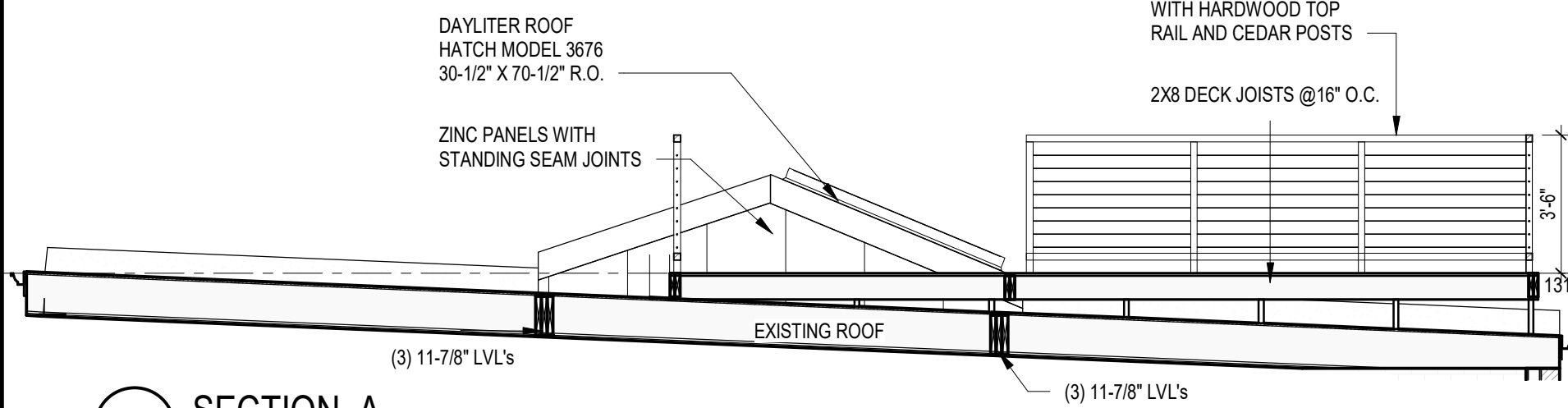
**AXONOMETRIC VIEW**



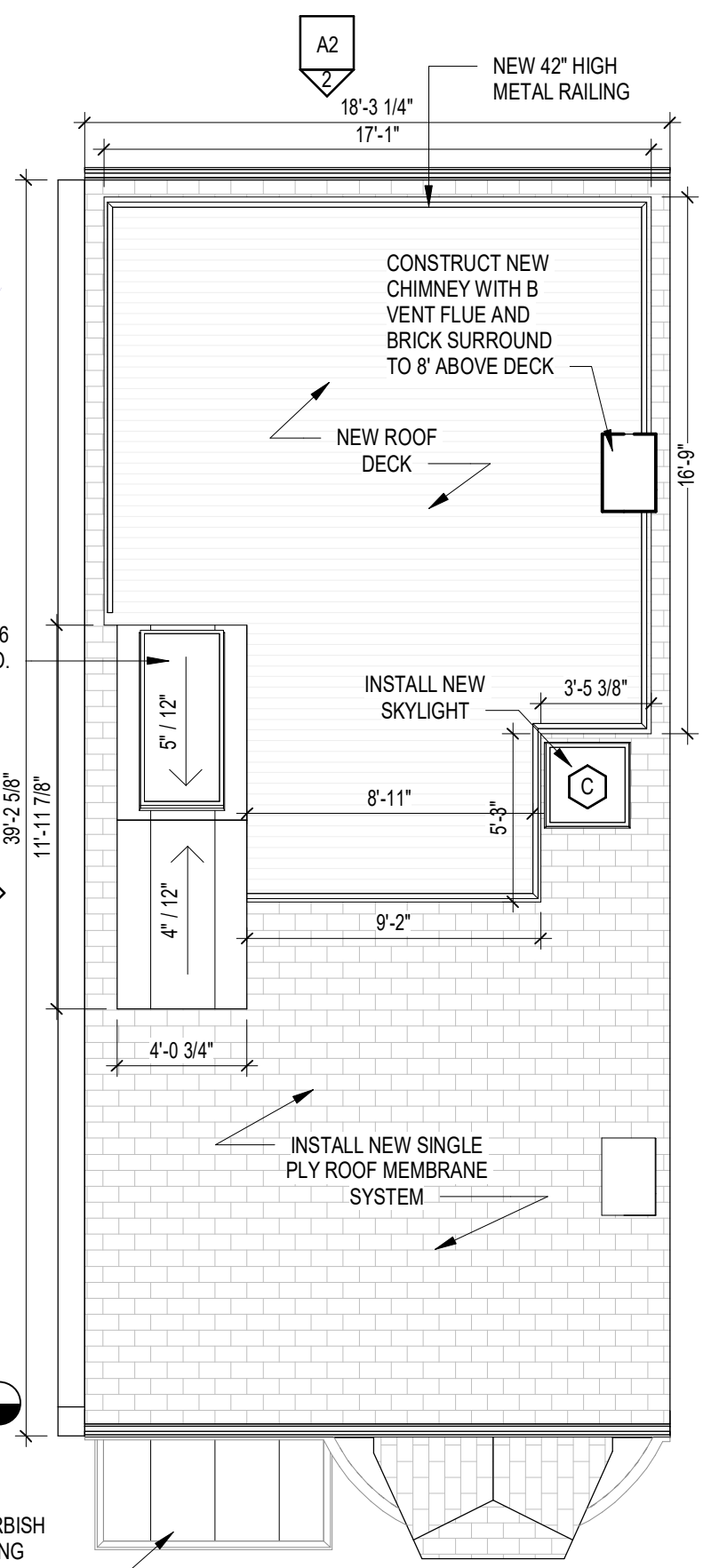
**FRONT ELEVATION**



**2 OVERHANG**



**3 SECTION A**  
1/4" = 1'-0"



**1 ROOF PLAN PROPOSED**  
3/16" = 1'-0"

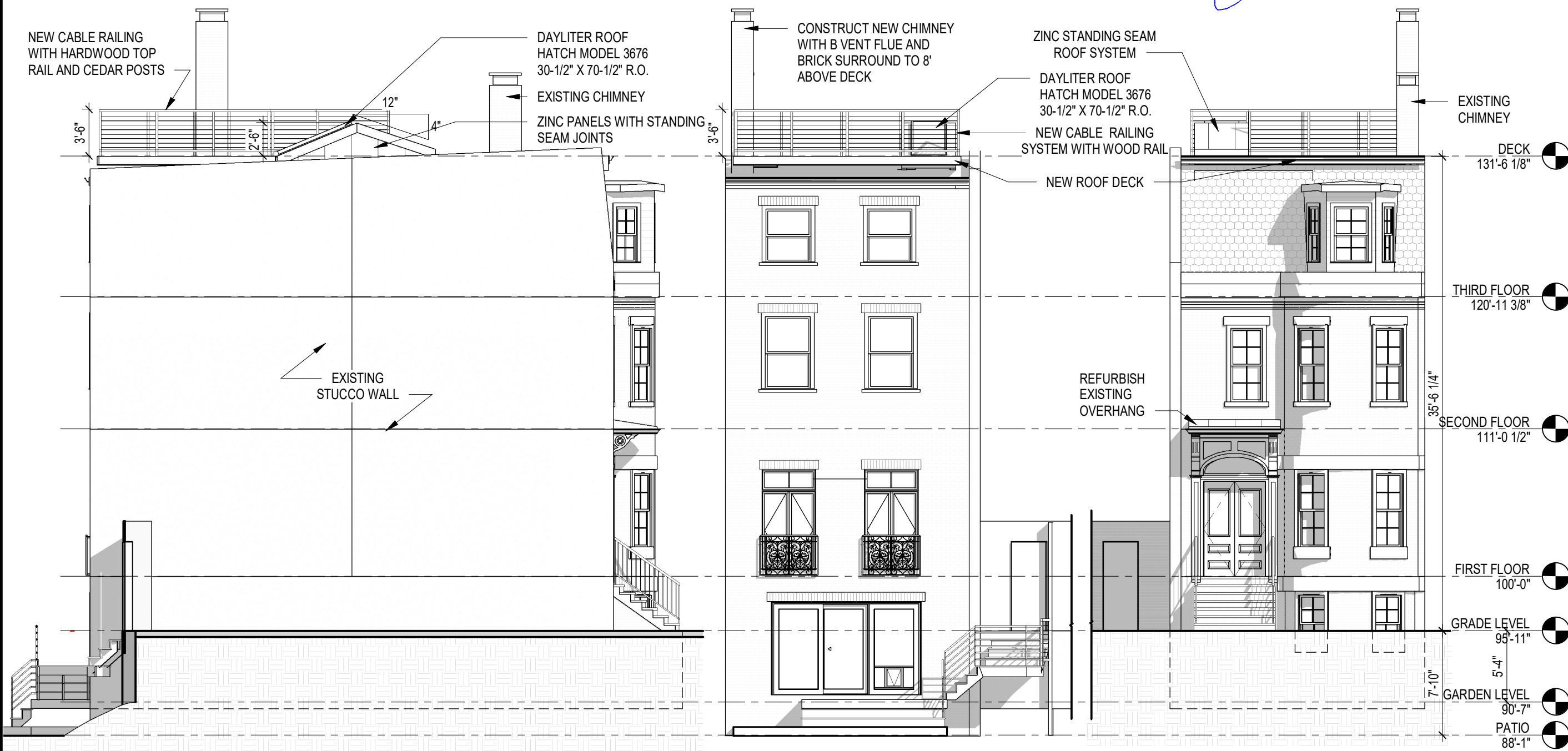
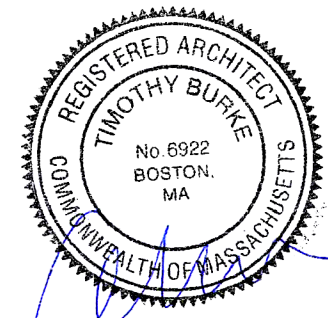
**Timothy Burke**  
ARCHITECTURE

142 BERKELEY STREET, BOSTON MASSACHUSETTS 02116  
P: 617.266.1332 | W: timothyburke.net | F: 617.266.1116

Date: 07/12/2021  
Author  
Drawn By:  
PROPOSED PLANS

11 Saint Charles St.  
Boston, Massachusetts 02116

**A1**



3 NORTHWEST PROPOSED  
1/8" = 1'-0"

2 NORTHEAST PROPOSED  
1/8" = 1'-0"

1 SOUTHWEST PROPOSED  
1/8" = 1'-0"

**Timothy Burke**  
ARCHITECTURE

142 BERKELEY STREET, BOSTON MASSACHUSETTS 02116  
P: 617.266.1332 | W: timothyburke.net | F: 617.266.1116

Date: 07/12/2021  
Author  
Drawn By:

PROPOSED PLANS  
Refer To:

11 Saint Charles St.  
Boston, Massachusetts 02116

A2