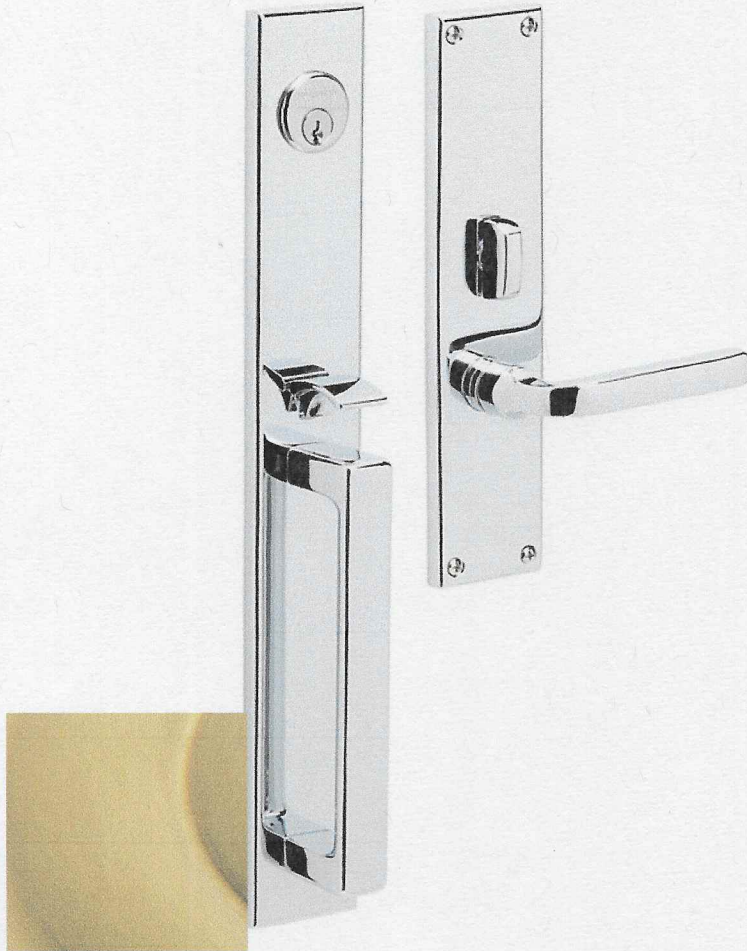


# MINNEAPOLIS ENTRANCE TRIM

**MODEL #: 6976.044**




(//s7d1.scene7.com/is/image/Baldwin/SKU?  
\$ProductDetailsEnlarge&&\$SkulImage=Baldwin%2f6976-260-  
c1&\$FinishSwatch=Baldwin/044-lifetimesatinbrass)

**Q TAP AND HOLD IMAGE TO ZOOM**

Write a review Ask a question

## AVAILABLE FINISHES:

 Lifetime Satin Brass ▼

**WHERE TO BUY (/WHERE-TO-BUY?ESTATE=1)**



## PRODUCT HIGHLIGHTS

- Minneapolis Entrance Trim, shown with 5190 Lever
- Solid forged brass
- 5190 lever included, a la carte ordering available
- Must also order mortise lock and cylinder for specific door thickness
- Requires mortise pocket, can be installed on wood, metal and some fiberglass doors
- Most residential functions are fully reversible for both handing
- Accommodates door thickness of 1.75". Conversion kit available for 2.0" and 2.25" thick doors.
- Standard 6-pin available on all except 1" cylinders
- ANSI/BHMA A 156.13 Operational & Security Grade I when used in conjunction with Baldwin Commercial Mortise Locks
- Functions available: entrance, double cylinder, and full dummy

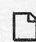
Some of our product families have available specialty functions. The specialty products listed below can be ordered through our Showroom Partners. Please refer to our printed catalog (/support/product-literature#price-guides) for complete specialty products availability.

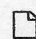
Model#	Description
6620.XXX.BB	Back-to-Back - Minneapolis
6976.XXX.FD	Full Dummy - Minneapolis
6976.XXX.DBLC	Double Cylinder - Minneapolis

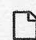
## TECHNICAL INFORMATION

 Installation Guide

(//s7d1.scene7.com/is/content/Baldwin/mortise\_installation\_instructionspdf)

 Specifications Document (//s7d1.scene7.com/is/content/Baldwin/6976-product-spec)

 Product Template (//s7d1.scene7.com/is/content/Baldwin/6976-template)

 Warranty Document (//s7d1.scene7.com/is/content/Baldwin/estate-warrantypdf)

*Do not use prints made from this website to mark distances.*

*Due to individual printers, dimensions on installation instructions may not print at an accurate scale.*

## ESTATE WARRANTY



**Mechanical Warranty:**

Baldwin Hardware warrants to the original residential purchaser (the "Purchaser") that each Baldwin Estate product shall be free of mechanical defect for as long as the Purchaser occupies the residential premises upon which the product was originally installed.

**Finish Warranty:**

**Limited Lifetime PVD Finish™ Warranty:** The Baldwin Lifetime finishes use advanced finishing technology (Physical Vapor Deposition) to create a finish highly resistant to the effects of weather and normal wear and tear. For Baldwin products purchased with Lifetime or PVD finishes, Baldwin warrants the finish shall be free from defects in material and workmanship from tarnishing, flaking, pitting, and discoloring for the lifetime of the applicable product as long as the original Purchaser occupies the residential premises upon which the product was originally installed.

**Limited Finish Warranty:** The finish on Baldwin products (excluding Lifetime PVD Finish and living finish products) is protected by a durable topcoat designed to maintain the beauty and quality of the Baldwin product. For Baldwin products purchased with a Limited Finish Warranty, Baldwin warrants the finish shall be free from defects in material and workmanship from tarnishing, flaking, and discoloring for either a) five (5) years from date of purchase for interior use or b) one (1) year from the date of purchase for exterior use; as long as the original Purchaser occupies the residential premises upon which the product was originally installed.

**Living Finishes:** Atmospheric conditions can cause staining and alkaline etching that varies by geography. In addition, frequency of use will cause the finish to gracefully age in appearance. These finish changes are not considered manufacturing defects and are not covered by this warranty. Rather, they are indicative of normal wear and tear and reflect the essence of a living finish. Due to the nature of Baldwin living finish products, they will wear over time and may already have begun the process before reaching your home. No finish warranty is offered on Baldwin living finish products, which are designed to age and improve over time. Living finishes include raw brass, oil rubbed bronze, stainless steel, and other non-lacquered or non-PVD finishes.

For more details about your product warranty, please contact our Customer Service team (</support/contact-support>).

**CUSTOMER REVIEWS**

**REVIEWS**

Be the first to review this product

Corporate ([/www.spectrumhhi.com](http://www.spectrumhhi.com)) Web Accessibility (</accessibility-statement>)

Privacy Policy (<https://www.spectrumbrands.com/privacy-policy.html>)

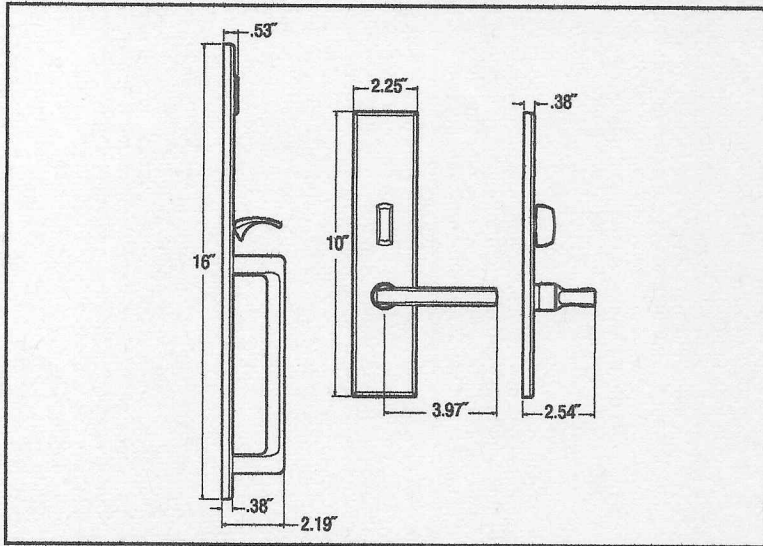
Supplier Code of Conduct (<https://www.spectrumbrands.com/supplier-code-of-conduct.html>)



# BALDWIN

## 6976 - MINNEAPOLIS ESTATE HANDLESET

### SPECIFICATIONS



- > Accessibility Code (ADA) A117.1 for all levers.
- > Certified by Underwriters Laboratories (UL) for use on fire doors up to three-hour rating
- > U L10C / UBC 7-2 (1997) Positive Pressure Rated, UL10B Pressure Rated
- > Material: Solid Forged Brass

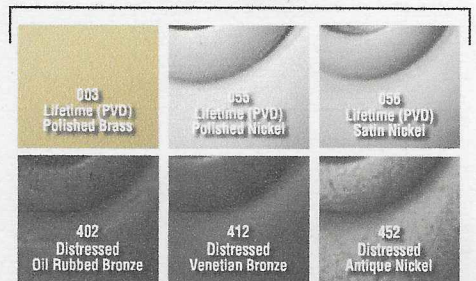
SHOWN WITH LEVER 5190



### TIER 1 FINISHES



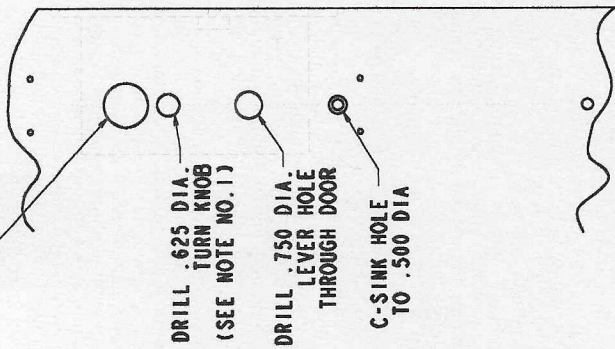
### TIER 2 FINISHES





# DOOR DETAIL

SEE NOTE NO. 1



INSIDE

NO. 8-18 OH PH S/M/S  
X.875 LG (4 REQUIRED)

DRILL 1.250 DIA.  
CYLINDER

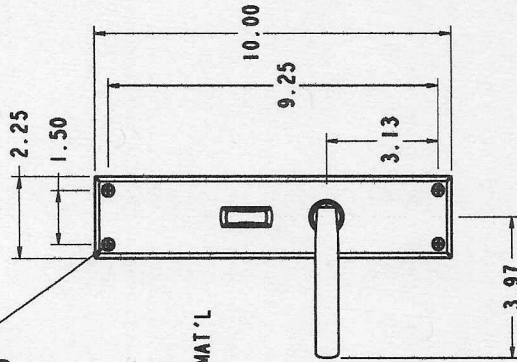
DRILL 1.00 DIA  
THUMBPIECE

REMOVE REMAINING MAT'L

DRILL .312 DIA  
THROUGH DOOR

1.00 DIA. C-BORE  
X .312 DEEP

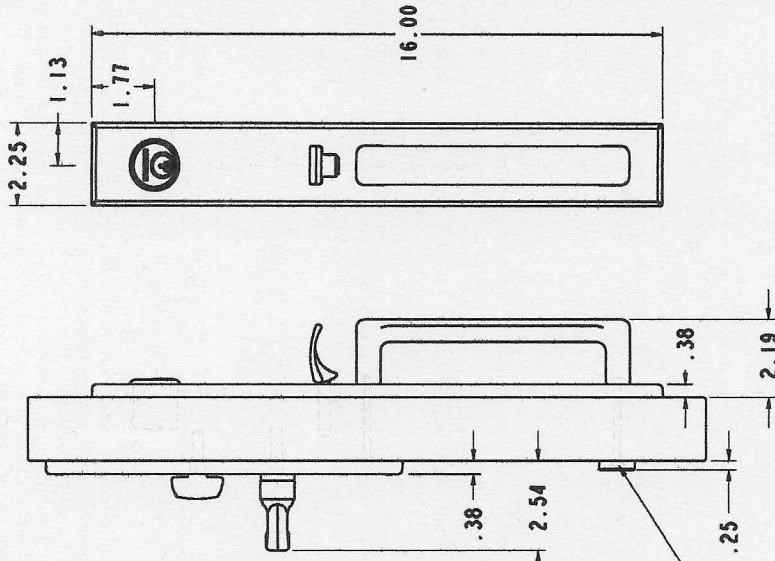
DRILL .312 DIA.  
THROUGH DOOR



OUTSIDE

# TRIM DETAIL

(RENT FUNCTION ILLUSTRATED)



1/4-20 FH PH M/S  
X2.25 LG (2REQUIRED)

NOTE:

- 1) WHEN PREPARING DOOR FOR RDBL FUNCTION, OMIT DRILLING OF Ø.625 TURN KNOB HOLE (INSIDE). DRILL A Ø 1.250 CYLINDER HOLE INSTEAD, USING SAME CENTER LINE AS OUTSIDE CYLINDER HOLE.
- 2) FOR ADDITIONAL LOCK AND DOOR CUTOUT DIMENSIONS, SEE APPROPRIATE LOCK TEMPLATE.
- 3) DRILL ALL HOLES HALF WAY THROUGH DOOR UNLESS OTHERWISE SPECIFIED.
- 4) INSTALLATION PLATES ARE NOT REQUIRED FOR THIS TRIM.

EFFECTIVE 01/01/07



**BALDWIN**  
HARDWARE CORPORATION  
READING, PENNSYLVANIA

**BLACK & DECKER**  
COMPANY

**6976 MINNEAPOLIS TRIM**

TEMPLATE: NO VARIATIONS TEMPLATE NO.

**I-976**

DO NOT SCALE DRAWING

© 2005 BY BALDWIN HARDWARE CORPORATION



# RING KNOCKER

**MODEL #: 0195.003**



(//s7d1.scene7.com/is/image/Baldwin/SKU?ProductDetailsEnlarge\$\$Skulmage=Baldwin%2f0195-003-c1&\$FinishSwatch=Baldwin/000-nofinish)

**🔍 TAP AND HOLD IMAGE TO ZOOM**

★★★★☆ 4.5 (15) [Write a review](#) [Ask a question](#)

#### AVAILABLE FINISHES:

 Lifetime Polished Brass ▼

**WHERE TO BUY (/WHERE-TO-BUY?HOMEHARDWARE=1)**



ADD TO WISH LIST

## PRODUCT HIGHLIGHTS

- Ring Knocker, 4.25" x 5.5", 3.75" CTC of bolts
- **⚠ WARNING:** This product can expose you to lead, which is known to the State of California to cause cancer and birth defects or other reproductive harm. For more information go to P65Warnings.ca.gov (<http://www.p65warnings.ca.gov/>)

## TECHNICAL INFORMATION

- 📄 [Installation Guide \(//s7d1.scene7.com/is/content/Baldwin/0195-installation-5049508\)](http://s7d1.scene7.com/is/content/Baldwin/0195-installation-5049508)
- 📄 [Warranty Document \(//s7d1.scene7.com/is/content/Baldwin/estate-warranty.pdf\)](http://s7d1.scene7.com/is/content/Baldwin/estate-warranty.pdf)

*Do not use prints made from this website to mark distances.*

*Due to individual printers, dimensions on installation instructions may not print at an accurate scale.*

## ESTATE WARRANTY

**DOWNLOAD WARRANTY PDF ([HTTP://S7D1.SCENE7.COM/IS/CONTENT/BALDWIN/ESTATE-WARRANTYPDF](http://s7d1.scene7.com/is/content/Baldwin/estate-warranty.pdf))**

### **Mechanical Warranty:**

Baldwin Hardware warrants to the original residential purchaser (the "Purchaser") that each Baldwin Estate product shall be free of mechanical defect for as long as the Purchaser occupies the residential premises upon which the product was originally installed.

### **Finish Warranty:**

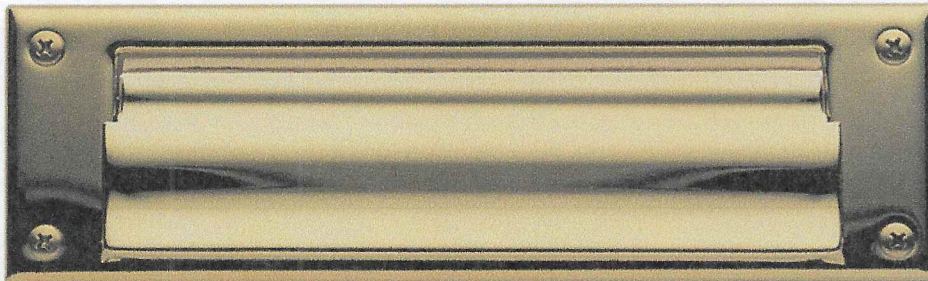
**Limited Lifetime PVD Finish™ Warranty:** The Baldwin Lifetime finishes use advanced finishing technology (Physical Vapor Deposition) to create a finish highly resistant to the effects of weather and normal wear and tear. For Baldwin products purchased with Lifetime or PVD finishes, Baldwin warrants the finish shall be free from defects in material and workmanship from tarnishing, flaking, pitting, and discoloring for the lifetime of the applicable product as long as the original Purchaser occupies the residential premises upon which the product was originally installed.

**Limited Finish Warranty:** The finish on Baldwin products (excluding Lifetime PVD Finish and living finish products) is protected by a durable topcoat designed to maintain the beauty and quality of the Baldwin product. For Baldwin products purchased with a Limited Finish Warranty, Baldwin warrants the finish shall be free from defects in material and workmanship from tarnishing, flaking, and discoloring for either a) five (5) years from date of purchase for interior use or b) one (1) year from the date of purchase for exterior use; as long as the original Purchaser occupies the residential premises upon which the product was originally installed.



# LETTER BOX PLATES

**MODEL #: 0015.003**



This website uses cookies to enhance user experience and to analyze performance and traffic on our website. We also share information about your use of our site with our social media, advertising and analytics partners. [Cookie Policy](#) (<https://www.spectrumbrands.com/privacy-policy.html>).

[Cookie Settings](#)


Accept Cookies

[https://s7d1.scene7.com/is/image/Baldwin/SKU?\\$ProductDetailsEnlarge\\$\\$\\$SkulImage=Baldwin%2f0015-003-c1&\\$FinishSwatch=Baldwin/000-nofinish](https://s7d1.scene7.com/is/image/Baldwin/SKU?$ProductDetailsEnlarge$$$SkulImage=Baldwin%2f0015-003-c1&$FinishSwatch=Baldwin/000-nofinish)

**🔍 TAP AND HOLD IMAGE TO ZOOM**

★★★★★ [Write a review](#) [Ask a question](#)

## AVAILABLE FINISHES:

 Lifetime Polished Brass ▼

**WHERE TO BUY (/WHERE-TO-BUY?HOMEHARDWARE=1)**



ADD TO WISH LIST

## PRODUCT HIGHLIGHTS

- Letter Box Plates, 10" x 3"
- Designed for use on exposed doors to prevent wind from forcing rain and snow through the slot
- Very large opening will accommodate small packages
- Bronze spring keeps flap tightly closed at all times and permits vertical installation
- **⚠ WARNING:** This product can expose you to lead, which is known to the State of California to cause cancer and birth defects or other reproductive harm. For more information go to P65Warnings.ca.gov (<http://www.p65warnings.ca.gov/>)

## TECHNICAL INFORMATION

- 📄 [Product Template \(//s7d1.scene7.com/is/content/Baldwin/0015-template-1\)](http://s7d1.scene7.com/is/content/Baldwin/0015-template-1)
- 📄 [Warranty Document \(//s7d1.scene7.com/is/content/Baldwin/estate-warranty.pdf\)](http://s7d1.scene7.com/is/content/Baldwin/estate-warranty.pdf)

*Do not use prints made from this website to mark distances.*

*Due to individual printers, dimensions on installation instructions may not print at an accurate scale.*

## ESTATE WARRANTY

**DOWNLOAD WARRANTY PDF ([HTTP://S7D1.SCENE7.COM/IS/CONTENT/BALDWIN/ESTATE-WARRANTYPDF](http://s7d1.scene7.com/is/content/Baldwin/estate-warranty.pdf))**

### **Mechanical Warranty:**

Baldwin Hardware warrants to the original residential purchaser (the "Purchaser") that each Baldwin Estate product shall be free of mechanical defect for as long as the Purchaser occupies the residential premises upon which the product was originally installed.

### **Finish Warranty:**

**Limited Lifetime PVD Finish™ Warranty:** The Baldwin Lifetime finishes use advanced finishing technology (Physical Vapor Deposition) to create a finish highly resistant to the effects of weather and normal wear and tear. For Baldwin products purchased with Lifetime or PVD finishes, Baldwin warrants the finish shall be free from defects in material and workmanship from tarnishing, flaking, pitting, and discoloring for the lifetime of the applicable product as long as the original Purchaser occupies the residential premises upon which the product was originally installed.

**Limited Finish Warranty:** The finish on Baldwin products (excluding Lifetime PVD Finish and living finish products) is



protected by a durable topcoat designed to maintain the beauty and quality of the Baldwin product. For Baldwin products purchased with a Limited Finish Warranty, Baldwin warrants the finish shall be free from defects in material and workmanship from tarnishing, flaking, and discoloring for either a) five (5) years from date of purchase for interior use or b) one (1) year from the date of purchase for exterior use; as long as the original Purchaser occupies the residential premises upon which the product was originally installed.

Living Finishes: Atmospheric conditions can cause staining and alkaline etching that varies by geography. In addition, frequency of use will cause the finish to gracefully age in appearance. These finish changes are not considered manufacturing defects and are not covered by this warranty. Rather, they are indicative of normal wear and tear and reflect the essence of a living finish. Due to the nature of Baldwin living finish products, they will wear over time and may already have begun the process before reaching your home. No finish warranty is offered on Baldwin living finish products, which are designed to age and improve over time. Living finishes include raw brass, oil rubbed bronze, stainless steel, and other non-lacquered or non-PVD finishes.

For more details about your product warranty, please contact our Customer Service team (/support/contact-support).

## CUSTOMER REVIEWS



0  
Reviews

1  
Question

1  
Answer

## REVIEWS

Be the first to review this product

[Corporate \(/www.spectrumhhi.com\)](http://www.spectrumhhi.com) [Web Accessibility \(/accessibility-statement\)](/accessibility-statement)

[Privacy Policy \(https://www.spectrumbrands.com/privacy-policy.html\)](https://www.spectrumbrands.com/privacy-policy.html)

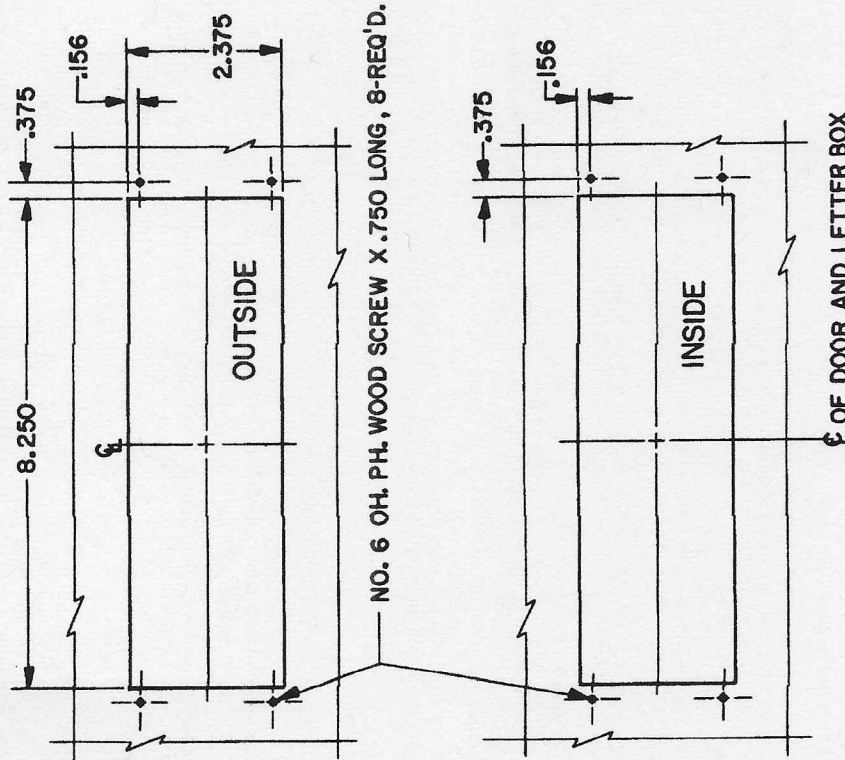
[Supplier Code of Conduct \(https://www.spectrumbrands.com/supplier-code-of-conduct.html\)](https://www.spectrumbrands.com/supplier-code-of-conduct.html)

[Sitemap \(/sitemap\)](/sitemap)

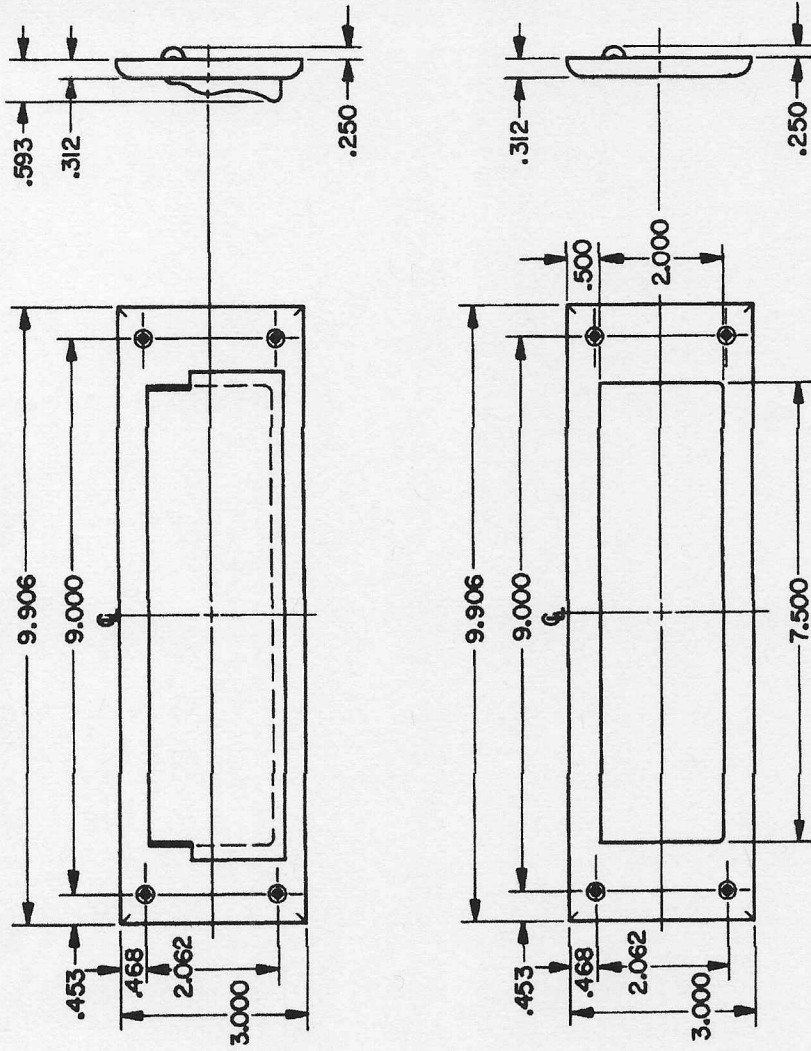
Copyright © 2021 Baldwin Hardware. All Rights Reserved.



### DOOR DETAIL



### LETTER BOX DETAIL



BALDWIN

## 0015 LETTER BOX PLATES

TEMPLATE NO. VARIATIONS

TEMPLATE NO.

A009

DO NOT SCALE DRAWING

© 1986 by Baldwin Hardware Corporation



OUTDOOR &  
GARDEN  
ESSENTIALS

REMODELISTA'S  
KITCHEN PICKS


SHOP STORAGE &  
ORGANIZATION

EXPLORE THE  
CATALOG

[Outdoor](#) > [House Numbers](#) > 4" Rock Creek Modern House Numbers

MAIL IT

PRINT IT

 Save

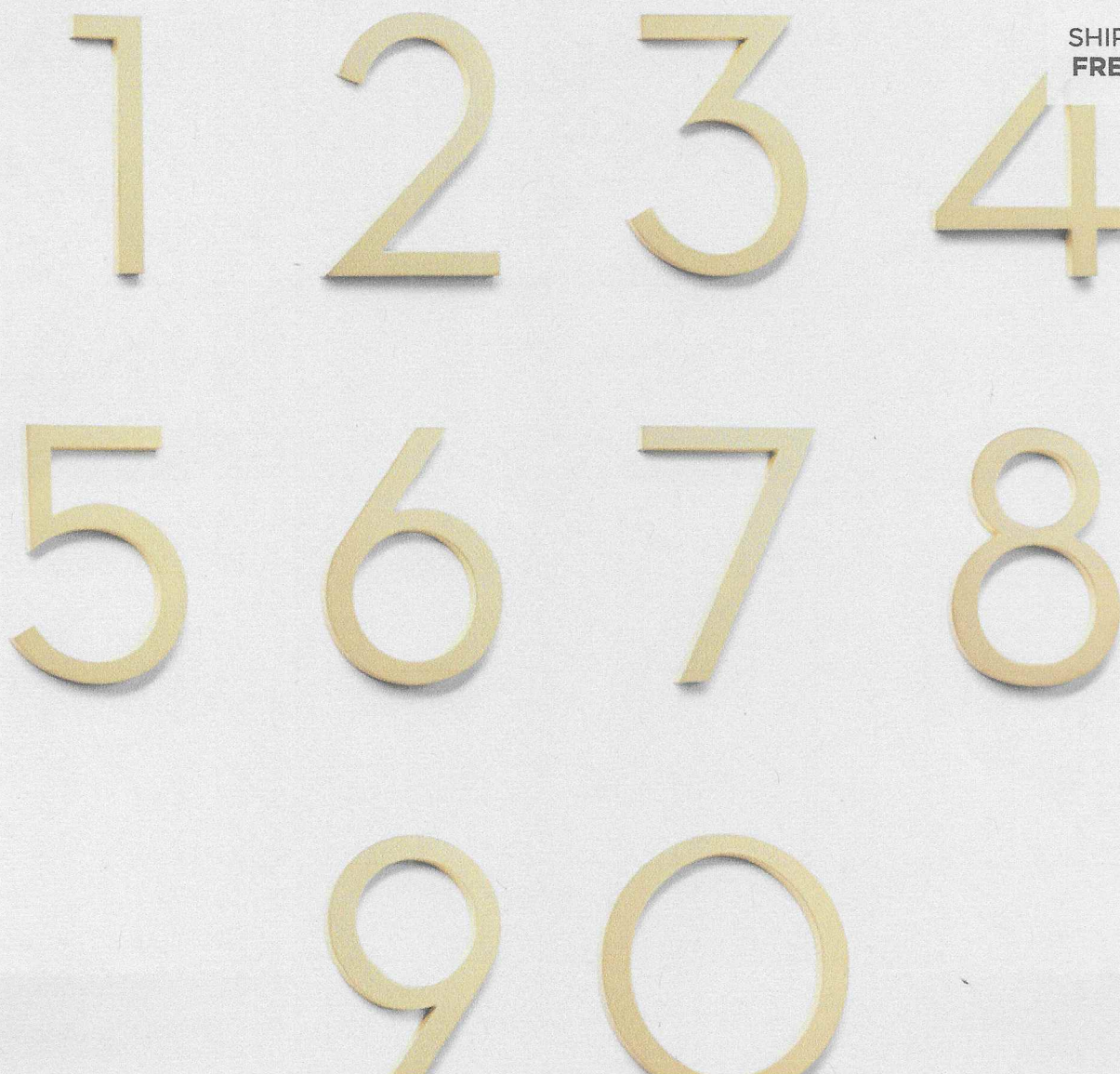
1K+

## 4" ROCK CREEK MODERN HOUSE NUMBERS Item #C4372

Aged Brass



SHIPS  
FREE





# PRODUCT DESCRIPTION

Our Modern House Numbers have a sleek and sophisticated style that's also easy to read. And with 1/2" spacers, they'll float on the surface of your house, adding a bit of depth and interest.

- Aluminum with Aged Brass finish
- Mounting hardware included
- Imported

## PRODUCT SPECIFICATIONS

<b>Item #</b>	C4372
<b>Your House Number</b>	1"
<b>Zero number width</b>	4"
<b>One number width</b>	1-1/2"
<b>Two number width</b>	3"
<b>Three number width</b>	3"
<b>Four number width</b>	2-3/4"
<b>Five number width</b>	2-3/4"
<b>Six number width</b>	3"
<b>Seven number width</b>	2-3/4"
<b>Eight number width</b>	2-3/4"
<b>Nine number width</b>	3"
<b>Height of all numbers</b>	4"
<b>Depth</b>	3/4"