

46 BEACON ST
REAR ELEVATION

CHAPEL WINDOW
EXISTING CONDITIONS

DINING ROOM WINDOWS
EXISTING CONDITIONS



CHAPEL WINDOW INTERIOR
EXISTING ~~CONDITIONS~~ ~~CONDITIONS~~



CHAPTER WINDOW INTERIORS
EXISTING CONDITIONS



CHapel WINDOW
INTERIOR
EXISTING CONDITIONS



CHAPEL WINDOW INTERIOR
EXISTING CONDITIONS



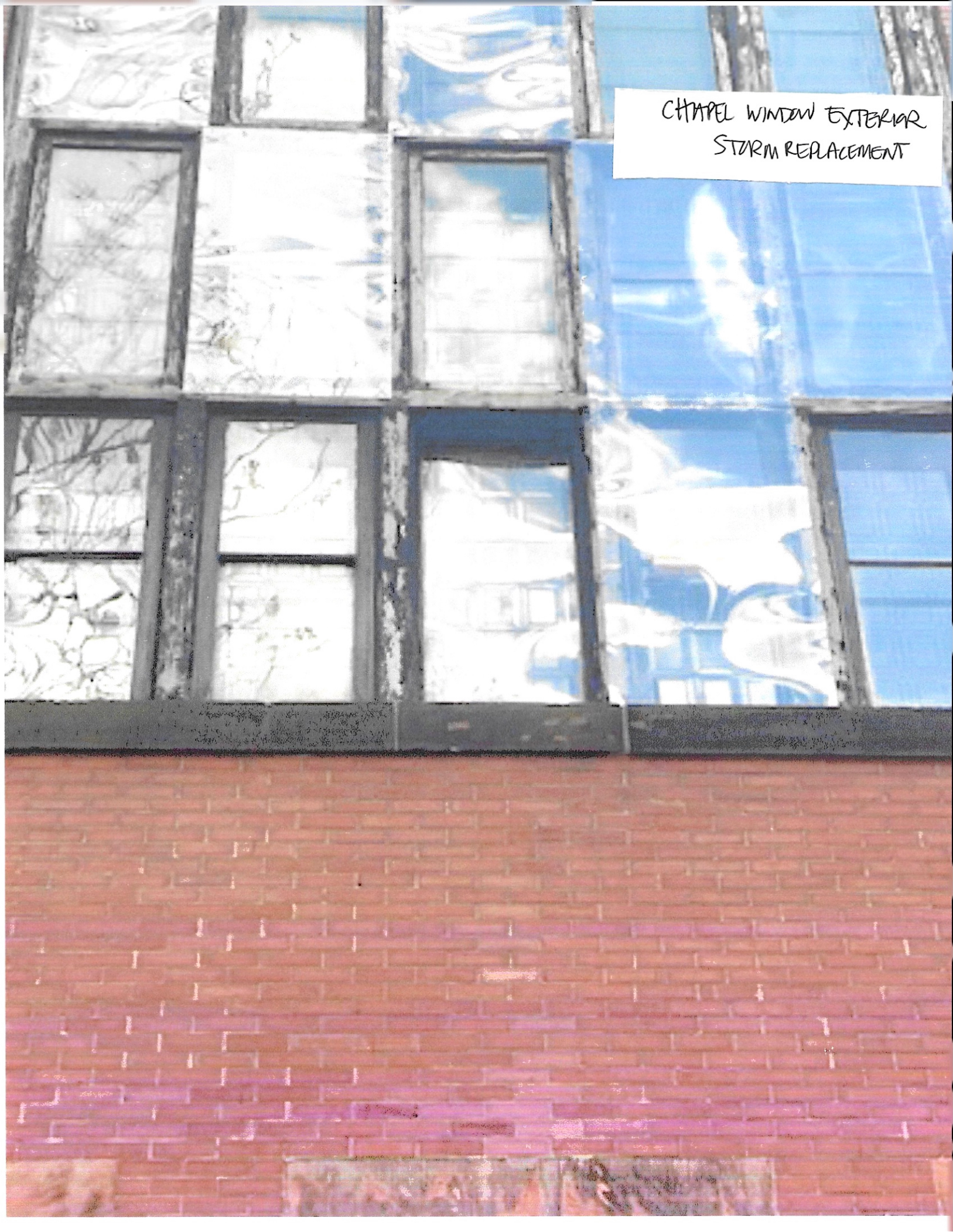


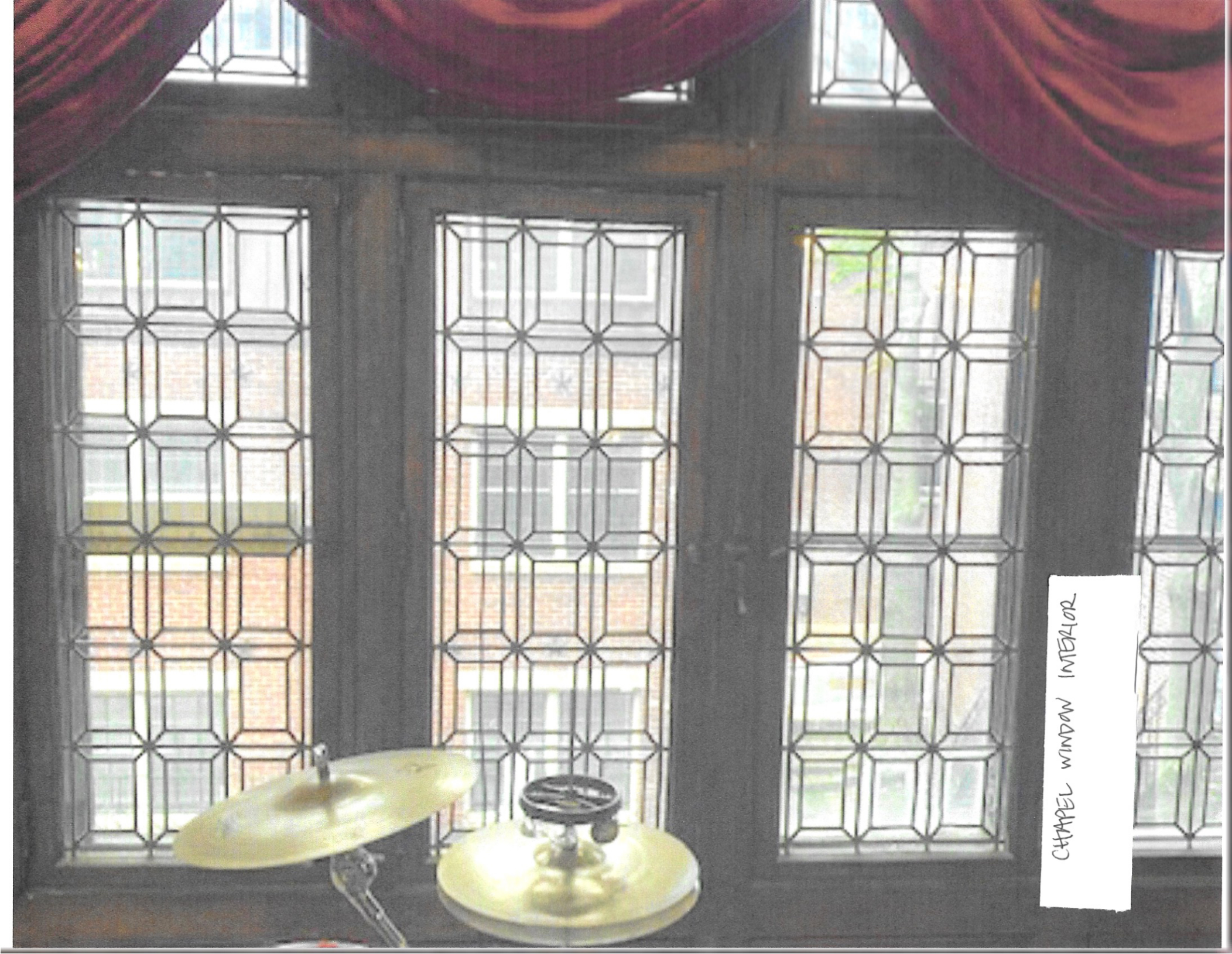
CHAPEL WINDOW EXTERIOR
EXISTING-STORM
TEMPORARY PROTECTION

CHAPEL WINDOW EXTERIOR
EXISTING & STORM

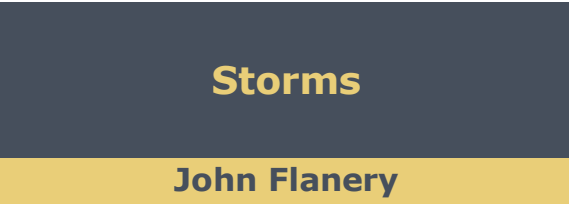


CHAPEL WINDOW EXTERIOR
STORM REPLACEMENT





CHAPEL WINDOW INTERIOR



Proposal to Furnish Material Only

Vivus Contracting Corp is pleased to submit the following proposal

For further details or questions please contact:
Shane Laporte
781-296-9848
shane@vivuscontracting.com

Project Name: Storms
Project Address:
Project Address:
Contact:
Phone:
Email:

Proposal Date:	12/13/19
Proposal Expiration Date:	1/12/20

Product Description				
Provia Concord Series Triple Track Storm Windows Black Frames				
Mark	Unit Description	Quantity (Q)	Unit Price	Extended Price
	25 1/2 x 59 1/4 DH Storms	15	\$124.00	\$1,860.00

		PRE-TAX TOTAL	\$1,860.00
MA	6.25%	STATE TAX	\$116.25
		TOTAL PRICE	\$1,976.25



Aluminum Storm Windows

Minimize Maintenance
& Lower Energy Costs!



**ProVia**[®]
THE PROFESSIONAL WAY

Why Use Storm Windows?

- Energy Efficient
- Maintenance Free
- Weather Protection
- Reduce Outside Noise
- Protect Original Windows
- Easy to Install - No Mess!*

Details That Count

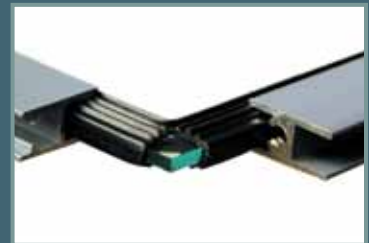
- Custom-built to your specifications
- Constructed of heavy-duty, extruded aluminum for long life and structural integrity
- Creates a dead air space that helps block energy transfer
- Complement your home with one of 16 beautiful colors
- Low-E and other glass options available
- Lifetime Limited Transferable Warranty

* The basic installation of ProVia Storm Windows is excluded by definition from the U.S. EPA Lead-Based Repair, Replace and Painting Program (RRP Rule).



Our storm windows are designed to be installed over existing windows having sloped sills and are not intended to be used as a primary window.

Regardless of application, product warranty does not cover issues such as leaking and condensation.



Wrap around marine glazing seals glass firmly into sash and makes glass replacement easy

Why Choose a Low-E Window?

Save Money and get Quick Payback!

Over 800,000 homes annually have storm windows installed¹, with virtually all having clear uncoated glass, reducing the heating load by only 13% with a 10 year simple payback².

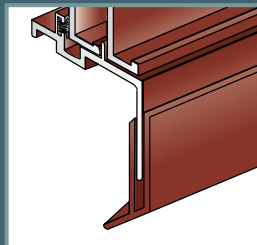
In a recent Chicago study, Low-E storm windows showed marked improvement over the clear glass benefits amounting to an average of 21% heat load reduction and an average payback of 4.5 years².

- Cost effective alternative to total window replacement
- Warmer in winter; average of 21% heat load reduction²
- Cooler in summer; reduces solar heat gain

¹ NAHB Research Center, 2006 Consumer Practices Survey, 2006
² S. Craig Drumheller - NAHB Research Center, Christian Kohler - Lawrence Berkeley National Laboratory, Stefanie Minen - Utlivate Technologies, Field Evaluation of Low-E Storm Windows, 2007



Anti-bow pins ensure sashes will resist bowing under heavy wind loads (double hung only)



Adjustable 1" bottom expander simplifies installation for out of square openings and is weeped for drainage (except on #140 picture models)



Nylon pivot pins ensure smooth sash operation (double hung only)



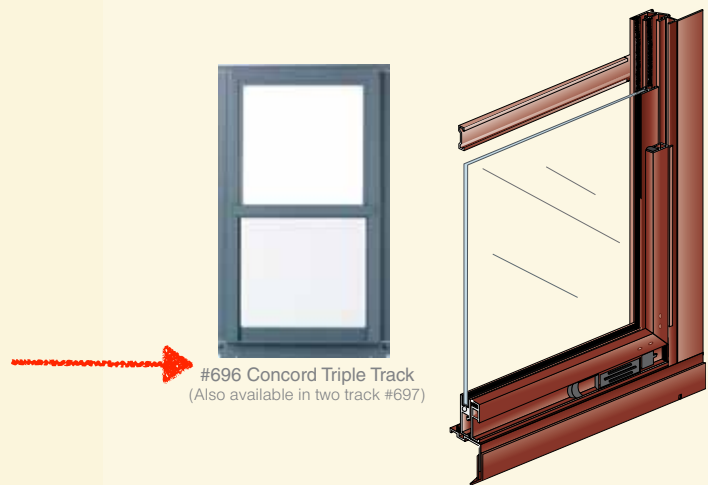
Heavy-duty sash interlock seals out the elements (double hung & sliders)

Town & Country

Double Hung Windows

Concord

Double Hung Windows



FEATURES & BENEFITS

- Triple track windows feature an inside operating half screen, while double track windows feature a half screen that is housed under the exterior sash
- Keep out the cold and heat with full perimeter weatherstripping
- Additional structural strength with the mid-window stabilizer bar
- Cleaning is made easy with the removable sashes and half screen
- Teflon® coated springs and electrostatic coating on latch bolts create a smooth latch operation
- Safely adjust the amount of ventilation with ratcheted sash stops every 1" on top and bottom sashes



Mitered frame corners provide superior strength and beauty. For extra elegance we have a contoured master frame.

FEATURES & BENEFITS

- Triple track windows feature an inside operating half screen, while double track windows feature a half screen that is housed under the exterior sash (also available with optional external full screen)
- Keep out the cold and heat with full perimeter weatherstripping
- Additional structural strength with the mid-window stabilizer bar
- Cleaning is made easy with the removable tilt-in sashes and half screen
- Teflon® coated springs and electrostatic coating on latch bolts create a smooth latch operation
- Safely adjust the amount of ventilation with ratcheted sash stops every 1" on top and bottom sashes



Butt frame corners give this window exceptional strength. The square frame also creates a clean contemporary look.

NEW

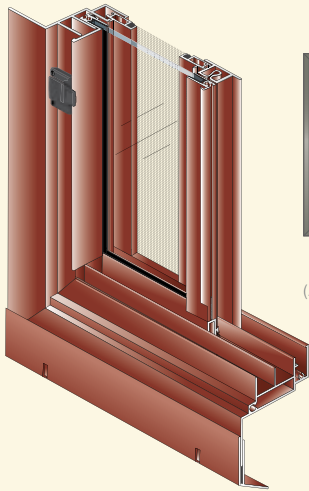


New and Improved Latch Bolt Design

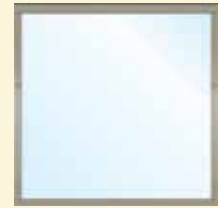
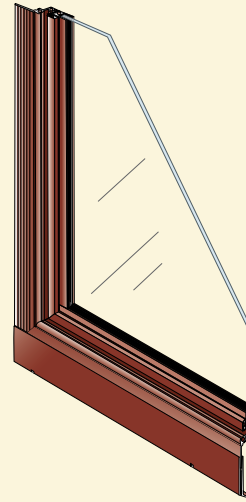
Sash bolt latches have been enlarged and re-designed with improved durability and functionality.

Swivel sash keys and sash guides have been re-designed for improved functionality and are now color matched to sash bolt latches.





#423 Valley Forge
Exterior Three-Lite Slider
(Also available in #422 two-lite slider)



#240 Clinton One-Lite
Picture Window

FEATURES & BENEFITS

- Mitered frame corners provide superior strength and beauty
- Available in two or three-lite models (3-lite available in $\frac{1}{4}$ - $\frac{1}{2}$ - $\frac{1}{4}$, $\frac{1}{3}$ - $\frac{1}{3}$ - $\frac{1}{3}$ or custom)
- Hollow sill construction for additional strength and drainage control
- Full length pull rail with spring loaded latches
- Long-life Delrin® rollers with stainless steel housing provide long-lasting smooth operation
- Screens over 40" in height include a stabilizer bar

FEATURES & BENEFITS

- Mitered frame corners provide superior strength
- Available with inside or outside removable sash
- Sash clips for removable screen and sash
- Full perimeter weatherstripping
- Available in select models 1, 2, 3, or 4 lite units
- Architectural shapes available as special order with additional lead time (See page 4 for more details.)
- Also available in 140 and 630 styles (See Price List for details.)



Choose Your Color

Our oven-baked finishes are backed by a Lifetime Limited Warranty for lasting beauty and low maintenance. These finishes are also available on ProVia Storm Doors, Aluminum Replacement Windows and Entry Doors.

Featured Colors

Snow Mist
Café Cream
Chateau
Sandpiper Beige
Sandstone
Sterling Gray
Clay
Geneva Blue
Forest Green
Mountain Berry
Rustic Bronze
Tudor Brown
Coal Black

Limited Colors

Primrose Yellow
Enzian Blue
Vallis Red

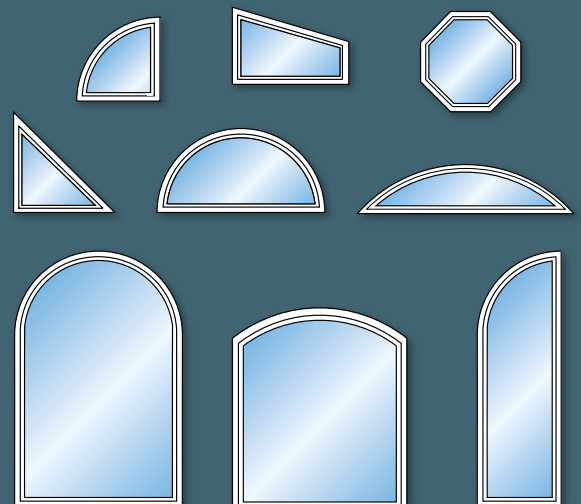
Additional 2 week lead time required when using Limited Colors on Aluminum Storm Windows.



Refer to our color selector for accurate color representation.

Nothing adds drama to a home like specialized architectural shapes!

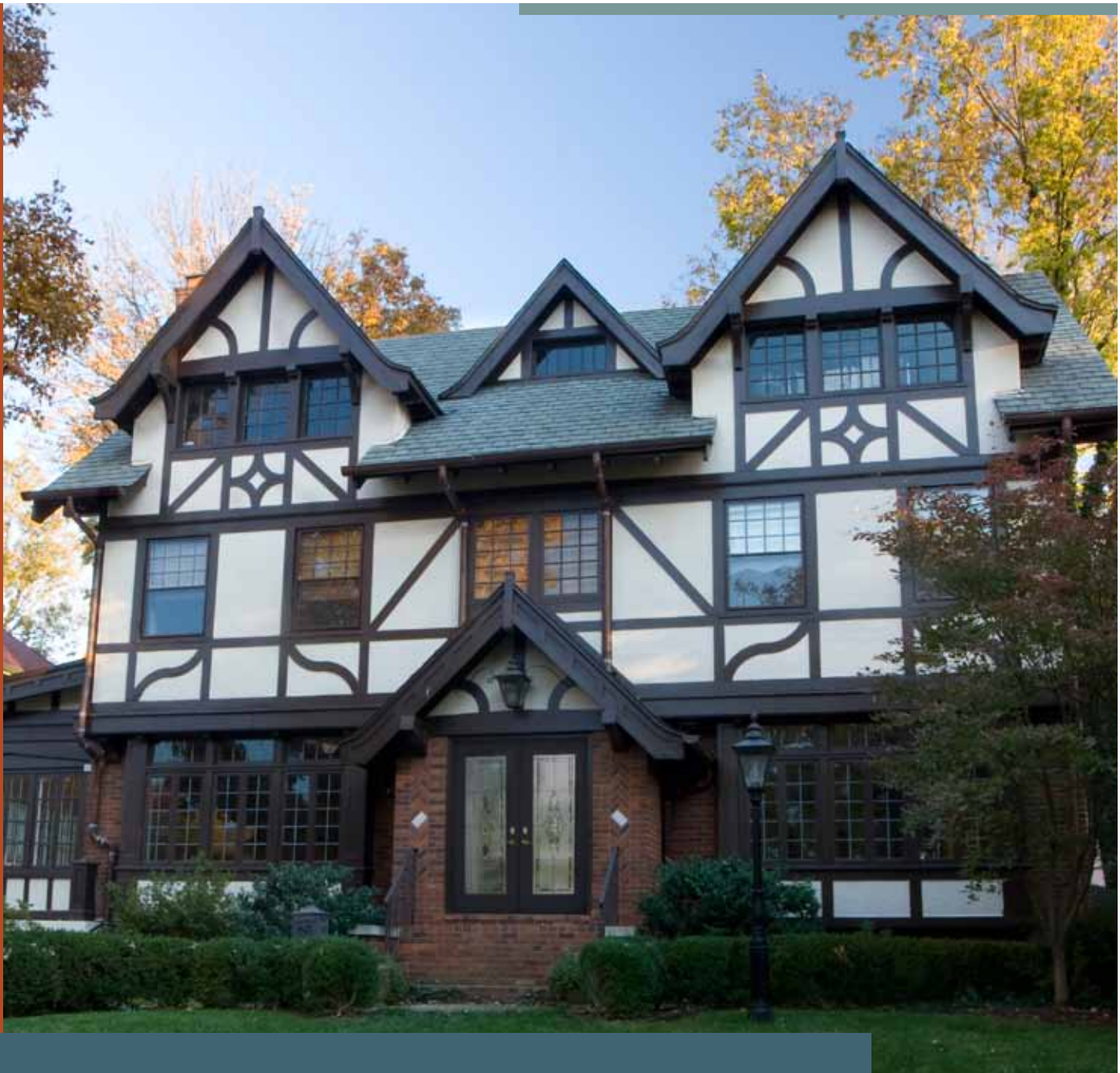
Customized architectural shapes are available in a wide variety of styles.





Storm Window Advantages

	Town & Country Double Hung 520/527	Concord Double Hung 696/697	Valley Forge 2-Lite Slider 422	Valley Forge 3-Lite Slider 423	Clinton Outside Removable 140/240	Clinton Inside Removable 630
Corner Construction	Mitered & Screwed	Butted & Screwed	Mitered & Screwed	Mitered & Screwed	Mitered & Screwed	Mitered & Staked
Installation Screws	Color Matched	Color Matched	Color Matched	Color Matched	Color Matched	Color Matched
Frame Profile	Contoured with Vinyl Liner	Square	Square	Square	Square	Contoured
Glazing	Wrap-Around Marine	Wrap-Around Marine	Wrap-Around Marine	Wrap-Around Marine	Wrap-Around Marine	Wrap-Around Marine
Fiberglass Screen	Half	Half (Full screen optional)	Half	Two	Full Optional	Full
Weatherstripping	Full Perimeter	Full Perimeter	Full Perimeter	Full Perimeter	Full Perimeter	Full Perimeter
Mid-Window Stabilizing Bar	Horizontal	Horizontal	Vertical	Vertical	N/A	N/A



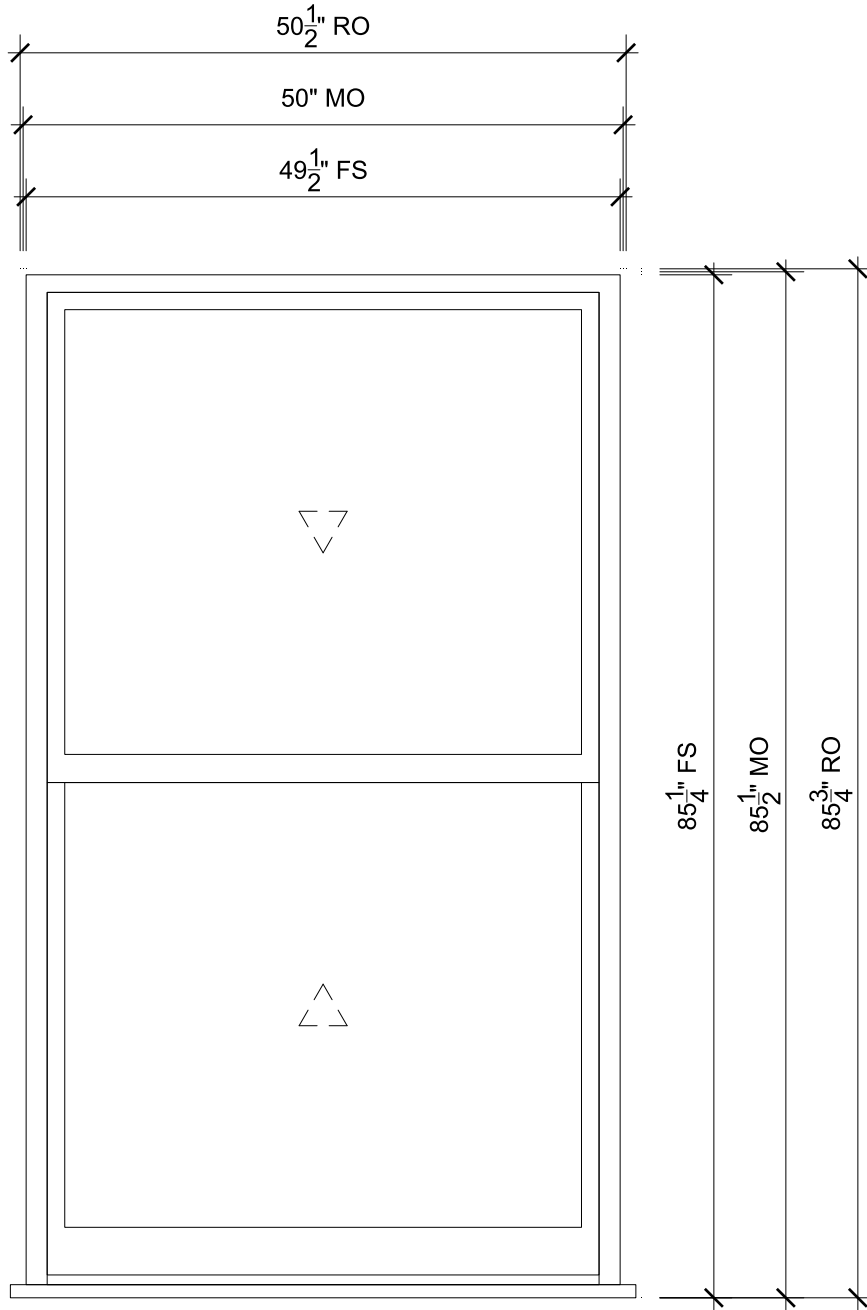
DISTRIBUTED BY:



THE PROFESSIONAL WAY

Doors • Windows • Siding • Stone
www.proviaproducts.com

© 2013 ProVia
P-MK-00070-14 • 11/13 15M



A
 SCALE: 3/4" = 1'-0"



Head



Jamb



Sill



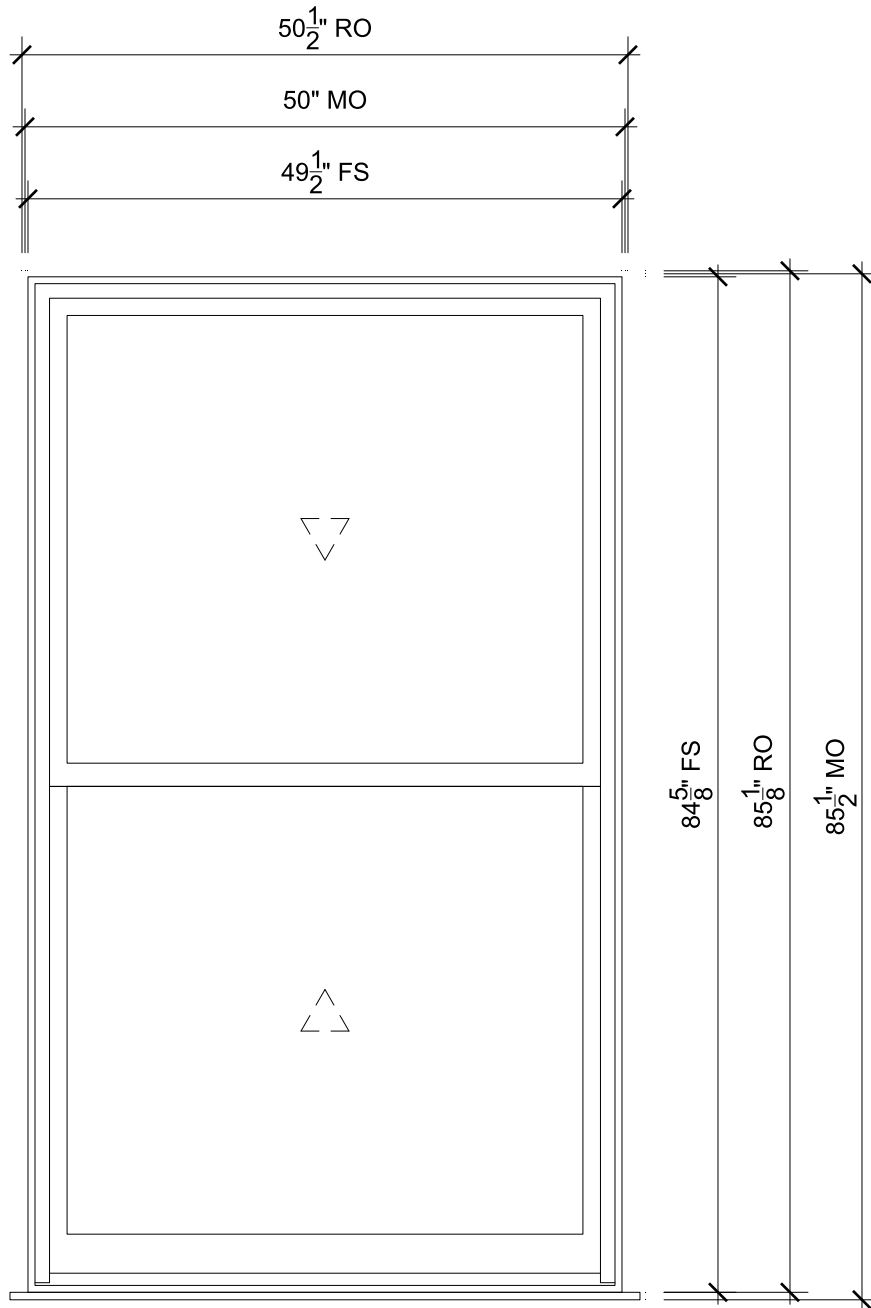
Checkrail



PROJ/JOB: Flannery / 46 Beacon
 DIST/DEALER: NEW ENGLAND BUILDING SUPPLY
 DRAWN: PATRICK MAGUIRE
 QUOTE#: DWHVDA2 PK VER: 0003.07.00

CREATED: 04/15/2021 REVISION:

SHEET
 1
 OF 10



B
 SCALE: 3/4" = 1'-0"

$\frac{1}{7}$ Head

$\frac{1}{8}$ Jamb

$\frac{1}{9}$ Sill

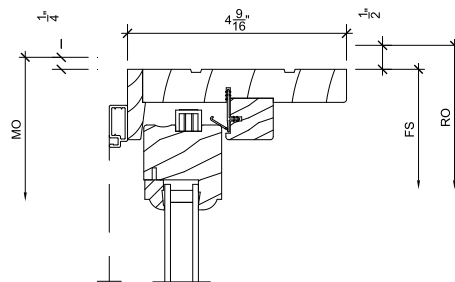
$\frac{1}{10}$ Checkrail



PROJ/JOB: Flannery / 46 Beacon
 DIST/DEALER: NEW ENGLAND BUILDING SUPPLY
 DRAWN: PATRICK MAGUIRE
 QUOTE#: DWHVDA2 PK VER: 0003.07.00

CREATED: 04/15/2021 REVISION:

SHEET
 2
 OF 10



1
3

Head

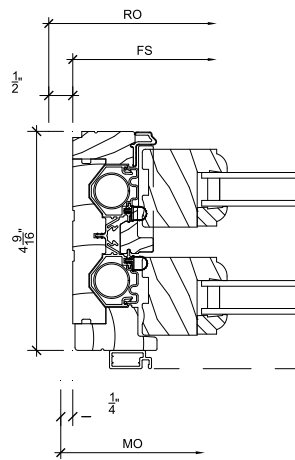
SCALE: 3" = 1'-0"



PROJ/JOB: Flannery / 46 Beacon
 DIST/DEALER: NEW ENGLAND BUILDING SUPPLY
 DRAWN: PATRICK MAGUIRE
 QUOTE#: DWHVDA2 PK VER: 0003.07.00

CREATED: 04/15/2021 REVISION:

SHEET
 3
 OF 10



1
4

Jamb

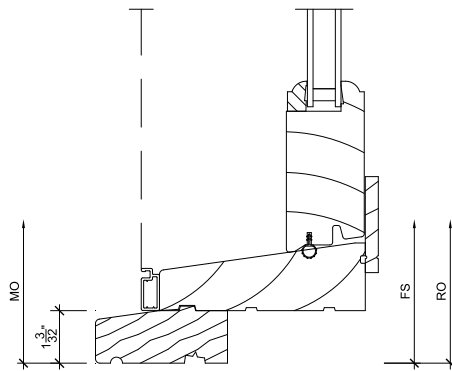
SCALE: 3" = 1'-0"



PROJ/JOB: Flannery / 46 Beacon
 DIST/DEALER: NEW ENGLAND BUILDING SUPPLY
 DRAWN: PATRICK MAGUIRE
 QUOTE#: DWHVDA2 PK VER: 0003.07.00

CREATED: 04/15/2021 REVISION:

SHEET
4
OF 10



1
5

Sill

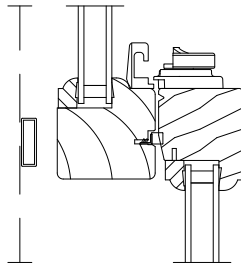
SCALE: 3" = 1'-0"



PROJ/JOB: Flannery / 46 Beacon
 DIST/DEALER: NEW ENGLAND BUILDING SUPPLY
 DRAWN: PATRICK MAGUIRE
 QUOTE#: DWHVDA2 PK VER: 0003.07.00

CREATED: 04/15/2021 REVISION:

SHEET
5
OF 10



1
6

Checkrail

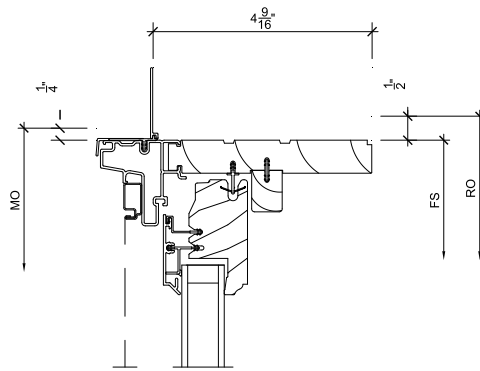
SCALE: 3" = 1'-0"



PROJ/JOB: Flannery / 46 Beacon
DIST/DEALER: NEW ENGLAND BUILDING SUPPLY
DRAWN: PATRICK MAGUIRE
QUOTE#: DWHVDA2 PK VER: 0003.07.00

CREATED: 04/15/2021 REVISION:

SHEET
6
OF 10



1
7

Head

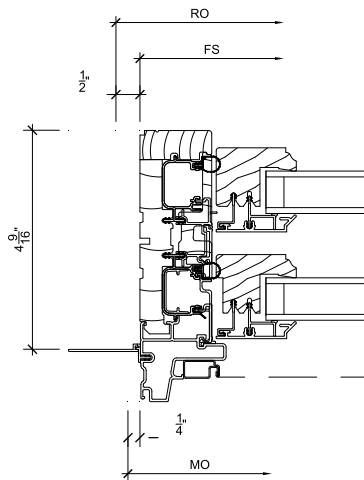
SCALE: 3" = 1'-0"



PROJ/JOB: Flannery / 46 Beacon
 DIST/DEALER: NEW ENGLAND BUILDING SUPPLY
 DRAWN: PATRICK MAGUIRE
 QUOTE#: DWHVDA2 PK VER: 0003.07.00

CREATED: 04/15/2021 REVISION:

SHEET
7
OF 10



1
8

Jamb

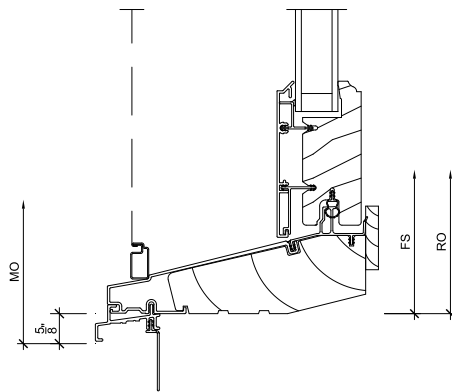
SCALE: 3" = 1'-0"



PROJ/JOB: Flannery / 46 Beacon
 DIST/DEALER: NEW ENGLAND BUILDING SUPPLY
 DRAWN: PATRICK MAGUIRE
 QUOTE#: DWHVDA2 PK VER: 0003.07.00

CREATED: 04/15/2021 REVISION:

SHEET
8
OF 10



1
9

Sill

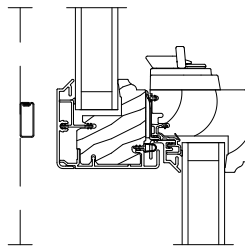
SCALE: 3" = 1'-0"



PROJ/JOB: Flannery / 46 Beacon
 DIST/DEALER: NEW ENGLAND BUILDING SUPPLY
 DRAWN: PATRICK MAGUIRE
 QUOTE#: DWHVDA2 PK VER: 0003.07.00

CREATED: 04/15/2021 REVISION:

SHEET
 9
 OF 10



1
10

Checkrail

SCALE: 3" = 1'-0"



PROJ/JOB: Flannery / 46 Beacon
DIST/DEALER: NEW ENGLAND BUILDING SUPPLY
DRAWN: PATRICK MAGUIRE
QUOTE#: DWHVDA2 PK VER: 0003.07.00

CREATED: 04/15/2021 REVISION:

SHEET
10
OF 10