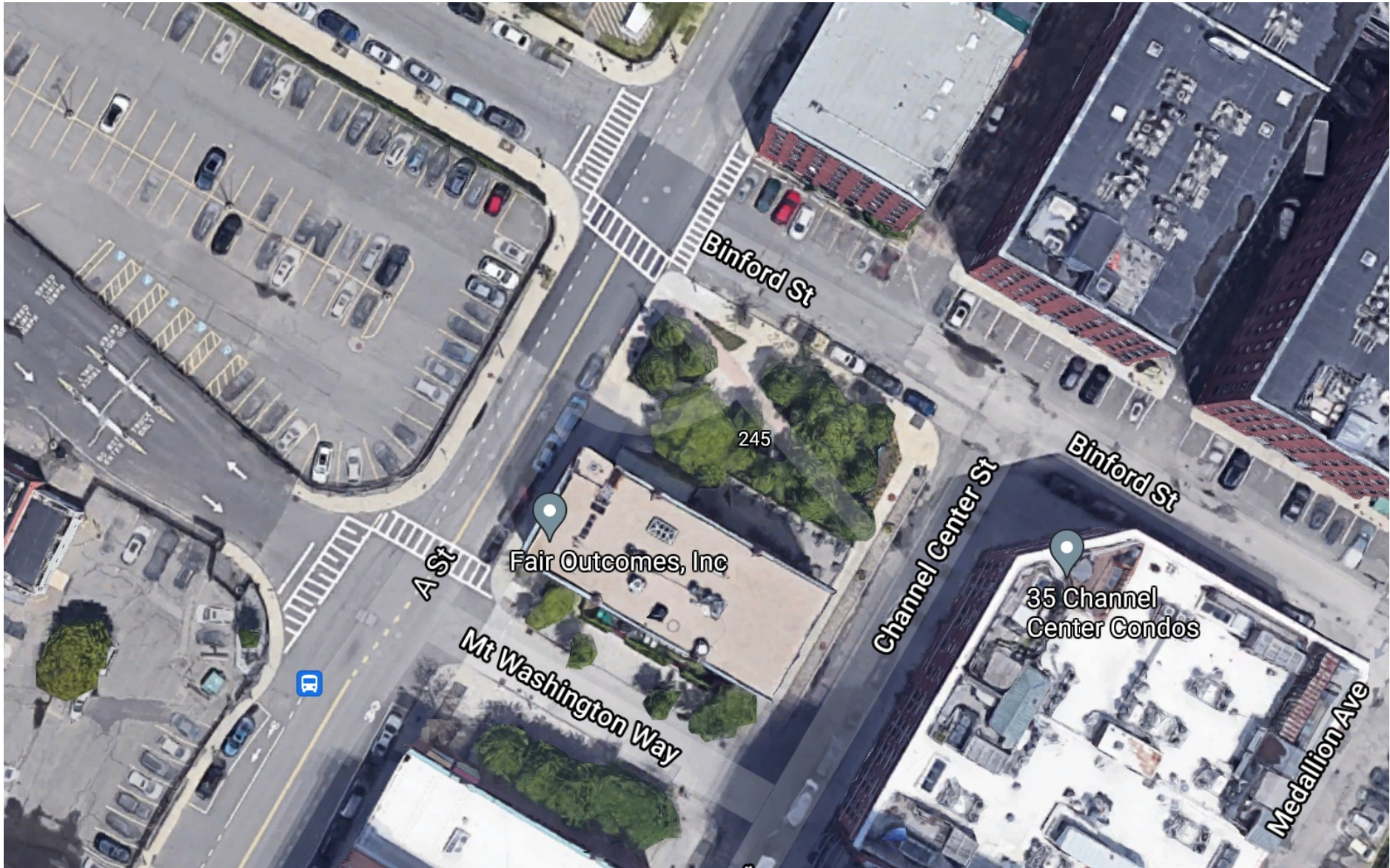




40 Channel Center



Fort Point District Map



Site Map

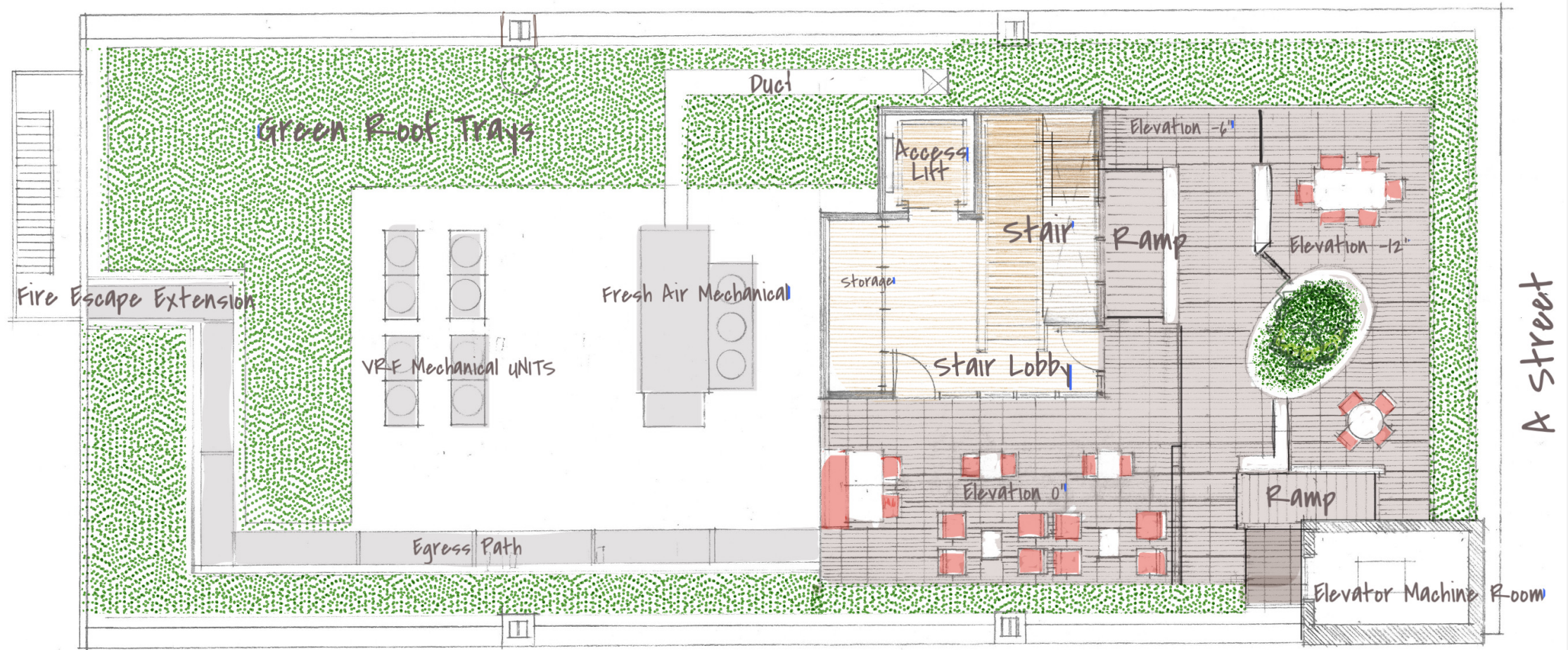


Minor Work During Renovation



Signage, Minor Masonry Repairs, Front Step Restoration





Roof Plan

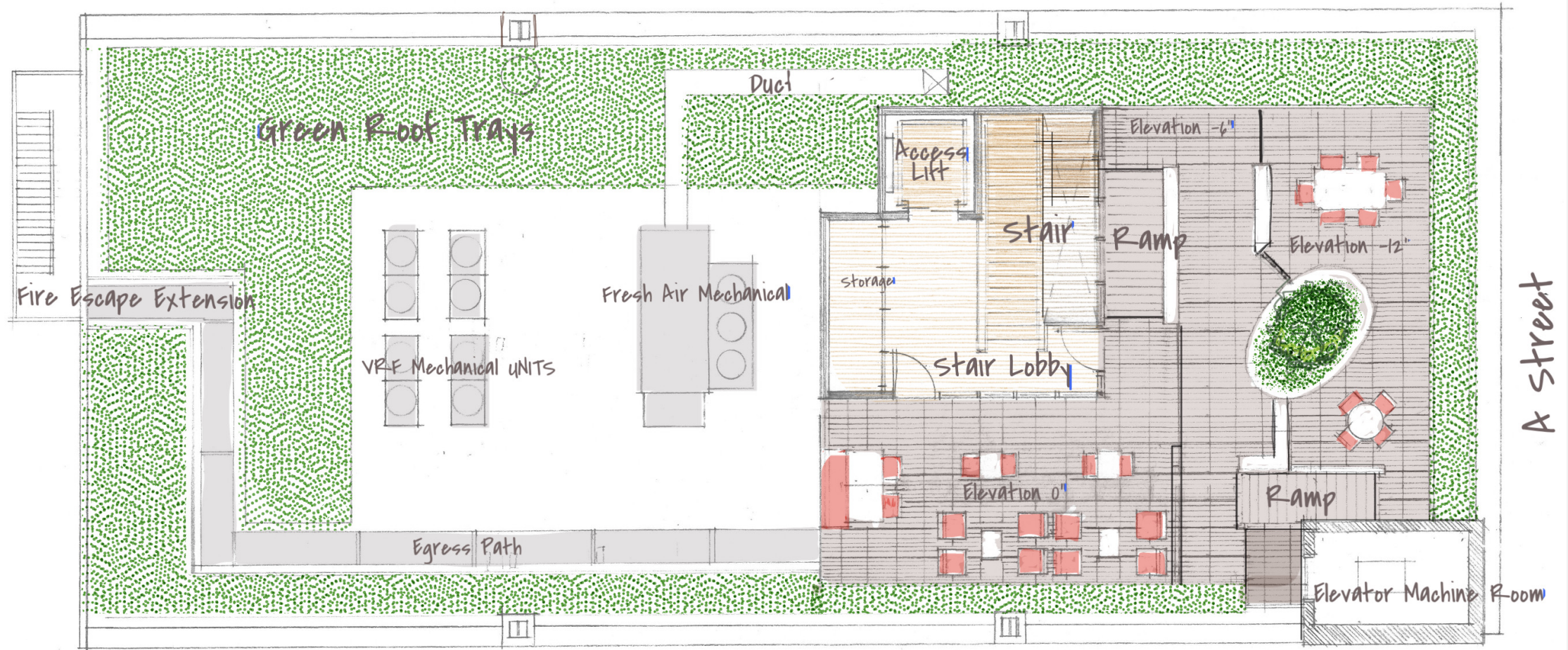


Existing Roof Top Equipment to be Replaced



Existing Elevator Machine Room





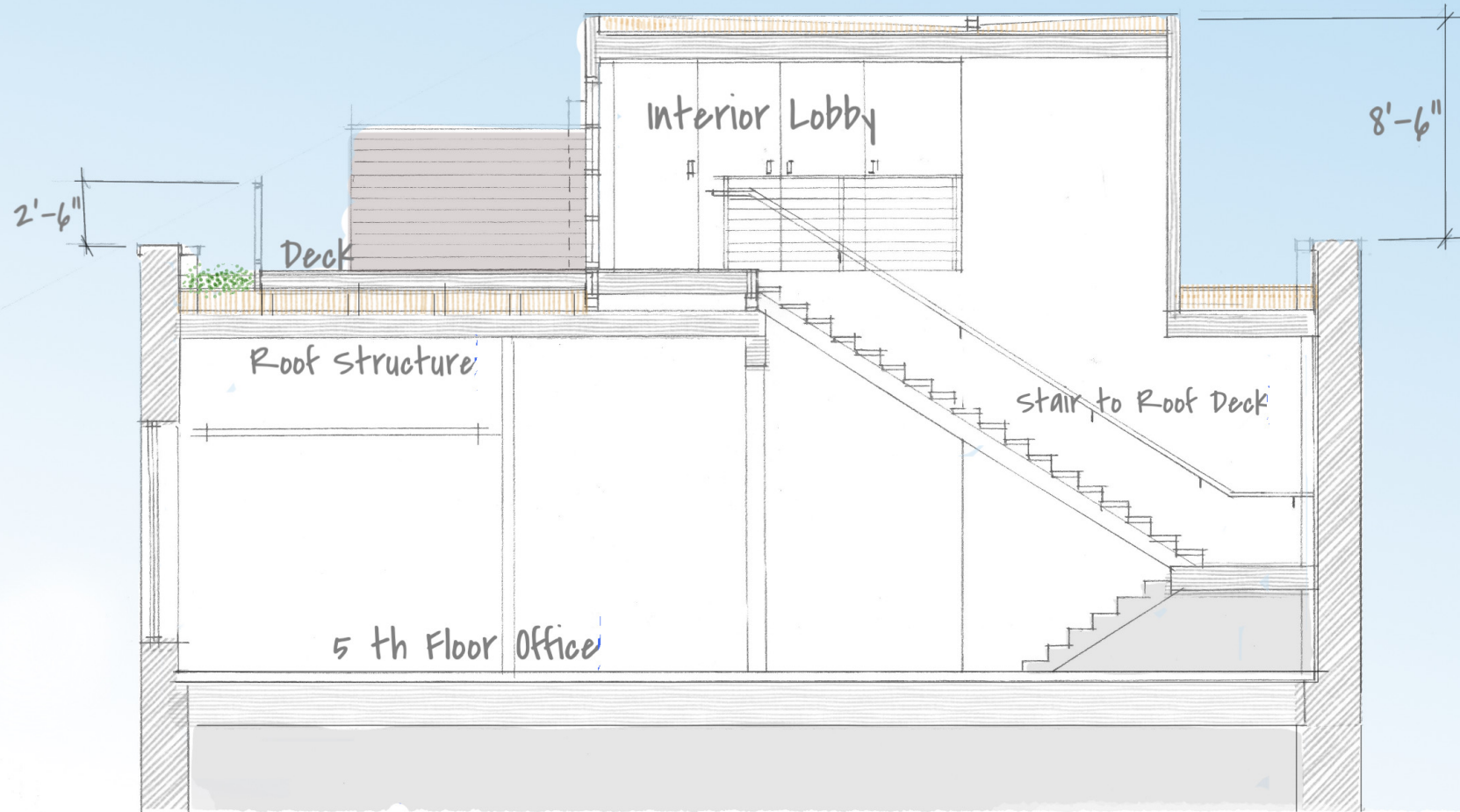
Roof Plan



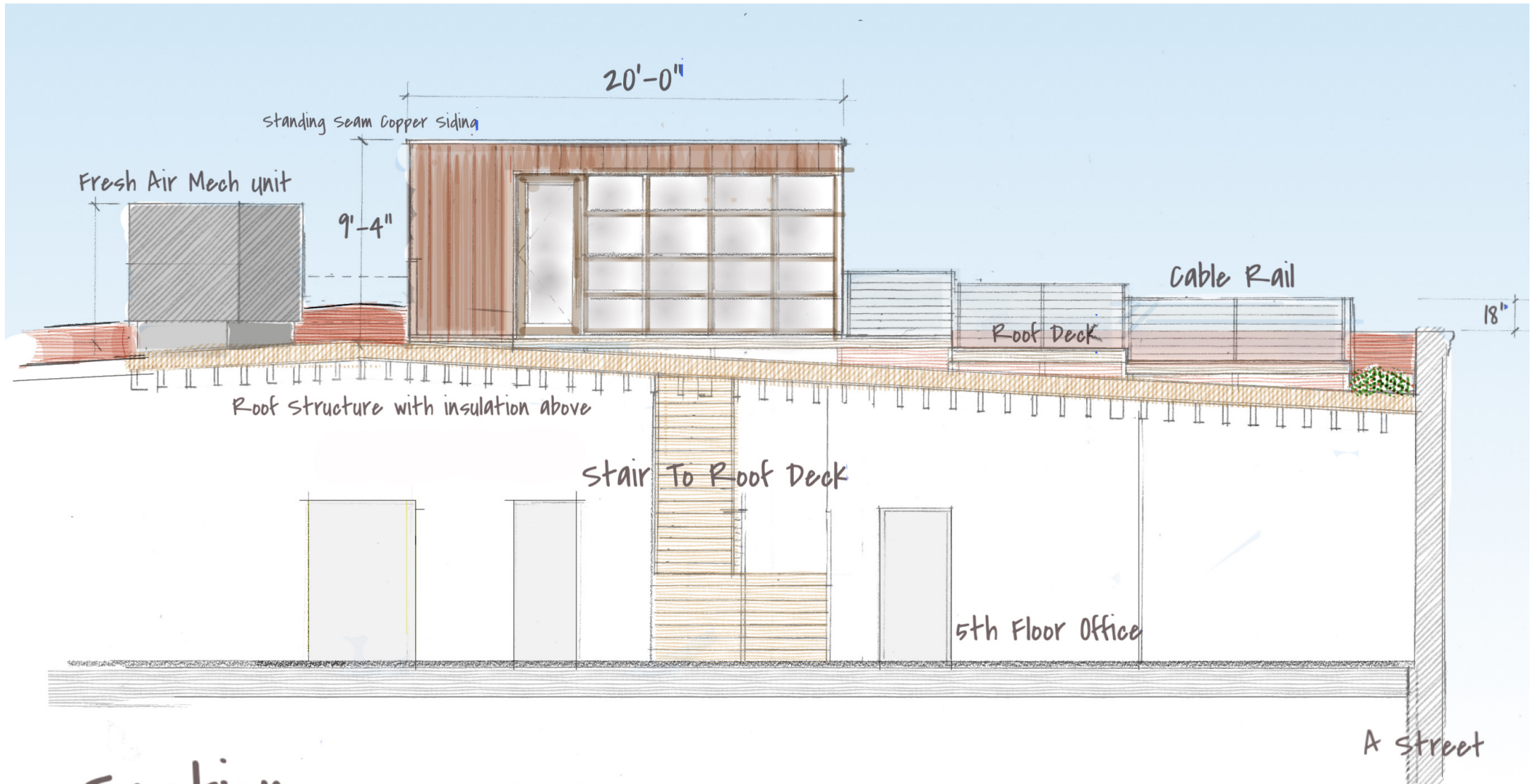
Fire Escape View From Channel Center Street



Precedent Examples of Fire Escapes to the Roof in the Fort Point Channel District



Section side to side.



Section Back to front.

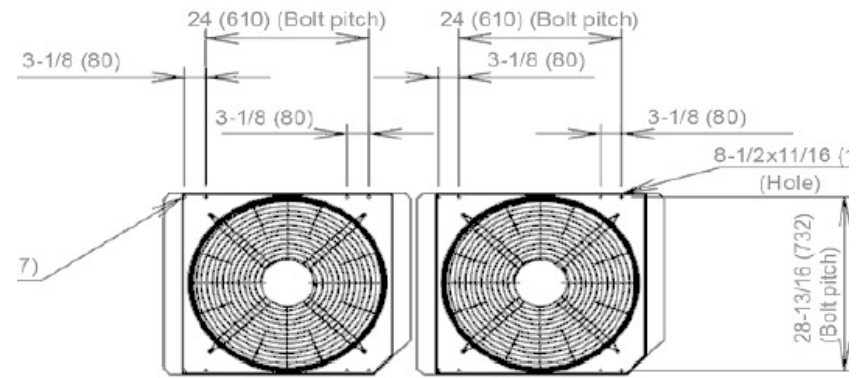
Prominent Materials



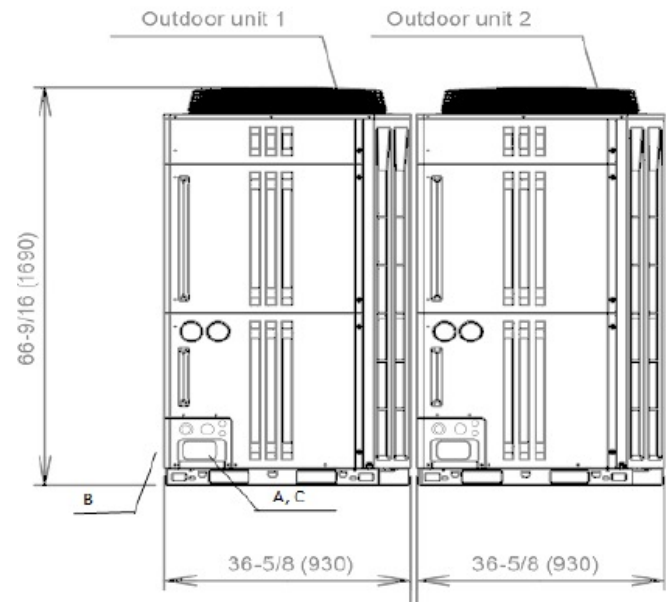
Copper Standing Seam Wall Panel



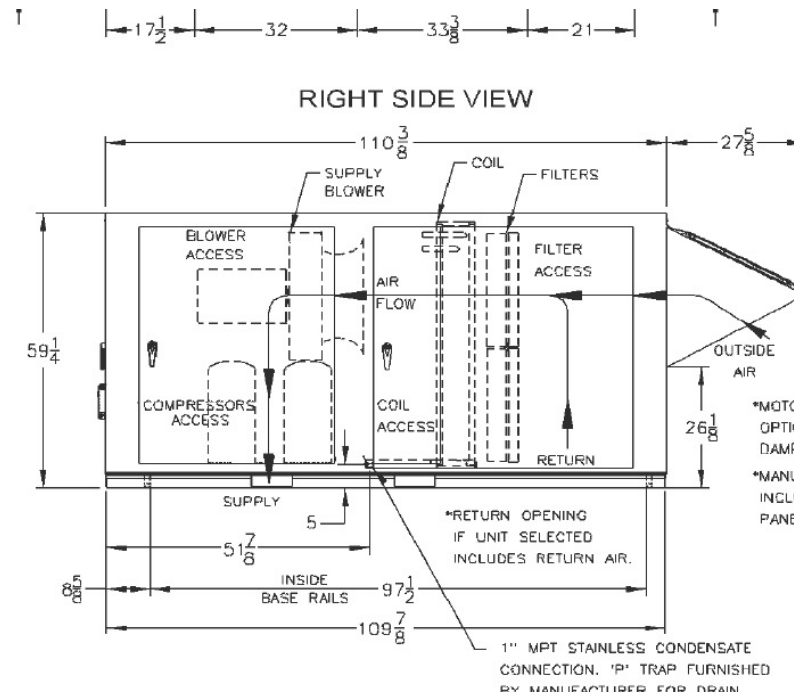
Cable Rail on Steel Frame painted Medium Grey



Top view

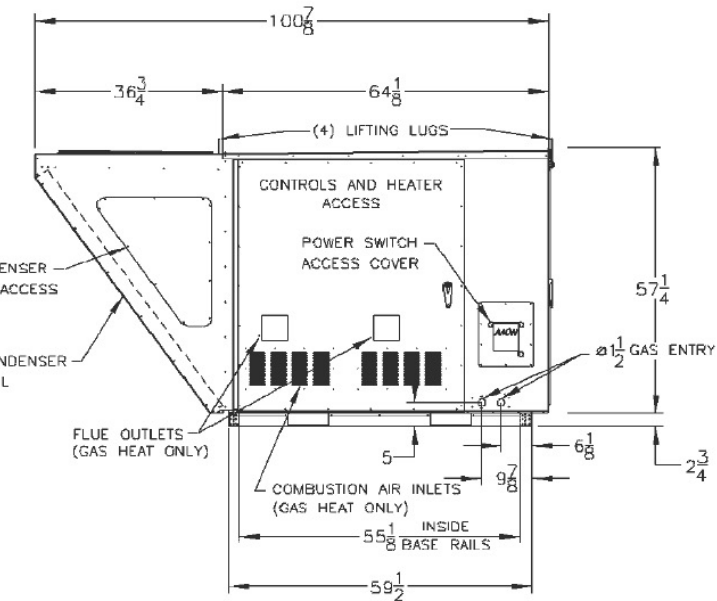


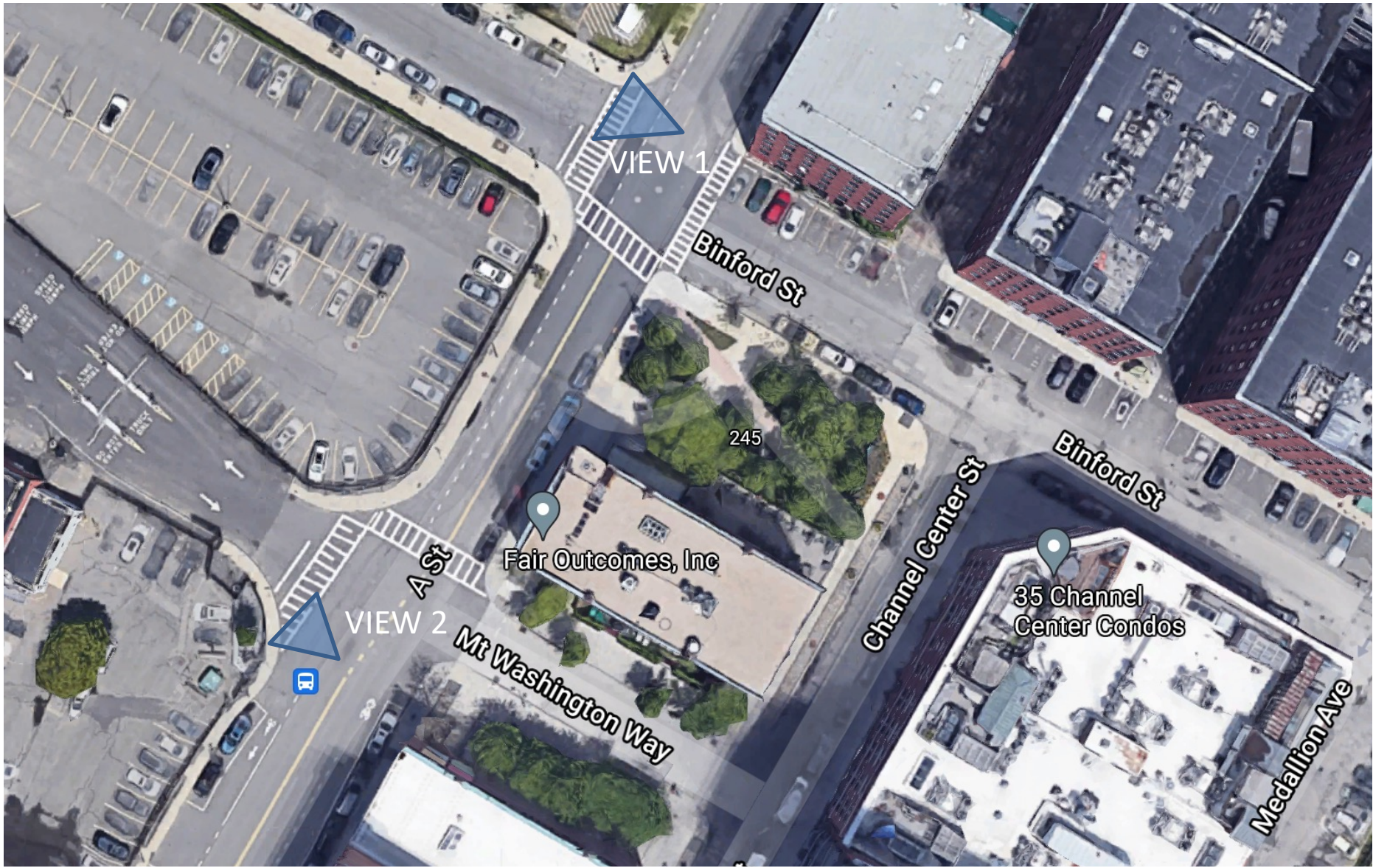
Front view



RIGHT SIDE VIEW

FRONT VIEW





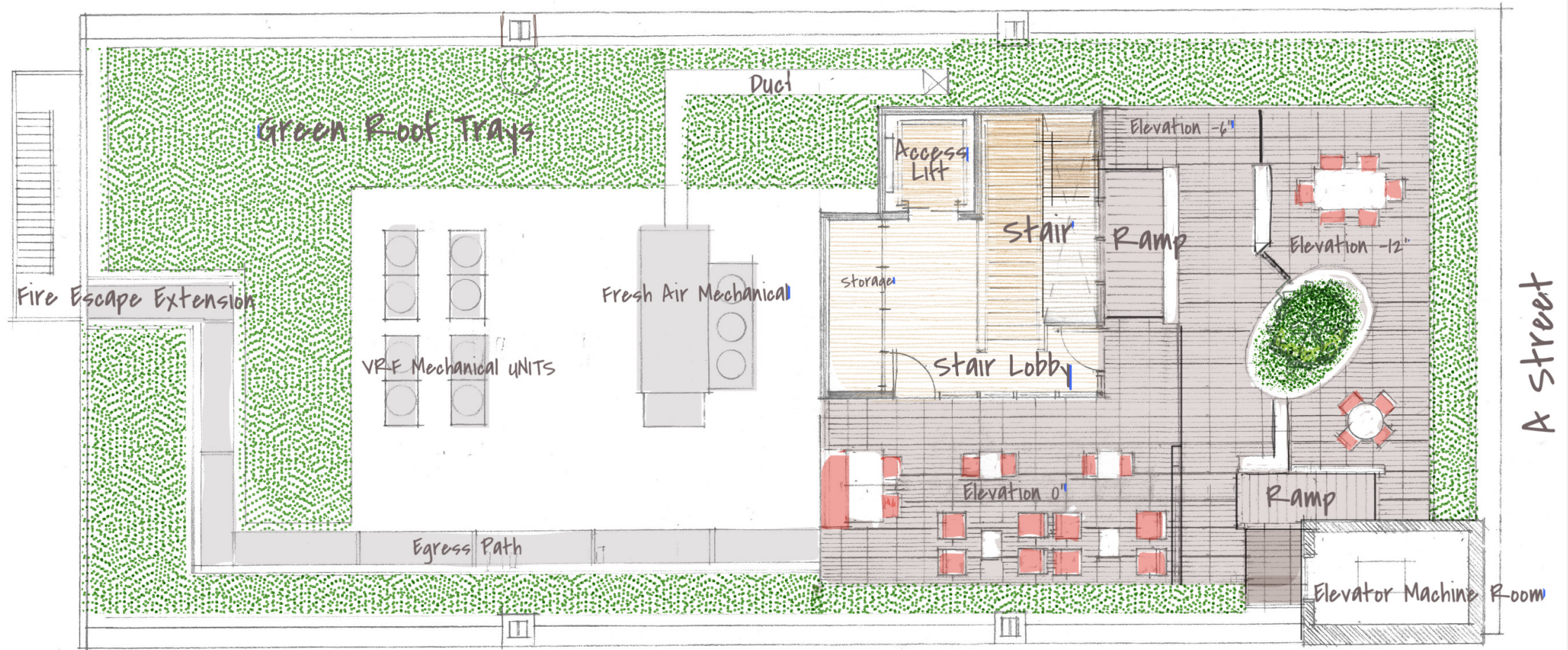
Site Map of 3D Model Views



View 1 - From A and Binford Streets.



View 2 - From A and Mt Washington Way



Roof Plan