



## THE HARVARD MUSICAL ASSOCIATION

57<sup>A</sup> CHESTNUT STREET

BOSTON, MASSACHUSETTS 02108

Telephone and Facsimile: 1-617-523-2897 email: [info@hmaboston.org](mailto:info@hmaboston.org)

The Association requests permission to replace five 1970s-vintage double-hung sashes with Marvin Ultimate examples that duplicate the patterns of the fenestration.

In the case of the installation of the two replacements in the fourth-floor brick façade on Chestnut Street., we specify integral built-up sills. The specs call for a cream color matching the existing. We will strip and repaint existing brick mold.

In the process of replacing the three sets in the dormer, we proposed to replace the surrounding side legs of the flat casings and cover with dark painted copper to match existing. We also propose to spec the windows to include built-up sills. We specify matching the existing dark grey color for exterior parts of these three.

It's worth noting that the Harvard Musical Association structure's principal fenestration in its Chestnut Street façade dates from a major renovation in 1914. We have taken great care in maintaining as original, the triple-hung Gothic-mullioned windows on the second floor and the arts and crafts style casement windows on the first floor.

The subject windows in this application have no historic value and are in very poor repair.

## Existing Conditions at 57A Chestnut Street



**Chestnut Street Façade Above**



**Detail of decrepitude at left**

# West Cedar Street Facade

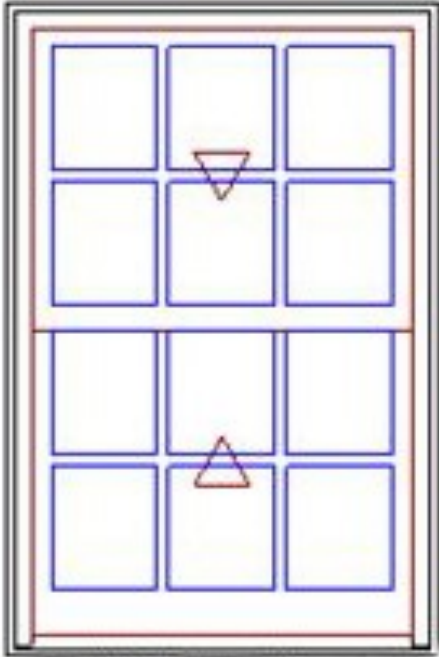




Interior shots



## Two Marvin Ultimate Window Systems as Follows



Six over six with muntin, mullions and internal dividing grill

RO 40.5" X 60

Width: 35 29/32" Height: 24 7/7"

Net Clear Opening: 6.2 SqFt

Performance Information

U-Factor: 0.3

Solar Heat Gain Coefficient: 0.27

Visible Light Transmittance: 0.46

Condensation Resistance: 56

CPD Number: MAR-N-425-17180-00001

ENERGY STAR: NC

Coconut Cream Clad Exterior Bare Pine Interior  
Ultimate Double Hung G2

CN 2620

Rough Opening 40.5" X 60"

Top Sash

Cream Clad Sash Exterior

Bare Pine Sash Interior

IG

Low E2 w/Argon

Stainless Perimeter and Spacer Bar

7/8" SDL - With Spacer Bar - Stainless Rectangular - S

Standard Cut 3W2H Bronze Clad Ext - Bare Pine Int

Ogee Interior Glazing Profile

Bottom Sash

Cream Clad Sash Exterior

Bare Pine Sash Interior

IG

Low E2 w/Argon

Stainless Perimeter and Spacer Bar

7/8" SDL - With Spacer Bar - Stainless Rectangular - S

Standard Cut 3W2H Bronze Clad Ext - Bare Pine Int

Ogee Interior Glazing Profile

Cream Interior Weather Strip Package

Cream Exterior Weather Strip Package

Bronze Sash Lock

Bronze Top Sash Strike Plate Assembly Color

Aluminum Screen

Bronze Surround

Charcoal Fiberglass Mesh

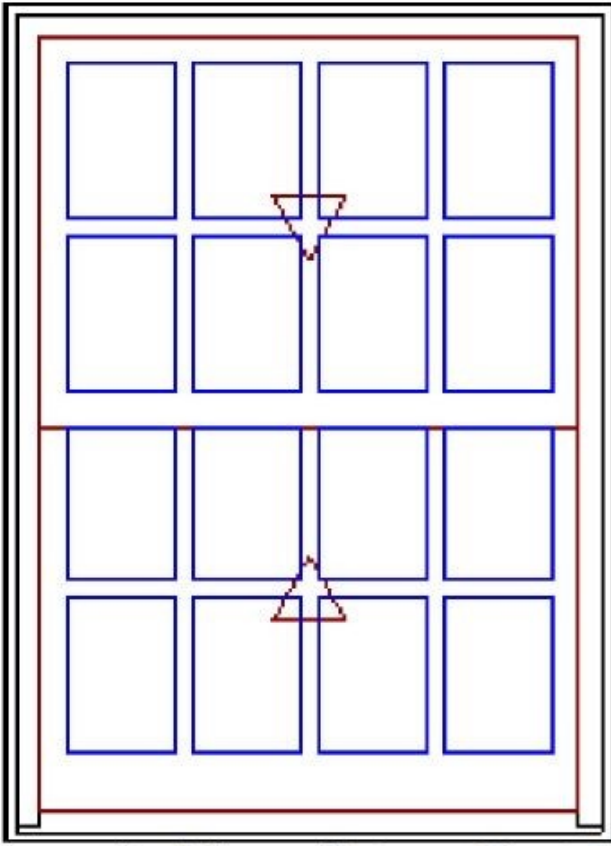
\*\*\*Screen/Combo Ship Loose

4 9/16" Jamb

Coconut Cream A217 Simulated Thick subsill

Nailing Fin

## Three Marvin Ultimate Eight Over Eight Sash Systems



RO 34" X 45"

Width: 29 13/32" Height: 17 3/16"

Net Clear Opening: 3.51 SqFt

Performance Information

U-Factor: 0.3

Solar Heat Gain Coefficient: 0.27

Visible Light Transmittance: 0.46

Condensation Resistance: 56

CPD Number: MAR-N-425-17180-00001

ENERGY STAR: NC

Charcoal Grey Clad Exterior Bare Pine Interior Ultimate Double Hung G2

CN 2620

Rough Opening 32 1/4" X 48"

Top Sash

Charcoal Grey Clad Sash Exterior

Bare Pine Sash Interior

IG

Low E2 w/Argon

Stainless Perimeter and Spacer Bar

7/8" SDL - With Spacer Bar - Stainless Rectangular -

Standard Cut 3W2H Charcoal Grey Clad Ext - Bare Pine Int

Ogee Interior Glazing Profile

Bottom Sash

Charcoal Grey Clad Sash Exterior

Bare Pine Sash Interior

IG

Low E2 w/Argon

Stainless Perimeter and Spacer Bar

7/8" SDL - With Spacer Bar - Stainless Rectangular -

Standard Cut 3W2H Charcoal Grey Clad Ext - Bare Pine Int

Ogee Interior Glazing Profile

Cream Interior Weather Strip Package

Charcoal Grey Exterior Weather Strip Package

Bronze Sash Lock

Bronze Top Sash Strike Plate Assembly Color

Aluminum Screen

Bronze Surround

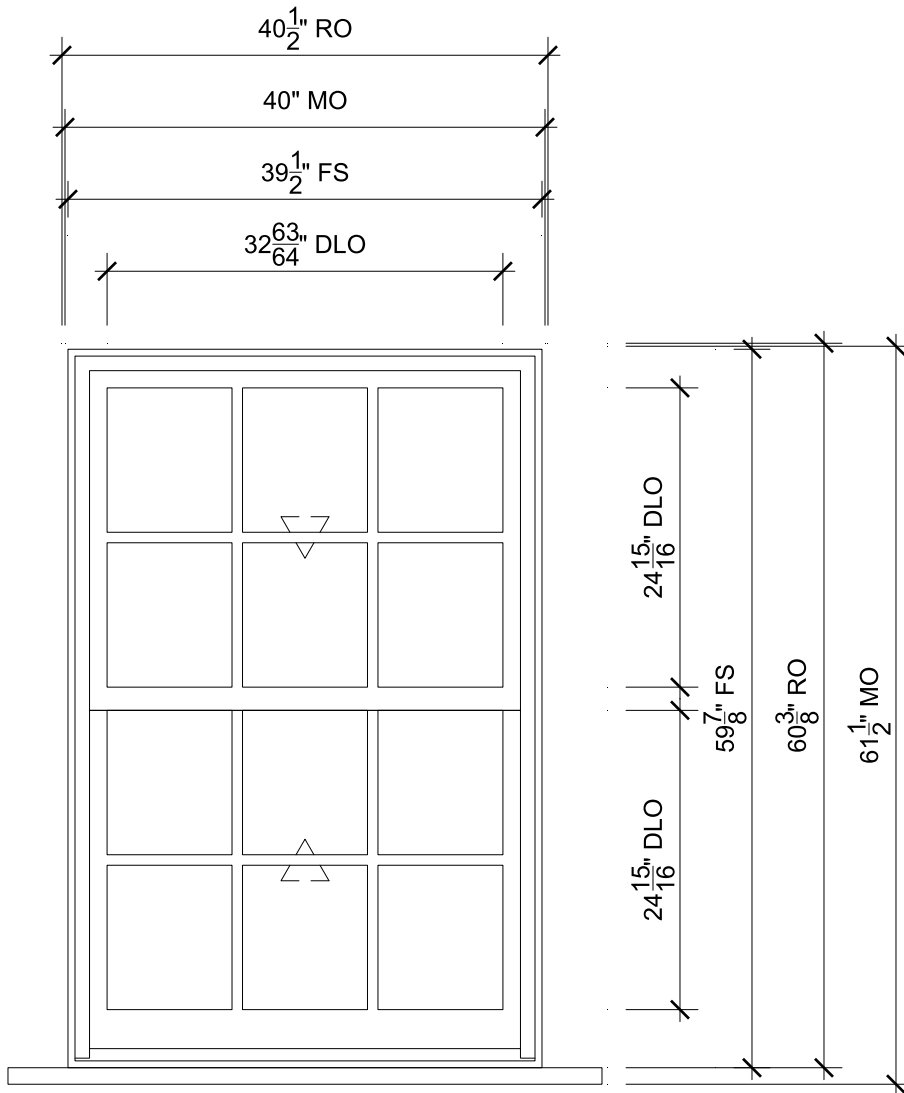
Charcoal Fiberglass Mesh

\*\*\*Screen/Combo Ship Loose

4 9/16" Jambs

Charcoal Grey A217 Simulated Thick subsill

Nailing Fin



**01**  
 SCALE: 3/4" = 1'-0"

- $\frac{1}{3}$  Head
- $\frac{2}{3}$  Jamb
- $\frac{3}{3}$  Sill
- $\frac{4}{3}$  Divided Lite
- $\frac{1}{4}$  Checkrail

## SPECIFICATIONS

Product Line: Ultimate  
 Unit Description: Double Hung G2



PROJ/JOB: Lee Eiseman - 3-4-21 / Lee Eiseman - 3-4-21  
 DIST/DEALER: J B SASH & DOOR CO INC  
 DRAWN: JIM CARNEY  
 QUOTE#: TJKJ8NL

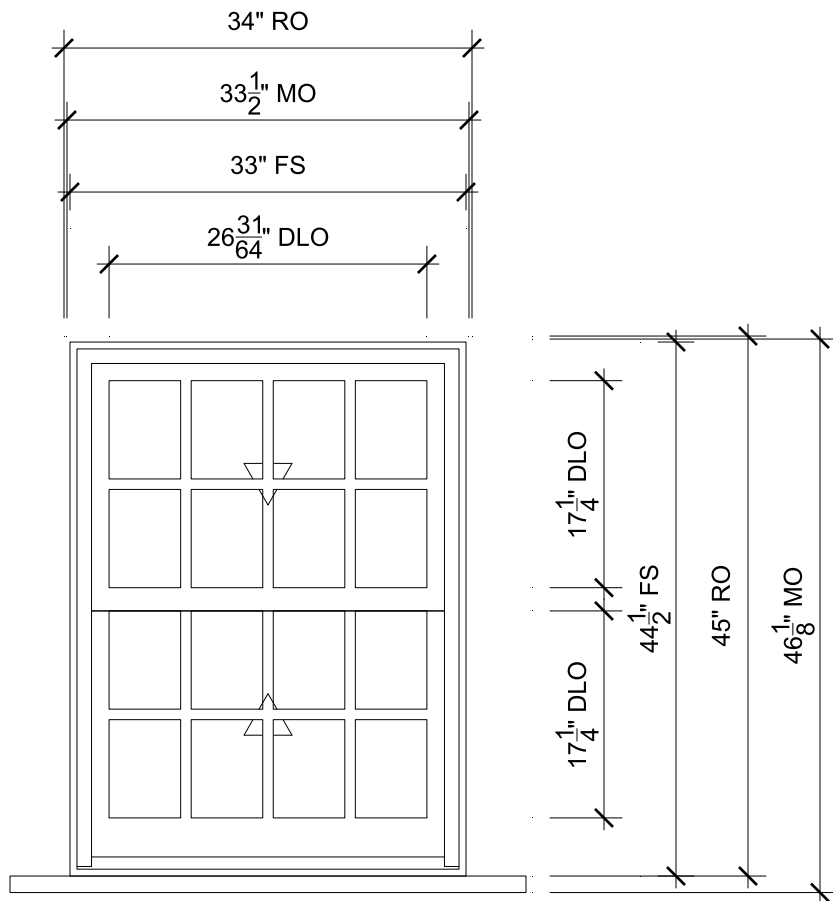
PK VER: 0003.07.00

CREATED: 03/04/2021

REVISION:

SHEET  
 1  
 OF 4





**02**

SCALE: 3/4" = 1'-0"

$\frac{1}{3}$  Head

$\frac{2}{3}$  Jamb

$\frac{3}{3}$  Sill

$\frac{4}{3}$  Divided Lite

$\frac{1}{4}$  Checkrail

## SPECIFICATIONS

Product Line: Ultimate

Unit Description: Double Hung G2



PROJ/JOB: Lee Eiseman - 3-4-21 / Lee Eiseman - 3-4-21  
 DIST/DEALER: J B SASH & DOOR CO INC  
 DRAWN: JIM CARNEY  
 QUOTE#: TJKJ8NL

PK VER: 0003.07.00

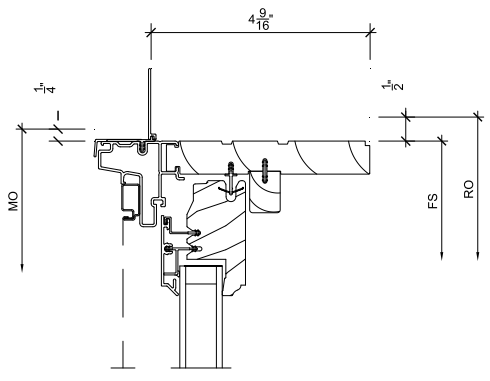
CREATED: 03/04/2021

REVISION:

SHEET

2

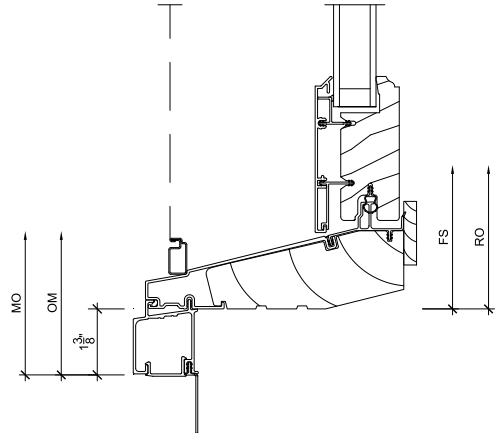
OF 4



1  
3

Head

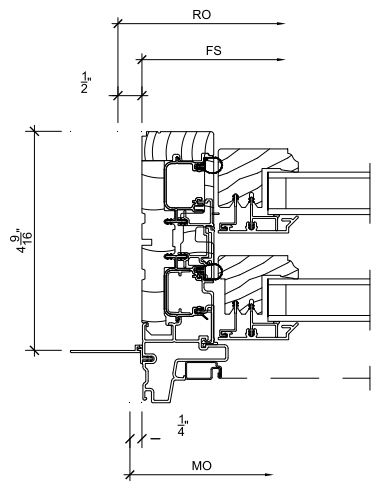
SCALE: 3" = 1'-0"



3  
3

Sill

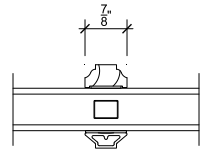
SCALE: 3" = 1'-0"



2  
3

Jamb

SCALE: 3" = 1'-0"



4  
3

Divided Lite

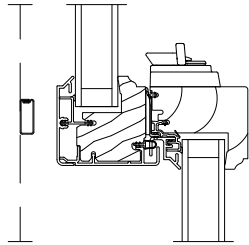
SCALE: 3" = 1'-0"



PROJ/JOB: Lee Eiseman - 3-4-21 / Lee Eiseman - 3-4-21  
 DIST/DEALER: J B SASH & DOOR CO INC  
 DRAWN: JIM CARNEY  
 QUOTE#: TJKJ8NL PK VER: 0003.07.00

CREATED: 03/04/2021 REVISION:

SHEET  
3  
OF 4



1  
4

**Checkrail**

SCALE: 3" = 1'-0"

3  
4

**NOT USED**

SCALE: 3" = 1'-0"

2  
4

**NOT USED**

SCALE: 3" = 1'-0"

4  
4

**NOT USED**

SCALE: 3" = 1'-0"



PROJ/JOB: Lee Eiseman - 3-4-21 / Lee Eiseman - 3-4-21  
DIST/DEALER: J B SASH & DOOR CO INC  
DRAWN: JIM CARNEY  
QUOTE#: TJKJ8NL

PK VER: 0003.07.00

CREATED: 03/04/2021

REVISION:

SHEET

4

OF 4