

SITE & VIEW LOCATION MAP





1

VIEW OF FRONT FACADE  
VIA JOY ST @ MT VERNON PL



2

VIEW OF JOY PL REAR ENTRANCE  
VIA JOY ST @ JOY PL

FRONT & REAR FACADE PHOTOS





EXISTING FRONT ENTRY  
VIA MOUNT VERNON PL



EXISTING FRONT ENTRY  
VIA MOUNT VERNON PL



8 MOUNT VERNON PL FRONT ENTRY  
REFERENCE IMAGE

FRONT ENTRY PHOTOS





1 FRONT EXTERIOR ELEVATION  
FULL: 1/4" = 1'-0", HALF: 1/8" = 1'-0"



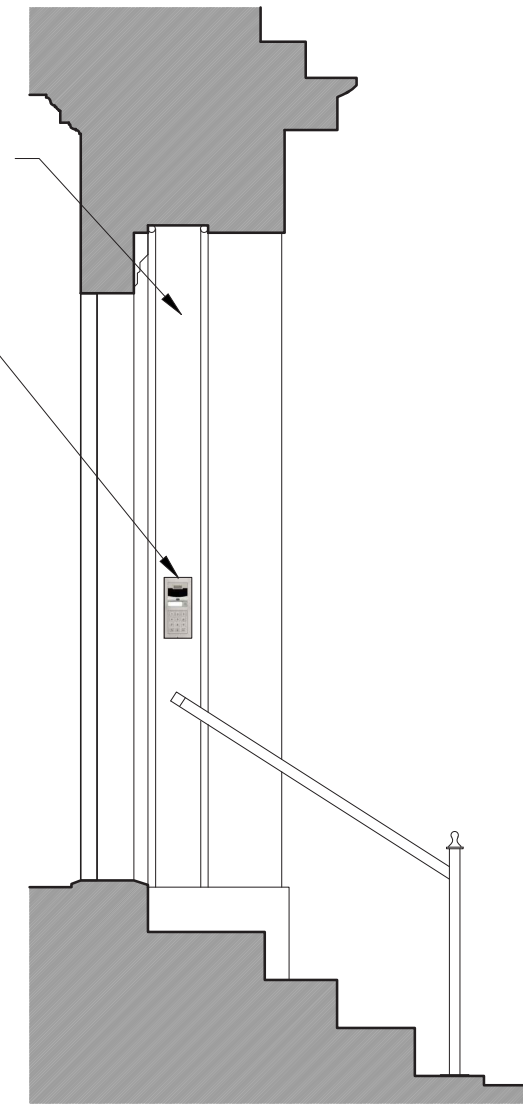
2 PROPOSED FRONT ENTRY ELEVATION  
FULL: 3/4" = 1'-0", HALF: 3/8" = 1'-0"

PAINT EXISTING DOOR TRIM BM BLACK 2132-10 (SEE HISTORICAL EVIDENCE)

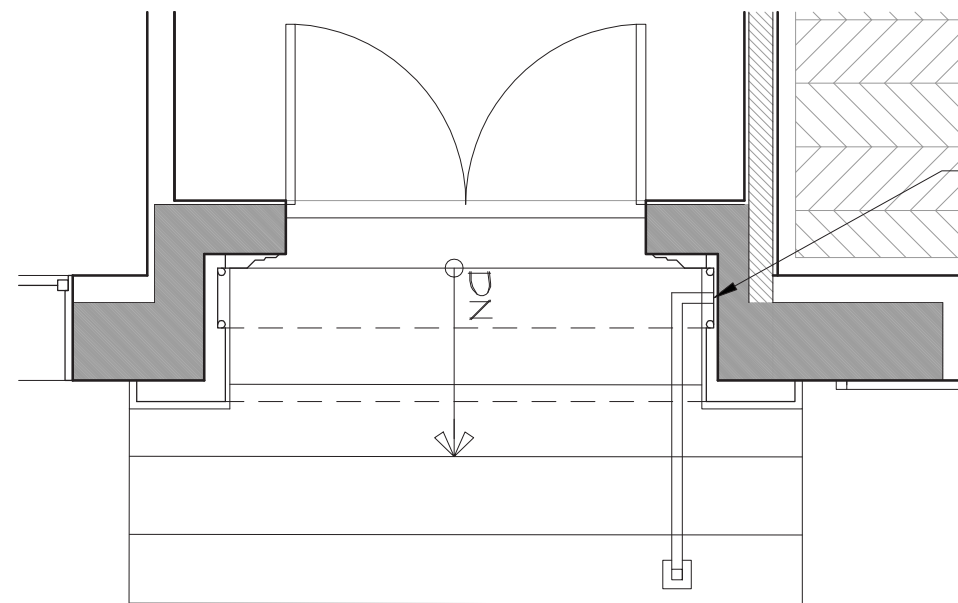
INSTALL NEW FLUSH INTERCOM/KEYPAD (NOT VISIBLE FROM PUBLIC WAY)

PAINT EXISTING DOOR BM BLACK 2132-10 (SEE HISTORICAL EVIDENCE)

REPLACE HARDWARE IN UNLACQUERED BRASS. (PREVIOUSLY APPROVED)



3 PROPOSED FRONT ENTRY SECTION  
FULL: 3/4" = 1'-0", HALF: 3/8" = 1'-0"



4 PROPOSED FRONT ENTRY PLAN  
FULL: 3/4" = 1'-0", HALF: 3/8" = 1'-0"

INSTALL NEW FLUSH INTERCOM/KEYPAD (NOT VISIBLE FROM PUBLIC WAY)



2N IP VERSO INTERCOM/KEYPAD  
CUSTOM BRASS PLATE TO BE CUT & INSTALLED  
5.125" x 10.125"

# FRONT FACADE ELEVATION & ENTRY DETAILS





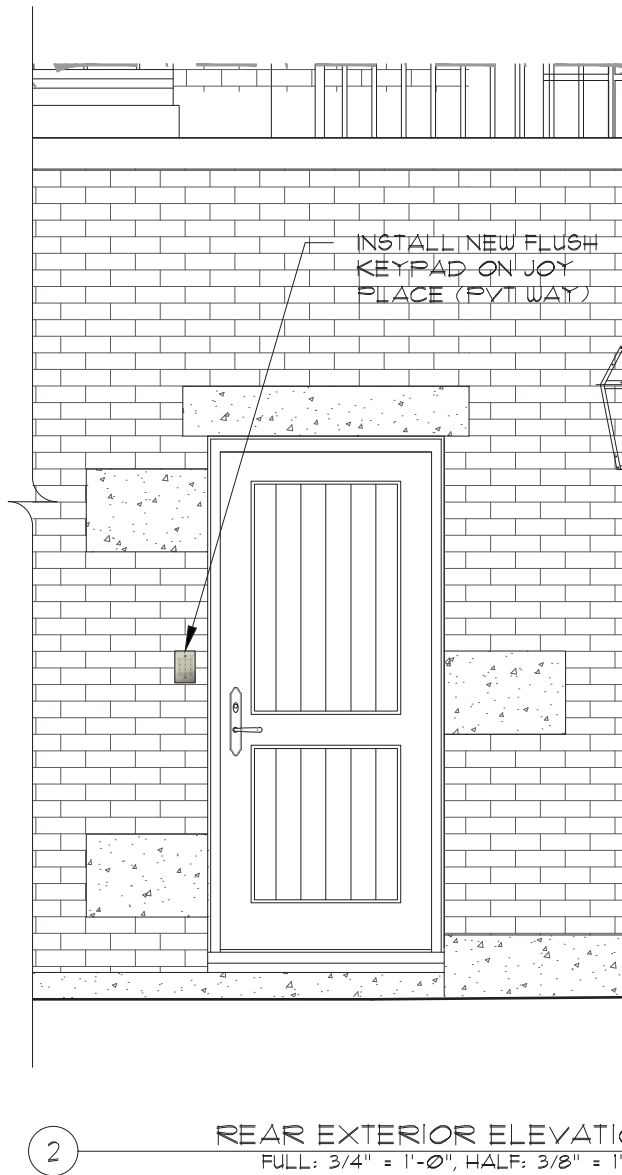
EXISTING REAR GARDEN ENTRY  
VIA JOY PL



8 MOUNT VERNON PL REAR ENTRY  
VIA JOY PL - REFERENCE IMAGE

REAR GARDEN ENTRY & SKYLIGHT PHOTO





SECURA KEY SK-KPS KEYPAD  
 CUSTOM BRASS PLATE TO CUT & INSTALLED  
 5.12" x 3.19" x .748"  
 SK-KPS

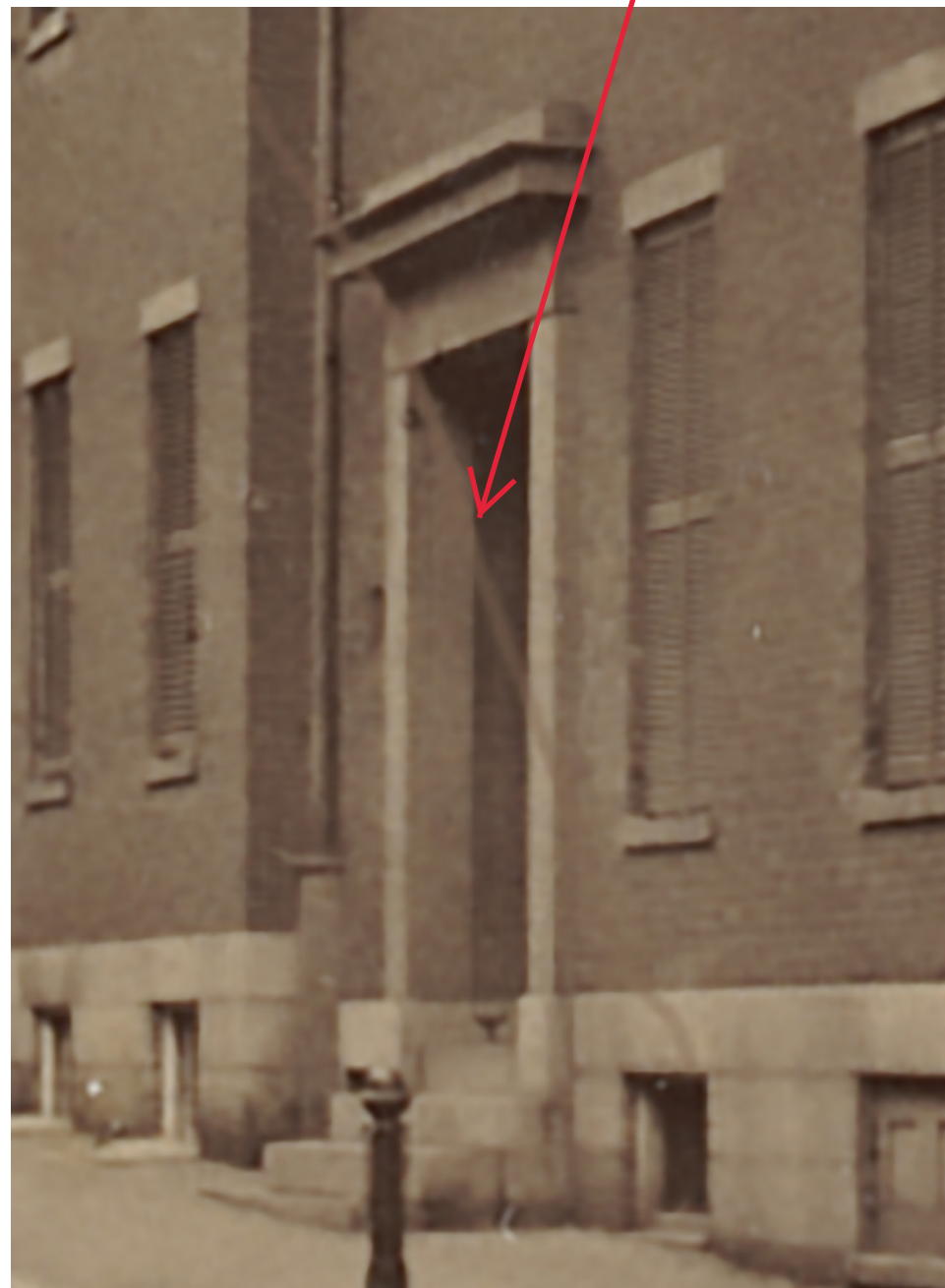
# REAR FACADE ELEVATION & REAR GARDEN ENTRY DETAILS



1860 HISTORICAL PHOTO SHOWS MATCHING ENTRIES AT 7 & 8 MOUNT VERNON PLACE

1860 HISTORICAL PHOTO SHOWS VESTIBULE COLOR IS DARKER THAN STONE SURROUND COLOR

CURRENT 2020 PHOTO IN SEPIA-TONE SHOWS TO SHOW COMPARISON



HISTORICAL PHOTO (DATED 1860)  
MOUNT VERNON PLACE

HISTORICAL PHOTO ENLARGED (DATED 1860)  
7 MOUNT VERNON PLACE

CURRENT PHOTO IN SEPIA TONE (2020)  
7 MOUNT VERNON PLACE

HISTORICAL EVIDENCE OF DARK DOOR





EXPLORATION OF DOOR SURROUND  
INDICATING BLACK PAINT UNDERNEATH



EXPLORATION OF DOOR  
INDICATING BLACK PAINT UNDERNEATH

EXPLORATION EVIDENCE OF DARK DOOR