

**BOSTON**  
SASH & MILLWORK

667 SPRING STREET  
NORTH DIGHTON, MA 02764  
PHONE # (508) 880-8808  
FAX # (508) 880-8828  
WWW.BOSTONSASH.COM

**MATERIAL**

- UTILE MAHOGANY  
ALASKAN YELLOW CEDAR

**HARDWARE**

	DESCRIPTION
-	AMESBURY TRUTH CONCEALED BALANCES
8	PHELPS LKF 1B SASH LOCK NLB

**SUB./REVISION**

NO.	DESCRIPTION
-	-
-	-
-	-

JOB: 19-068-008-112 MT VERNON

DESCRIPTION: BEACON HILL TDL IG D.H. UNITS  
ELEVATION & SECTIONS

DEALER: MACLEOD

CONTRACTOR: -

ARCHITECT: -

PROJ. MGR.: TOM MAAHONEY

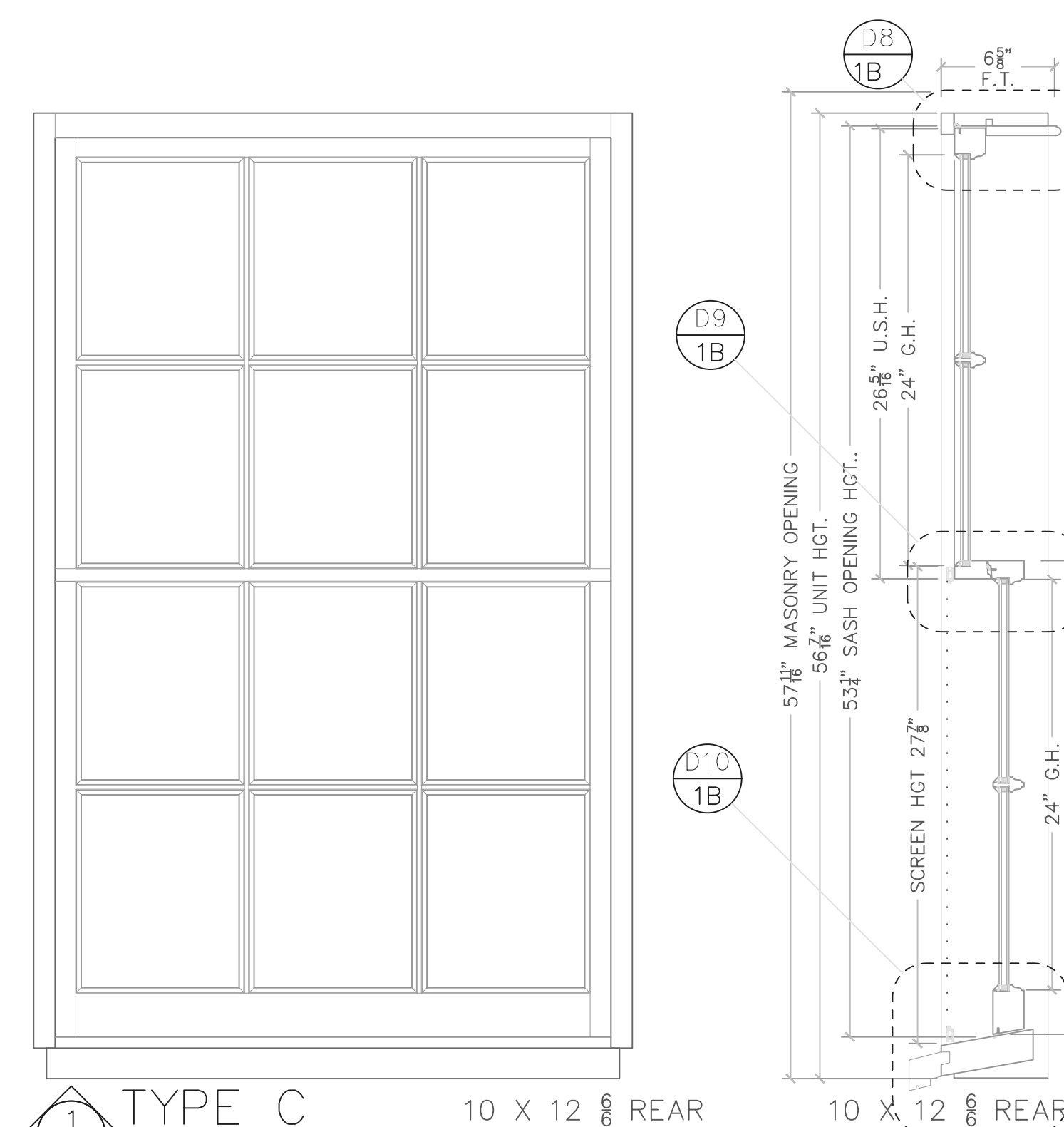
DRAWN BY: DKH

P.O. # 33126

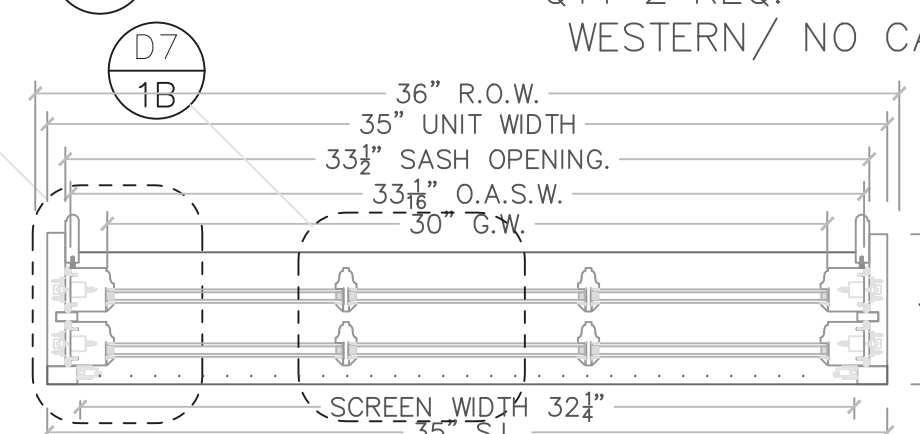
DATE: 4/27/20

SCALE: NOTED

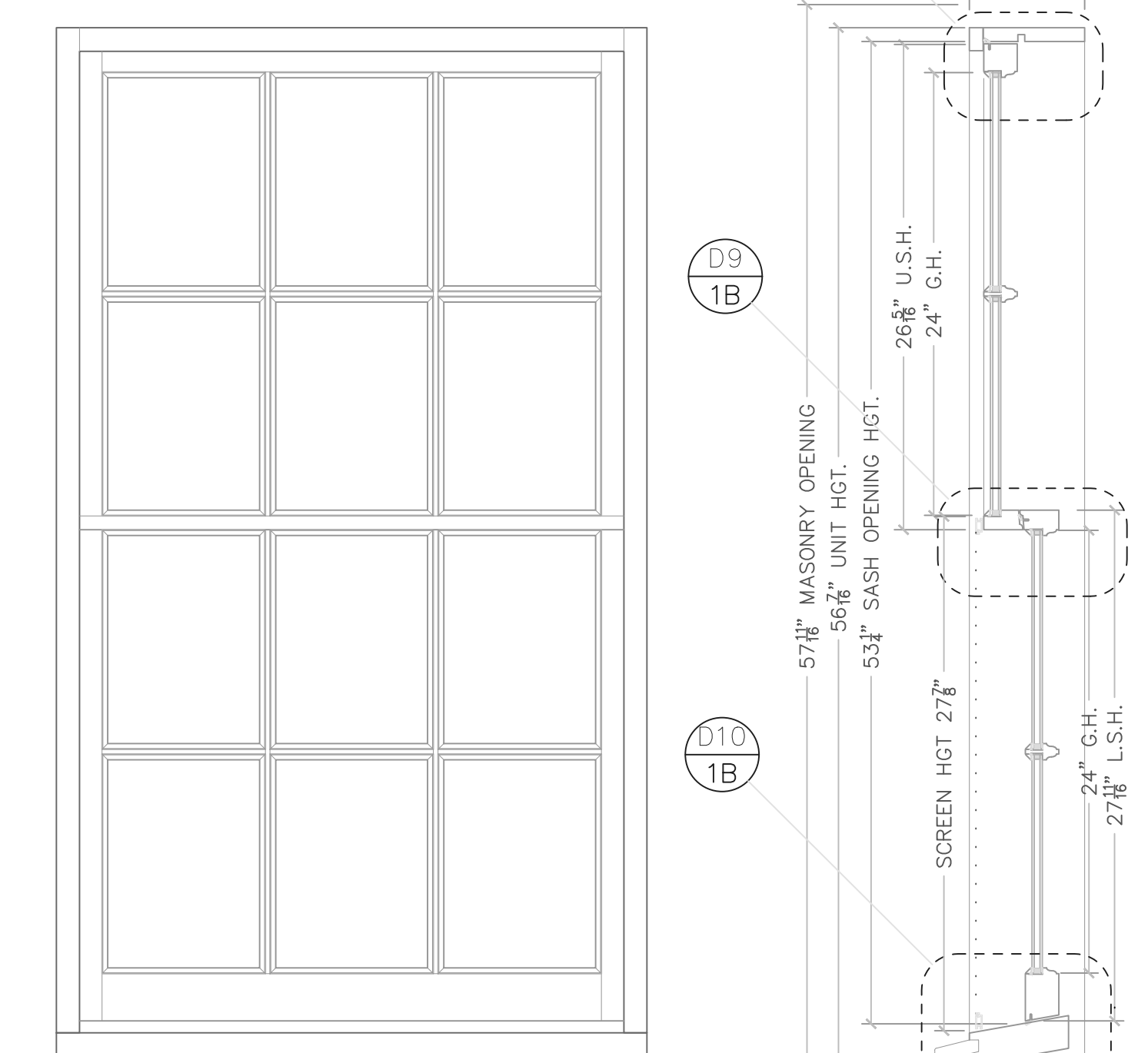
DWG. NO: 1  
SHEET: 1 OF 3



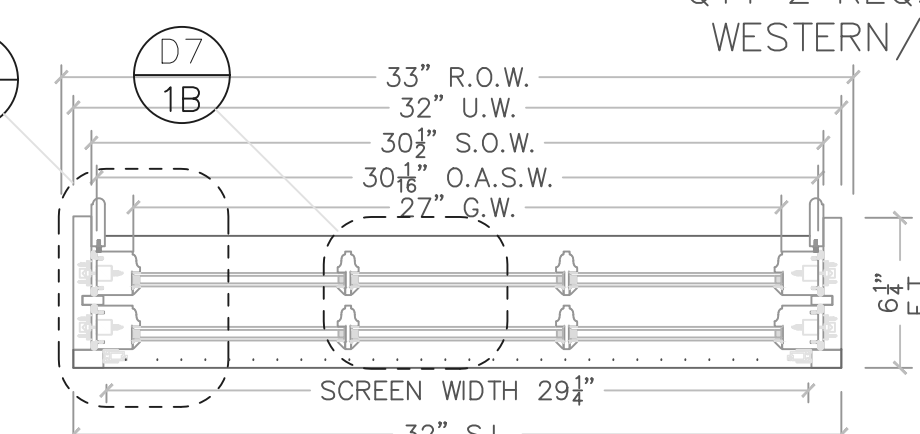
**TYPE C** 10 X 12 REAR  
QTY 2 REQ.  
WESTERN/ NO CASING



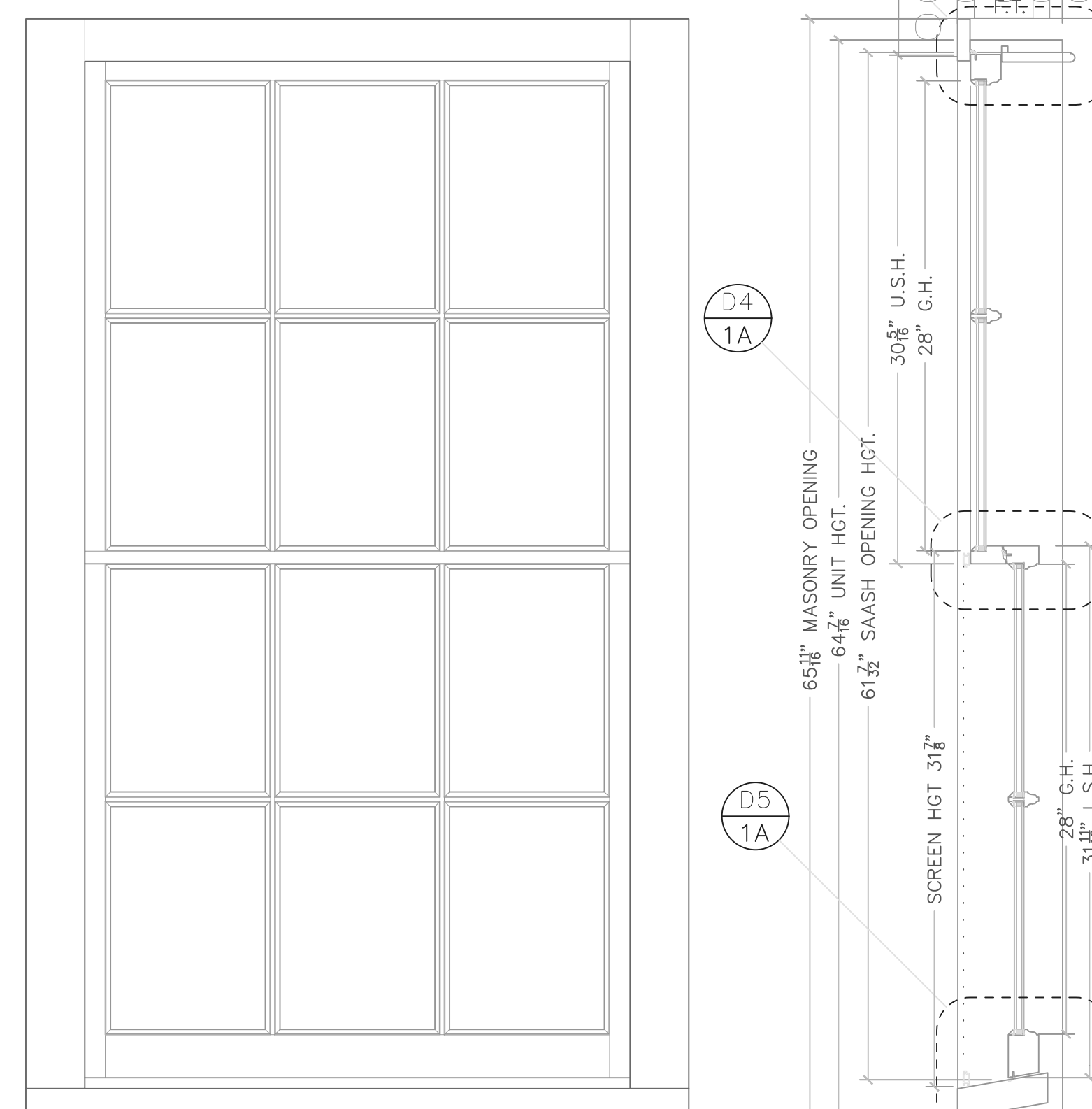
SCREEN WIDTH 32 1/4\"/>



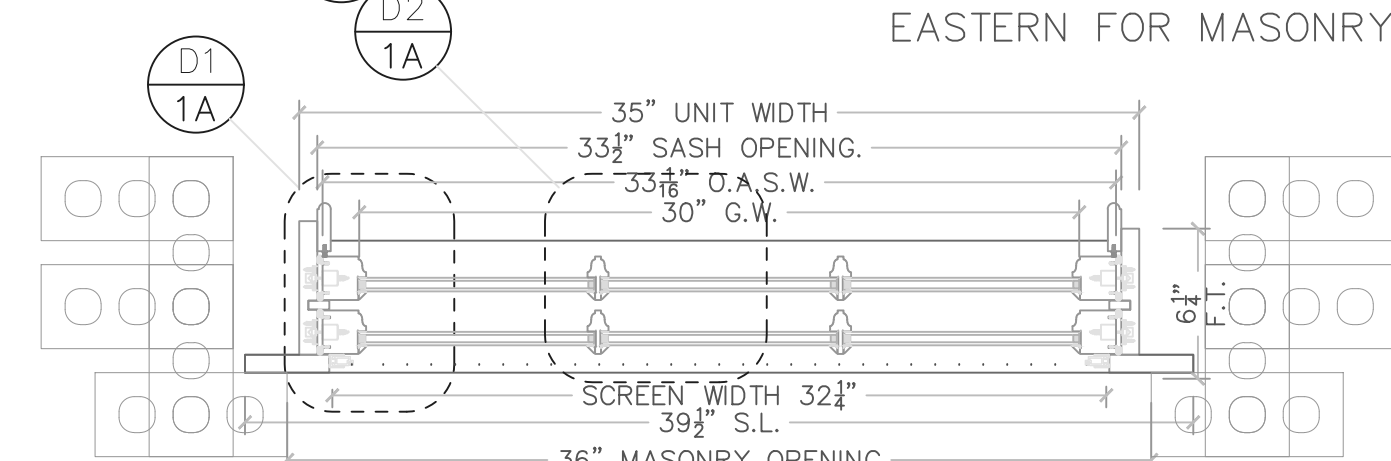
**TYPE D** 9 X 12 REAR  
QTY 2 REQ.  
WESTERN/ NO CASING



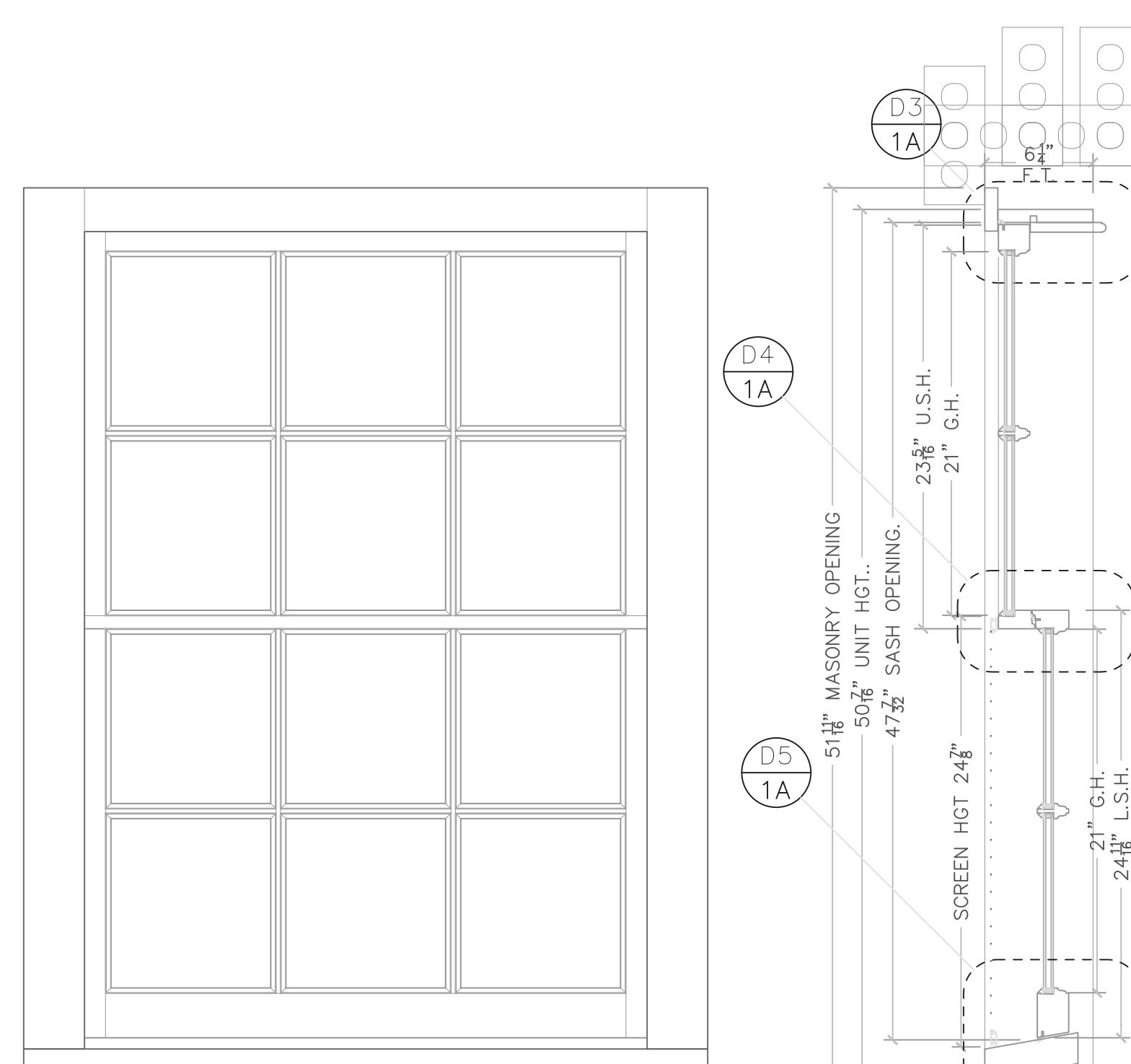
SCREEN WIDTH 29 1/4\"/>



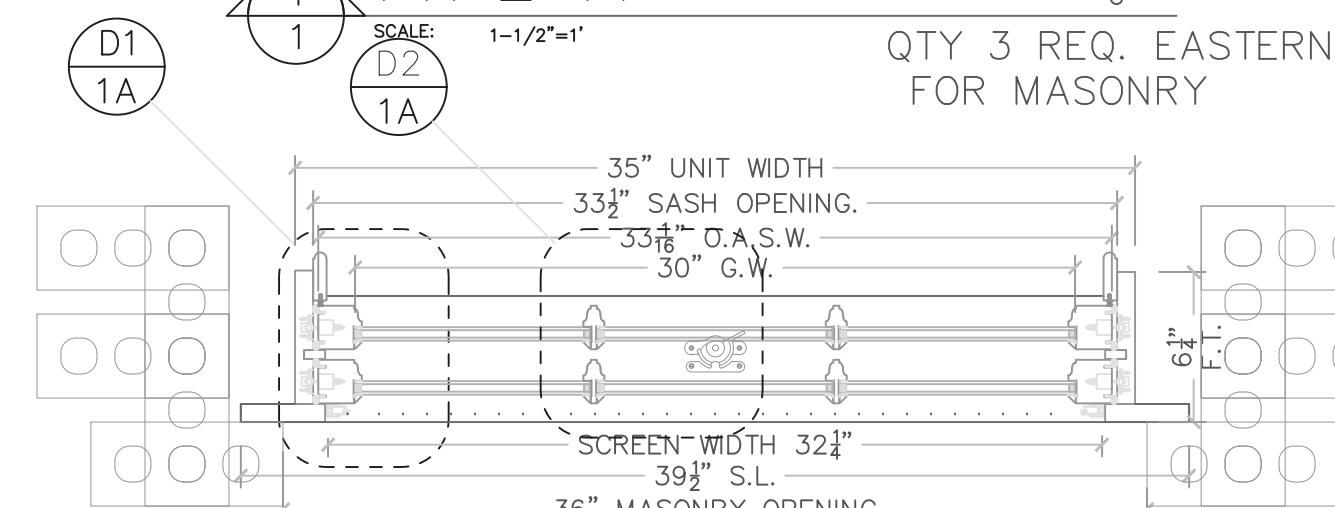
**TYPE B** 10 X 14  
QTY 1 REQ.  
EASTERN FOR MASONRY



SCREEN WIDTH 32 1/4\"/>



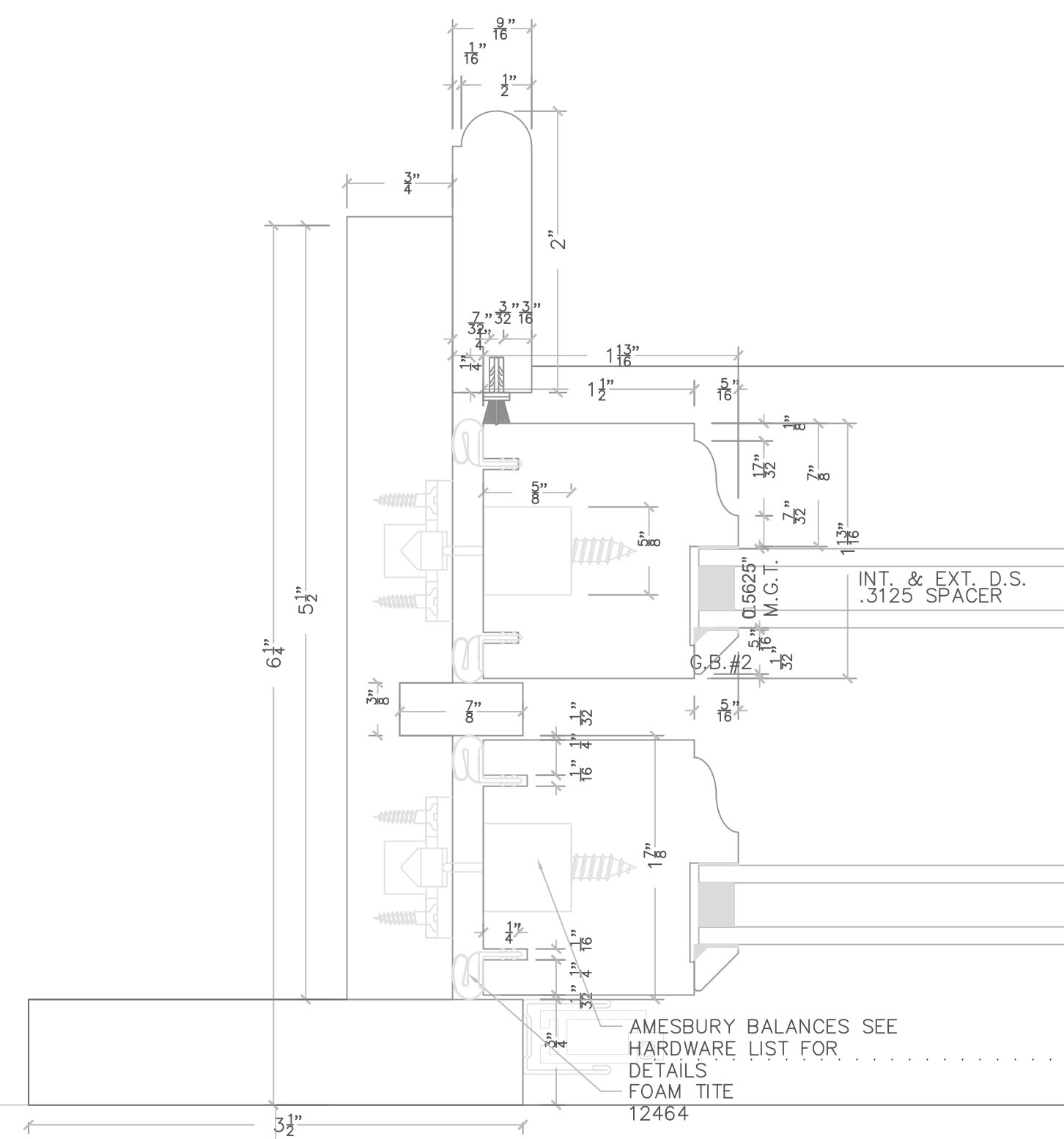
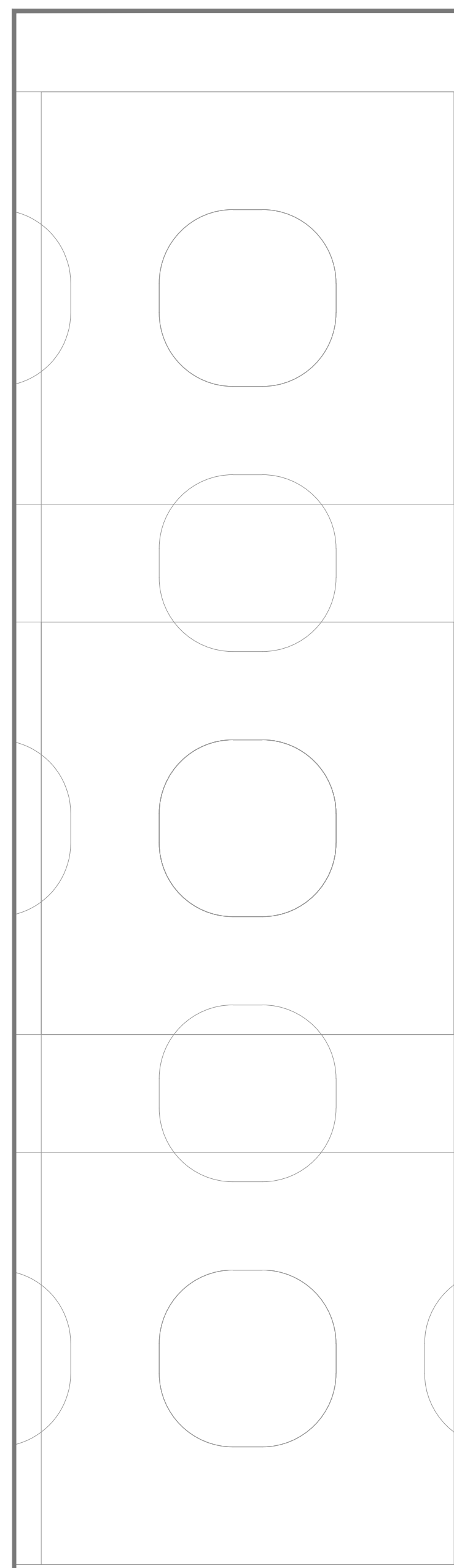
**TYPE A** 10 X 10.5 FRONT  
QTY 3 REQ. EASTERN  
FOR MASONRY



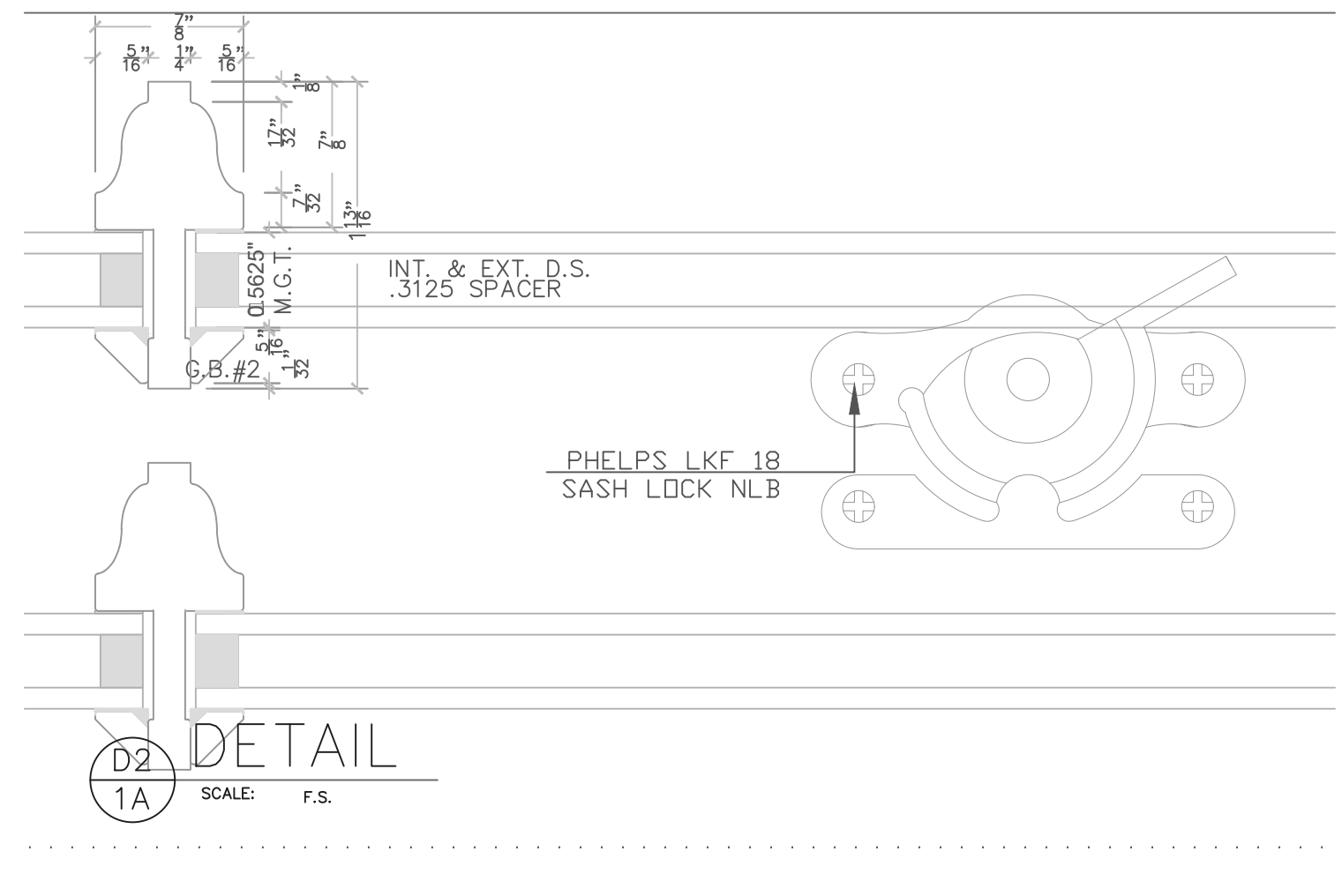
SCREEN WIDTH 32 1/4\"/>

RELEASED FOR FABRICATION & ORDERING

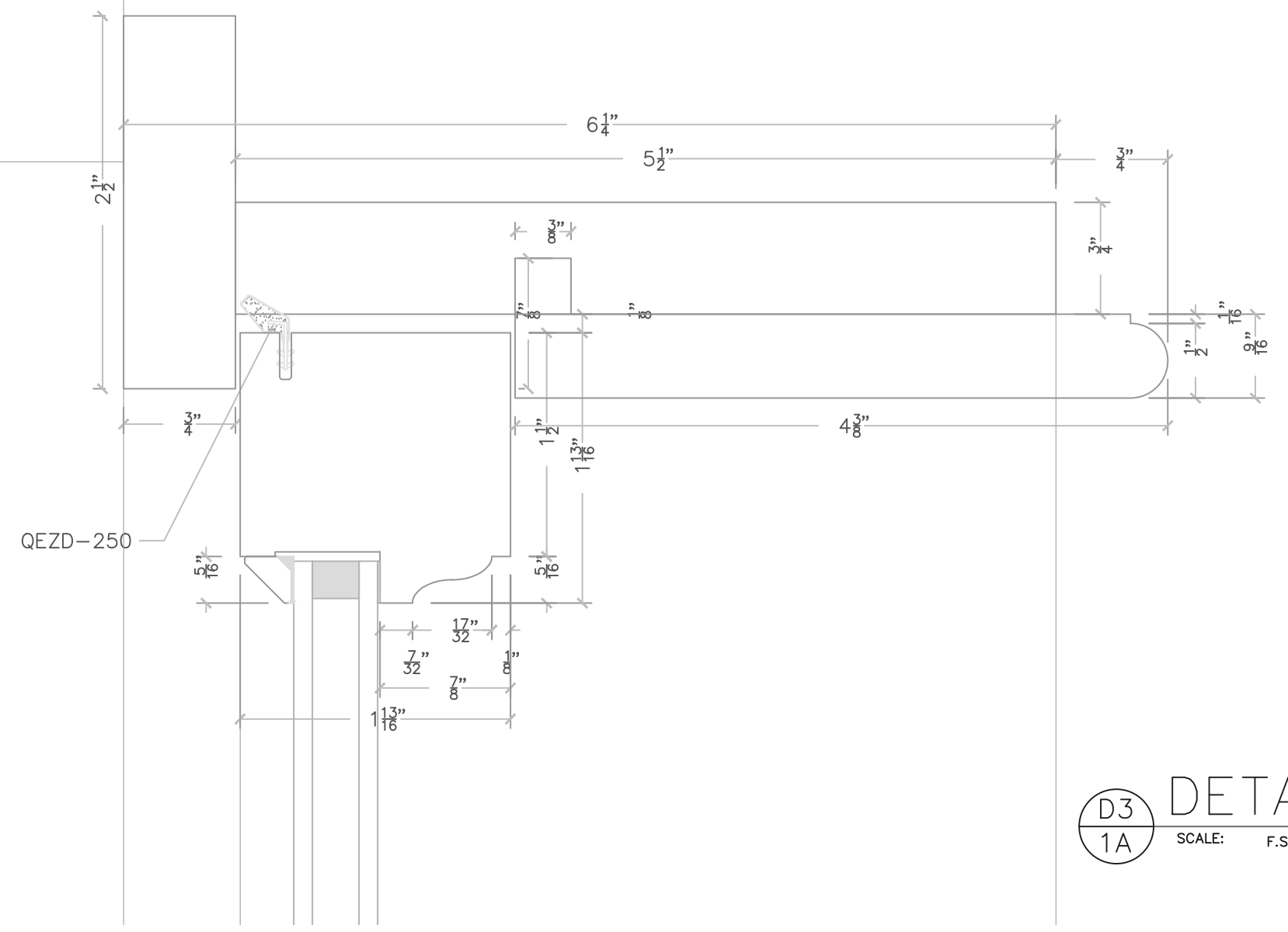
NAME	DATE
NAME	DATE



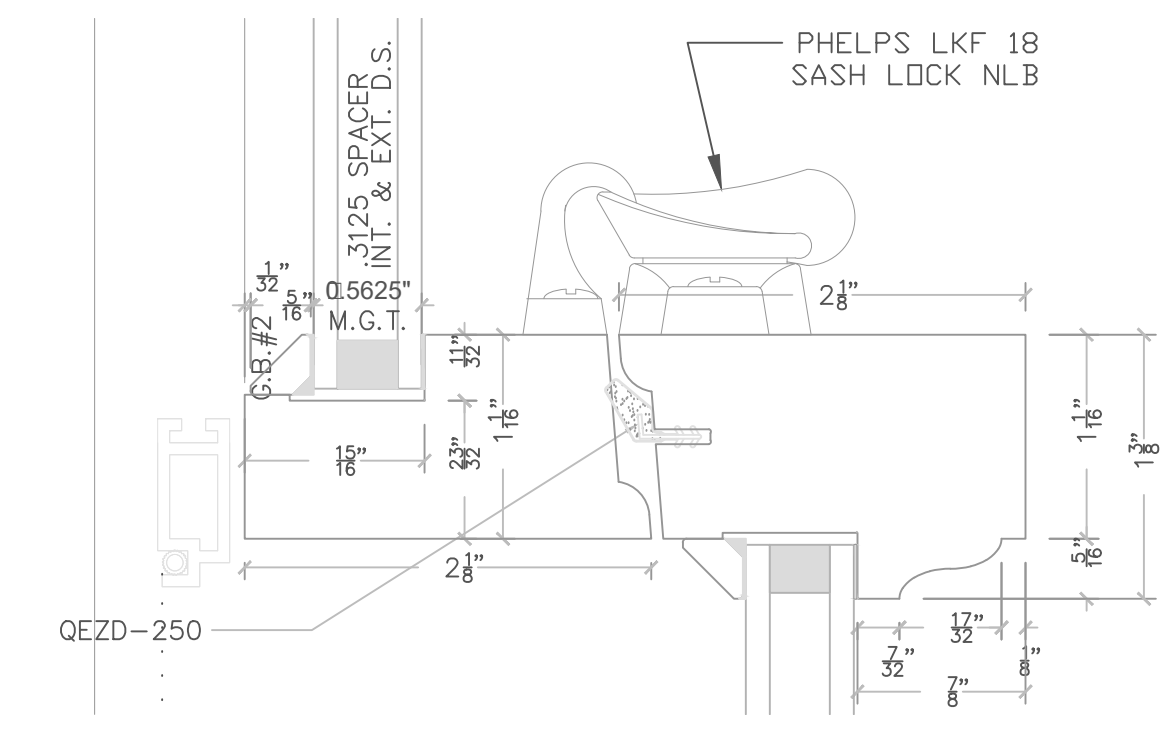
D1  
1A  
SCALE: F.S.



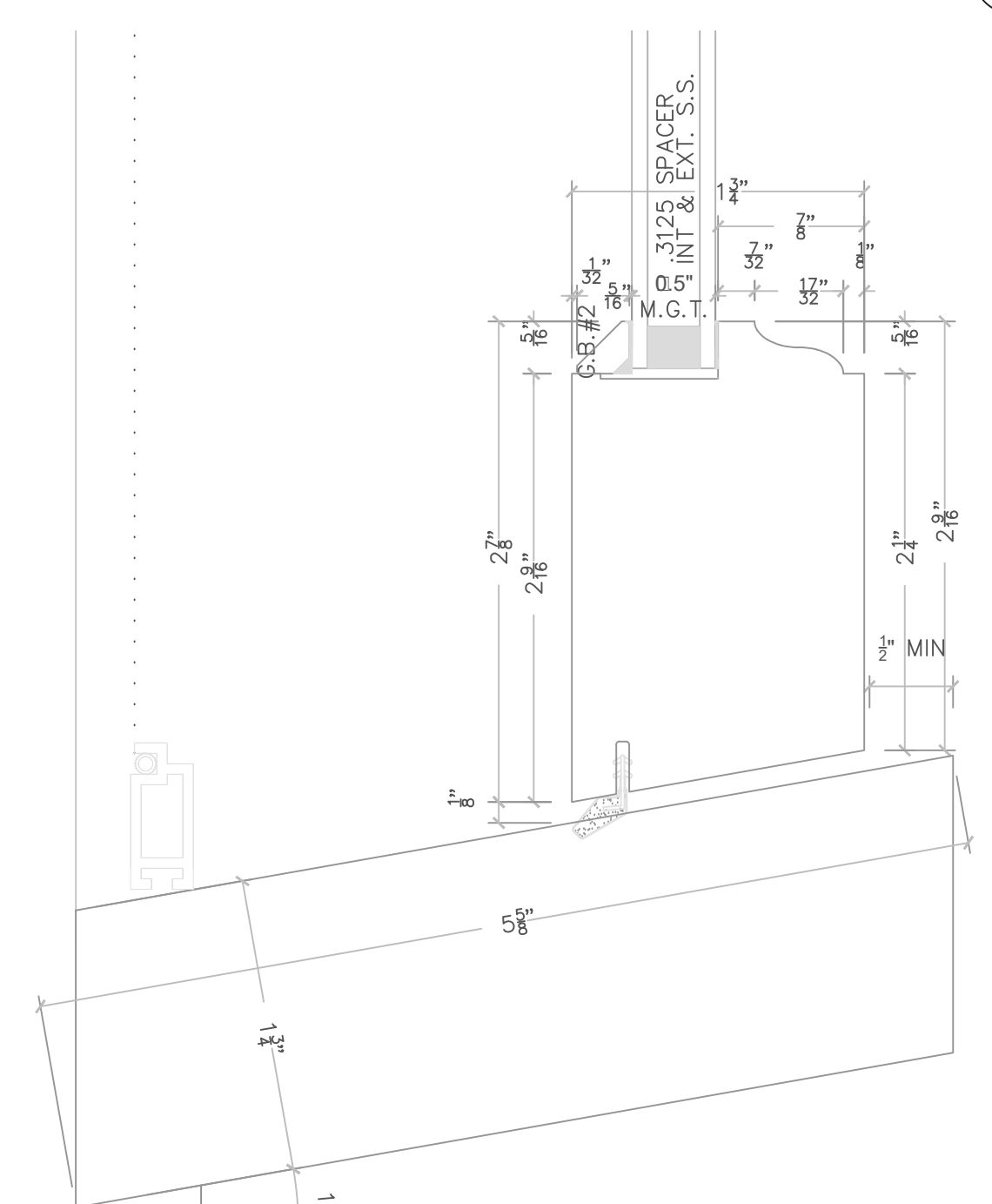
D2  
1A  
SCALE: F.S.



D3  
1A  
SCALE: F.S.



D4  
1A  
SCALE: F.S.



D5  
1A  
SCALE: F.S.



667 SPRING STREET  
NORTH DIGHTON, MA 02764  
PHONE # (508) 880-8808  
FAX # (508)880-8828  
WWW.BOSTONSASH.COM

SUB./REVISION	

JOB:	19-068-008-112 MT VERNON
DESCRIPTION:	BEACON HILL TDL IG D.H. UNITS DETAILS
DEALER:	MACLEOD
CONTRACTOR:	-
ARCHITECT:	-
PROJ. MGR.:	TOM MAAHONEY
DRAWN BY:	DKH
P.O. #	33126
DATE:	4/27/20
SCALE:	NOTED
DWG. NO.:	1A
SHEET:	2 OF 3







ONE WAY

CEDAR LN WAY







No Parking





