

23 Pinckney Street – Replacement of Failed Full-Glass Patio Doors

- 23 Pinckney Street, Apt 6 (top floor)
- 2 sets of glass doors to outdoor balcony
- Doors (40 years old) have failed & let water in.
- Proposed: replace with visually same doors.
- Note: existing (original) condition may be considered non-standard (all-metal doors, full non-divided light). However it is original and all 5 other units have the same & are visible.
- Other buildings in area have non-divided light.

Existing Condition - 23 Pinckney



23 Pinckney Street back of the building, as viewed from the very nearest point on the nearest street (Myrtle st). Proposed property is the top floor (#6). It is very high and distant and details of door are almost impossible to see from public way. Note: 5 other units have same condition, are visible, and are owned individually.

Existing Condition - 23 Pinckney



Inside and outside views of one of the two sets of doors, from within the condo and on the balcony.



Existing Condition - 23 Pinckney



View of 23 Pinckney Street, from another rooftop across Myrtle street.

Existing Condition – Non-Divided light on buildings near the back of 23 Pinckney



Existing Condition – Non-Divided light on buildings near the back of 23 Pinckney



Existing Condition – Non-Divided light on buildings near the back of 23 Pinckney



Existing Condition – Non-Divided light on buildings near the back of 23 Pinckney



Existing Condition – Non-Divided light on buildings near the back of 23 Pinckney



Existing Condition – Non-Divided light on buildings near the back of 23 Pinckney



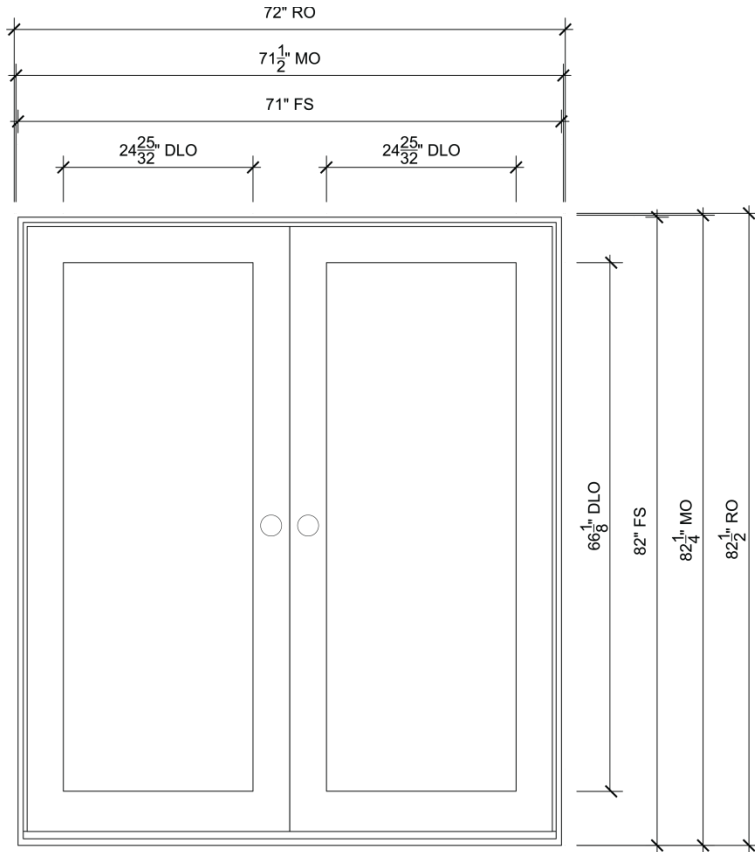
Existing Condition – Non-Divided light on buildings near the back of 23 Pinckney



Proposed Work - Overview

- Replace both sets of failed glass doors at #6
- Use Marvin highest-quality doors
- Supplier: JB Sash & Door (lots of experience with historic buildings in Beacon Hill)
- Doors to match existing: non-divided light.
- Wooden solid doors with metal cladding outside to match existing metal doors.
- Proposed: French swing-out doors with same profile as existing.
- Fallback plan: Sliding doors. Visually same as above.

Proposed Work



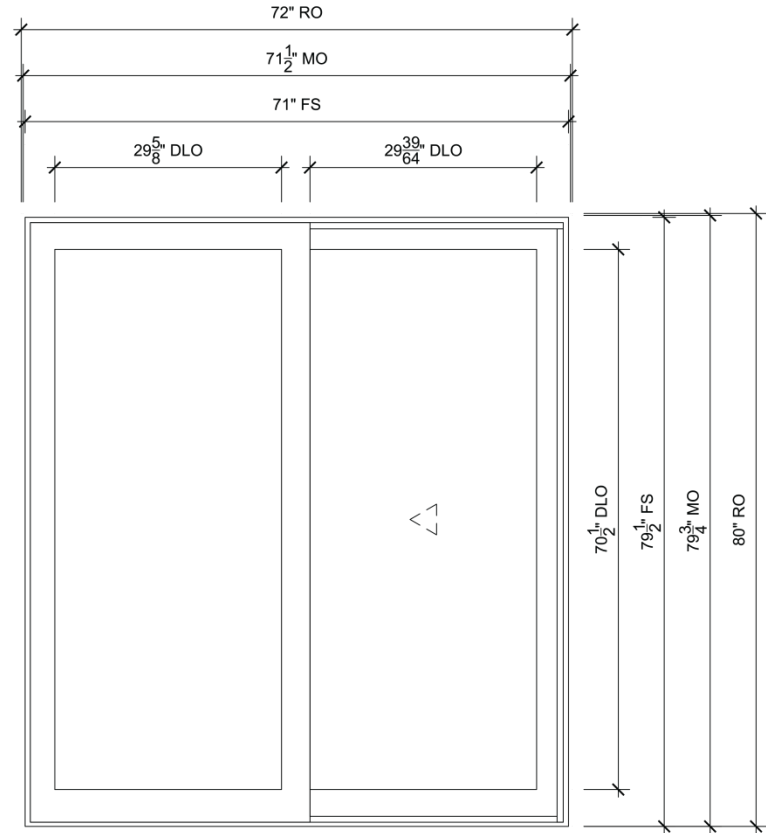
FRENCH DOOR

SCALE: 3/4" = 1'-0"

- ⑥
2 Head
- ⑦
2 Jamb
- ⑧
2 Sill
- ⑨
2 Meeting Stile

SPECIFICATIONS

Product Line: Ultimate
 Unit Description: Outswing French Door
 Frame Size: 71" X 82"



SLIDING DOOR

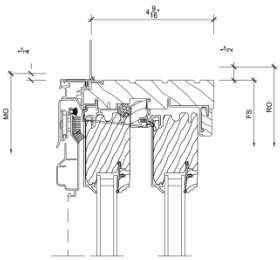
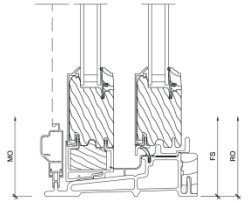
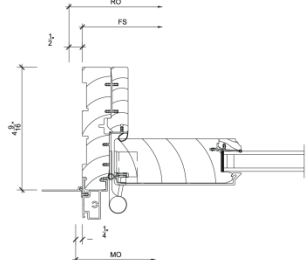
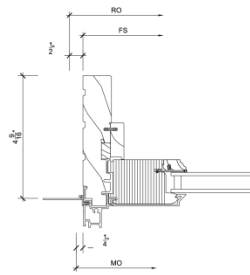
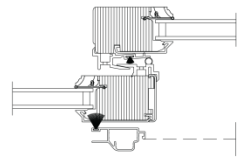
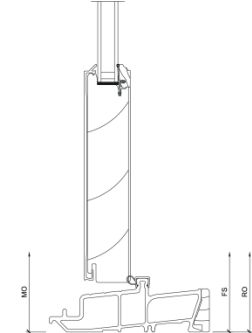
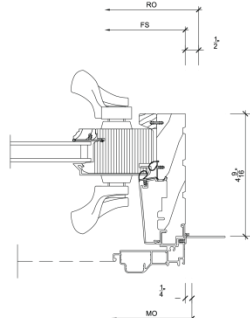
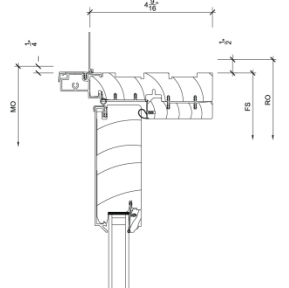
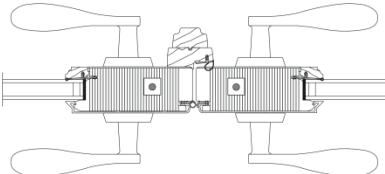
SCALE: 3/4" = 1'-0"

- ①
2 Head
- ②
2 Jamb
- ③
2 Jamb
- ④
2 Sill
- ⑤
2 Meeting Stile

SPECIFICATIONS

Product Line: Ultimate
 Unit Description: Sliding Patio Door
 Frame Size: 71" X 79 1/2"

Proposed Work

 <p>1 2</p> <p>Head</p> <p>SCALE: 6" = 1'-0"</p>	 <p>4 2</p> <p>Sill</p> <p>SCALE: 6" = 1'-0"</p>	 <p>7 2</p> <p>Jamb</p> <p>SCALE: 6" = 1'-0"</p>	<p>10 2</p> <p>NOT USED</p> <p>SCALE: 6" = 1'-0"</p>
 <p>2 2</p> <p>Jamb</p> <p>SCALE: 6" = 1'-0"</p>	 <p>5 2</p> <p>Meeting Stile</p> <p>SCALE: 6" = 1'-0"</p>	 <p>8 2</p> <p>Sill</p> <p>SCALE: 6" = 1'-0"</p>	<p>11 2</p> <p>NOT USED</p> <p>SCALE: 6" = 1'-0"</p>
 <p>3 2</p> <p>Jamb</p> <p>SCALE: 6" = 1'-0"</p>	 <p>6 2</p> <p>Head</p> <p>SCALE: 6" = 1'-0"</p>	 <p>9 2</p> <p>Meeting Stile</p> <p>SCALE: 6" = 1'-0"</p>	<p>12 2</p> <p>NOT USED</p> <p>SCALE: 6" = 1'-0"</p>

ORDERING PRODUCTS WITH REFERENCE TO SHOP DRAWINGS:
These shop drawings are a copy of these drawings accompanied by an
order form. The order form must be filled out and returned to the
Division of Marvin Windows & Doors, P.O. Box 100, Winnetka, Minnesota
55093. If the Marvin products included herein are ordered without reference
to these drawings, the user assumes all liability for the accuracy of the
responsibility in guaranteeing product coordination with the drawings.



PROJECT: 23 Pindwavy St / Neil Stahn
DISTRIBUTOR: J B SASH & DOOR CO INC
DRAWN: RAY FUCILLO
QUOTE#: 368D381

REVISION:

PK VERSION: 0002.27.00

CREATED: 08/12/2019

SHEET

2

Proposed Work

