

1



2 - 28 NEWBURY STREET FACADE



3



4



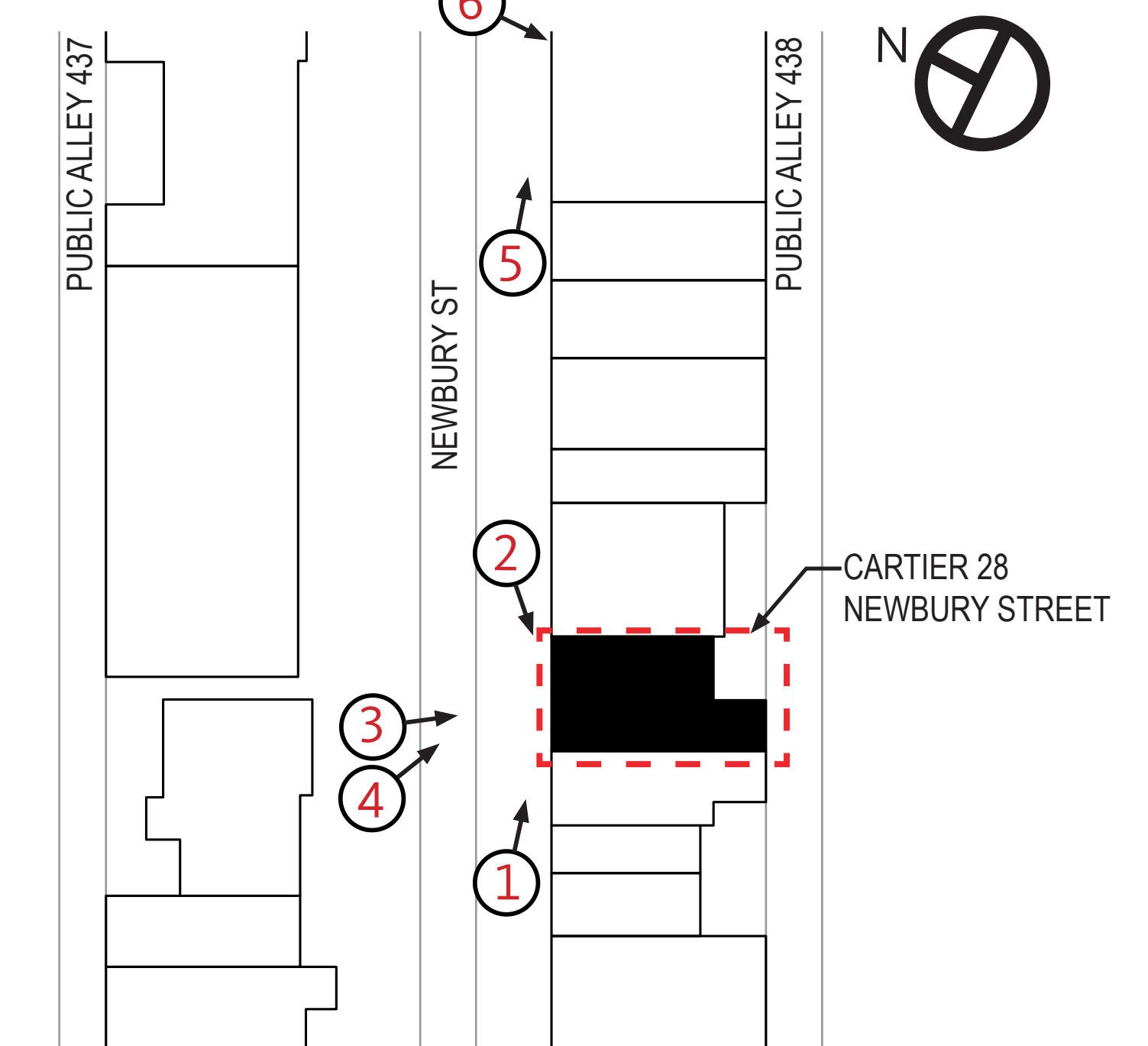
5 - BURBERRY FACADE WITH FLAGS



6 - BURBERRY FLAG



KEY PLAN



Submitted: 24 July 2019

# CARTIER - 28 NEWBURY STREET

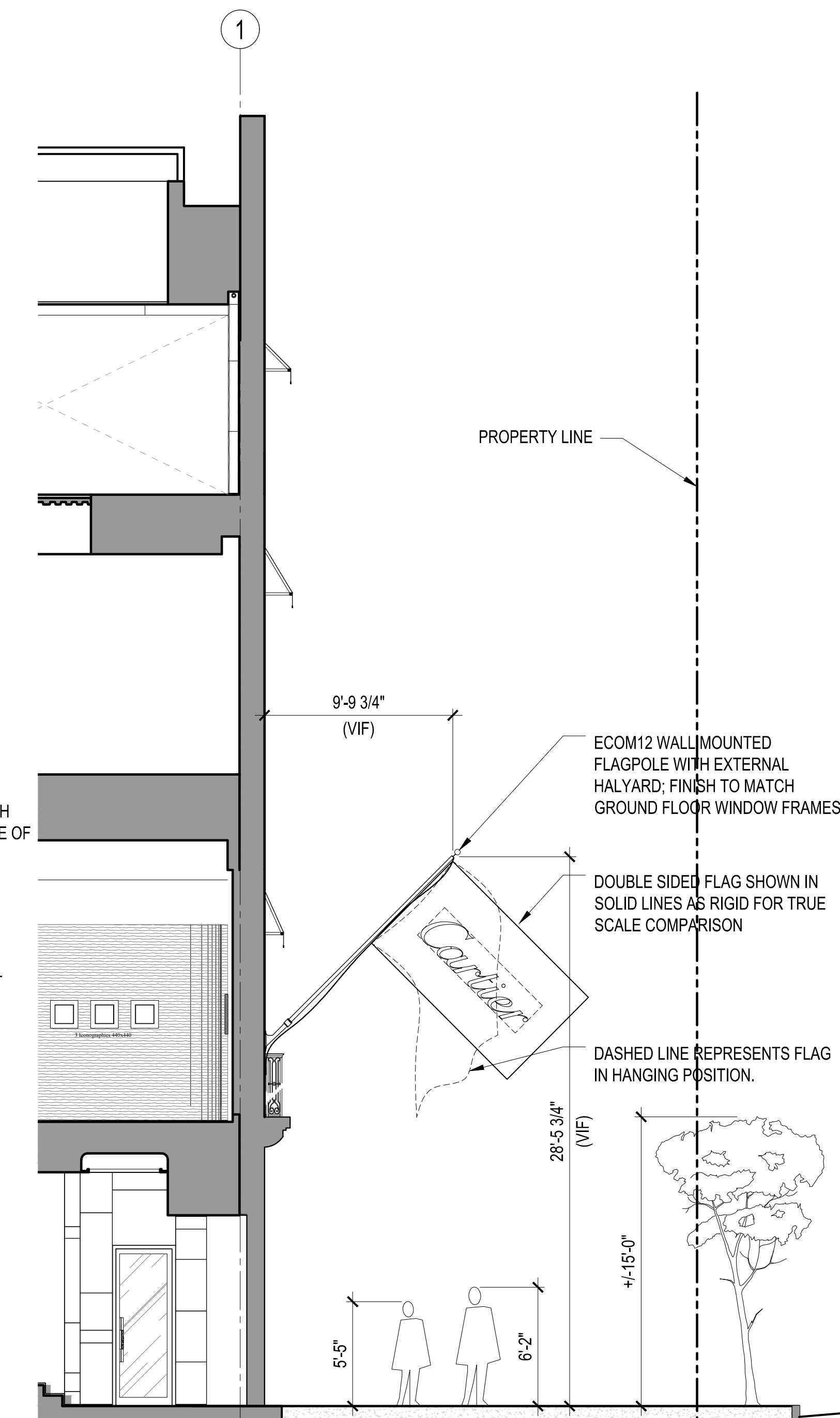
A: EXISTING SITE CONTEXT

**GENSLER**

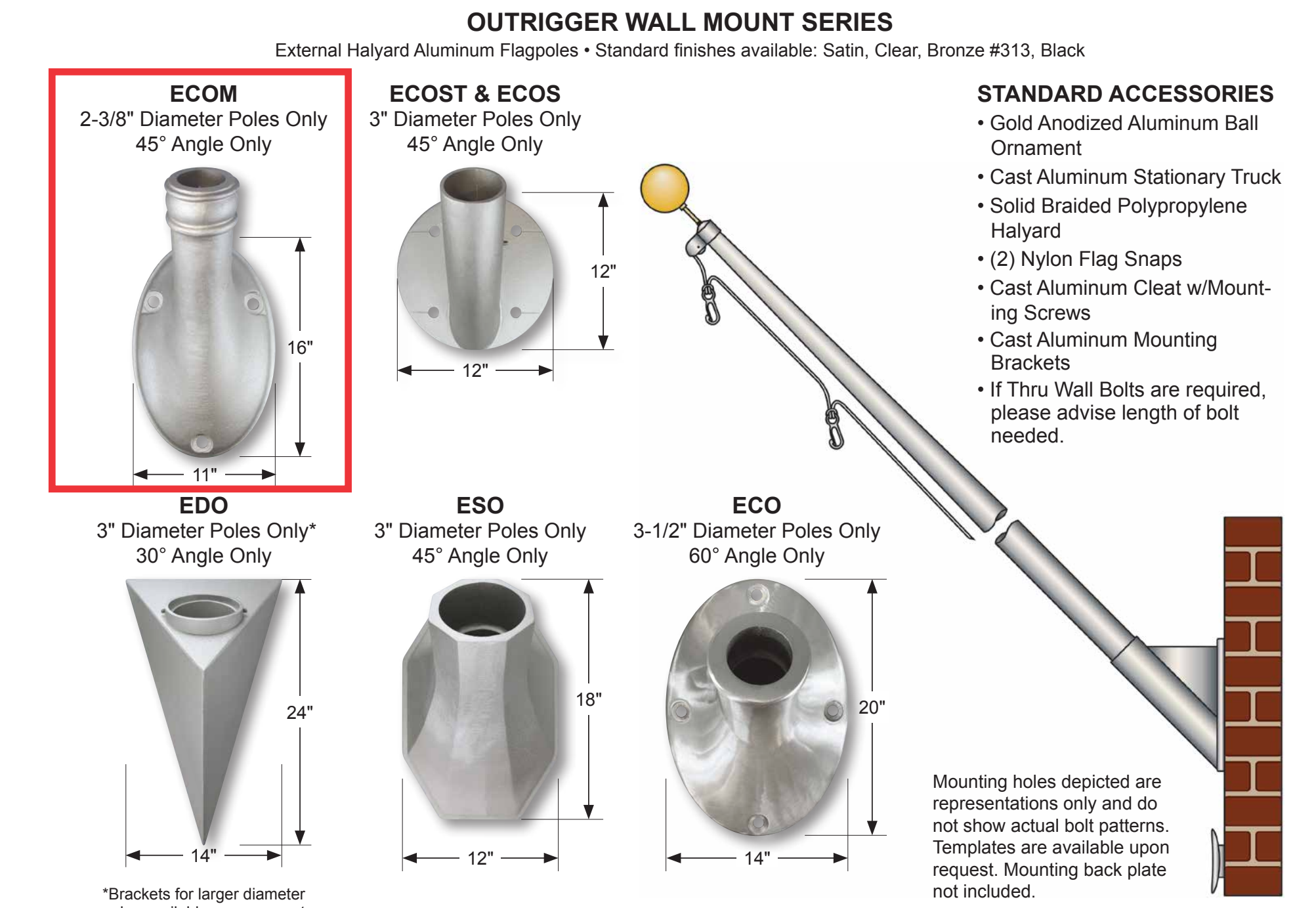
**WALL MOUNT FLAGPOLES**



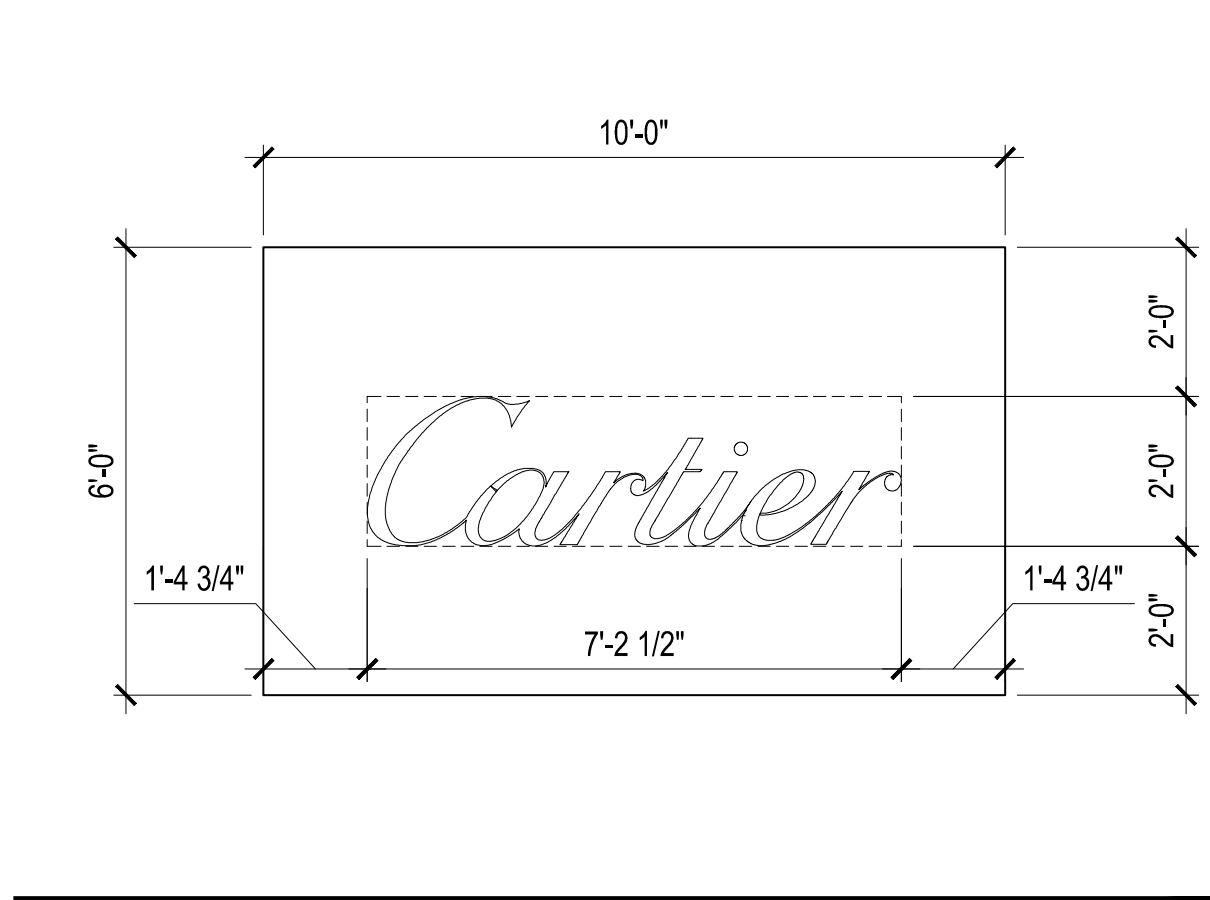
**01 - FRONT ELEVATION**



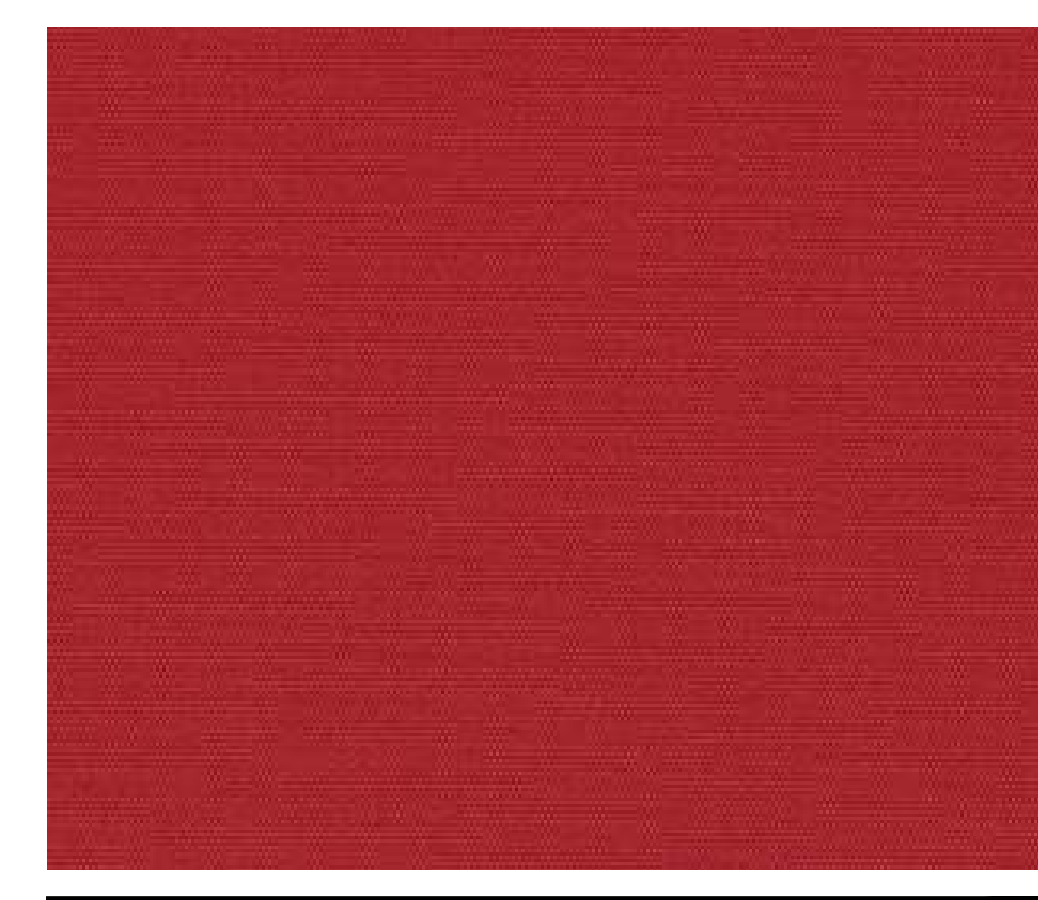
**02 - SIDE ELEVATION**



**03 - FLAGPOLE DATA SHEET (BASIS OF DESIGN)**



**04 - FLAG WITH GRAPHIC LAYOUT**



**05 - FLAG COLOR**



**06 - LOGO COLOR**



**07 - FLAGPOLE FINISH**

**B: PROPOSED FLAGPOLE DESIGN**



1: VIEW APPROACHING FROM ARLINGTON ST.



2: VIEW APPROACHING FROM BERKELEY ST.



C: PROPOSED FLAGPOLE RENDERINGS

Submitted: 24 July 2019

CARTIER - 28 NEWBURY STREET

**GENSLER**