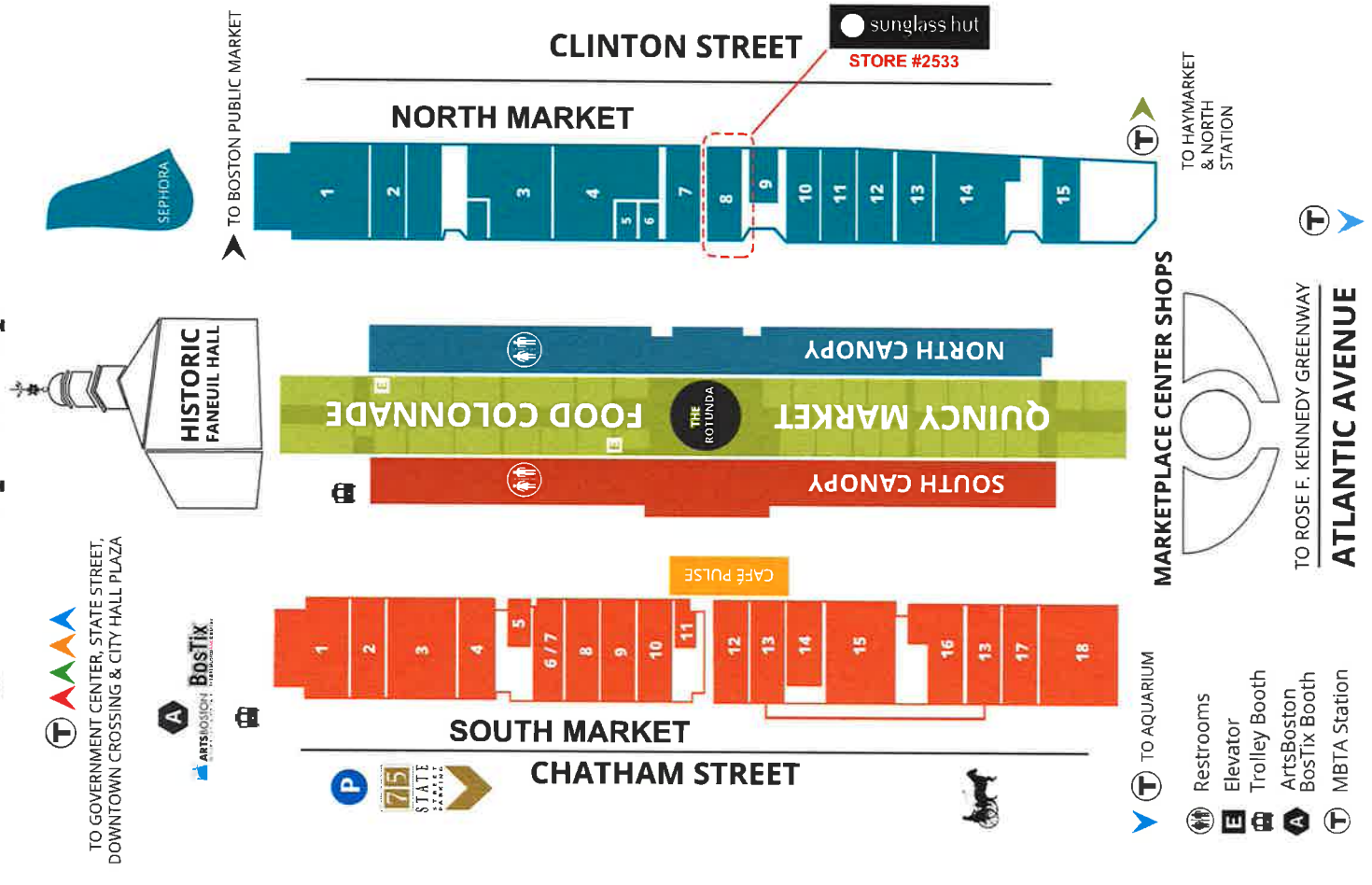


Faneuil Hall Marketplace Map



38 Faneuil Hall Marketplace

TRIANGLE
SIGN SERVICES

CLIENT & LOCATION
sunglass hut

STORE #2533
FANEUIL MARKETPLACE
7 NORTH MARKET FANEUIL HALL
BOSTON, MA 02109

LEAD NO. 174835R2	DATE 2/1/2019	REVIEWED BY	REVISION
SALESMAN S. ALTSHULER	DRAWN BY JM	SEG. NO.	

SHEET NO.
2 OF 16

STORE FRONT ELEVATION - DIMENSIONS

SCALE: 3/8" = 1'-0"±

NOTE: DOWN SPOUT TO BE MOVED BY OTHERS




NOTE: NO NEW ANCHORING HOLES CAN BE DRILLED INTO THE HISTORIC 1847 GRANITE. ONLY EXISTING HOLES & SEAMS WILL BE ALLOWED. IT IS CRITICAL FOR SIGN CO. TO VERIFY LOCATION OF THE SEAMS OR EXISTING HOLES

21'-3"

TRIANGLE
SIGN SERVICES

CLIENT & LOCATION

 sunglass hut

STORE #2533
FANEUIL MARKETPLACE
7 NORTH MARKET FANEUIL HALL
BOSTON, MA 02109

LEAD NO.

174835R2

DATE

2/1/2019

REVIEWED BY

REVISION

SALESMAN

S. ALTSHULER

DRAWN BY

JM

SEG. NO.

SHEET NO.

4 OF 16

STORE FRONT ELEVATION - AWNING
SCALE: 3/8" = 1'-0"±

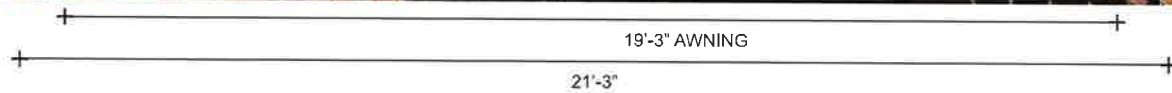
NOTE: DOWN SPOUT TO BE MOVED BY OTHERS



NOTE: FRAMING TO BE ADJUSTABLE, SO ALL ATTACHMENTS WILL BE IN MORTAR JOINTS



MORTAR JOINT DETAIL



TRIANGLE
SIGN SERVICES

CLIENT & LOCATION



STORE #2533
FANEUIL MARKETPLACE
7 NORTH MARKET FANEUIL HALL
BOSTON, MA 02109

LEAD NO.
174835R2
SALESMAN
S. ALTSCHULER

DATE
2/1/2019
DRAWN BY
JM

REVIEWED BY
SEG. NO.

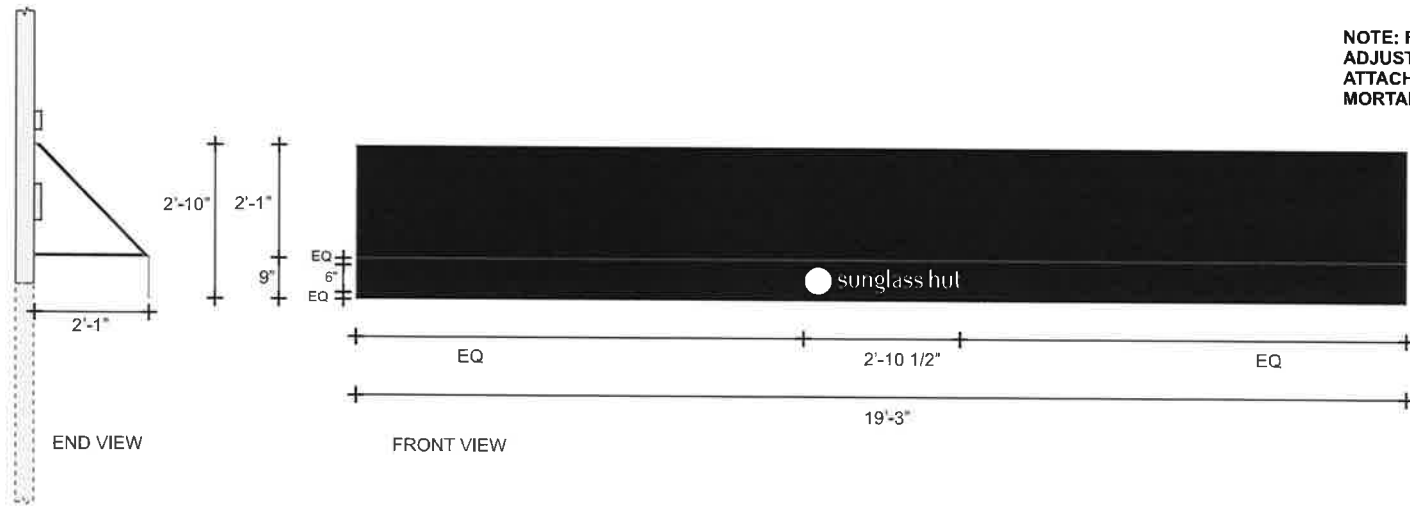
REVISION

SHEET NO.

5 OF 16

AWNING ELEVATION
SCALE: 3/8" = 1'-0"

NOTE: FRAMING TO BE ADJUSTABLE, SO ALL ATTACHMENTS WILL BE IN MORTAR JOINTS



TRIANGLE
SIGN SERVICES

CLIENT & LOCATION



STORE #2533
FANEUIL MARKETPLACE
7 NORTH MARKET FANEUIL HALL
BOSTON, MA 02109

LEAD NO.

174835R2

SALESMAN

S. ALTSHULER

DATE

2/1/2019

DRAWN BY

JM

REVIEWED BY

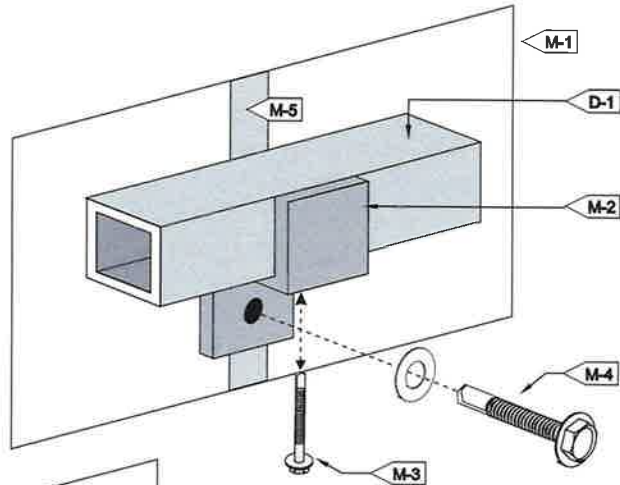
SEG. NO.

REVISION

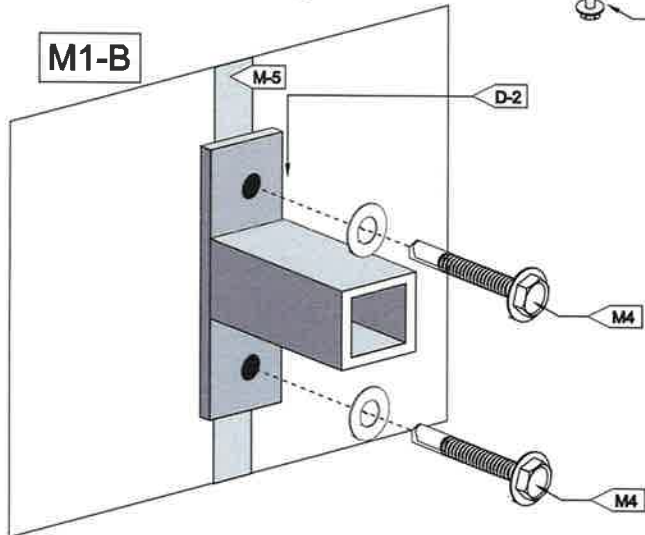
SHEET NO.

6 OF 16

M1-A



M1-B



AWNING / TYPICAL MOUNTING

SCALE: N.T.S.

D FRAMING:	
D-1:	TOP BAR & PROJECTION ARM
MATERIAL:	1" ALUM. SQUARE TUBE
D-2:	1" x 3" ALUM. MOUNTING PLATE
MATERIAL:	1" ALUM. SQUARE TUBE
FINISH:	BLACK SATIN
M MOUNTING:	
MOUNTING	SEE MOUNTING NOTE
M-1:	EXISTING EXTERIOR WALL
M-2:	1/8" THK. ALUM. Z-CLIP
M-3:	#10 TEK SCREWS
M-4:	3/8" MIN. MASONRY ANCHORS
M-5:	MORTAR JOINT (APPROX.)

MOUNTING NOTE: INSTALLER IS REQUIRED TO VERIFY ACTUAL FIELD CONDITIONS & PROVIDE NECESSARY MOUNTING HARDWARE & METHOD OF ATTACHMENT TO ENSURE SAFE INSTALLATION. INSTALLATION TO MEET N.E.C., UL & LOCAL CODES

TRIANGLE
SIGN SERVICES

CLIENT & LOCATION

sunglass hut

STORE #2533
FANEUIL MARKETPLACE
7 NORTH MARKET FANEUIL HALL
BOSTON, MA 02109

LEAD NO.

174835R2

DATE

2/1/2019

REVIEWED BY

REVISION

SALESMAN
S. ALTSHULER

DRAWN BY
JM

SEG. NO.

SHEET NO.

8 OF 16