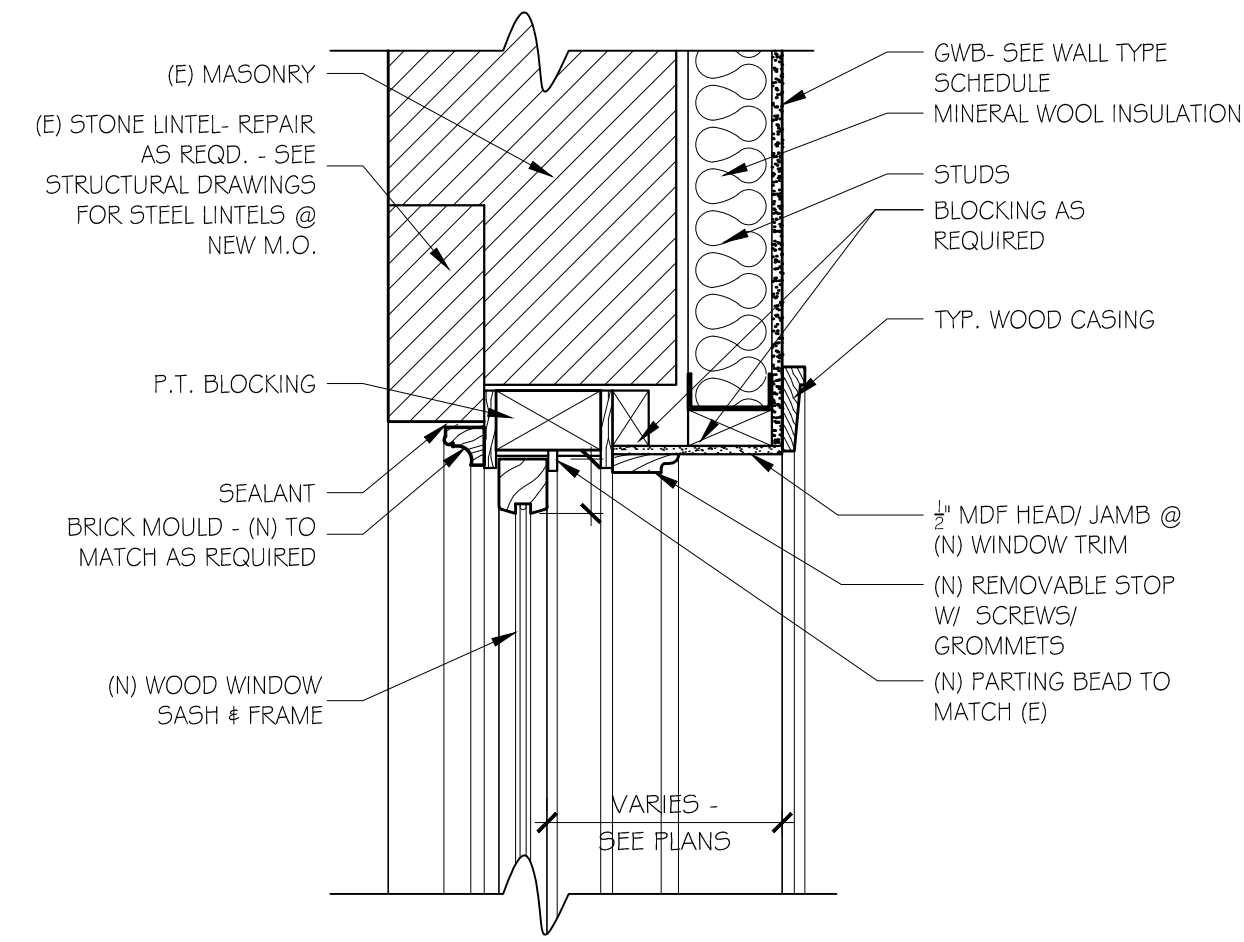


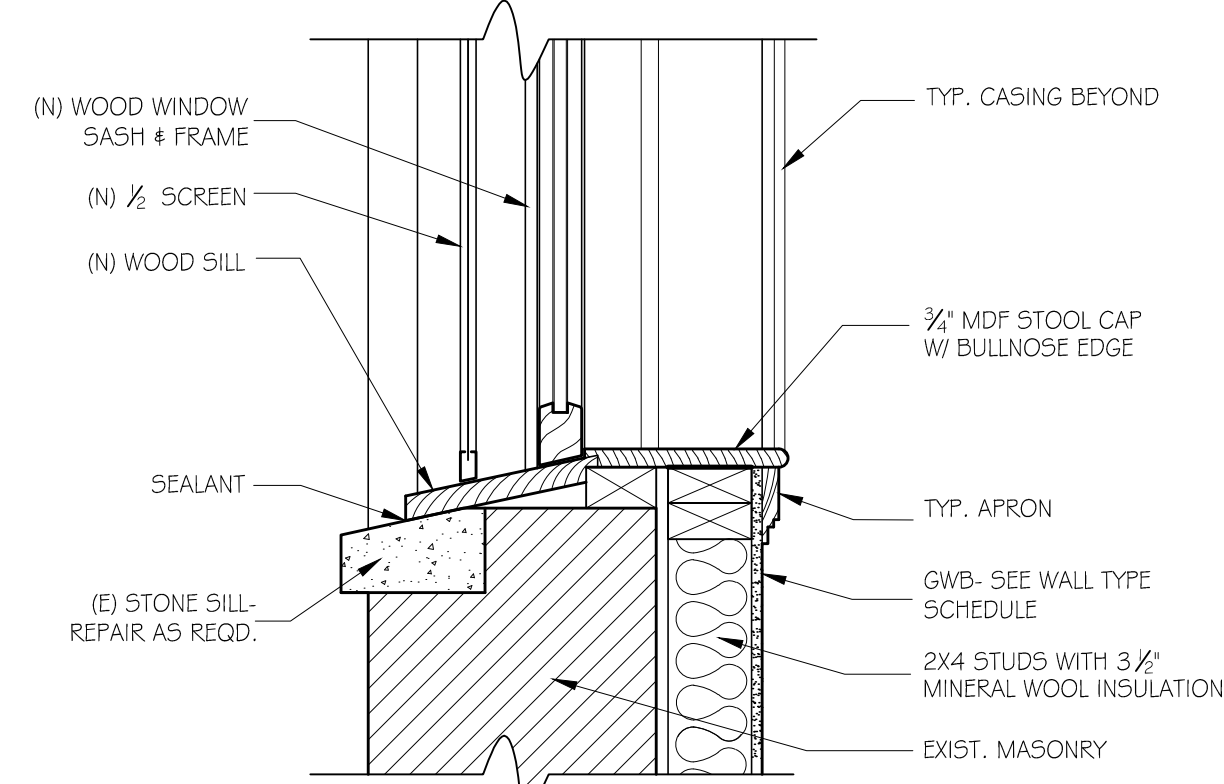
① BUILDING SECTION  
 1/4" = 1'-0"

JOB NO: 1905	SCALE: 1/4" = 1'-0"
DATE: 4/20/19	REVISED



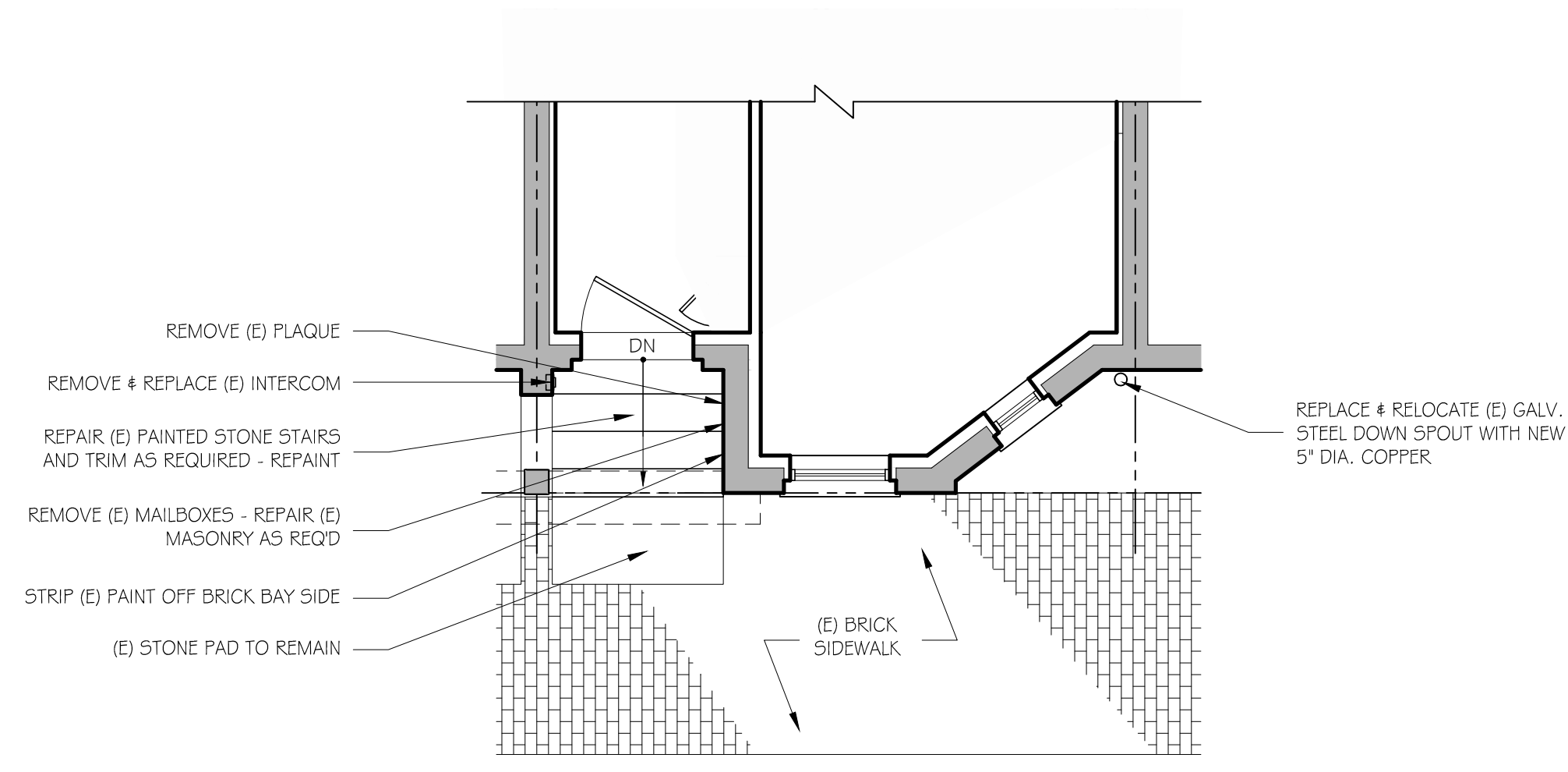
WINDOW HEAD @ (E) M.O.

1/2" = 1'-0"



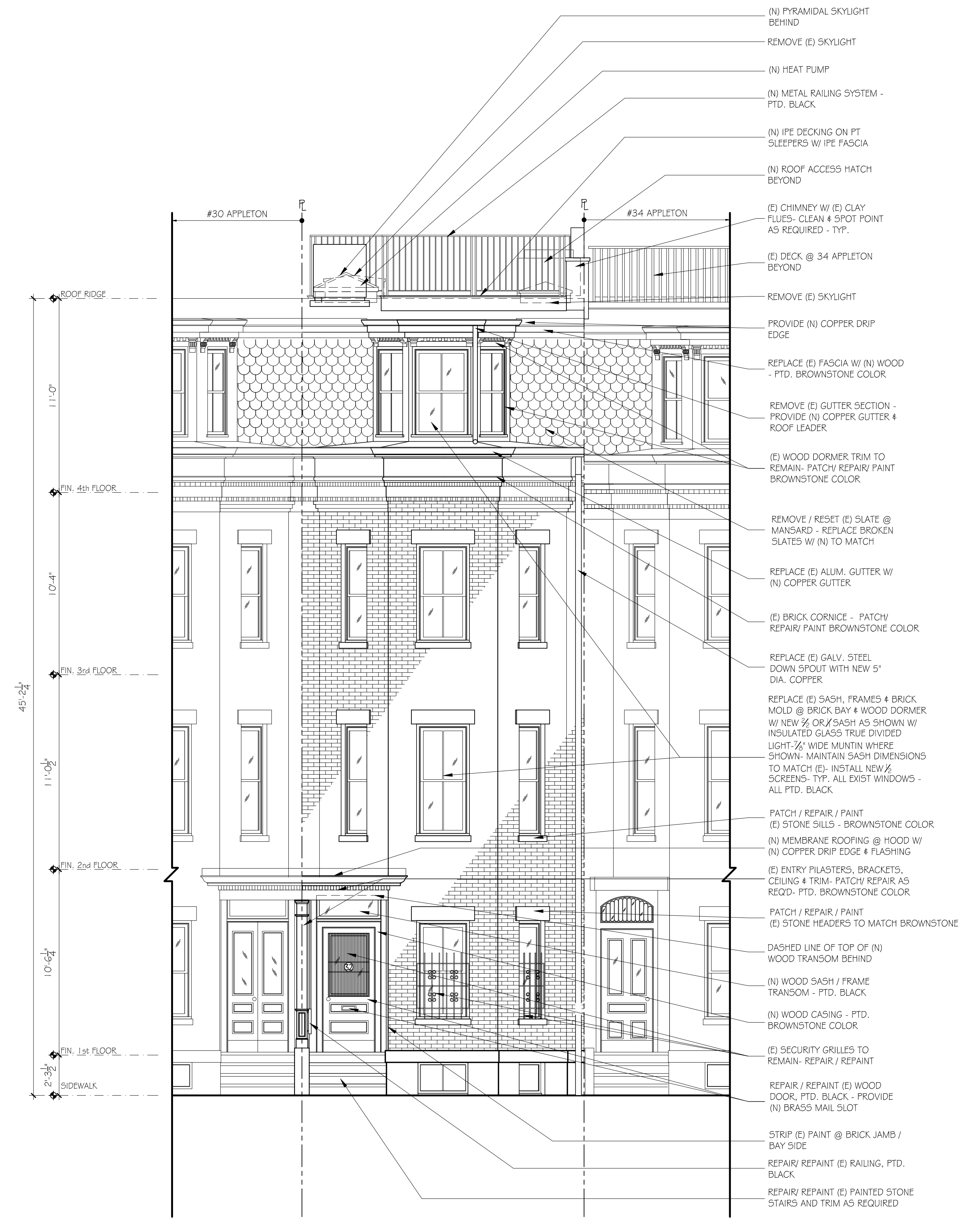
WINDOW SILL @ (E) M.O.

1/2" = 1'-0"



1 PARTIAL FIRST FLOOR PLAN

1/4" = 1'-0"



2 FRONT ELEVATION

1/4" = 1'-0"



EXISTING FRONT ENTRY WITH EXISTING MAILBOXES



EXISTING FRONT ENTRY WITH  
EXISTING INTERCOM & LIGHTING

EXISTING FRONT ELEVATION  
- 32 APPLETON



EXISTING FRONT DORMER





EXISTING FRONT BASEMENT WINDOW

EXISTING WINDOW HEADER & MOLDING





EXISTING WINDOW SILL &  
SECURITY GRILLE



EXISTING FRONT MASONRY STEPS



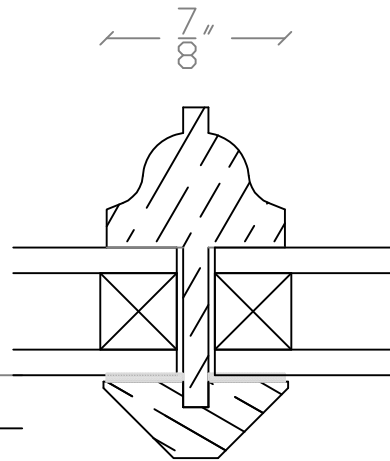
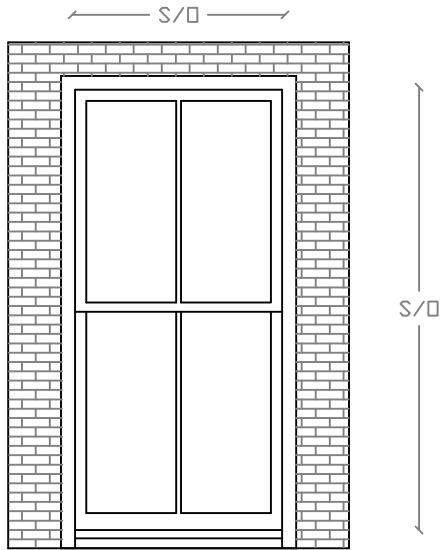


EXISTING WINDOW RAIL - INTERIOR

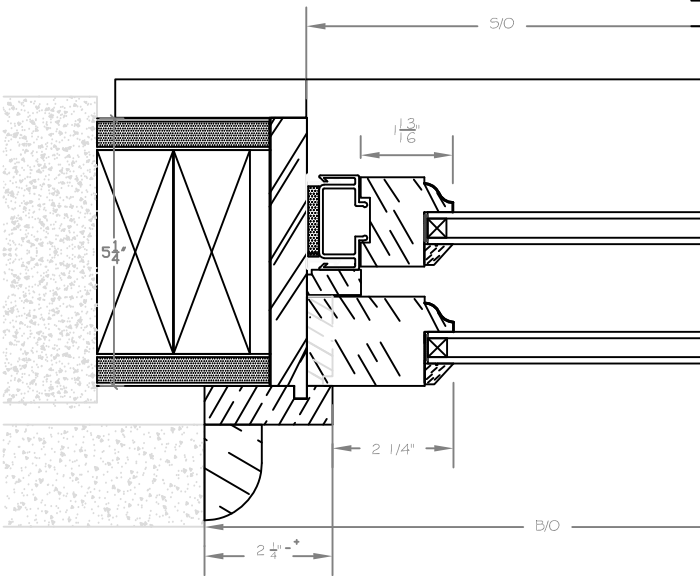
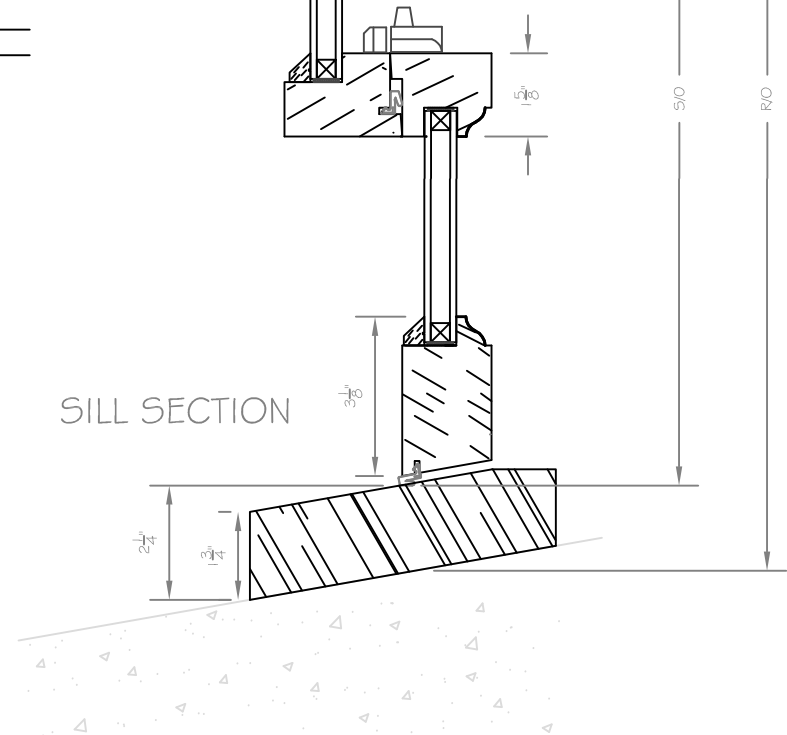
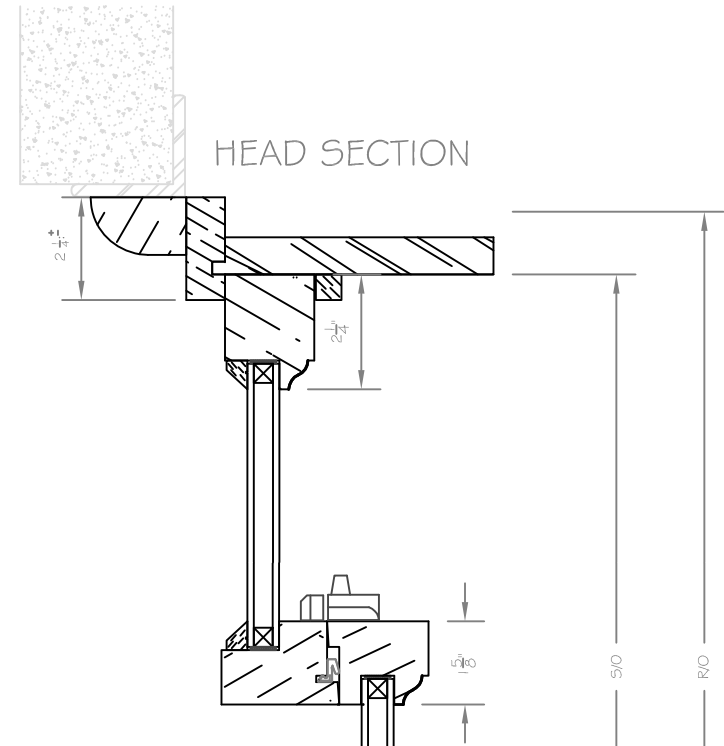
EXISTING WINDOW RAIL - INTERIOR



JB PROPER BOSTONIAN SH WINDOW UNIT



T.D.L. BAR  
FULL SCALE



DEALER: JB SASH & DOOR CO., INC.

NUMBER: DATE: 02/26/16

DRAWN: R.L.B.

CHECK:

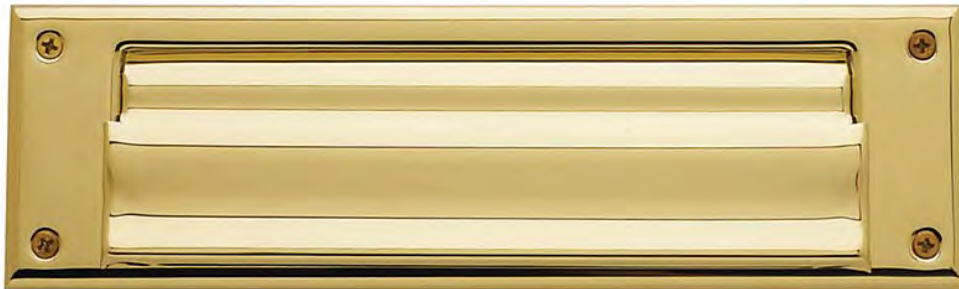
SHEET 1

JBPB SH REPL/UNIT - 2/2

OF 1

# LETTER BOX PLATES

**MODEL #: 0017.003**



(<http://s7d1.scene7.com/is/image/Baldwin/0017-003-c1?ProductDetailsEnlarge>)

**Q TAP AND HOLD IMAGE TO ZOOM**



[Write a review](#) [Ask a question](#)

## AVAILABLE FINISHES:



Lifetime Polished Brass

**Letter Box Plate, 10" x 3"**



**WHERE TO BUY (/WHERE-TO-BUY?HOMEHARDWARE=1)**

**ADD TO WISH LIST**



Click Image to Zoom

ENLARGE

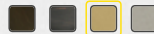
## V1996 Kickplates

V-PAC

**8" x 34", Brass**

Stock # N244-079

Finish:



Selected: Brass

Size:

6" x 30"

8" x 34"

\*Not all sizes are available in all finishes.

+ ADD TO PROJECT LIST

WHERE TO BUY »

### Product Overview

- Plate is easy to install
- Plastic cover protects finish during installation
- Includes fasteners
- Aluminum material
- Anodized surface for extra durability



#### Home Designs

A variety of knobs, pulls, cabinet catches and hinges designed to add the final detail to any kitchen or bathroom.

### Package Specifications

V-PAC

Stock #	N244-079
Catalog #	V1996
Material	Aluminum
UPC	038613244078
Quantity Per Package	1
Quantity Per Box	2 PK

### Documents



Technical Drawing



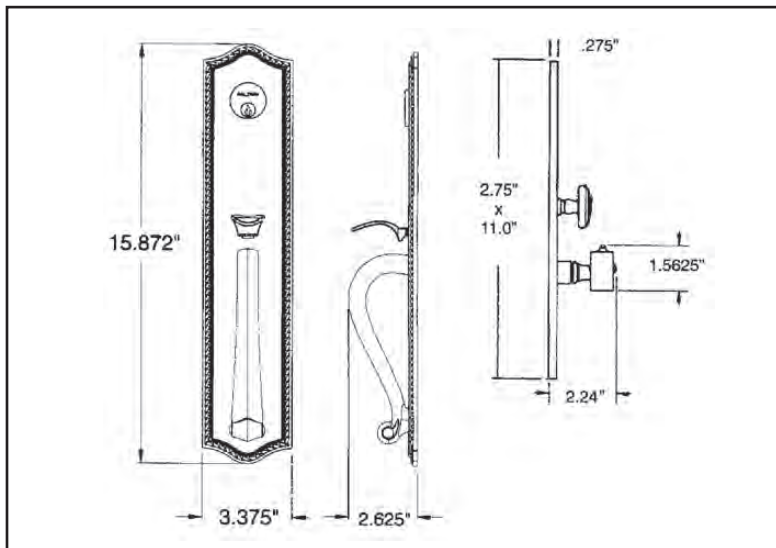
Line Art

### Related Products

# BALDWIN®

## 6963 - BRISTOL ESTATE HANDLESET

SPECIFICATIONS

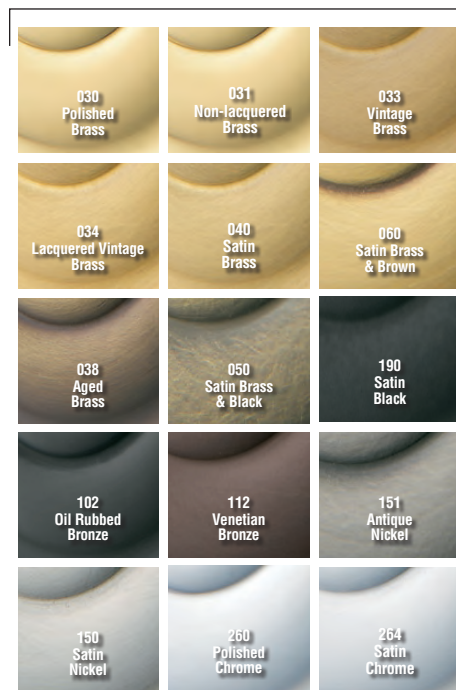


- > Accessibility Code (ADA) A117.1 for all levers.
- > Certified by Underwriters Laboratories (UL) for use on fire doors up to three-hour rating
- > U L10C / UBC 7-2 (1997) Positive Pressure Rated, UL10B Pressure Rated
- > Material: Solid Forged Brass

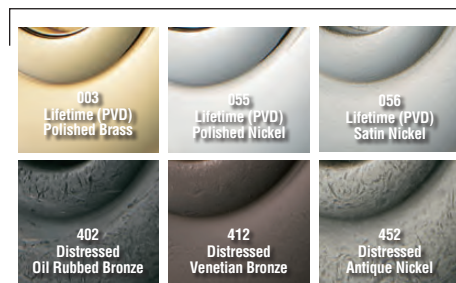
SHOWN WITH LEVER 5104



### TIER 1 FINISHES



### TIER 2 FINISHES





## AX-DV, AX-DVF Video Door Stations for AX Series



Dimensions:  
9 3/4"H x 5 3/4"W x 1 7/8"D

### DESCRIPTION:

The AX-DV is a surface mount color video door station for the AX Series. The AX-DVF is a flush mount color video door station. Both units wire directly to the AX Central Exchange Unit using CAT-5e wire with an RJ45 jack for connection.

The AX-DV has an aluminum die cast cover. The AX-DVF has a stainless steel faceplate. Both units include a camera, microphone, speaker, and call button. Tamper resistant screws are provided for mounting.

When the call button on the door station is pushed, the master station(s) ring and the video monitor comes on with the image from the door station's camera. The master station user then pushes the "TALK" button to initiate communication. The person at the door station speaks hands-free.

The AX door stations can be located up to 980' from the AX CEU and wired with CAT-5e cable. Additional equipment is available to interface with third party hardware for transmission over fiber optic cable or an IP network.

### FEATURES:

- Color video camera with audio intercom
- 2-way hands-free voice communication with AX master station
- Call button to initiate call to master(s)
- White LED illuminator for low light conditions
- RJ45 jack for easy CAT-5e connection
- Surface (AX-DV) or flush mount (AX-DVF) styles available
- 980' wiring distance from CEU on CAT-5e cable

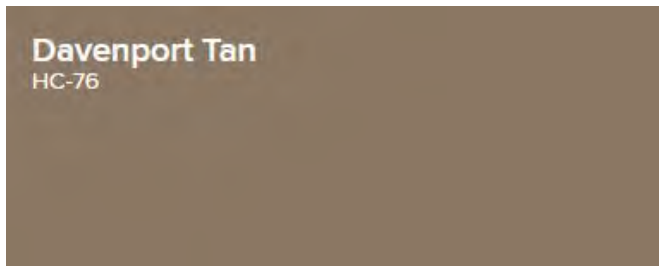
**Brass cover plate at parlor level entry**

**Covered with a brass finished housing box at lower entry**

## Paint Colors



Benjamin Moore Black 2132-10:  
For windows and railing systems at 32 Appleton St.



Benjamin Moore Davenport Tan HC-76:  
For existing stone lintels, sills, stairs, etc. at 32 Appleton St.