

THIS DRAWING PREPARED EXCLUSIVELY FOR



NEWBURY COMICS



NEWBURY STREET - BOSTON, MASSACHUSETTES

SHEET #	ITEM	DESCRIPTION	REV
1.0	A	AWNINGS W/ APPLIED OPAQUE VINYL GRAPHICS	1/30/19
2.0	B	SET OF FACE-LIT CHANNEL LETTERS MOUNTED TO CANOPY.	1/30/19
2.1	B	CANOPY MOUNTING DETAILS.	1/30/19
3.0	C	SET ITEM DELETED	—
		TO ITEM DELETED	
4.0	D	(2) REFURB AND REINSTALL EXISTING BLADE SIGNS	1/30/19

BARLO SIGNS
INTERNATIONAL
158 Greeley St., Hudson, NH 03051
(603) 882-2638 Fax: (603) 882-7880 For Service: 800-227-6674
© COPYRIGHT 2018 THE BARLO GROUP
This design concept is the property of the Barlo Group. All production and duplication rights are reserved by the Barlo Group. This print is designed for your personal use and is not to be used outside your organization or exhibited in any fashion.

PROJECT APPROVAL

Client:	Date:
Design: XXX	Date: XX/XX/XX
Sales:	Date:
Updating:	Date:
Production:	Date:

DESIGNER: CB
SALES REP: BARN
PM: BC

NEWBURY COMICS
348 NEWBURY STREET
BOSTON, MA 02115-2703
11/6/2018

COVER
SHEET 0.0

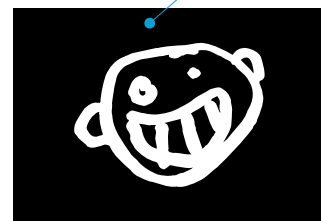


PROPOSED



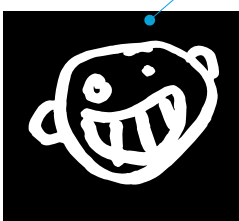
APPROX. SCALE: 1/4"=1'-0"

LOCATION 1 SUNBRELLA BLACK



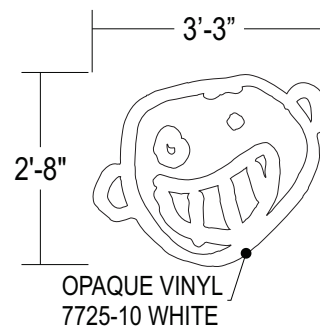
4'-4"

LOCATION 2 SUNBRELLA BLACK



3'-4"

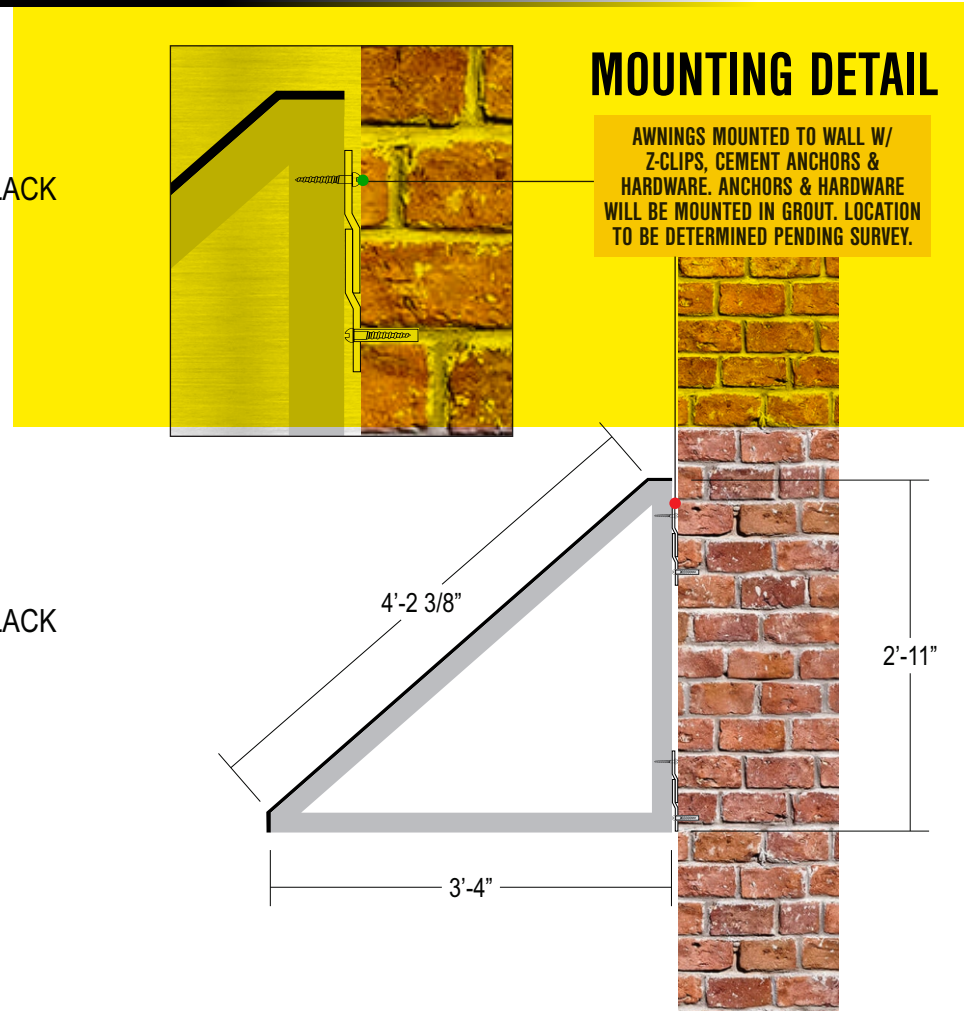
QUANTITY (2)



SITE SURVEY REQUIRED

THE PHOTO IS SKEWED SO THE SIZE & PLACEMENT OF THE AWNINGS IS FOR APPROXIMATE REPRESENTATION ONLY. ACTUAL SIZE & PLACEMENT OF AWNINGS MAY BE DIFFERENT FROM DRAWING ONCE INSTALLED.

MOUNTING DETAIL



AWNINGS MOUNTED TO WALL W/ Z-CLIPS, CEMENT ANCHORS & HARDWARE. ANCHORS & HARDWARE WILL BE MOUNTED IN GROUT. LOCATION TO BE DETERMINED PENDING SURVEY.

SCALE: NOT TO SCALE

SCOPE OF WORK

MANUFACTURE & INSTALL (1) 110"W SUNBRELLA BLACK AWNING W/ APPLIED OPAQUE VINYL TOOTHFACE LOGO. INSTALL ABOVE BOTH UPPER WINDOWS AS PICTURED.

(1) 52"W SUNBRELLA BLACK AWNING W/ APPLIED OPAQUE VINYL TOOTHFACE LOGO. INSTALL ABOVE WINDOW TO LEFT OF ENTRANCE AS PICTURED.

(1) 44"W SUNBRELLA BLACK AWNING W/ APPLIED OPAQUE VINYL TOOTHFACE LOGO. INSTALL ABOVE WINDOW TO RIGHT OF ENTRANCE AS PICTURED.

TOTAL SQUARE FEET: 11.4

CODE ALLOWANCE: 11.3 SQ FT

VARIANCE REQUIRED: N/A

COLOR SCHEDULE

AWNING BLACK

PROJECT APPROVAL

Client: _____ Date: _____
Design: XXX Date: XX/XX/XX
Sales: _____ Date: _____
Updating: _____ Date: _____
Production: _____ Date: _____

DESIGNER: CB
SALES REP: BARN
PM: BC

NEWBURY COMICS

348 NEWBURY STREET
BOSTON, MA 02115-2703

11/6/2018

ITEM

A

SHEET 1.0

SET OF FACE-LIT CHANNEL LETTERS MOUNTED TO CANOPY

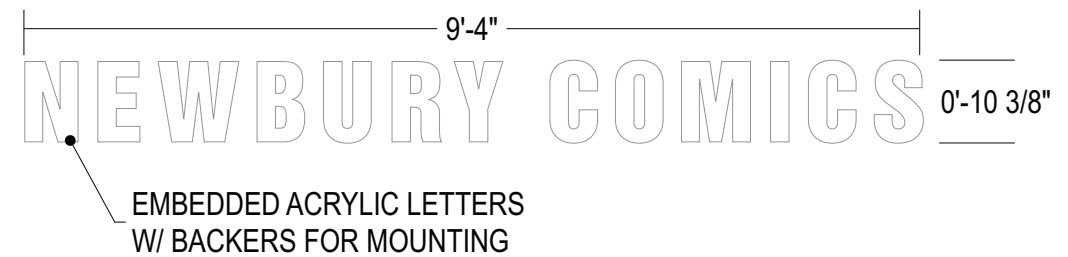
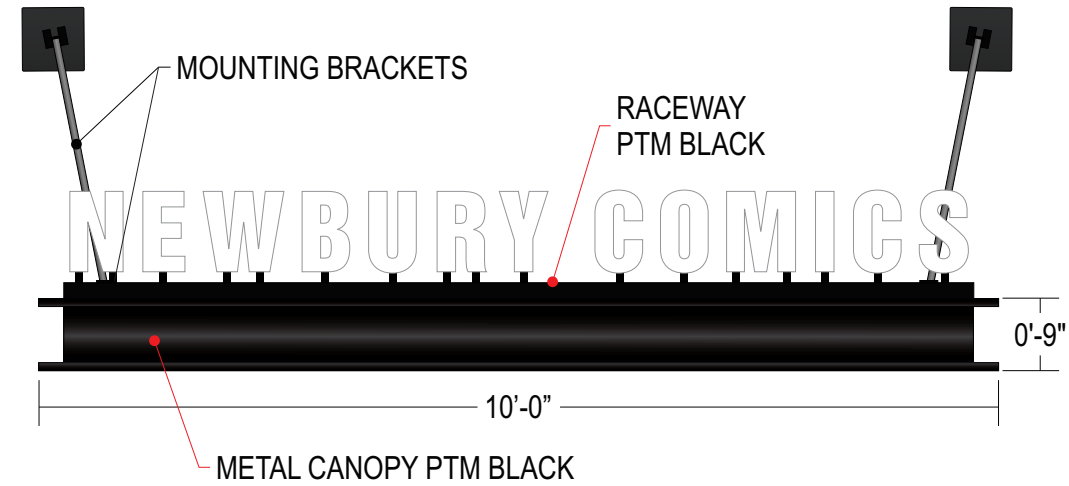
SCALE: 1/2"=1'-0"

PROPOSED

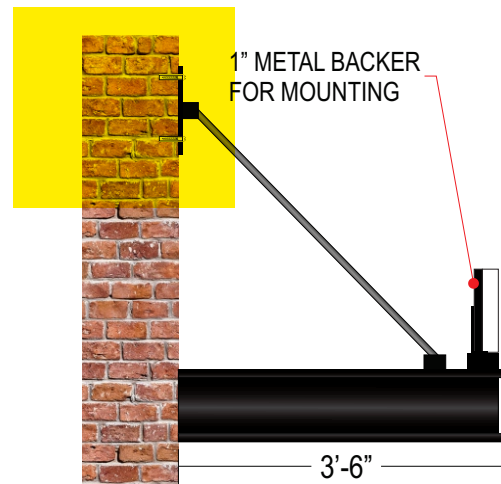


APPROX. SCALE: 1/4"=1'-0"

THE PHOTO IS SKEWED SO THE SIZE & PLACEMENT OF THE AWNINGS IS FOR APPROXIMATE REPRESENTATION ONLY. ACTUAL SIZE & PLACEMENT OF AWNINGS MAY BE DIFFERENT FROM DRAWING ONCE INSTALLED.



SEE PAGE 2.1 FOR CANOPY MOUNTING DETAIL



SCOPE OF WORK

MANUFACTURE & INSTALL (1) SET OF FACE-LIT CHANNEL LETTERS MOUNTED TO RACEWAY HOUSING POWER SUPPLIES. CHANNEL LETTERS AND RACEWAY ARE MOUNTED TO CANOPY.

CANOPY WILL BE MOUNTED ABOVE MAIN ENTRANCE WITH BRACKETS TO BRICK WALL.

THE CHANNEL LETTERS WILL BE FACE-LIT WITH WHITE LEDS.

SITE SURVEY REQUIRED

TOTAL SQUARE FEET: 9.29

CODE ALLOWANCE: N/A VARIANCE REQUIRED: N/A

COLOR SCHEDULE

- S/G WHITE ACRYLIC
- BLACK METAL BACKER

BARLO SIGNS
INTERNATIONAL
158 Greeley St. Hudson, NH 03051
(603) 882-2638 Fax: (603) 882-7880 For Service: 800-227-5674
© COPYRIGHT 2018 THE BARLO GROUP
This design concept is the property of the barlo group. All production and duplication rights are reserved by the barlo group. This print is designed for your personal use and is not to be used outside your organization or exhibited in any fashion.

PROJECT APPROVAL

Client:	Date:
Design: XXX	Date: XX/XX/XX
Sales:	Date:
Updating:	Date:
Production:	Date:

DESIGNER: CB
SALES REP: BARN
PM: BC

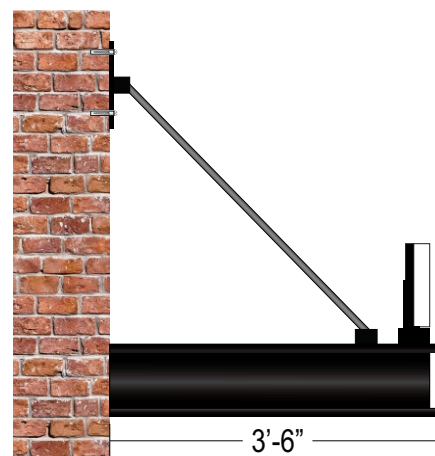
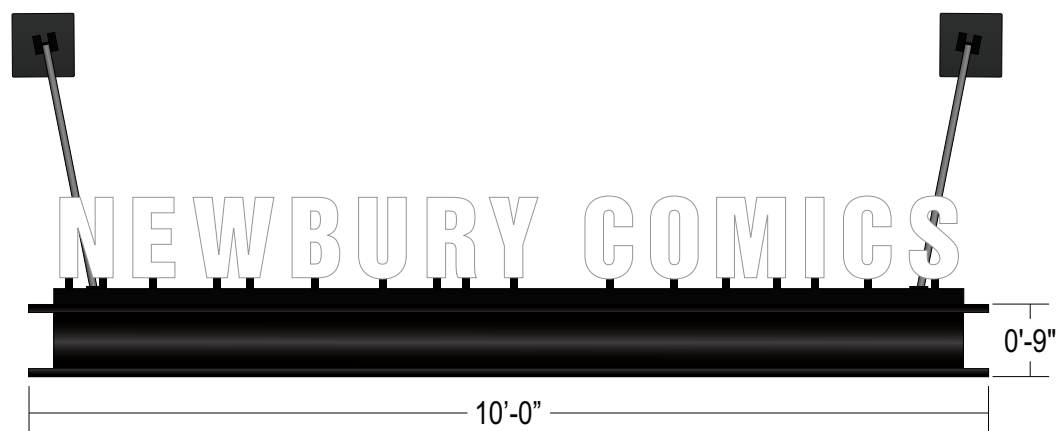
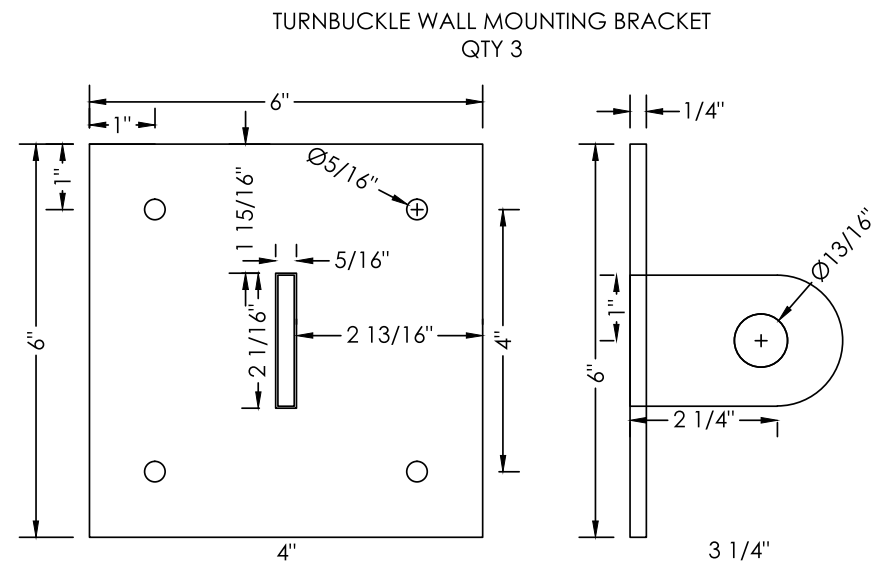
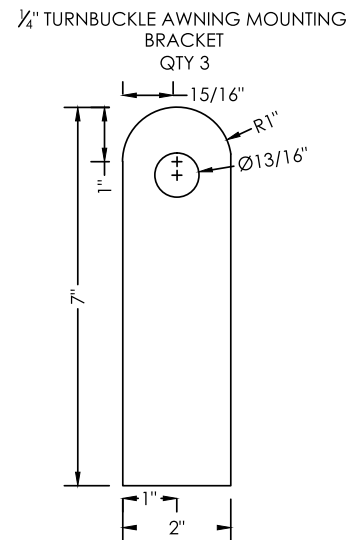
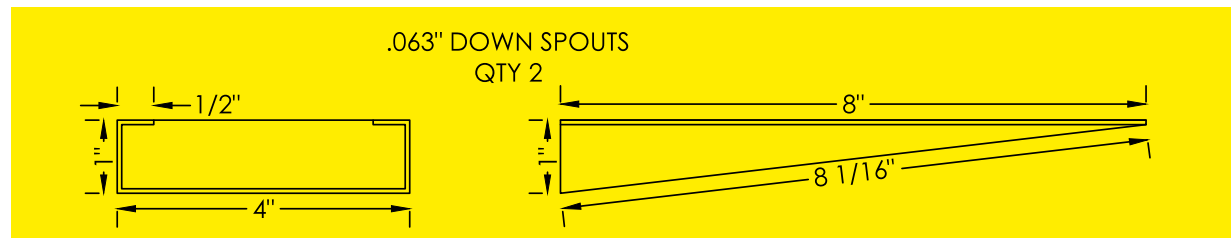
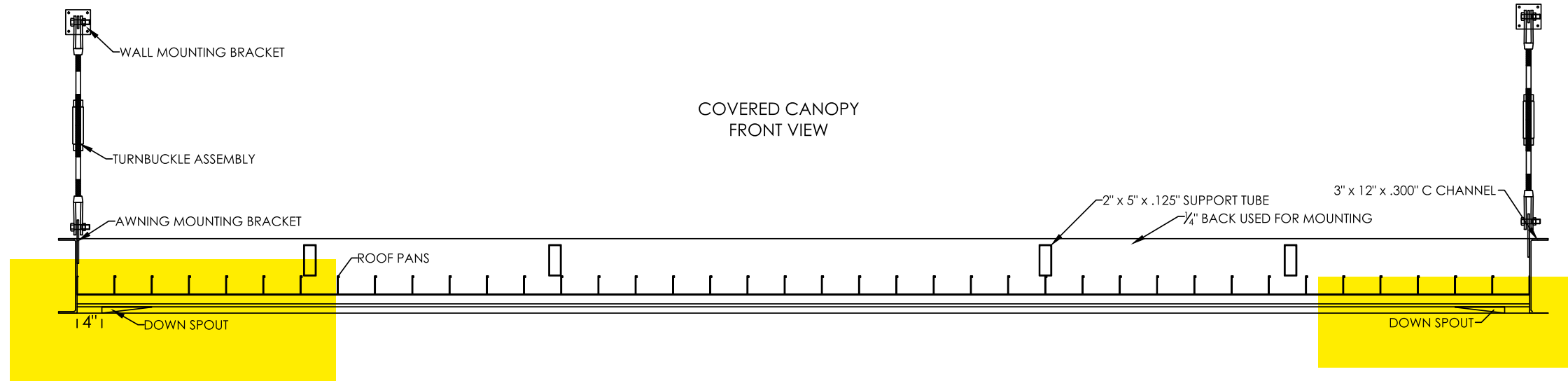
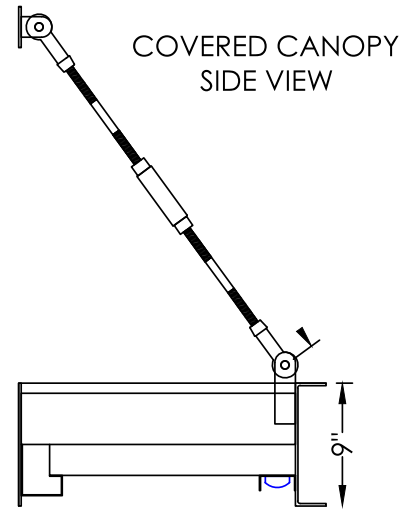
NEWBURY COMICS
348 NEWBURY STREET
BOSTON, MA 02115-2703
11/6/2018

ITEM **B**

SHEET 2.0

CANOPY MOUNTING DETAILS

SCALE: NOT TO SCALE



BARLO SIGNS
INTERNATIONAL
158 Greeley St., Hudson, NH 03051
(603) 882-2638 Fax: (603) 882-7880 For Service: 800-227-5674
© COPYRIGHT 2018 THE BARLO GROUP
This design concept is the property of the barlo group. All production and duplication rights are reserved by the barlo group. This print is designed for your personal use and is not to be used outside your organization or exhibited in any fashion.

PROJECT APPROVAL

Client:	Date:
Design: XXX	Date: XX/XX/XX
Sales:	Date:
Updating:	Date:
Production:	Date:

DESIGNER: CB
SALES REP: BARN
PM: BC

NEWBURY COMICS

348 NEWBURY STREET
BOSTON, MA 02115-2703

11/6/2018

ITEM **B**

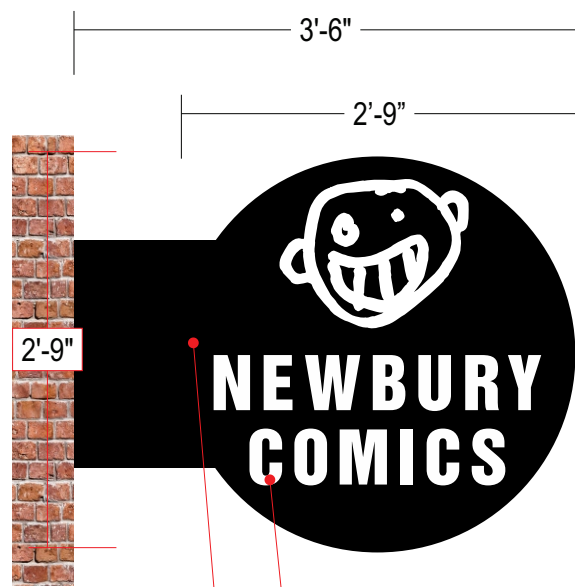
SHEET 2.1

(2) REFURB AND REINSTALL EXISTING BLADE SIGNS

SCALE: 3/4"=1'-0"



APPROX. SCALE: 1/4"=1'-0"



APPLIED OPAQUE VINYL
7725-10 WHITE

ALUMINUM FACE
PTM BLACK

EXISTING SIGN



REMOVE QUANTITY (2) EXISTING BLADE SIGNS & REINSTALL AFTER REFURB.

SCOPE OF WORK

REMOVE & BRING TO SHOP (2) EXISTING BLADE SIGNS FROM 322 NEWBURY STREET. BRING BACK TO BARLO, REPAINT BLACK, SERVICE IF NEEDED, APPLY NEW FACES AND RE-INSTALL AT THIS LOCATION. INSTALL LOCATION TBD PENDING SITE SURVEY

MANUFACTURE & INSTALL (4) 33" DIAMETER ALUMINUM SIGN FACES WITH APPLIED OPAQUE VINYL 7725-10 WHITE @ UPDATED BRANDING.



SITE SURVEY REQUIRED

THE PHOTO IS SKEWED SO THE SIZE & PLACEMENT OF THE AWNINGS IS FOR APPROXIMATE REPRESENTATION ONLY. ACTUAL SIZE & PLACEMENT OF AWNINGS MAY BE DIFFERENT FROM DRAWING ONCE INSTALLED.

TOTAL SQUARE FEET: 7.56 EACH

CODE ALLOWANCE: N/A

VARIANCE REQUIRED: N/A

COLOR SCHEDULE

7725-10 WHITE

ALUMINUM CIRCLE FACE
PTM BLACK

BARLO SIGNS
INTERNATIONAL
158 Greeley St., Hudson, NH 03051
(603) 882-2638 Fax: (603) 882-7880 For Service: 800-227-5674
© COPYRIGHT 2018 THE BARLO GROUP
This design concept is the property of the barlo group. All production and duplication rights are reserved by the barlo group. This print is designed for your personal use and is not to be used outside your organization or exhibited in any fashion.

PROJECT APPROVAL

Client: _____ Date: _____
Design: XXX Date: XX/XX/XX
Sales: _____ Date: _____
Updating: _____ Date: _____
Production: _____ Date: _____

DESIGNER: CB
SALES REP: BARN
PM: BC

NEWBURY COMICS

348 NEWBURY STREET
BOSTON, MA 02115-2703

11/6/2018

ITEM D

SHEET 4.0