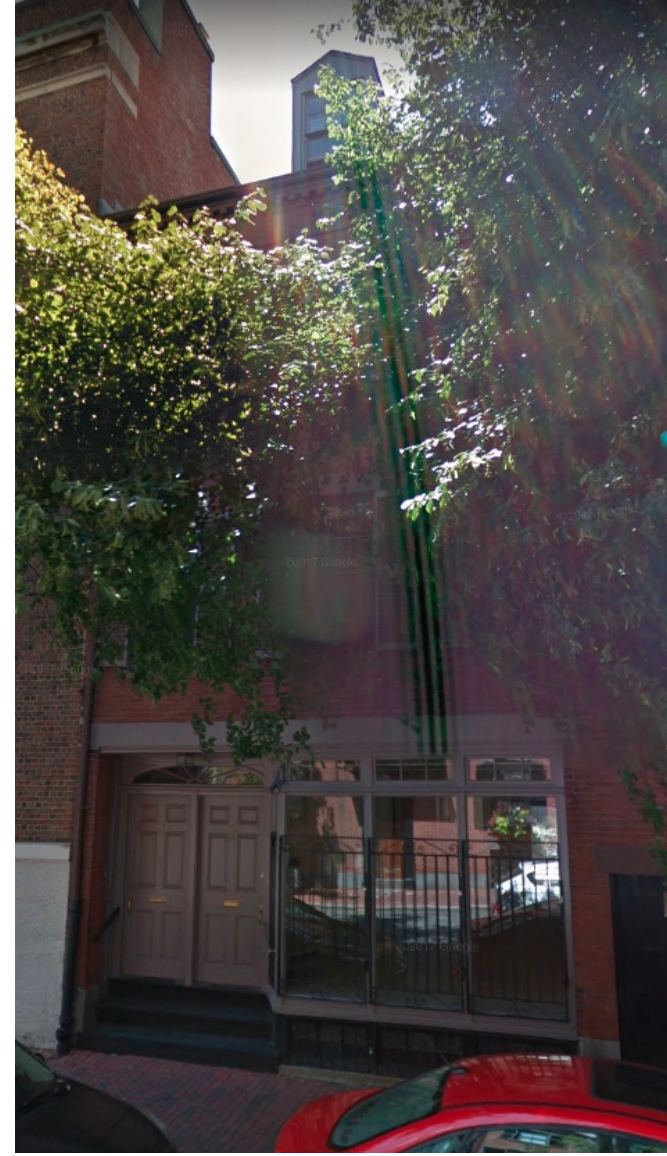




FRONT ELEVATION FROM  
CHESTNUT STREET



DATE:  
11/8/18

SCALE:

**#86 CHESTNUT ST.  
BEACON HILL  
BOSTON, MA**

DUSTIN NOLIN R.A.  
745 BOYLSTON STREET  
7th FLOOR  
BOSTON, MA 02116  
781.718.8009  
dustin@dna-architecture.com

**DNA**  
ARCHITECTURE

**A1**



**EXISTING ELEVATION**

**PROPOSED ELEVATION**



EXISTING STORE FRONT WINDOW



**PROPOSED WINDOW CONFIGURATION**

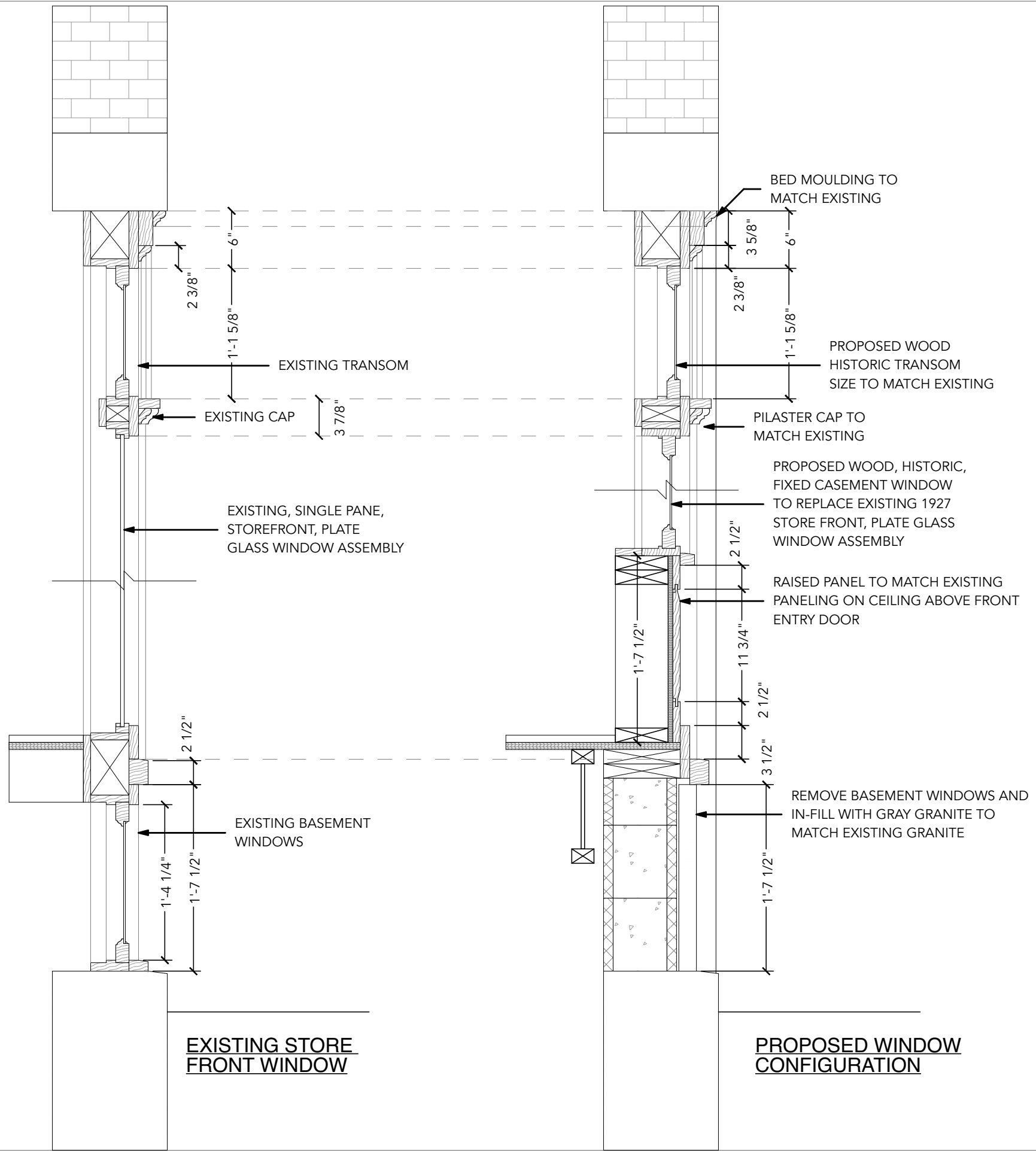
**#86 CHESTNUT ST.  
BEACON HILL  
BOSTON, MA**

SCALE:  
1/2" = 1'-0"

DATE:  
11/8/18

REV:

DUSTIN NOLIN R.A.  
745 BOYLSTON STREET  
7th FLOOR  
BOSTON, MA 02116  
781.718.8009  
dustin@dna-architecture.com



SCALE:  
1" = 1'-0"

DATE:  
11/8/18

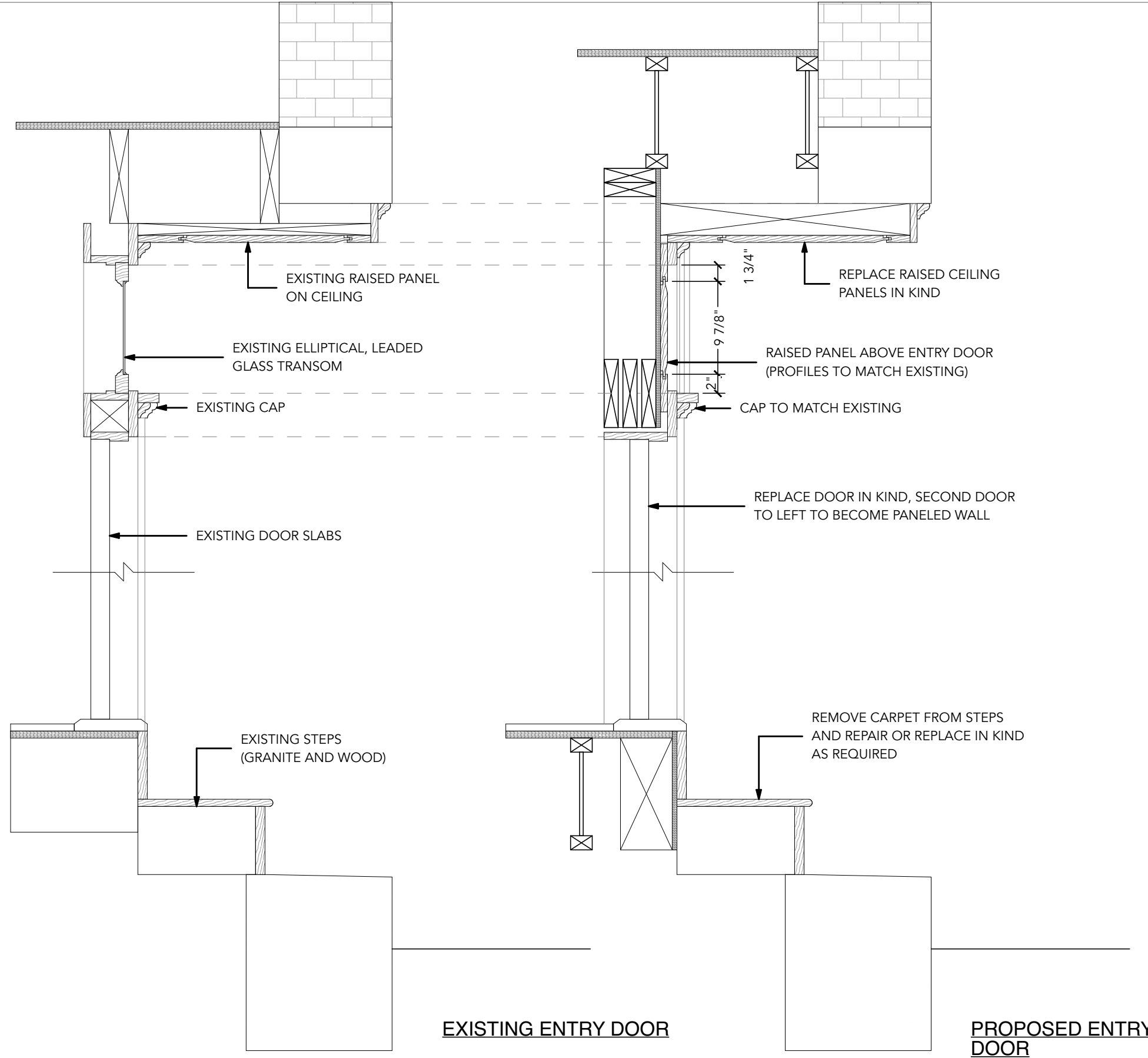
REV:

**#86 CHESTNUT ST.**  
**BEACON HILL**  
**BOSTON, MA**

DUSTIN NOLIN R.A.  
745 BOYLSTON STREET  
7th FLOOR  
BOSTON, MA 02116  
781.718.8009  
dustin@dna-architecture.com



**A5**



**#86 CHESTNUT ST.  
BEACON HILL  
BOSTON, MA**

DUSTIN NOLIN R.A.  
745 BOYLSTON STREET  
7th FLOOR  
BOSTON, MA 02116  
781.718.8009  
dustin@dna-architecture.com

SCALE:  
1" = 1'-0"

DATE:  
11/8/18

REV:



**A6**



EXISTING ENTRY DOOR & STORE WINDOW

DATE:  
11/8/18

REV:

SCALE:

**#86 CHESTNUT ST.  
BEACON HILL  
BOSTON, MA**

DUSTIN NOLIN R.A.  
745 BOYLSTON STREET  
7th FLOOR  
BOSTON, MA 02116  
781.718.8009  
dustin@dna-architecture.com

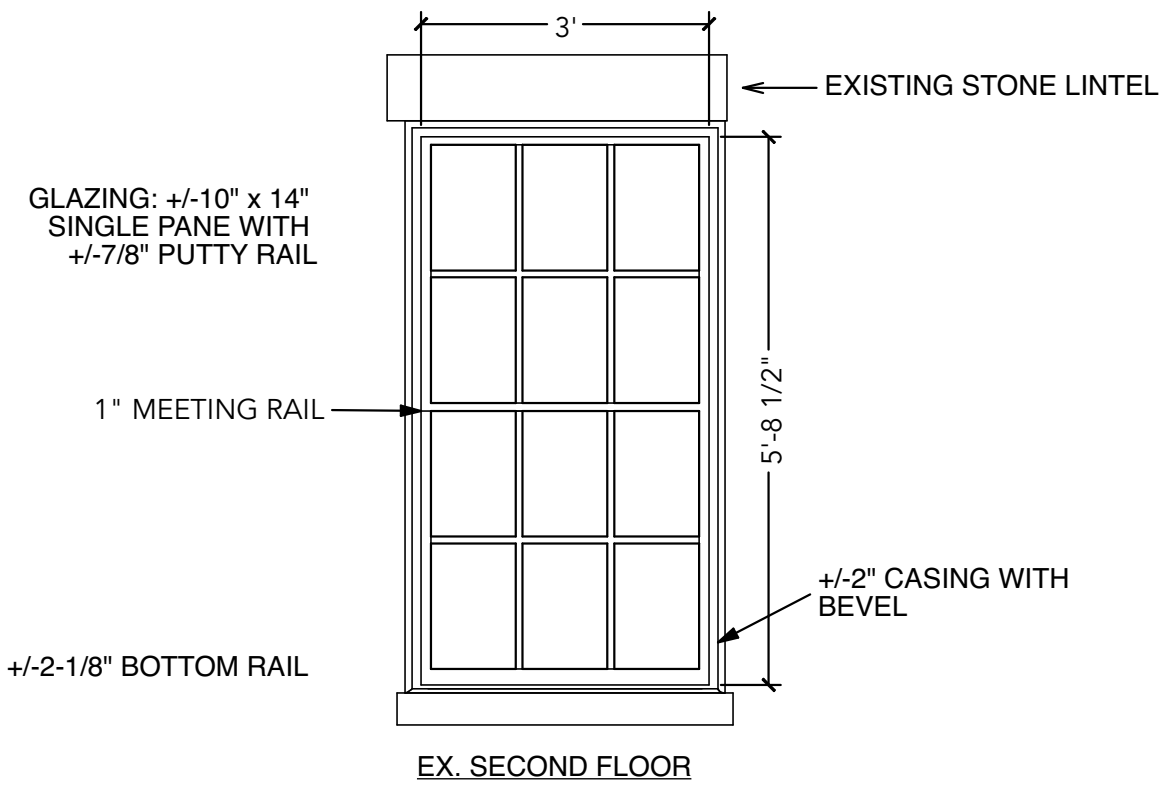
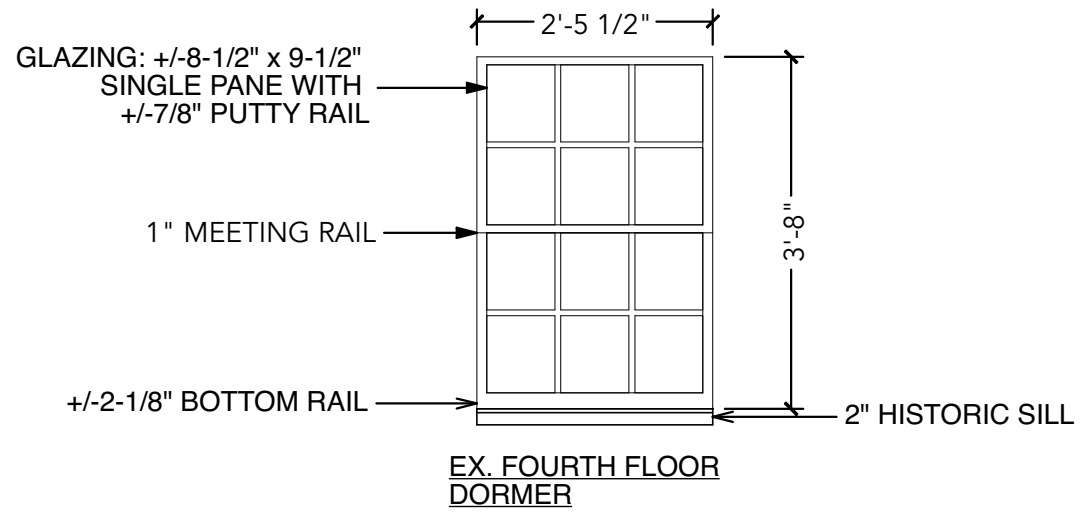
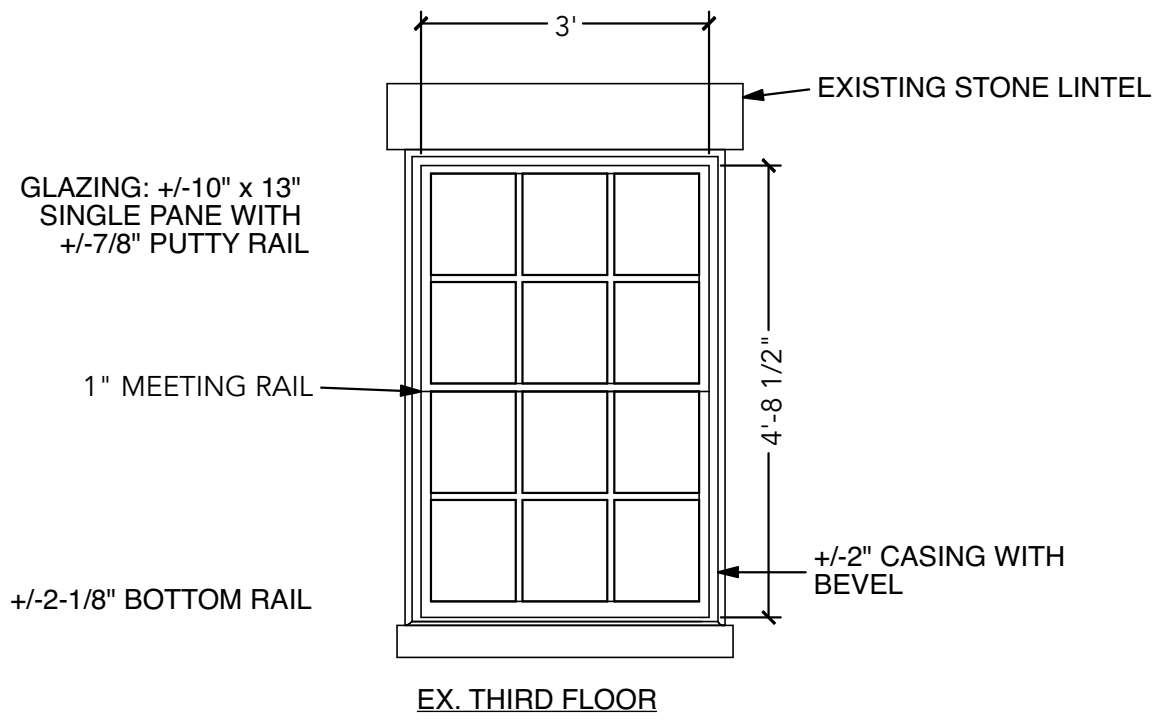
**DNA**  
ARCHITECTURE

**A7**

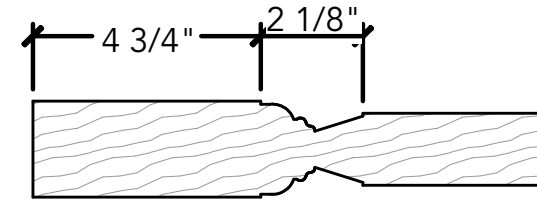
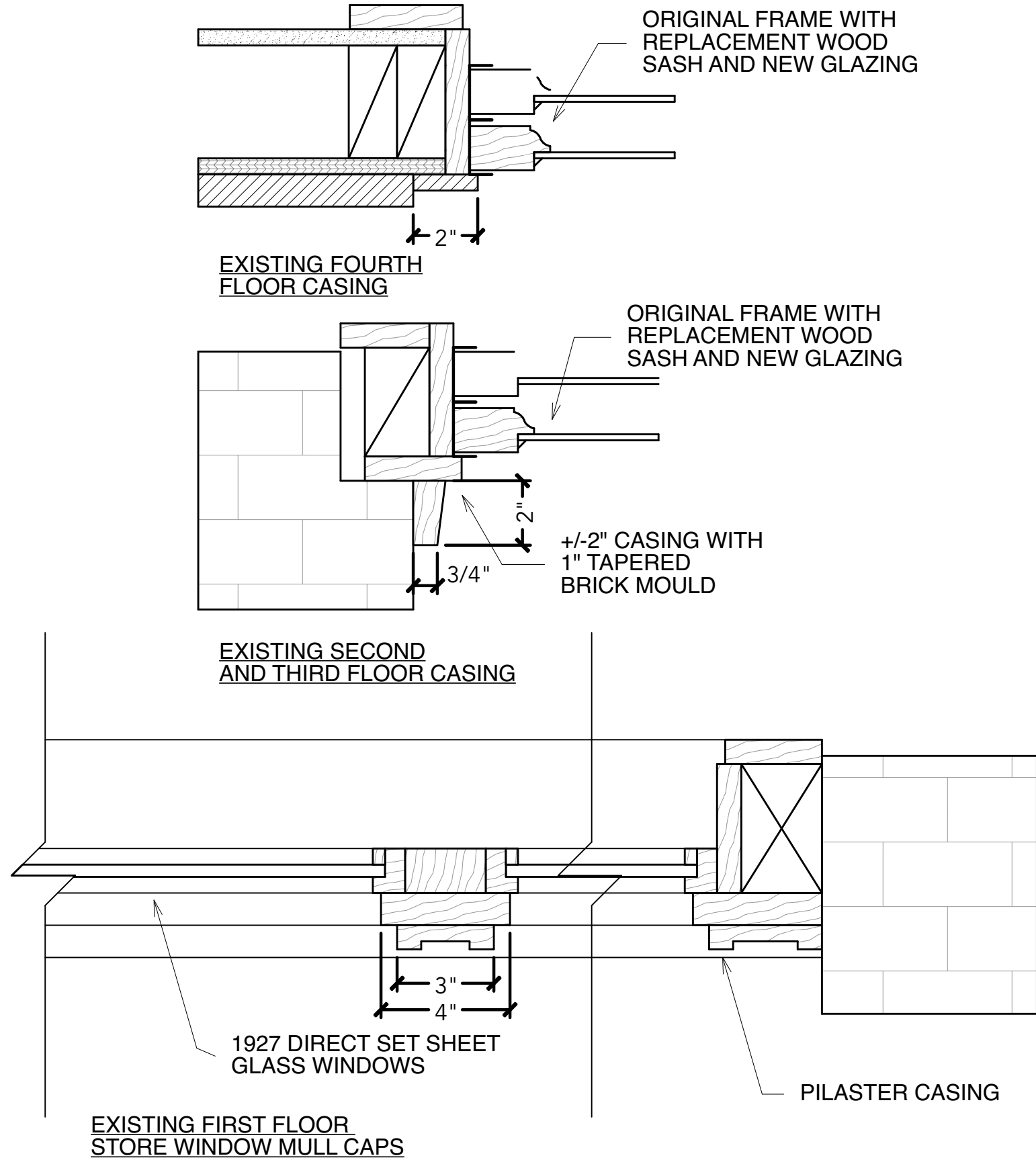


EXISTING ENTRY DOOR & STORE WINDOW





NOTE: EXISTING WINDOW DIMENSIONS ARE SHOWN. PROPOSED WINDOWS ARE TO MATCH SASH DIMENSIONS TO MAINTAIN SAME APPEARANCE AND CASING REVEAL ON EXTERIORS.



EXISTING DOOR PROFILE

#86 CHESTNUT ST.  
 BEACON HILL  
 BOSTON, MA

SCALE:  
 1/2" = 1'-0"

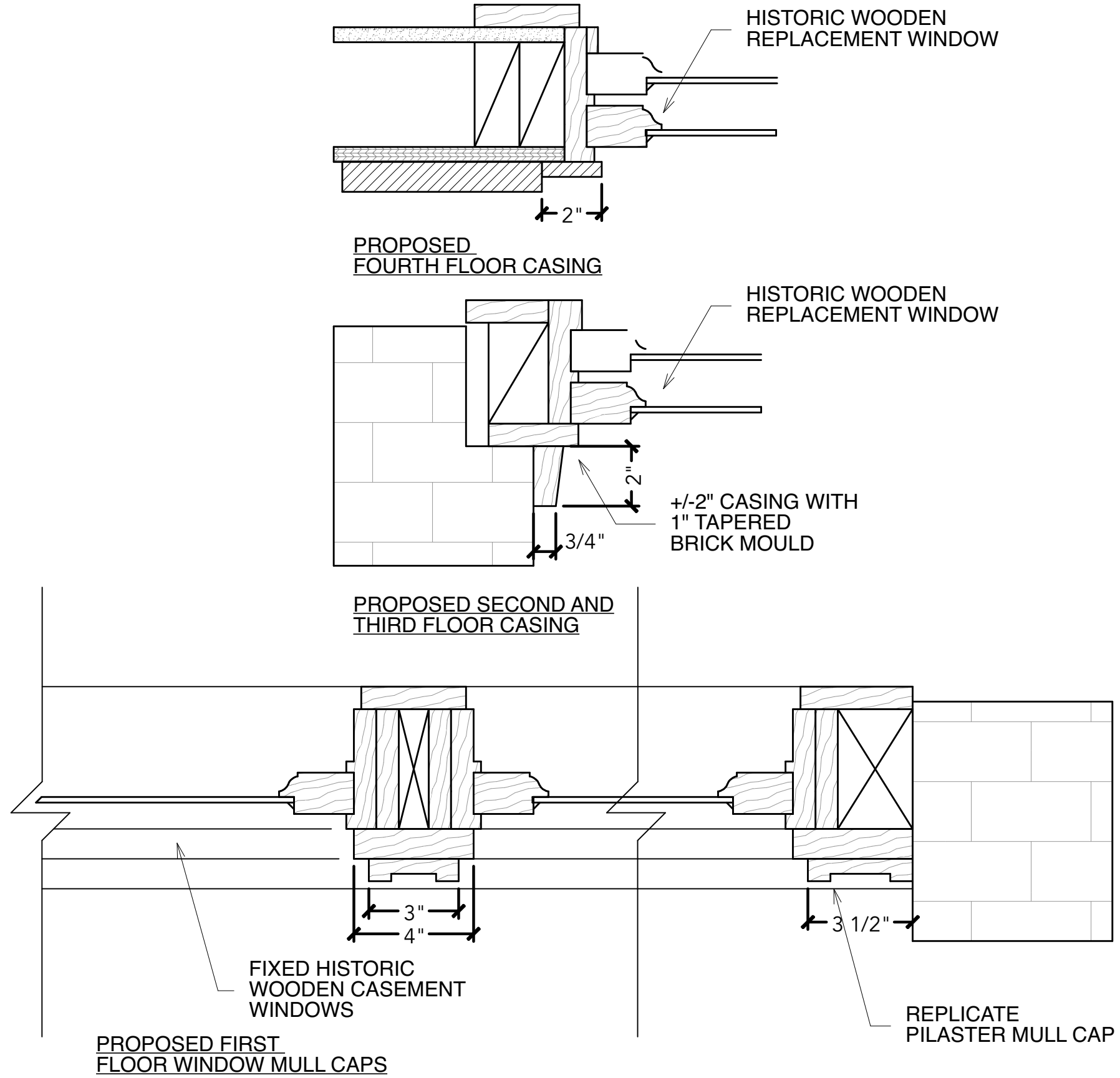
DATE:  
 11/8/18

REV:

A10

DUSTIN NOLIN R.A.  
 745 BOYLSTON STREET  
 7th FLOOR  
 BOSTON, MA 02116  
 781.718.8009  
 dustin@dna-architecture.com







EXISTING DOUBLE HUNG WINDOWS  
(SASHES HAVE BEEN REPLACED)

DATE:  
11/8/18

REV:

SCALE:

**#86 CHESTNUT ST.**  
**BEACON HILL**  
**BOSTON, MA**

DUSTIN NOLIN R.A.  
745 BOYLSTON STREET  
7th FLOOR  
BOSTON, MA 02116  
781.718.8009  
dustin@dna-architecture.com

**DNA**  
ARCHITECTURE

**A12**



EXISTING DOUBLE HUNG WINDOWS  
(SASHES HAVE BEEN REPLACED)

DATE:  
11/8/18

REV:

SCALE:

**#86 CHESTNUT ST.**  
**BEACON HILL**  
**BOSTON, MA**

DUSTIN NOLIN R.A.  
745 BOYLSTON STREET  
7th FLOOR  
BOSTON, MA 02116  
781.718.8009  
dustin@dna-architecture.com

**DNA**  
ARCHITECTURE

**A13**



CRACKED STUCCO @ LINTEL



CRACKED STUCCO @ LINTEL



CRACKED LINTEL



EXISTING SLATE ROOF AND SIDE WALL OF DORMER



EXISTING WINDOW AND LINTEL



EXISTING DORMER



EXISTING GUTTER

DATE:  
11/8/18

REV:

SCALE:

#86 CHESTNUT ST.  
BEACON HILL  
BOSTON, MA

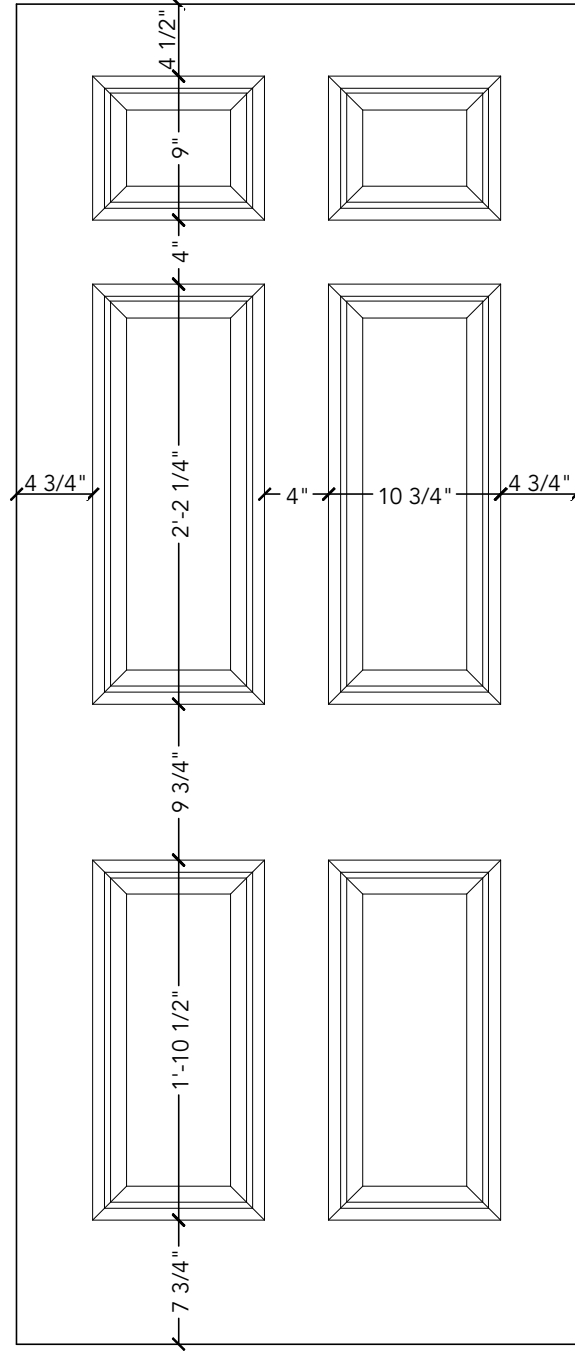
DUSTIN NOLIN R.A.  
745 BOYLSTON STREET  
7th FLOOR  
BOSTON, MA 02116  
781.718.8009  
dustin@dna-architecture.com

**DNA**  
ARCHITECTURE

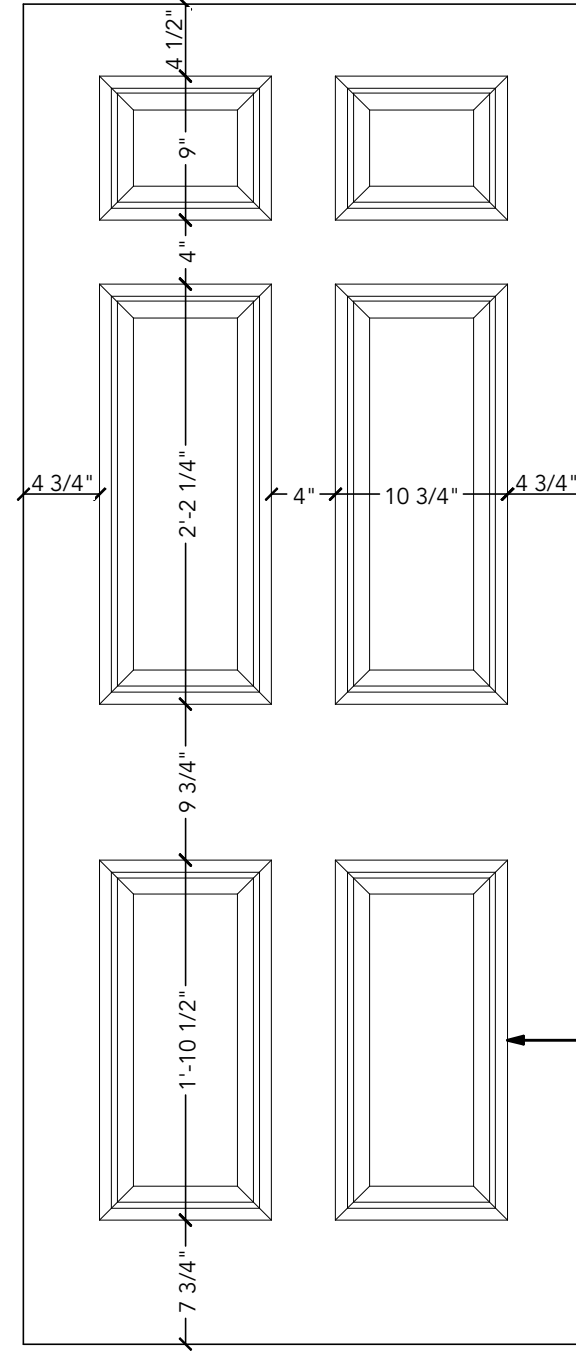
**A15**



**EXISTING ENTRY DOOR  
DAMAGED AT HANDLE**



**EXISTING DOOR SLAB**



**PROPOSED DOOR  
SLAB TO MATCH EXISTING**

← REPLICATE PANEL DETAIL

**DATE:**  
11/8/18

**REV:**

**SCALE:**  
1" = 1'-0"

**#86 CHESTNUT ST.  
BEACON HILL  
BOSTON, MA**

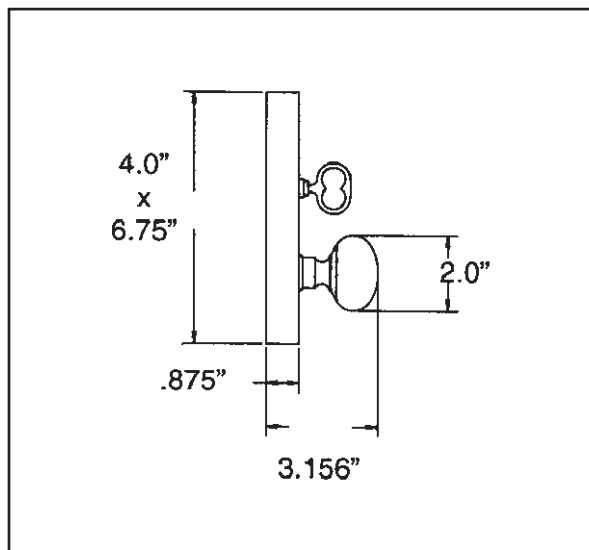
DUSTIN NOLIN R.A.  
745 BOYLSTON STREET  
7th FLOOR  
BOSTON, MA 02116  
781.718.8009  
dustin@dna-architecture.com



# BALDWIN®

## 6550 - GEORGETOWN ESTATE ENTRYSET

### SPECIFICATIONS

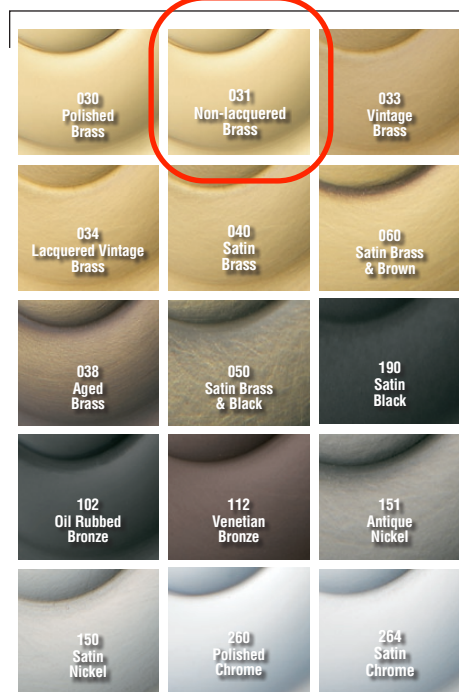


- > Certified by Underwriters Laboratories (UL) for use on fire doors up to three-hour rating
- > U L10C / UBC 7-2 (1997) Positive Pressure Rated, UL10B Pressure Rated
- > Material: Solid Forged Brass

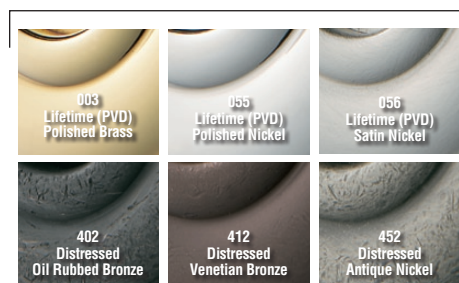
SHOWN WITH KNOB 5000

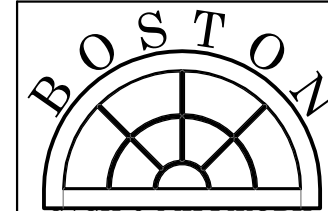


#### TIER 1 FINISHES



#### TIER 2 FINISHES





**SASH & MILLWORK**  
 667 SPRING STREET  
 NORTH DIGHTON, MA. 02764  
 PHONE # (508) 880-8808  
 FAX # (508) 880-8828  
 WWW.BOSTONSASH.COM

**B.S. STANDARDS**  
 D.H. B.B.U. OPTION 5  
 DESCRIPTION:  
 ELEVATION, SECTIONS & NOTES  
 BEACON HILL PROFILE

JOB: P.O.# N/A  
 DEALER N/A  
 CONTRACTOR N/A  
 ARCHITECT N/A  
 PROJECT MANAGER N/A  
 DRAWN BY: KEITH KUTHAN  
 DATE: 11/11/2015  
 SCALE: NOTED  
 DWG. NO: SK2B5.0  
 SHEET: 1 OF 6

## STANDARD

- 5-1/2" UNIT DEPTH
- ANNEALED SINGLE STRENGTH GLASS, INSULATED GLASS UNIT
- UTILE MAHOGANY FRAME & SASH
- STANDARD 1-1/2" THICK WESTERN RED CEDAR SILLS
- PRIMED EXTERIOR/ RAW INTERIOR
- AMESBURY CONCEALED BALANCES
- FULLY WEATHER SEALED
- 7/8" S.D.L. MUNTIN GRILL CONFIGURATIONS

## SIZING

- U.W. = G.W.+5-1/2"
- S.O.W.=G.W.+4"
- O.A.S.W.= G.W.+3-9/16"
- D.L.O.W.=G.W.-9/16"
- U.H. = (U.G.H.+L.G.H.)+9-3/32"
- S.O.H.= (U.G.H.+L.G.H.)+5-15/32"
- U.S.H.=U.G.H.+3-1/32"
- L.S.H.=L.G.H.+3-3/4"
- D.L.O.H.=G.H.-9/16"

## STD. HARDWARE

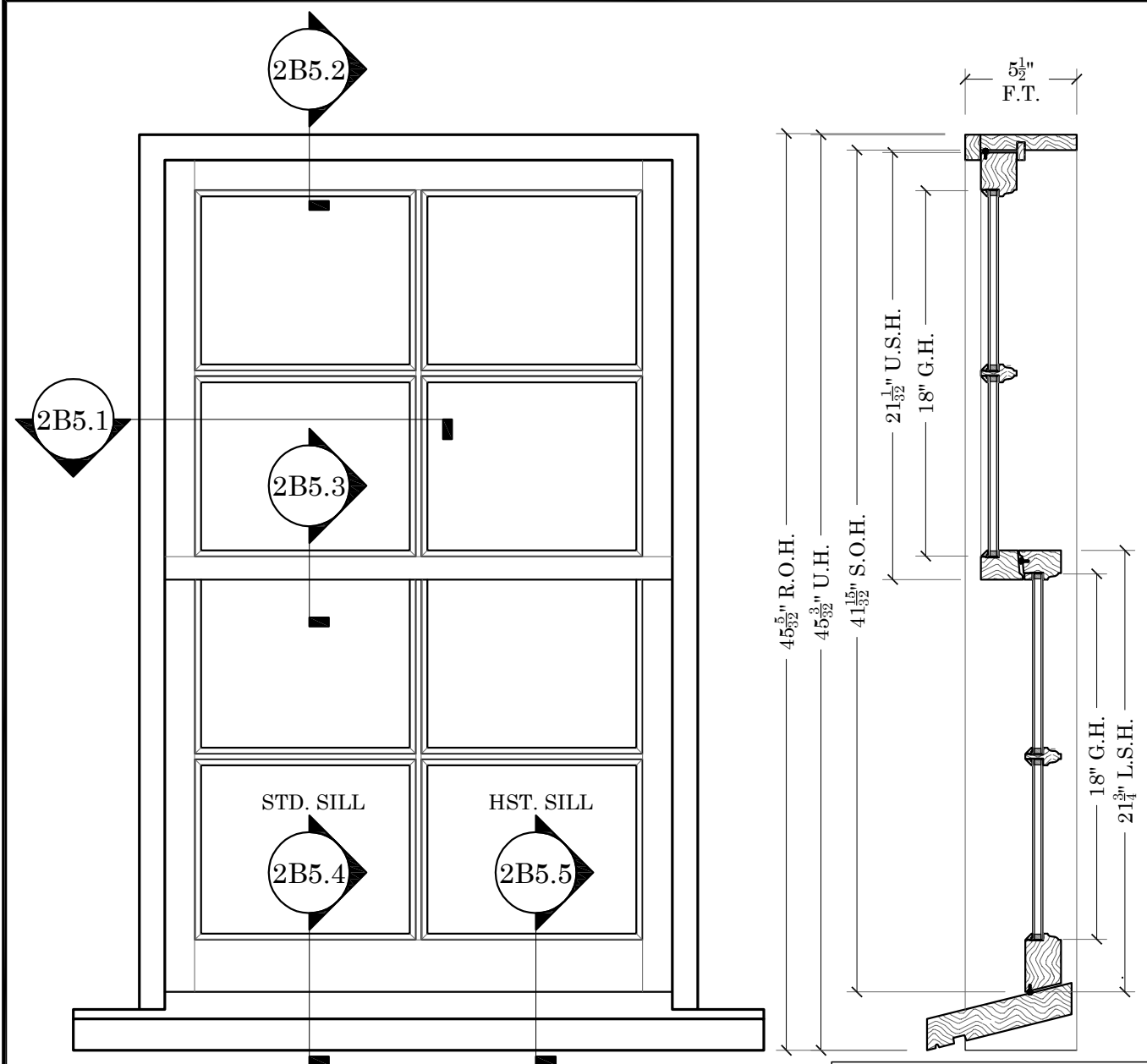
- AMESBURY 186 CONCEALED BALANCES

## EGRESS INFO.

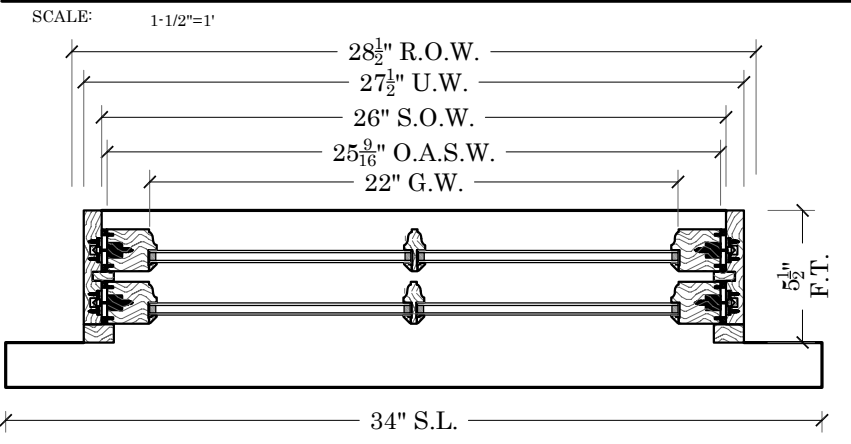
- MINIMUM UNIT SIZES TO PASS 20"X24" C.O. MA. EGRESS
- SIZES BASED ON STANDARD 3/4" THICK WINDOW STOOL AND A 1-1/4" MAX HEIGHT SASH LOCK ALLOWANCE
- 24"X20" UNIT DIMENSIONS 26-1/2"W. X 51"H.
- 20"X24" UNIT DIMENSIONS 22-1/2"W. X 59"H

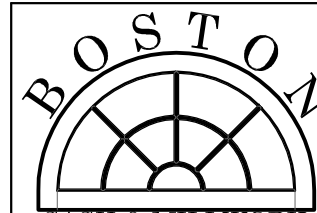
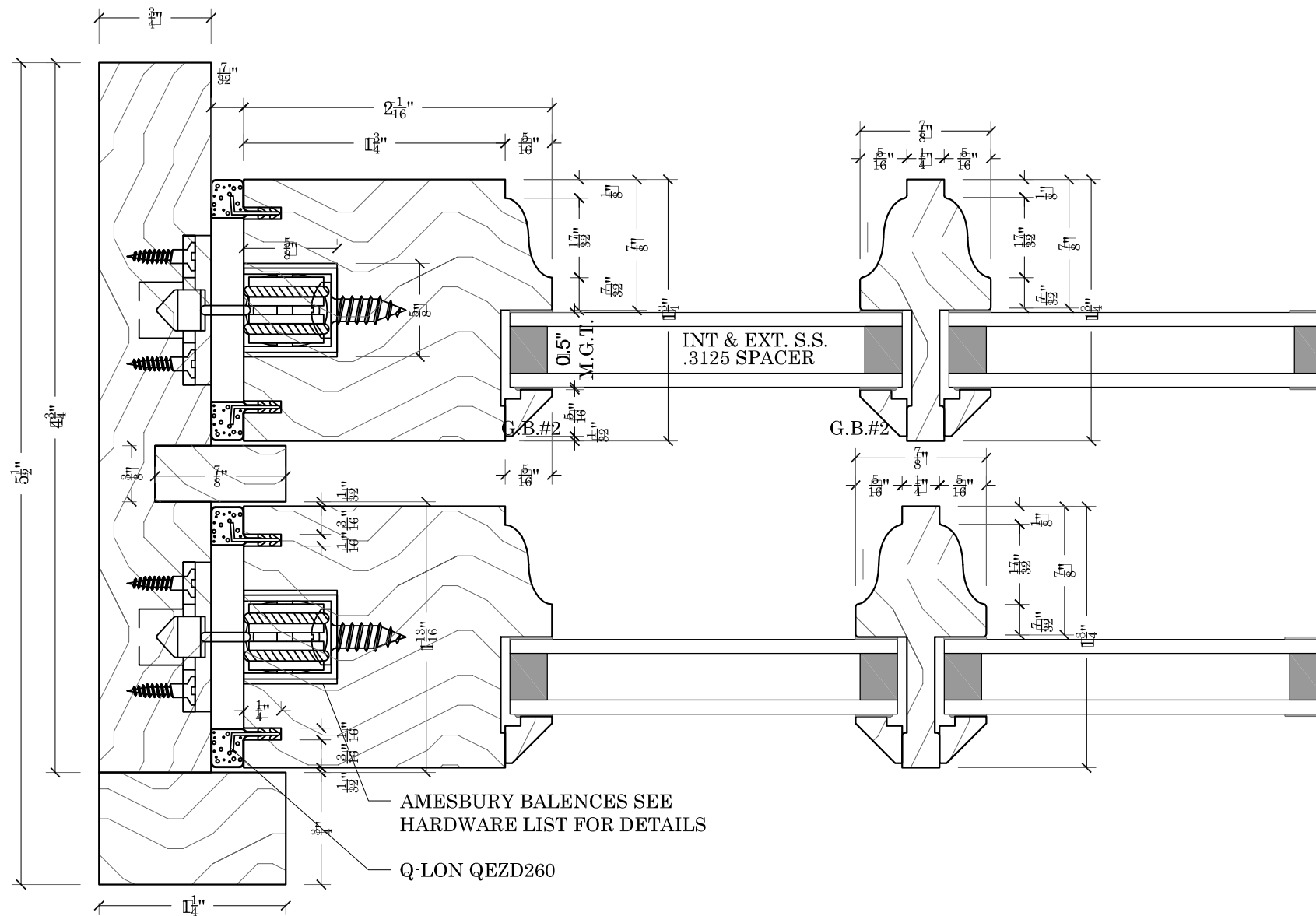
## OPTIONAL ITEMS

- 2" PINE OR UTILE MAHOGANY INT.EXTENSION JAMBS
- TEMPERED DOUBLE STRENGTH GLASS UNITS
- ARGON INSULATION GAP
- EXTERIOR LOW E I89
- D.P. RATING GLAZING
- HISTORIC 1-3/4" THICK WESTERN RED CEDAR SILLS
- 5/4"X4" OR 4/4"X5' NOMINAL WESTERN RED CEDAR CASING
- WHITE ROLLED FORM ALUMINUM FULL SCREEN FRAMES
- CHARCOAL FIBERGLASS SCREEN



## BEACON HILL D.H. B.B.U.

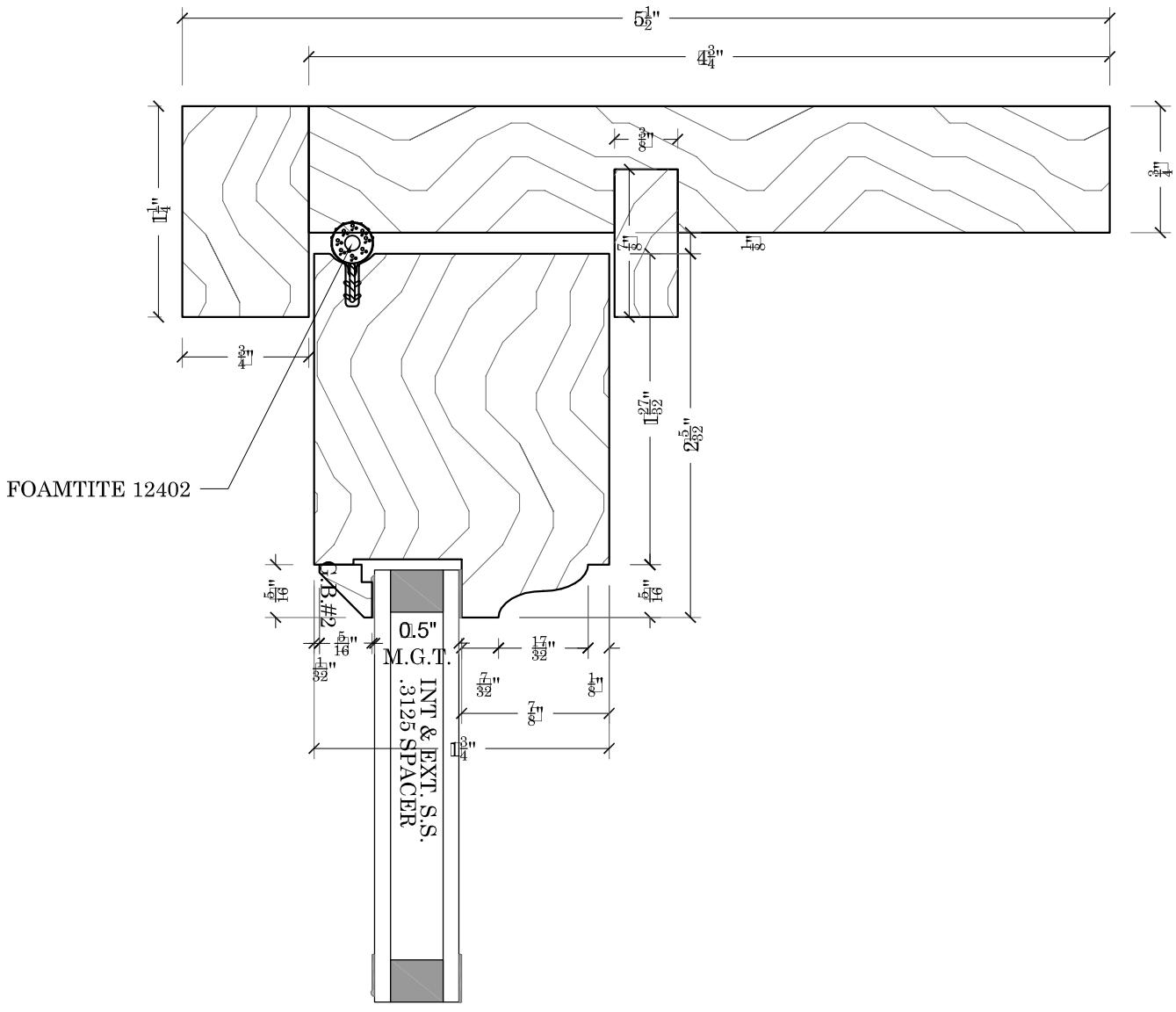




**SASH & MILLWORK**  
 667 SPRING STREET  
 NORTH DIGHTON, MA. 02764  
 PHONE # (508) 880-8808  
 FAX # (508) 880-8828  
 WWW.BOSTONSASH.COM

JOB:	B.S. & M. STANDARDS	DESCRIPTION:	CONCEALED BALANCE OPTION 5
	PLAN DETAIL		
			BEACON HILL PROFILE

P.O.#	B.S.S.
DEALER	N/A
CONTRACTOR	N/A
ARCHITECT	N/A
PROJECT MANAGER	N/A
DRAWN BY:	KEITH KUTHAN
DATE:	11/11/2015
SCALE:	F.S.
DWG. NO:	
<b>SK2B5.1</b>	
SHEET:	
2 OF 6	



FOAMTITE 12402

0.5"  
M.G.T.  
INT & EXT. S.S.  
.3125 SPACER

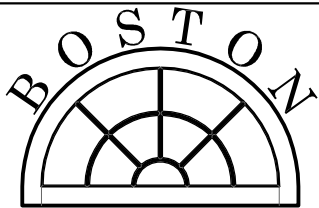
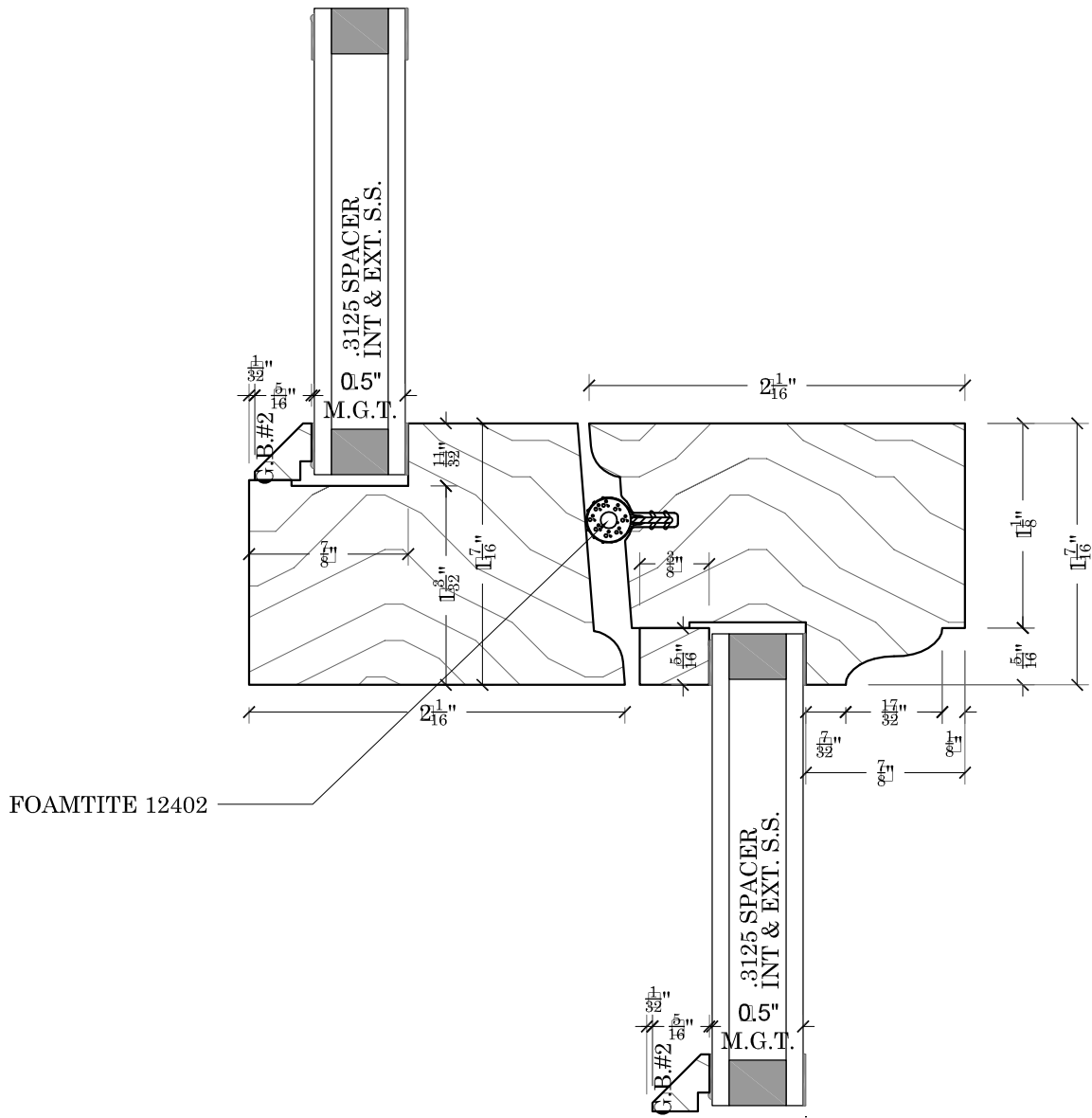
**BOSTON**

**SASH & MILLWORK**  
667 SPRING STREET  
NORTH DIGHTON, MA. 02764  
PHONE # (508) 880-8808  
FAX # (508) 880-8828  
WWW.BOSTONSASH.COM

JOB:  
**B.S. & M. STANDARDS**  
**CONCEALED BALANCE OPTION 5**

DESCRIPTION:  
**HEAD DETAIL**  
**BEACON HILL PROFILE**

DRAWN BY: <b>KEITH KUTHAN</b>	
JOB NO: <b>B.S.S.</b>	DWG. NO: <b>SK2B5.2</b>
DATE: <b>1/11/2015</b>	
SCALE: <b>F.S.</b>	SHEET: <b>3 OF 6</b>



SASH & MILLWORK  
667 SPRING STREET  
NORTH DIGHTON, MA. 02764  
PHONE # (508) 880-8808  
FAX # (508) 880-8828  
WWW.BOSTONSASH.COM

JOB:

B.S. & M. STANDARDS  
CONCEALED BALANCE OPTION 5

DESCRIPTION:

CHECK RAIL DETAIL  
BEACON HILL PROFILE

DRAWN BY:

KEITH KUTHAN

JOB NO:

B.S.S.

DWG. NO:

SK2B5.3

DATE:

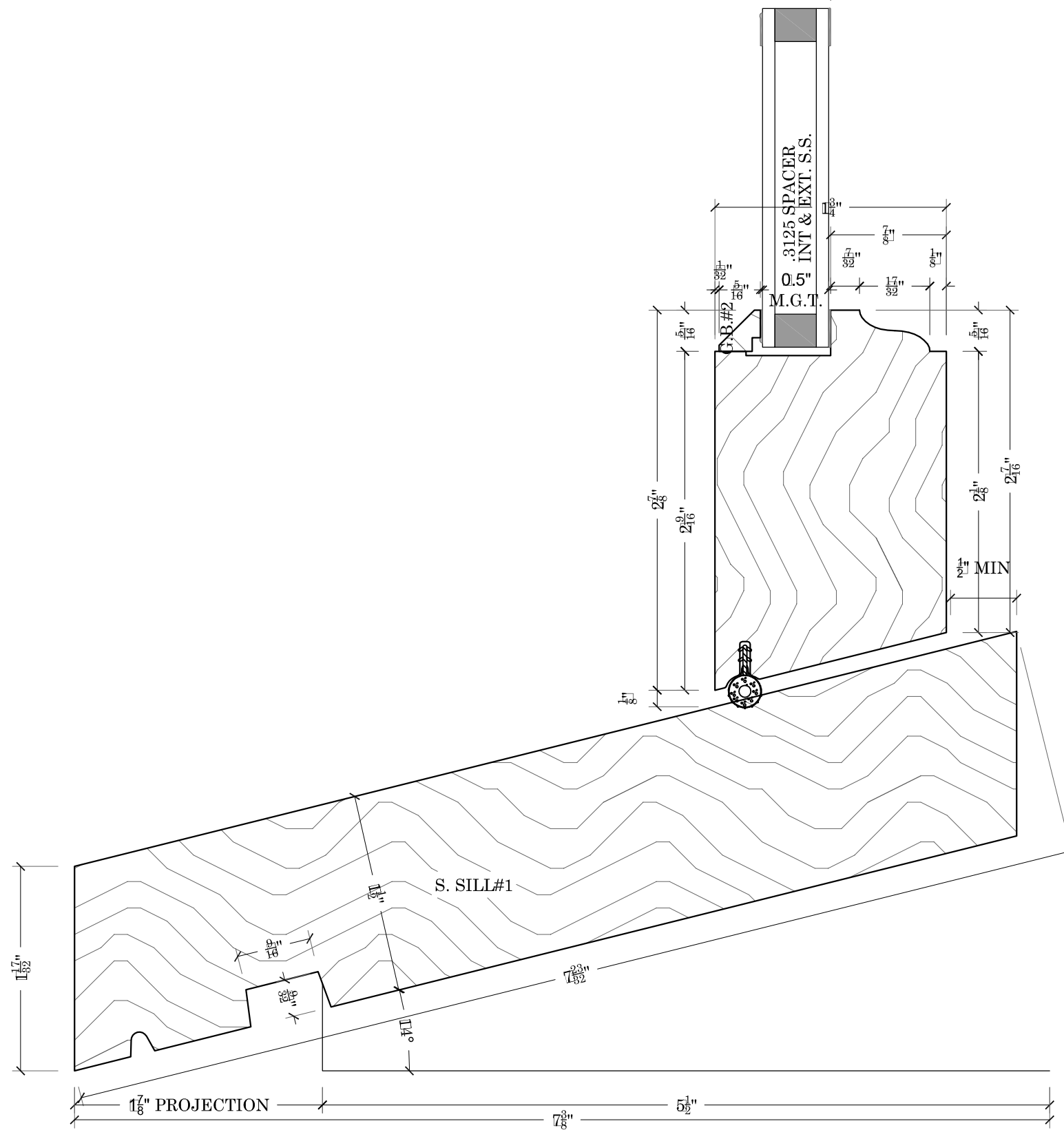
1/11/2015

SCALE:

F.S.

SHEET:

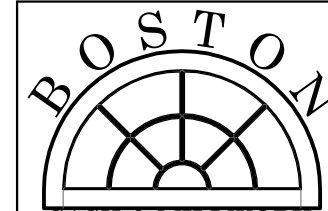
4 OF 6



**B O S T O N**  
  
**SASH & MILLWORK**  
 667 SPRING STREET  
 NORTH DIGHTON, MA. 02764  
 PHONE # (508) 880-8808  
 FAX # (508) 880-8828  
 WWW.BOSTONSASH.COM

JOB: **B.S. & M. STANDARDS**  
**CONCEALED BALANCE OPTION 5**  
 DESCRIPTION: **STANDARD 1-1/2" SILL DETAIL**  
**BEACON HILL PROFILE**

P.O.# **B.S.S.**  
 DEALER **N/A**  
 CONTRACTOR **N/A**  
 ARCHITECT **N/A**  
 PROJECT MANAGER **N/A**  
 DRAWN BY: **KEITH KUTHAN**  
 DATE: **11/11/2015**  
 SCALE: **F.S.**  
 DWG. NO: **SK2B5.4**  
 SHEET: **5 OF 6**



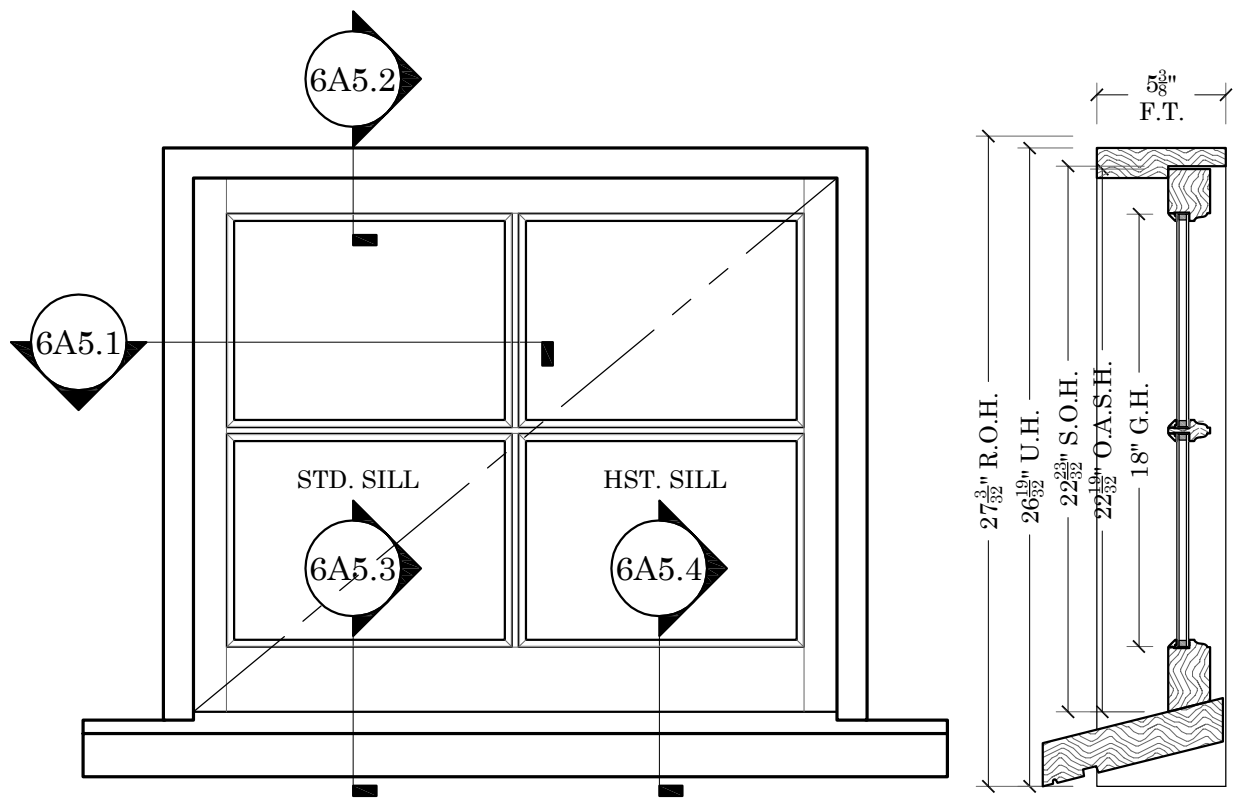
**SASH & MILLWORK**  
 667 SPRING STREET  
 NORTH DIGHTON, MA 02764  
 PHONE # (508) 880-8808  
 FAX # (508) 880-8828  
 WWW.BOSTONSASH.COM

- ### STANDARD
- 5-3/8" UNIT DEPTH
  - ANNEALED SINGLE STRENGTH GLASS, INSULATED GLASS UNIT
  - UTILE MAHOGANY FRAME & SASH
  - STANDARD 1-1/2" THICK WESTERN RED CEDAR SILLS
  - PRIMED EXTERIOR/ RAW INTERIOR
  - FULLY WEATHER SEALED
  - 7/8" T.D.L. & S.D.L. BAR & MUNTIN GRILL CONFIGURATIONS

- ### SIZING
- U.W. = G.W.+5-1/2"
  - S.O.W.=G.W.+4"
  - O.A.S.W.= G.W.+3-3/4"
  - D.L.O.W.=G.W.-9/16"
  - U.H. = G.H.+8-19/32"
  - S.O.H.= G.H.+4-23/32"
  - O.A.S.H.=G.H.+4-19/32"
  - D.L.O.H.=G.H.-9/16"

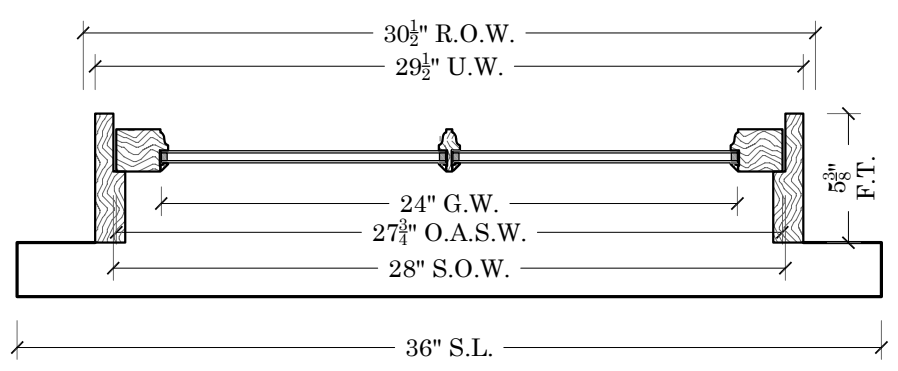
- ### STD. HARDWARE
- NONE

- ### OPTIONAL ITEMS
- ANEAELED OR TEMPERED DOUBLE STRENGTH GLASS UNITS
  - ARGON INSULATION GAP
  - EXTERIOR LOW E I 89 ON EXTERIOR PANE SURFACE 2
  - 2" PINE OR UTILE MAHOGANY INT.EXTENSION JAMBS
  - DOUBLE STRENGTH ANNEALED & OR TEMPERED GLASS
  - D.P. RATING GLAZING
  - HISTORIC 1-3/4" THICK WESTERN RED CEDAR SILLS
  - 5/4"X4" OR 4/4"X5" NOMINAL WESTERN RED CEDAR CASING
  - INTERIOR STOPS



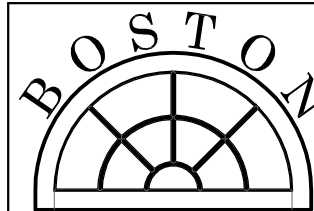
## BEACON HILL PICTURE

SCALE: 1-1/2"=1'

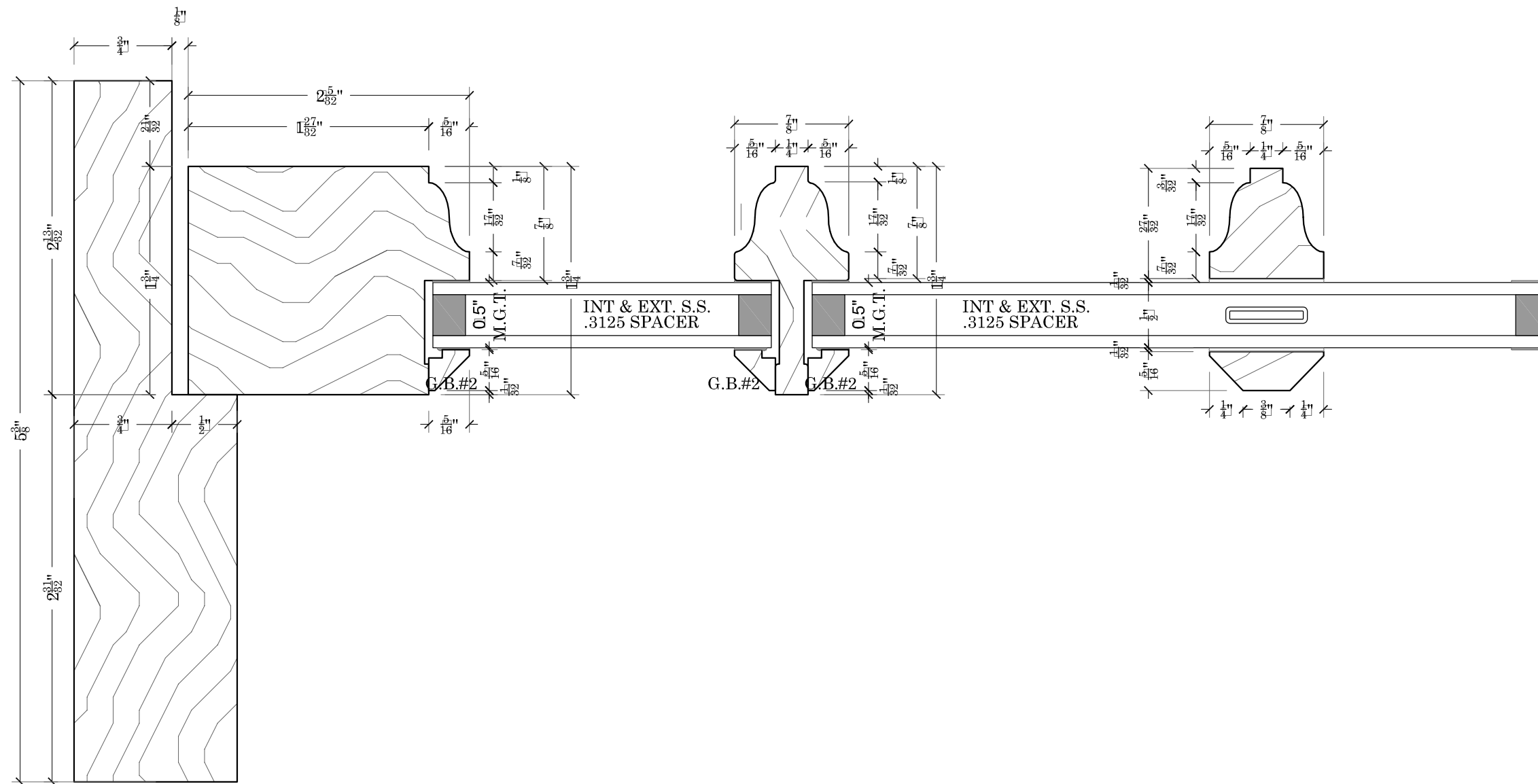


JOB:	B.S. STANDARDS
	PICTURE WINDOW OPTION 5
DESCRIPTION:	ELEVATION, SECTIONS & NOTES BEACON HILL PROFILE

P.O.#	N/A
DEALER	N/A
CONTRACTOR	N/A
ARCHITECT	N/A
PROJECT MANAGER	N/A
DRAWN BY:	KEITH KUTHAN
DATE:	11/11/2015
SCALE:	NOTED
DWG. NO:	SK6A5.0
SHEET:	1 OF 5



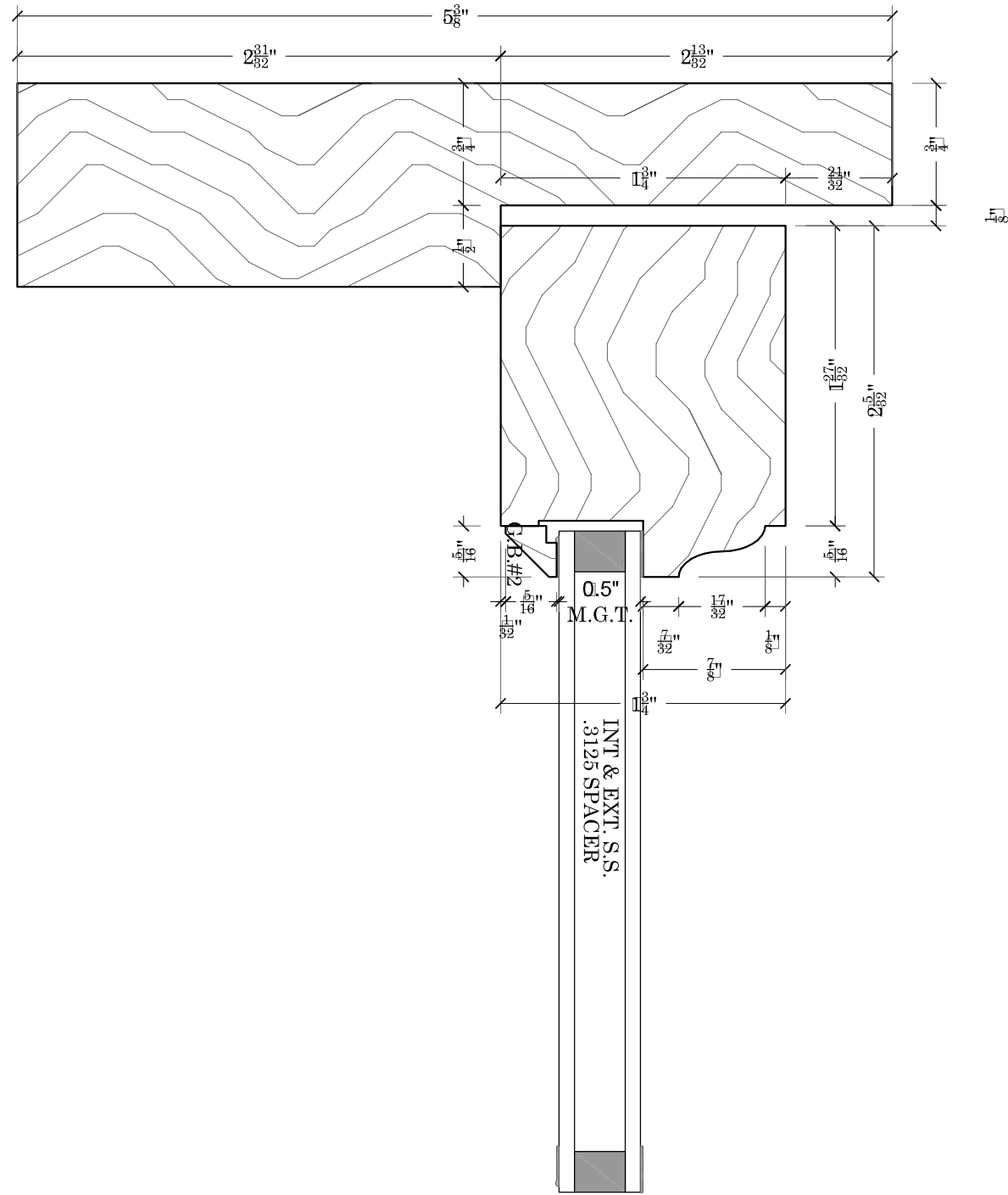
**SASH & MILLWORK**  
 667 SPRING STREET  
 NORTH DIGHTON, MA. 02764  
 PHONE # (508) 880-8808  
 FAX # (508) 880-8828  
 WWW.BOSTONSASH.COM



<b>B.S. &amp; M. STANDARDS</b> <b>PICTURE WINDOW OPTION 5</b>	<b>PLAN DETAIL</b>
	<b>BEACON HILL PROFILE</b>

JOB:	P.O.# <b>N/A</b>
DESCRIPTION:	DEALER <b>N/A</b>
	CONTRACTOR <b>N/A</b>
	ARCHITECT <b>N/A</b>
	PROJECT MANAGER <b>N/A</b>
	DRAWN BY: <b>KEITH KUTHAN</b>
	DATE: <b>11/11/2015</b>
	SCALE: <b>F.S.</b>
	DWG. NO: <b>SK6A5.1</b>
	SHEET: <b>2 OF 5</b>





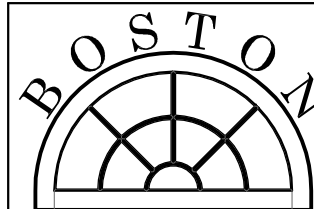
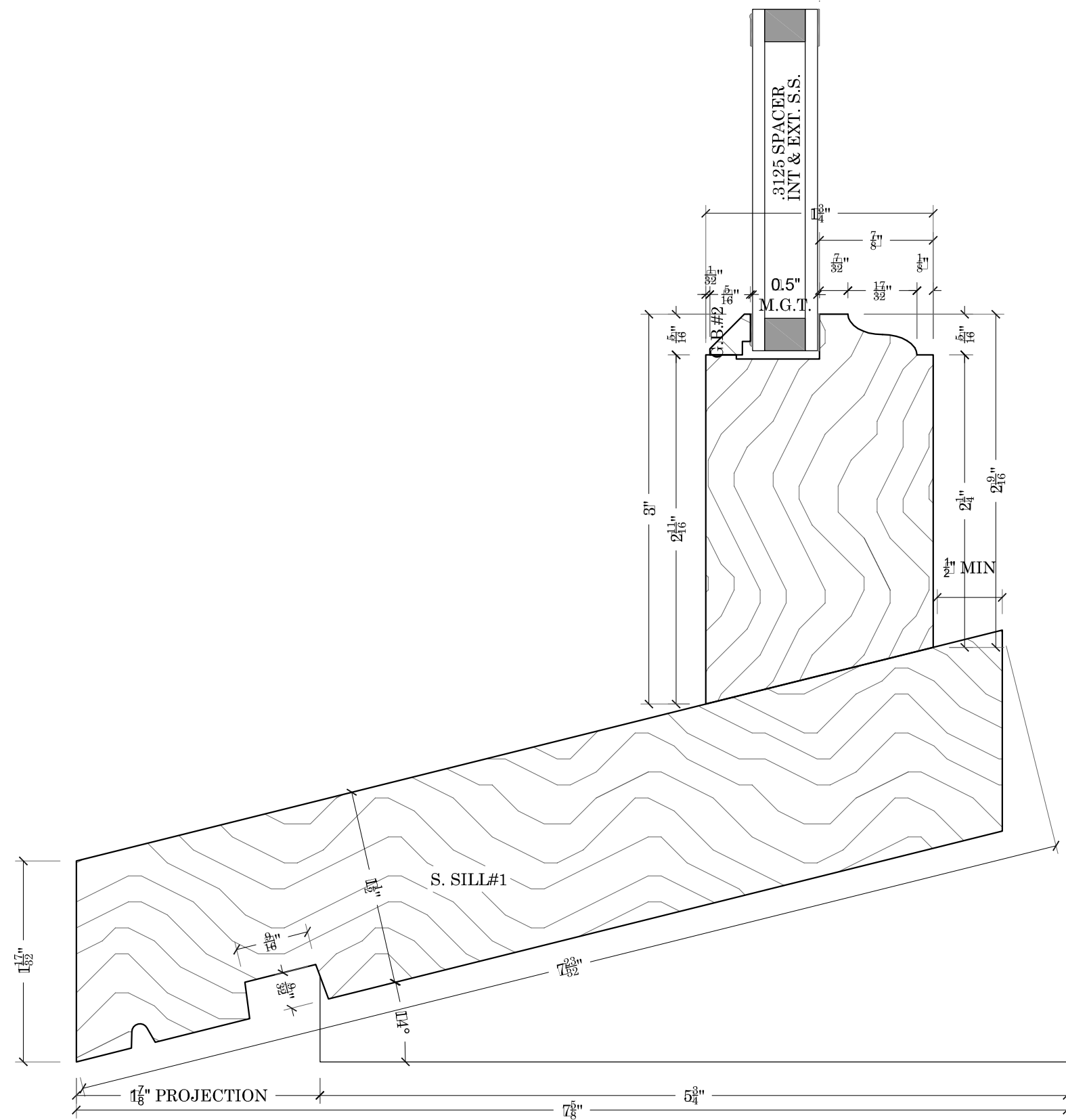
  
**SASH & MILLWORK**  
 667 SPRING STREET  
 NORTH DIGHTON, MA. 02764  
 PHONE # (508) 880-8808  
 FAX # (508) 880-8828  
 WWW.BOSTONSASH.COM

<b>B.S. &amp; M. STANDARDS</b>  <b>PICTURE WINDOW OPTION 5</b>	<b>HEAD DETAIL</b>  <b>BEACON HILL PROFILE</b>
JOB:	DESCRIPTION:

P.O.#	N/A
DEALER	N/A
CONTRACTOR	N/A
ARCHITECT	N/A
PROJECT MANAGER	N/A
DRAWN BY:	<b>KEITH KUTHAN</b>
DATE:	11/11/2015
SCALE:	<b>F.S.</b>
DWG. NO:	<b>SK6A5.2</b>
SHEET:	<u>3</u> OF <u>5</u>

PLOT DATE:  
11/11/2015

FILE LOCATION:



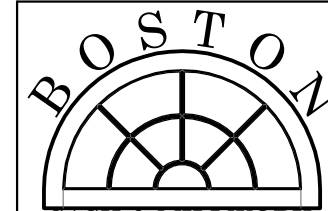
**SASH & MILLWORK**  
 667 SPRING STREET  
 NORTH DIGHTON, MA. 02764  
 PHONE # (508) 880-8808  
 FAX # (508) 880-8828  
 WWW.BOSTONSASH.COM

JOB:	B.S. & M. STANDARDS
	PICTURE WINDOW OPTION 5
DESCRIPTION:	STANDARD 1-1/2" SILL DETAIL
	BEACON HILL PROFILE

P.O.#	N/A
DEALER	N/A
CONTRACTOR	N/A
ARCHITECT	N/A
PROJECT MANAGER	N/A
DRAWN BY:	KEITH KUTHAN
DATE:	11/11/2015
SCALE:	F.S.
DWG. NO:	SK6A5.3
SHEET:	4 OF 5

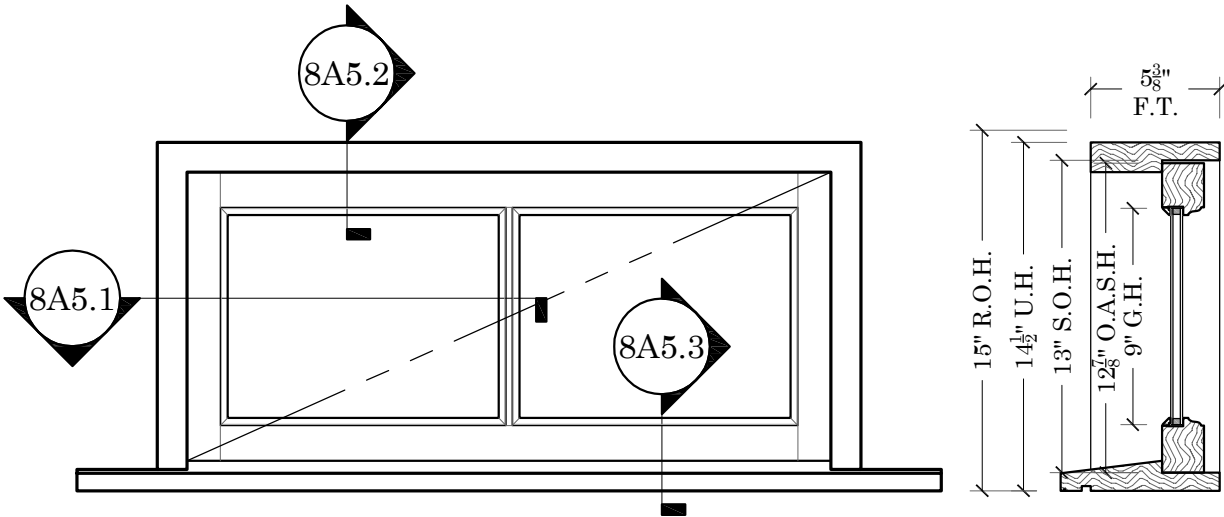
PLOT DATE:  
11/11/2015

FILE LOCATION:



**SASH & MILLWORK**  
 667 SPRING STREET  
 NORTH DIGHTON, MA 02764  
 PHONE # (508) 880-8808  
 FAX # (508) 880-8828  
 WWW.BOSTONSASH.COM

- ### STANDARD
- 5-3/8" UNIT DEPTH
  - ANNEALED SINGLE STRENGTH GLASS, INSULATED GLASS UNIT
  - UTILE MAHOGANY FRAME & SASH
  - STANDARD 1-1/4" THICK WESTERN RED CEDAR SILLS
  - PRIMED EXTERIOR/ RAW INTERIOR
  - FULLY WEATHER SEALED
  - 7/8" T.D.L. & S.D.L. BAR & MUNTIN GRILL CONFIGURATIONS



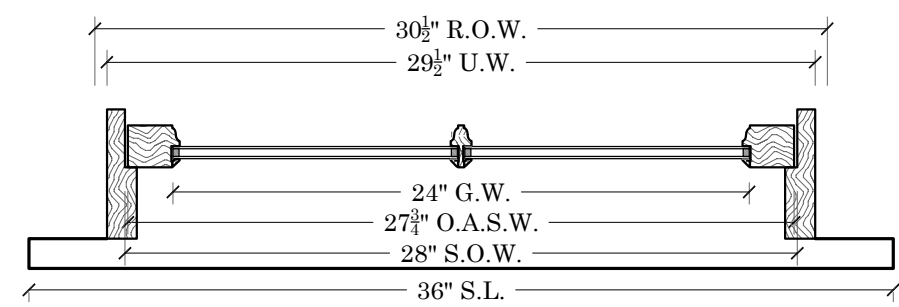
- ### SIZING
- U.W. = G.W.+5-1/2"
  - S.O.W.=G.W.+4"
  - O.A.S.W.= G.W.+3-3/4"
  - D.L.O.W.=G.W.-9/16"
  - U.H. = G.H.+5-1/2"
  - S.O.H.= G.H.+4"
  - O.A.S.H.=G.H.+3-7/8"
  - D.L.O.H.=G.H.-9/16"

### STD. HARDWARE

-NONE

## BEACON HILL TRANSOM

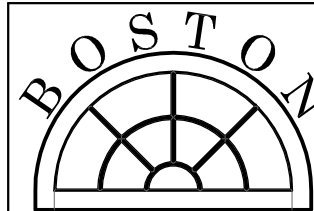
SCALE: 1-1/2"=1'



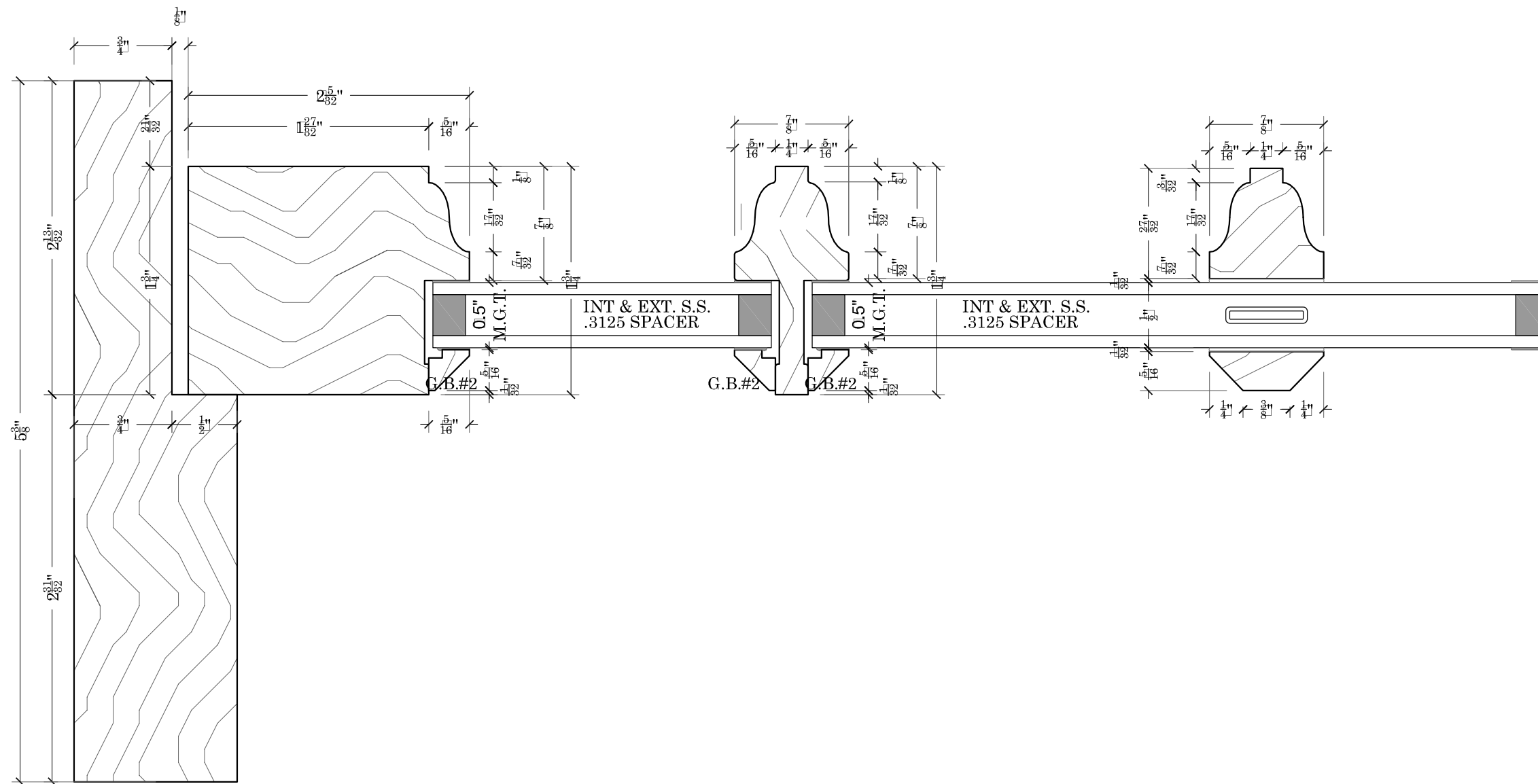
- ### OPTIONAL ITEMS
- ANEALED OR TEMPERED DOUBLE STRENGTH GLASS UNITS
  - ARGON INSULATION GAP
  - EXTERIOR LOW E I 89 ON EXTERIOR PANE SURFACE 2
  - 2" PINE OR UTILE MAHOGANY INT.EXTENSION JAMBS
  - DOUBLE STRENGTH ANNEALED & OR TEMPERED GLASS
  - D.P. RATING GLAZING
  - 5/4"X4" OR 4/4"X5' NOMINAL WESTERN RED CEDAR CASING
  - INTERIOR STOPS

**B.S. STANDARDS**  
**TRANSOM OPTION 5**  
 ELEVATION, SECTIONS & NOTES  
 BEACON HILL PROFILE

JOB: P.O.#  
 N/A  
 DEALER  
 N/A  
 CONTRACTOR  
 N/A  
 ARCHITECT  
 N/A  
 PROJECT MANAGER  
 N/A  
 DRAWN BY:  
**KEITH KUTHAN**  
 DATE:  
 11/11/2015  
 SCALE:  
 NOTED  
 DWG. NO:  
**SK8A5.0**  
 SHEET:  
 1 OF 4

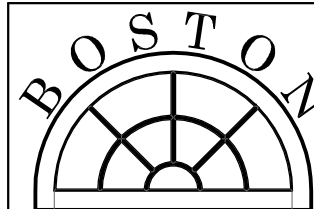


**SASH & MILLWORK**  
 667 SPRING STREET  
 NORTH DIGHTON, MA. 02764  
 PHONE # (508) 880-8808  
 FAX # (508) 880-8828  
 WWW.BOSTONSASH.COM

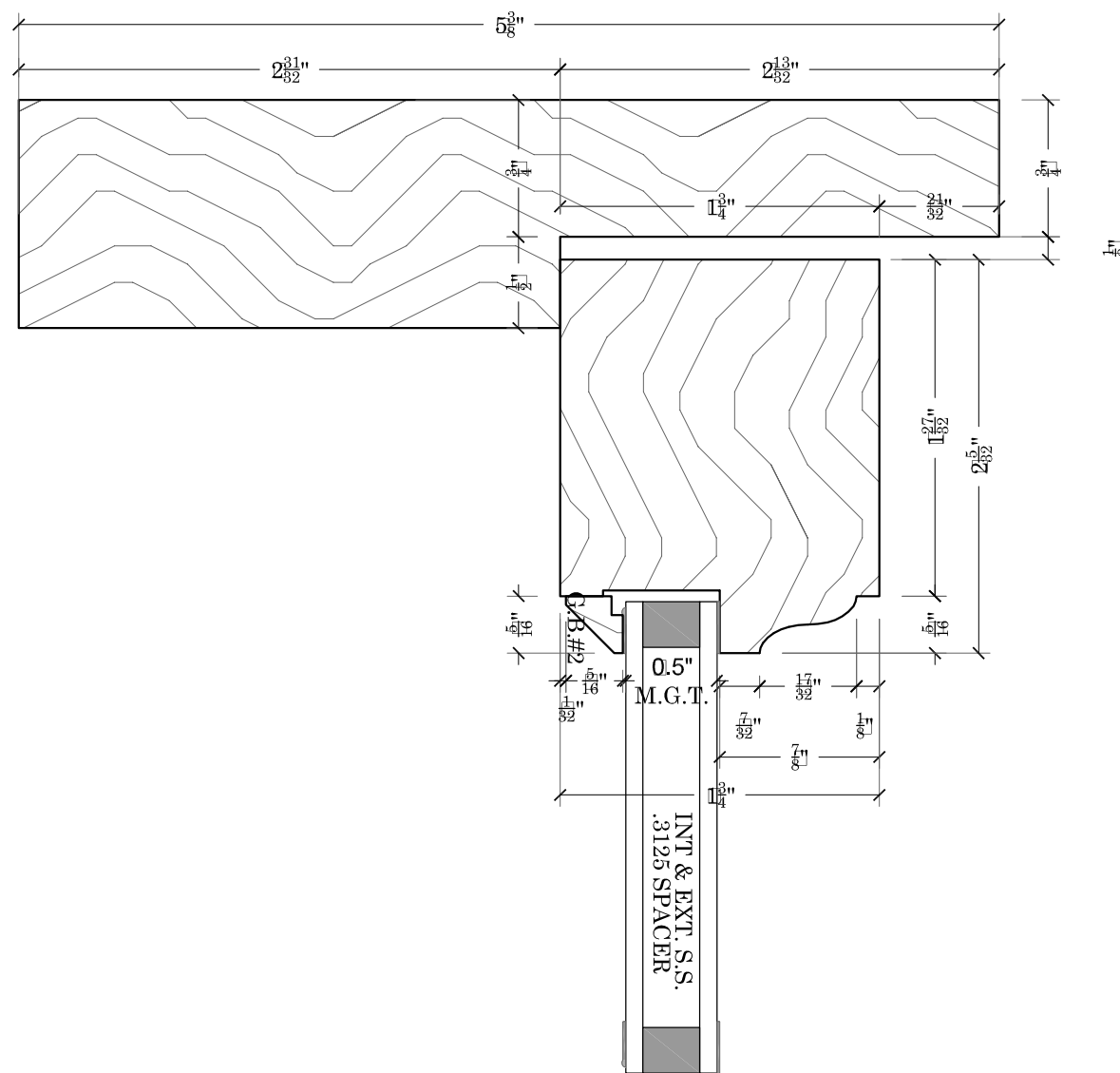


JOB:	B.S. & M. STANDARDS
	TRANSOM OPTION 5
DESCRIPTION:	PLAN DETAIL
	BEACON HILL PROFILE

P.O.#	N/A
DEALER	N/A
CONTRACTOR	N/A
ARCHITECT	N/A
PROJECT MANAGER	N/A
DRAWN BY:	KEITH KUTHAN
DATE:	11/11/2015
SCALE:	F.S.
DWG. NO:	
<b>SK8A5.1</b>	
SHEET:	
1 OF 3	



**SASH & MILLWORK**  
 667 SPRING STREET  
 NORTH DIGHTON, MA. 02764  
 PHONE # (508) 880-8808  
 FAX # (508) 880-8828  
 WWW.BOSTONSASH.COM

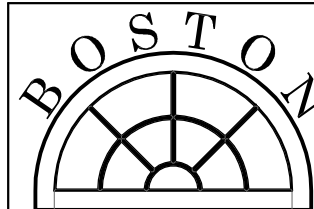


JOB:	B.S. & M. STANDARDS
	TRANSOM OPTION 5
DESCRIPTION:	HEAD DETAIL
	BEACON HILL PROFILE

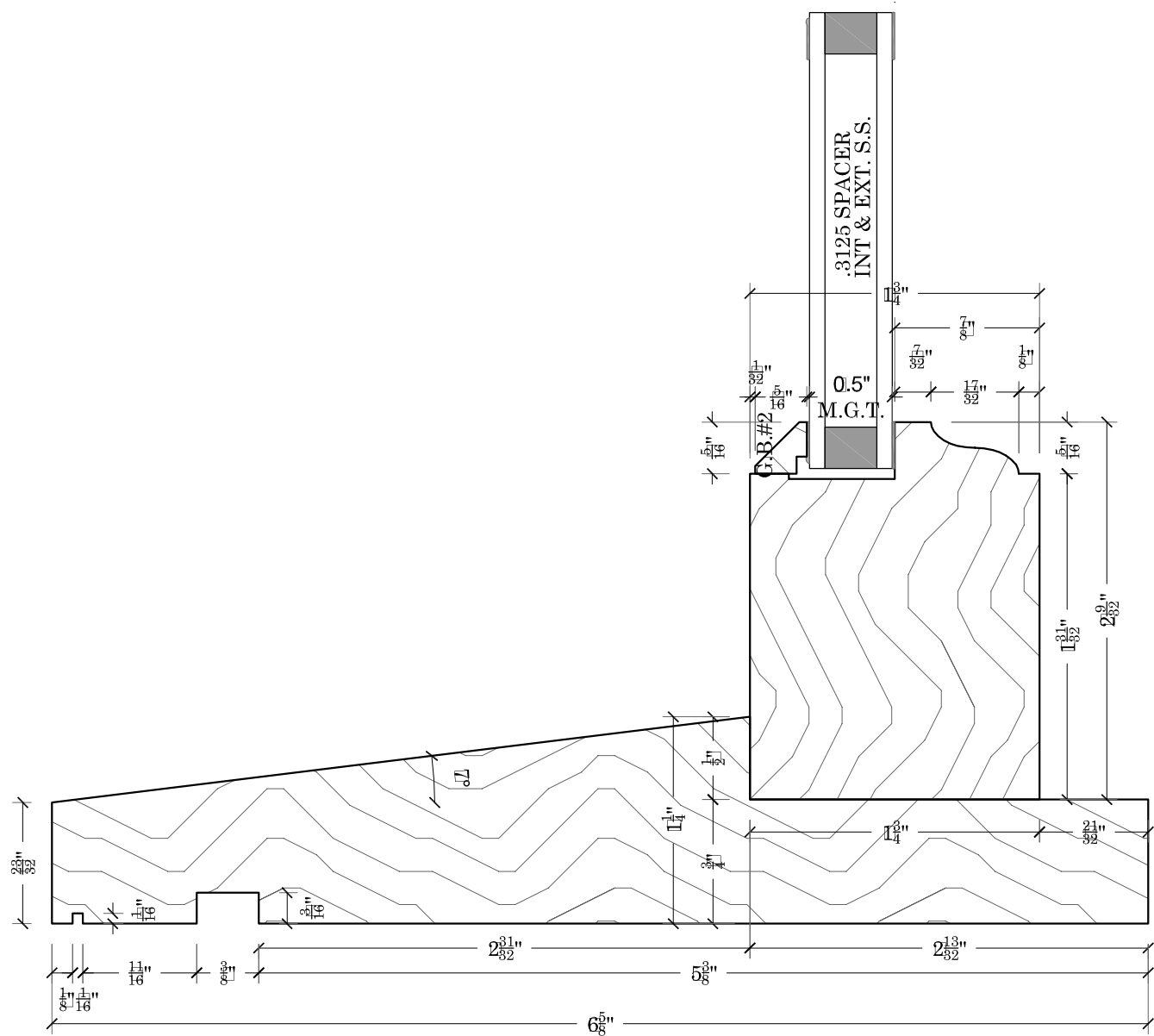
P.O.#	N/A
DEALER	N/A
CONTRACTOR	N/A
ARCHITECT	N/A
PROJECT MANAGER	N/A
DRAWN BY:	KEITH KUTHAN
DATE:	11/11/2015
SCALE:	F.S.
DWG. NO:	
	<b>SK8A5.2</b>
SHEET:	2 OF 3

PLOT DATE:  
11/11/2015

FILE LOCATION:



SASH & MILLWORK  
 667 SPRING STREET  
 NORTH DIGHTON, MA. 02764  
 PHONE # (508) 880-8808  
 FAX # (508) 880-8828  
 WWW.BOSTONSASH.COM



JOB:	B.S. & M. STANDARDS
	TRANSOM OPTION 5
DESCRIPTION:	SILL DETAIL
	BEACON HILL PROFILE

P.O.#	N/A
DEALER	N/A
CONTRACTOR	N/A
ARCHITECT	N/A
PROJECT MANAGER	N/A
DRAWN BY:	KEITH KUTHAN
DATE:	11/11/2015
SCALE:	F.S.
DWG. NO:	
	SK8A5.3
SHEET:	3 OF 3

PLOT DATE:  
 11/11/2015

FILE LOCATION: