



REMOVE EXISTING IRON GRATE OVER DOOR

EXISTING WOOD PANELS IN TRANSOM TO BE REMOVED AND REPLACED WITH NEW GLASS PANES

REMOVE EXISTING IRON GRATE AT DOOR ALCOVE

REPLACE EXISTING FIXED PANEL WINDOW WITH NEW CUSTOM WINDOW TO MATCH THE EXISTING SIZE, CONFIGURATION AND MUNTIN PROFILES. NEW SASH TO BE TRUE DIVIDED LIGHT WITH INSULATED CLEAR GLASS.



RE-POINT EXISTING MASONRY AT FRONT FACADE WITH MORTAR TYPE N. COLOR, TEXTURE AND TOOLING TO MATCH EXISTING.

REPLACE ALL SILLS & LINTELS WITH CAST STONE (NORTHERN DESIGN ARCHITECTURAL PRECAST "BROWNSTONE-2" LIGHT ETCH FINISH)

CLEAN RUST OFF EXISTING STEEL BEAM & REPAINT (SHERWIN WILLIAMS DOVETAIL SW 7018)

REPLACE EXISTING WOOD PANELS IN TRANSOM WITH NEW GLASS PANES. PAINT SASH (BENJAMIN MOORE NAVAJO WHITE OC-95)

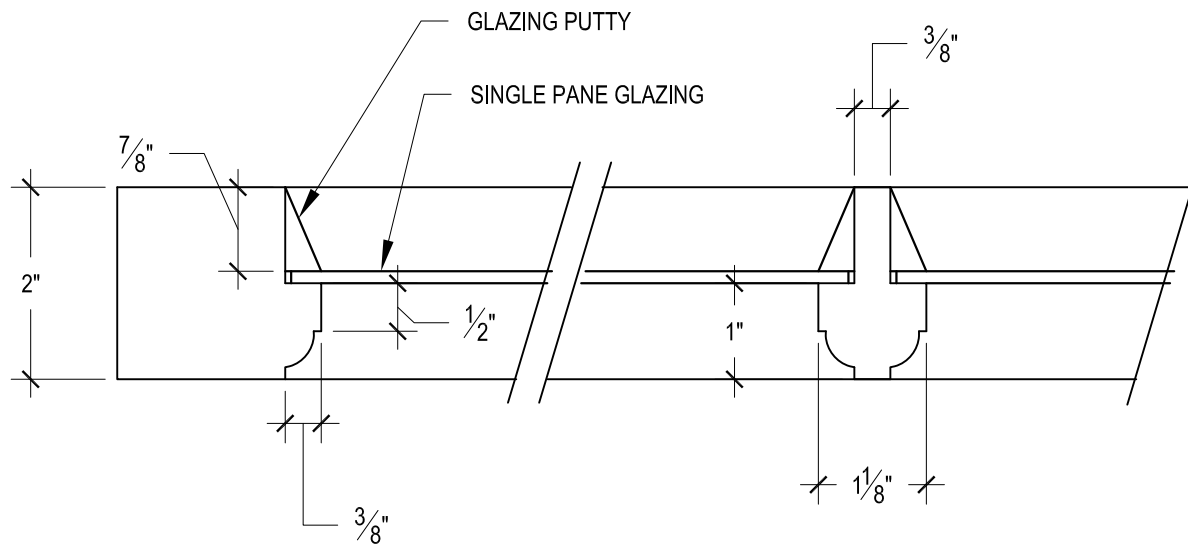
REPAIR EXISTING DOORS INCLUDING WEATHERSTRIPPING. REPAINT (BENJAMIN MOORE BLACK 2132-10)

REPAIR EXISTING RECESSED DOOR INCLUDING WEATHERSTRIPPING. REPAINT (BENJAMIN MOORE BLACK 2132-10)

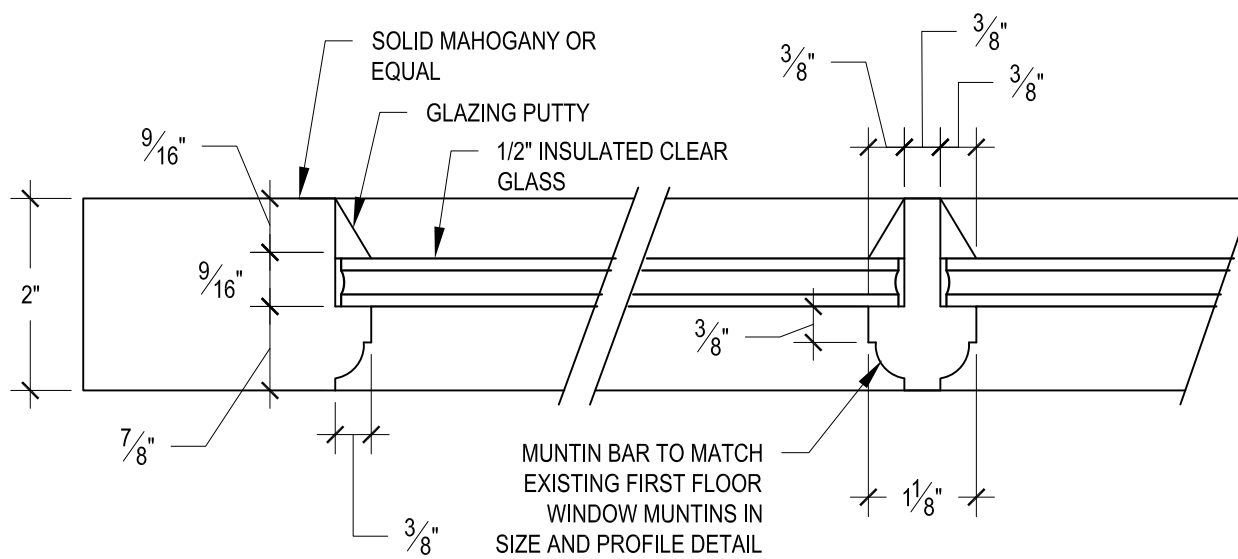
REPAIR OR REPLACE IN KIND ALL EXISTING WOODWORK & EXTERIOR TRIM

REPAINT ALL WOOD TRIM (SHERWIN WILLIAMS DOVETAIL SW 7018)

REPLACE EXISTING FIXED PANEL WINDOW WITH NEW CUSTOM WINDOW TO MATCH THE EXISTING SIZE, CONFIGURATION AND MUNTIN PROFILES. NEW SASH TO BE TRUE DIVIDED LIGHT WITH INSULATED CLEAR GLASS. PAINT NEW SASH (BENJAMIN MOORE NAVAJO WHITE OC-95)



1 PLAN DETAIL OF EXISTING FIRST FLOOR WINDOW SASH (FIXED SASH)  
6" = 1'-0"



2 PLAN DETAIL OF PROPOSED FIRST FLOOR WINDOW SASH (FIXED SASH)  
6" = 1'-0"





① EXISTING FRONT FACADE





② PROPOSED FRONT FACADE

**NORTHERN DESIGN**  
ARCHITECTURAL PRECAST & CAST STONE

SAMPLE NAME: "BROWNSTONE - 2"

SAMPLE FINISH: LIGHT ETCH FINISH

PROJECT: CHESTNUT ST IN BEACON HILL  
BOSTON, MA

EACH PIECE OF OUR CUSTOM STONE IS INDIVIDUALLY  
HANDCRAFTED AND FINISHED TO SATISFY YOUR  
PREFERENCE IN COLOR & TEXTURE. MINOR VARIATIONS  
MAY OCCUR THROUGHOUT THE PRODUCTION PROCESS  
FROM DAY TO DAY, STONE TO STONE.

APPROVAL OF THIS SAMPLE ACKNOWLEDGES THE  
UNDERSTANDING AND ACCEPTANCE OF THESE SLIGHT  
VARIATIONS.

51 INTERNATIONAL DRIVE  
LOUDON, NEW HAMPSHIRE  
603-783-8989 WWW.NDPRECAST.COM





FIRST FLOOR FIXED WINDOW SASH & STEEL BEAM



FIRST FLOOR FIXED WINDOW MUNTINS



WOOD PANELS IN TRANSOM

④ DETAILS OF EXISTING FACADE





LINTEL & STEEL BEAM DETAIL



WOODWORK & EXTERIOR TRIM

⑤ DETAILS OF EXISTING FACADE





IRON GRATE & GATES



ENTRY DOORS

⑥ DETAILS OF EXISTING FACADE