

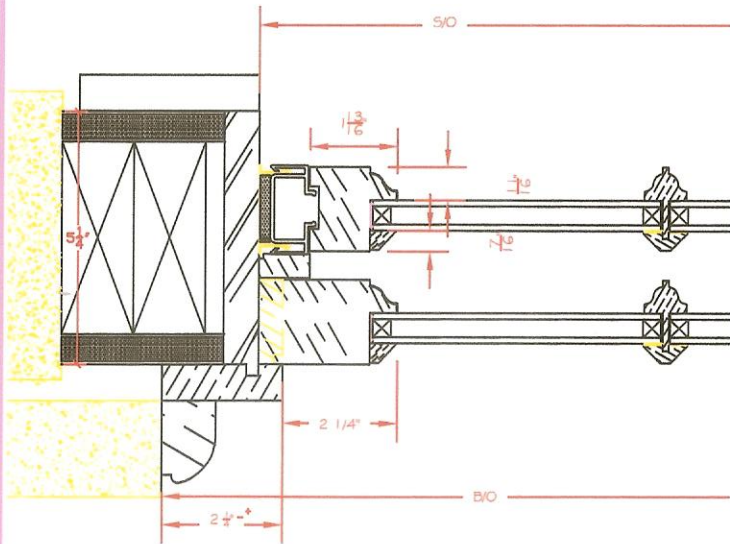
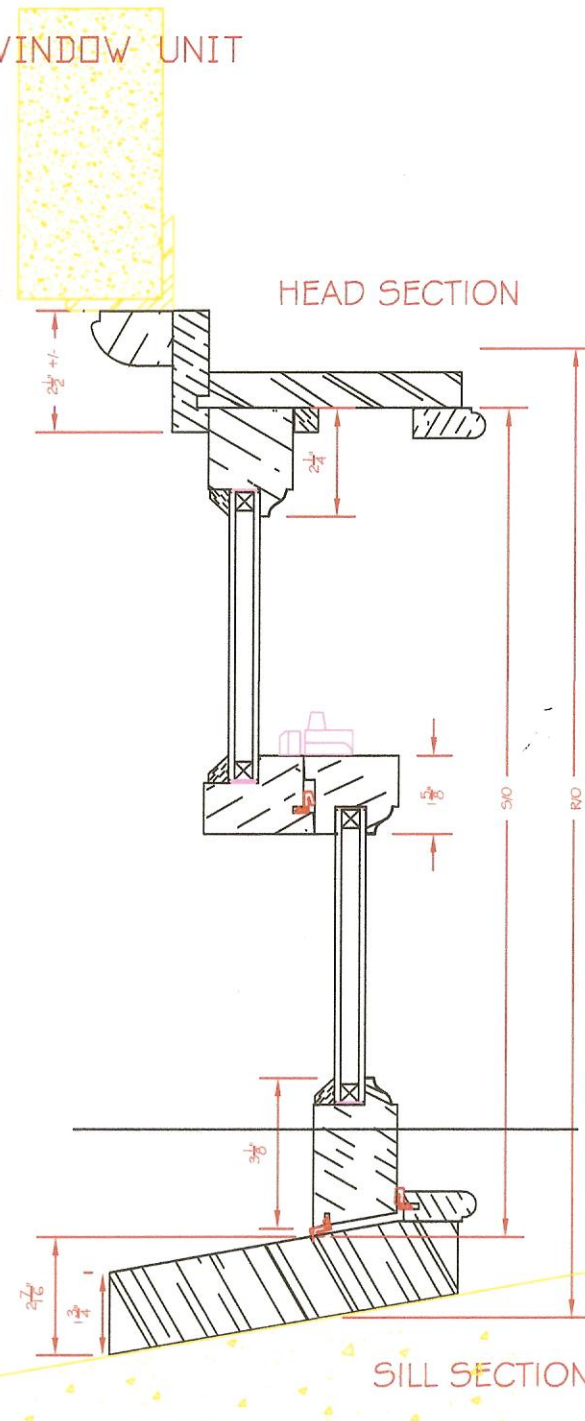
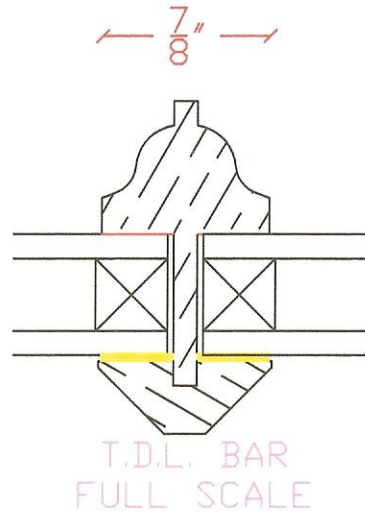
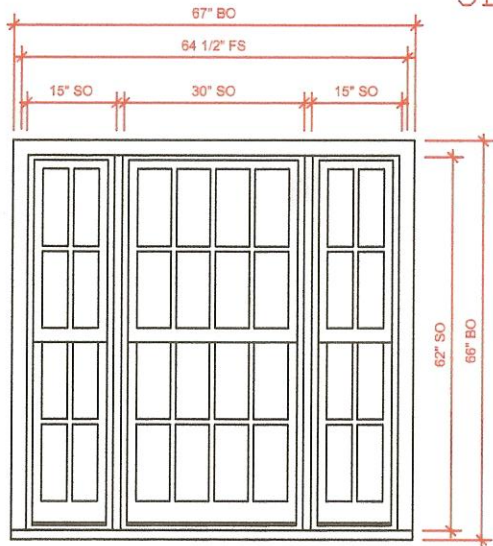
1874  
Boston Hopkins Atlas







JB PROPER BOSTONIAN SH WINDOW UNIT



SHEET 1

CONTINENTAL BLDGS

DEALER: JB SASH & DOOR CO., INC.

DATE: 10/11/18

NUMBER: -