

FORT POINT CHANNEL LANDMARK DISTRICT COMMISSION

ADVISORY REVIEW

INDEX

FPCLDC LOCUS PLAN

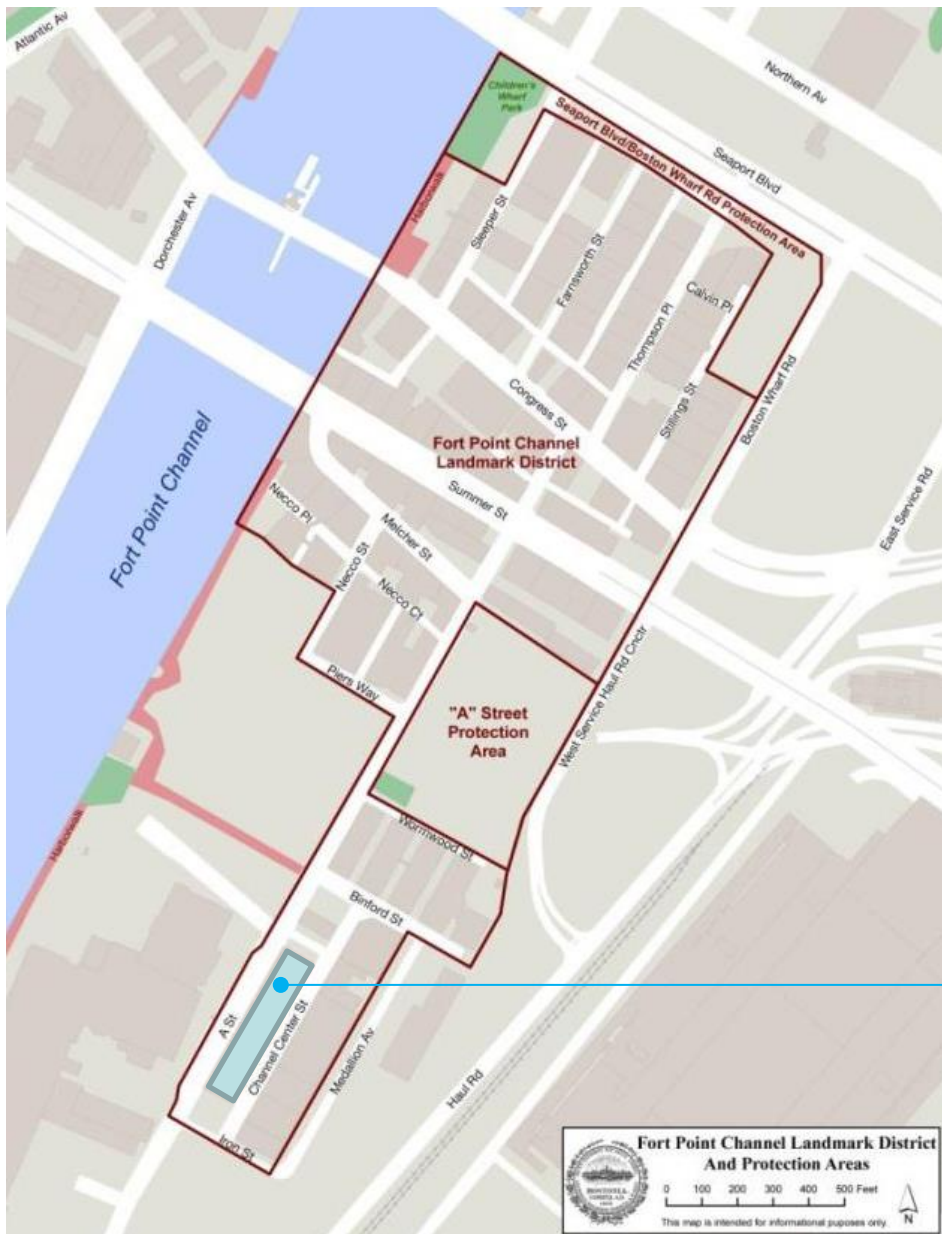
EXISTING CONDITION

BUILDING ELEVATIONS

BRACKET DETAIL

ELEVATIONS OF DESIGN OPTIONS

RENDERINGS OF PROPOSED SIGNAGE LOCATIONS



10-20 CHANNEL CENTER

MAP OF FORT POINT CHANNEL LANDMARKS DISTRICT
WITH BUILDING LOCATION SHOWN



PHOTO OF BUILDING EXISTING CONDITIONS
PRESENT DAY PHOTO FROM NEIGHBORING BUILDING



20 CHANNEL CENTER ENTRY



10 CHANNEL CENTER ENTRY

PHOTO OF ENTRY EXISTING CONDITIONS

PRESENT DAY PHOTO



MIDDLE OF CHANNEL CENTER BLOCK

PHOTO OF EXISTING CONDITIONS

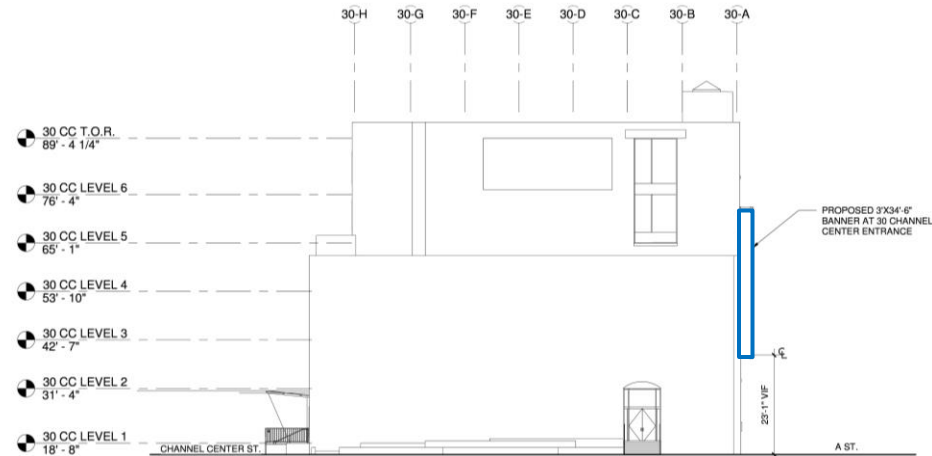
PRESENT DAY PHOTO



3 ELEVATION - A STREET
SCALE: 1/16" = 1'-0"



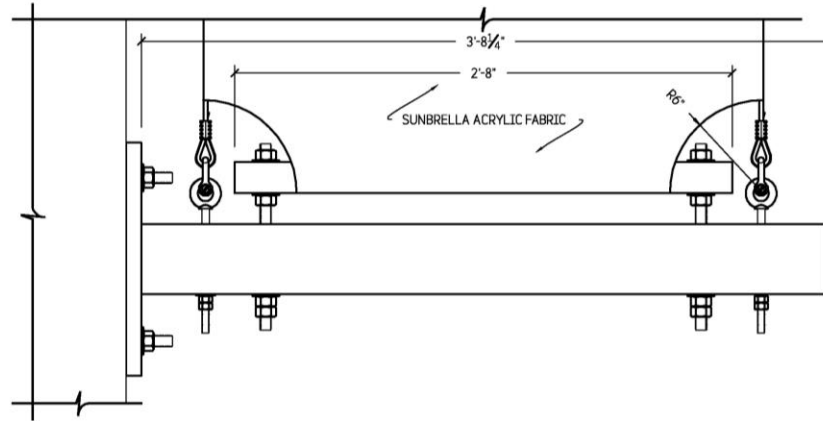
1 ELEVATION - IRON STREET
SCALE: 1/16" = 1'-0"



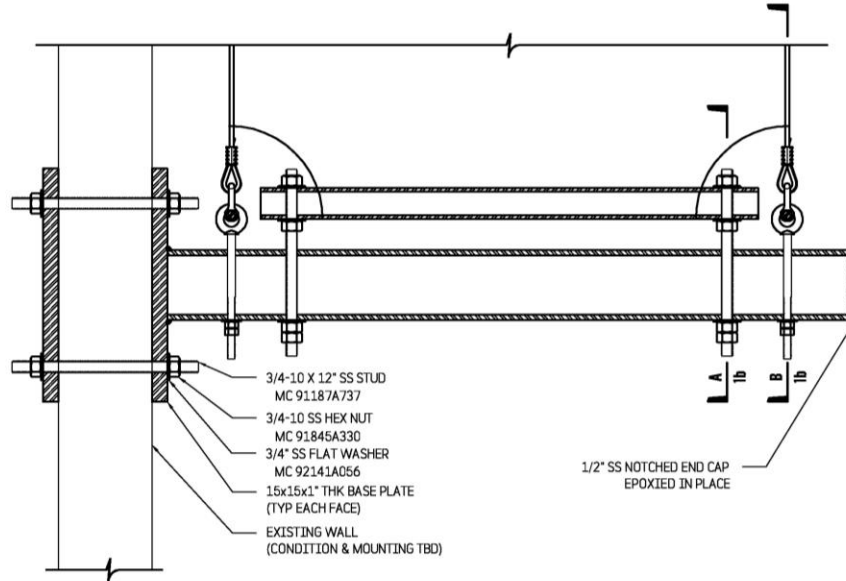
2 ELEVATION - WASHINGTON WAY
SCALE: 1/16" = 1'-0"

PROPOSED SIGNAGE LOCATIONS & MEDALLION RELOCATIONS

BUILDING ELEVATIONS OF BANNER LOCATIONS AND ADDITIONAL SCOPE



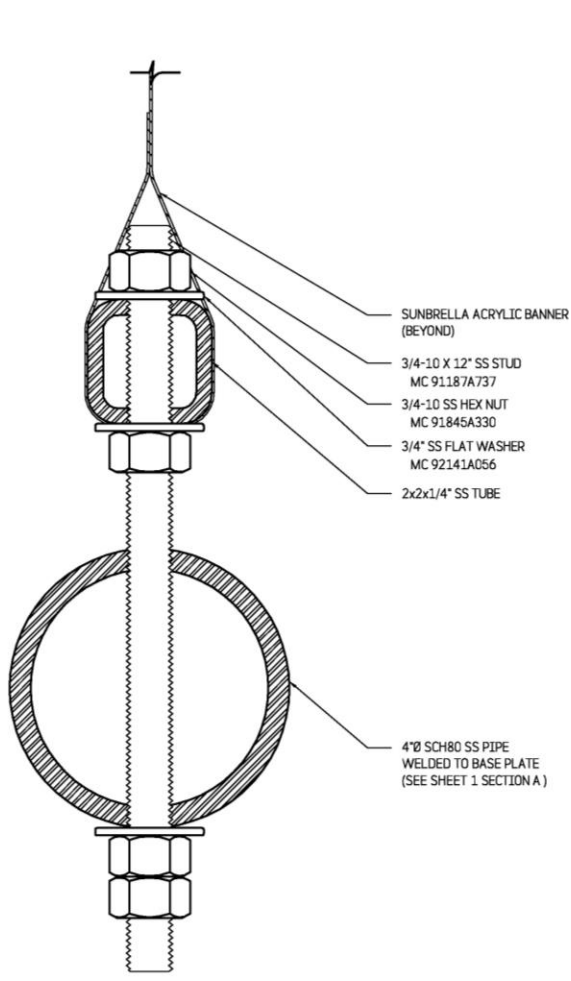
1 BRACKET ELEVATION DETAIL
1 1/2" - 1'-0"



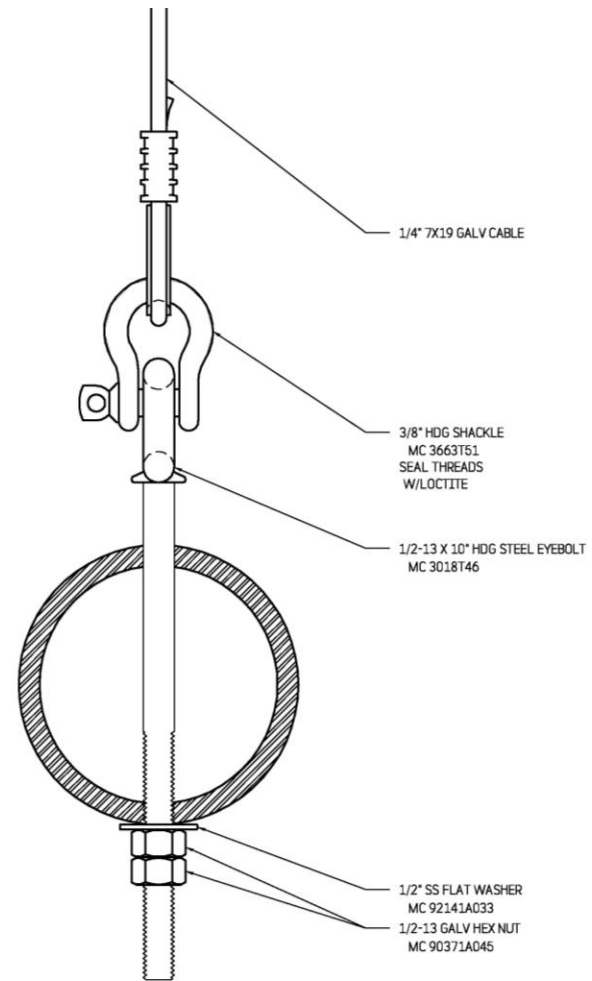
A BRACKET SECTION DETAIL
1 1/2" - 1'-0"

PROPOSED SIGNAGE – BRACKET DETAIL

PRELIMINARY BRACKET DETAILING FOR BUILDING FASTENER

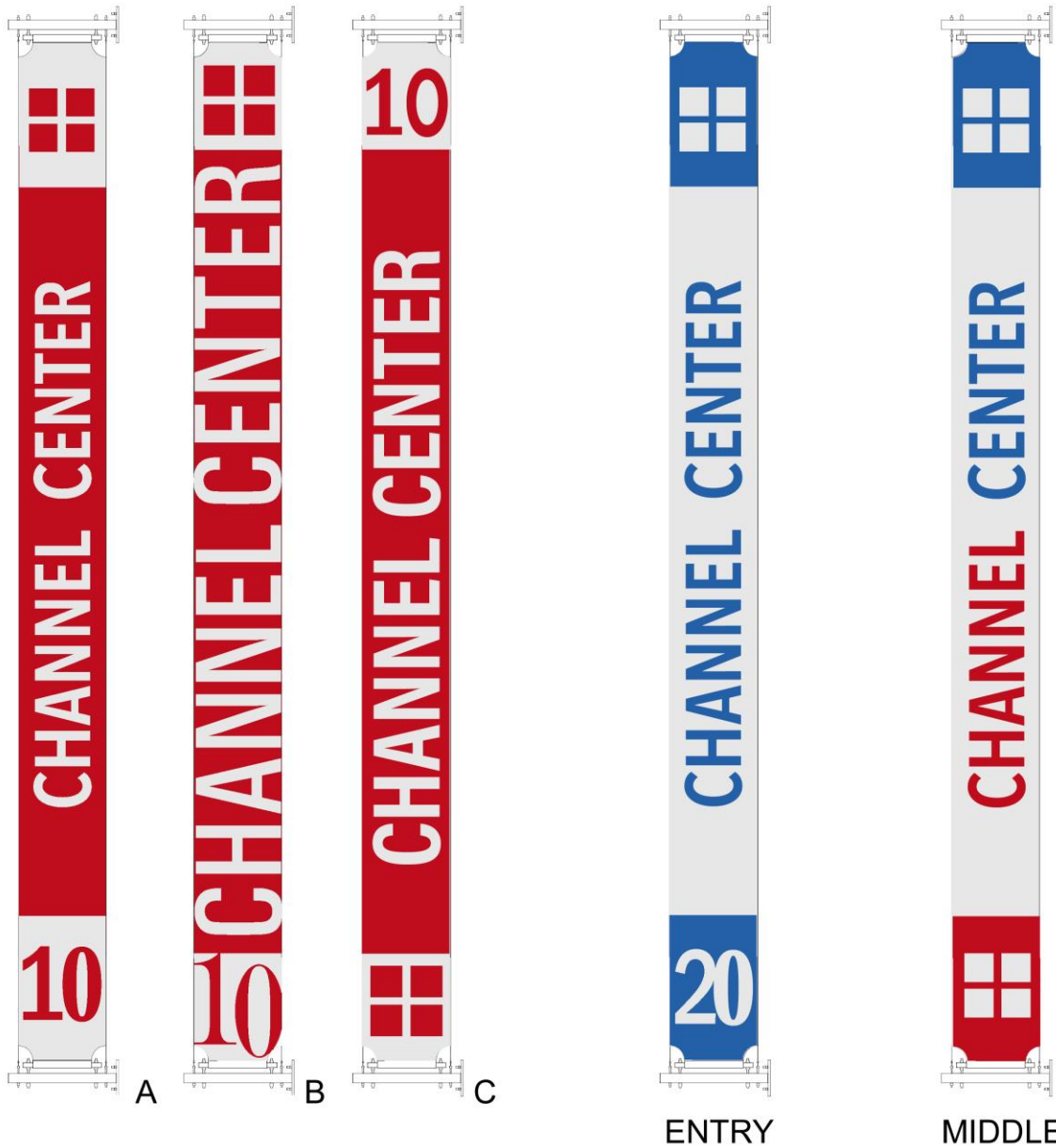


A SECTION THRU HORIZONTAL TENSIONER
Half Size

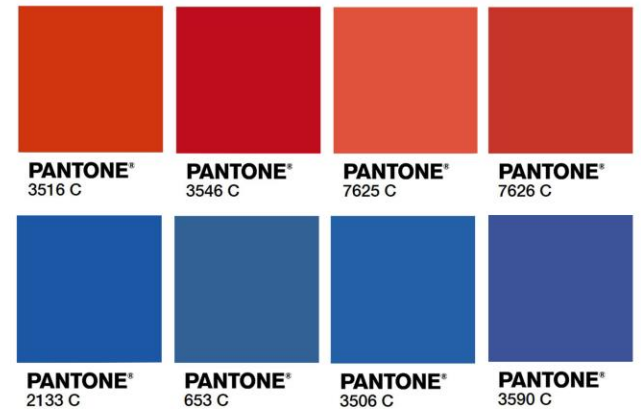


B SECTION THRU VERTICAL TENSIONER
Half Size

PROPOSED SIGNAGE – BRACKET DETAIL
PRELIMINARY BRACKET DETAILING FOR SIGNAGE CABLE



SIGNAGE DESIGN STUDIES
ELEVATIONS OF INITIAL DESIGN OPTIONS



OPTION A FONT:

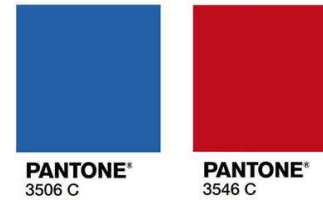
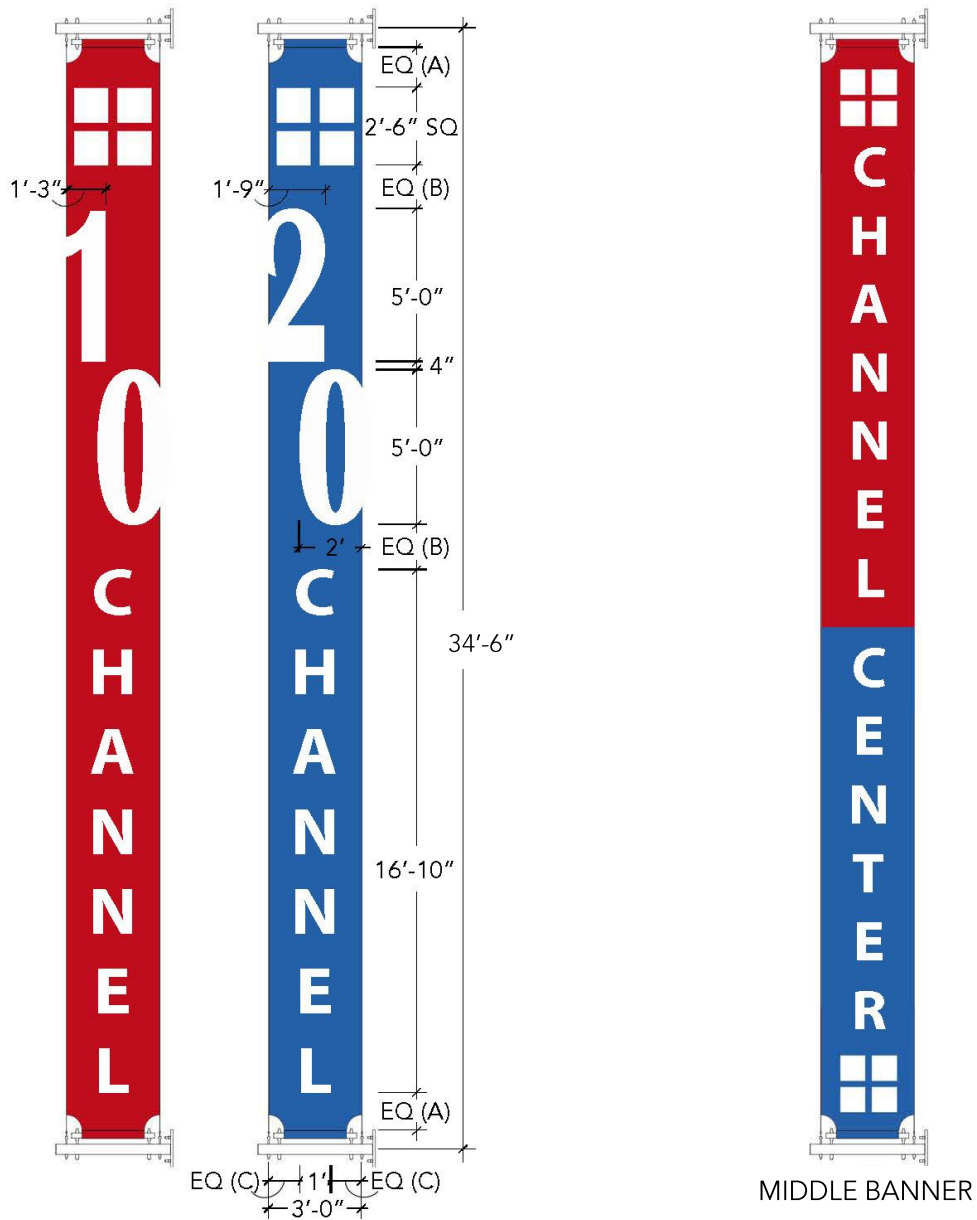
LETTERS: Avenir Next LT Pro, Demi Condensed
NUMBERS: Franklin Gothic Medium Cond & Britannic Bold

OPTION B FONT:

LETTERS: U001Con, Regular
NUMBERS: Engravers MT

OPTION C FONT:

LETTERS: Acumin Variable Concept, Condensed Bold
NUMBERS: Franklin Gothic Medium Cond & Copperplate Gothic Bold



BANNER FONTS:
LETTERS: Myriad Pro, Bold, Crisp
NUMBERS: Britannic Bold, Regular, Strong

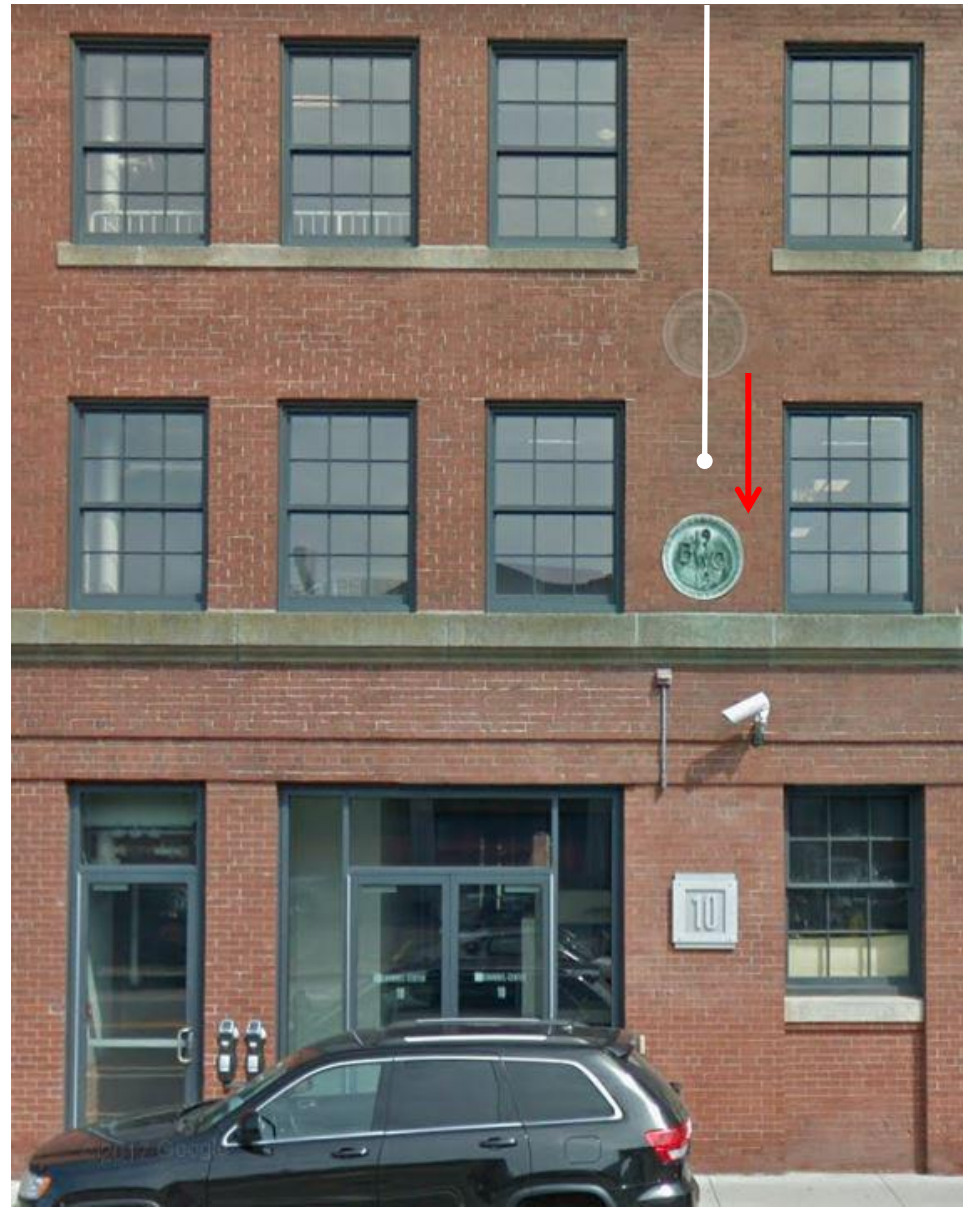
Myriad Pro, Bold, Crisp:
A B C D E F G H I J K L M N O P Q R S T U V W X Y Z
a b c d e f g h i j k l m n o p q r s t u v w x y z

Britannic Bold, Regular, Strong:
1 2 3 4 5 6 7 8 9 10

SIGNAGE DESIGN STUDIES
 ELEVATIONS OF CURRENT DESIGN OPTIONS



20 CHANNEL CENTER ENTRY



10 CHANNEL CENTER ENTRY

PHOTOS OF PROPOSED ENTRY CONDITIONS

RENDERED PHOTO



MIDDLE OF CHANNEL CENTER BLOCK

PHOTOS OF PROPOSED CONDITIONS

RENDERED PHOTO



12 THOMPSON PLACE



15 MIDWAY STREET

MEDALLION PRECEDENT IMAGES
LOCATIONS ON MULTI-STORY BUILDINGS (THEN & NOW)



RENDERING OF PROPOSED SIGNAGE LOCATIONS
AERIAL VIEW LOOKING TOWARDS BUILDING OVER A STREET



RENDERING OF PROPOSED SIGNAGE LOCATIONS
STREET VIEW LOOKING TOWARDS BUILDING AT CORNER OF A STREET



RENDERING OF PROPOSED SIGNAGE LOCATIONS
STREET VIEW LOOKING TOWARDS BUILDING ON SIDEWALK