

Zoning

694 TREMONT



0900530000



Regulations may apply!
 Please see sections below for more information or use the Questions button for specific inquiries.

Assessing

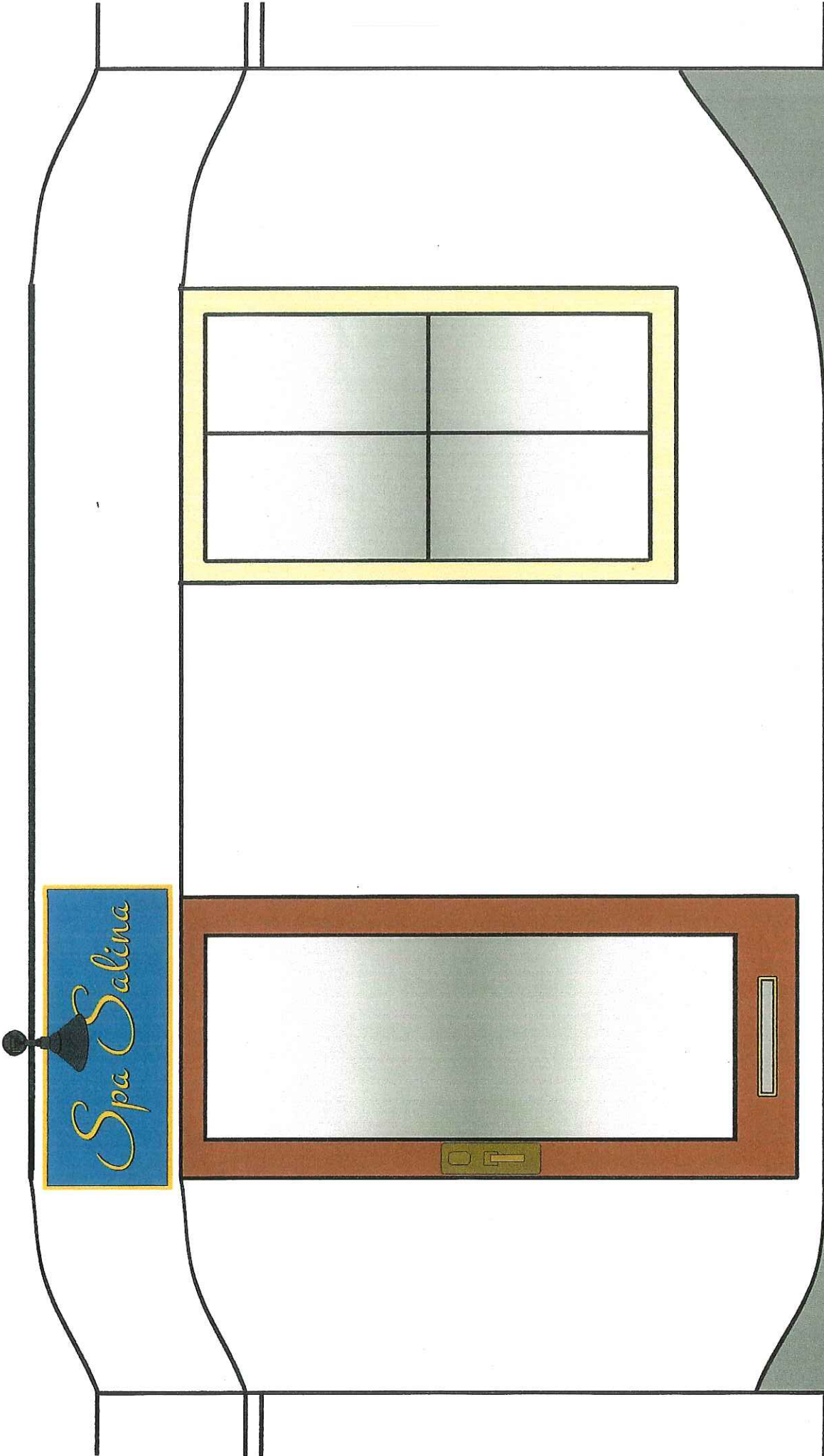
Parcel ID : 0900530000
Address : 694 A694 TREMONT ST ●
Owner : HARRIGAN NOLA
More Info : [Assessor's Report](#)
See Also : [Property Viewer](#)

Zoning

Zoning District : South End Neighborhood
Zoning Subdistrict : MFR/LS
Subdistrict Type : Multifamily
 Residential/Local Services
Overlays : [Groundwater Conservation, Restricted Parking,](#)



Layers





Exterior Wood Doors



TORREFIED DOOR COLLECTION

Highest Performance Available Solid Wood

Superior Door Construction –

- 1 1/8" Thick Solid Double Hip-Raised Panels
- Solid Stiles & Rails – no veneers
- Fir & Mahogany
- Improved assembly method for durability

Unlimited design options.

20-Year Door Warranty –

- No Warping, Twisting, Decay or Delamination
- Warranty is transferable to new Homeowner
- No Overhang Required *
- Fir & Mahogany – Stain with Urethane Coating is required

CHEMICAL FREE TECHNOLOGY

THERE'S NEVER BEEN A DOOR THIS GOOD. EVER.

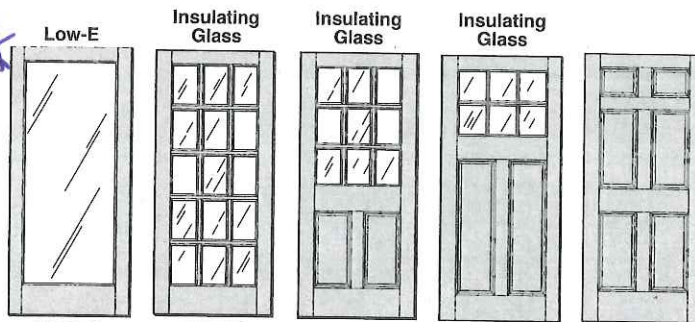
Torrefication is an all-natural green process whereby wood is heated in order to eliminate its tendency to rot. It also makes wood far more structurally stable, and highly resistant to heat, cold and moisture!



Fir



Mahogany



1 3/4" Thick

5001-T
5 1/2" Stiles

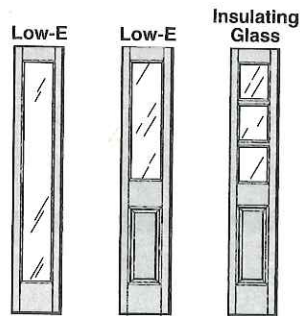
1515-T
5 1/2" Stiles

944-T
5 1/2" Stiles

2662-T
5 1/2" Stiles

C66-T
5 1/2" Stiles

FIR (F)			✓	✓	✓
MAHOGANY (M)	✓	✓	✓		✓



1 3/4" Thick

1701-T

1702-T

1703-T

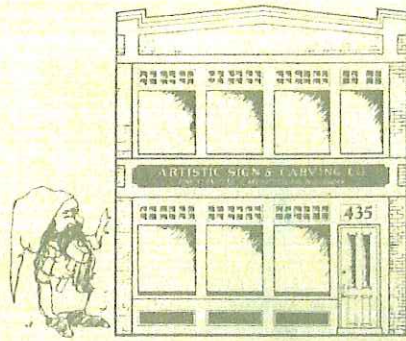
FIR (F)	✓	✓	✓
MAHOGANY (M)	✓	✓	✓

Available in any door design up to 8'-0" heights. Pre-drilling of pilot holes is required.

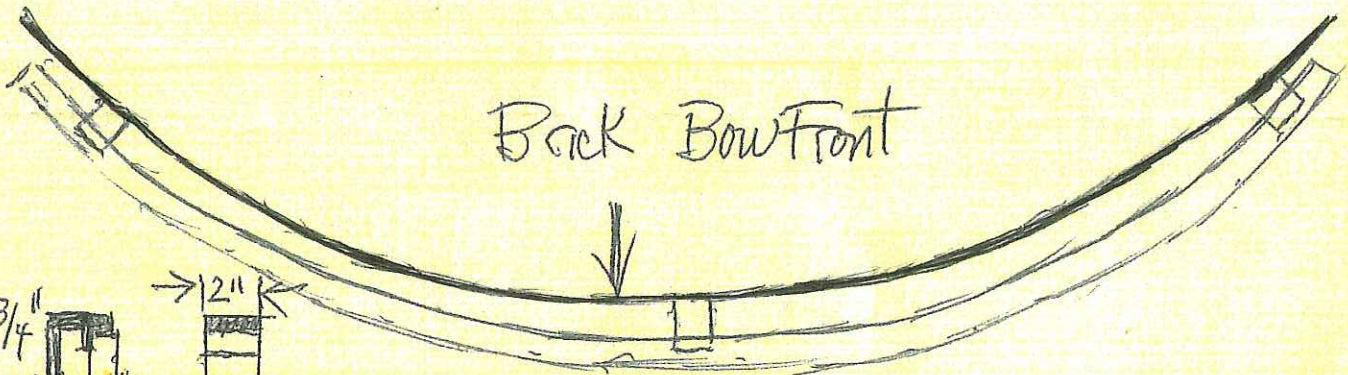
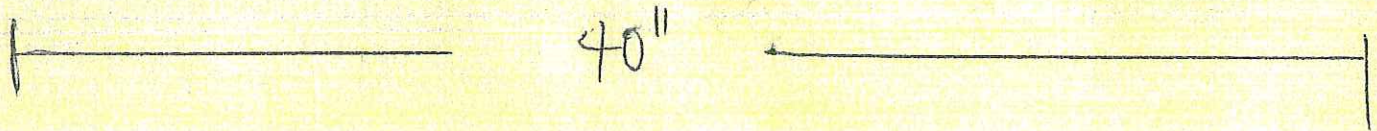
* We recommend a cap bead of silicone around the glass and filling the gap between the panel and the sticking if an overhang is not protecting the door.

ARTISTIC SIGN & CARVING COMPANY

HAND-CARVED SIGNS SINCE 1975



18"



2"

1/4 x 2" iron

Copy pinned off MDO Panel

Welcome guest. Sign in or Register

CART IS EMPTY

MY ACCOUNT



LIGHTING

DINNERWARE

FURNITURE

FANS FROM FRIENDS

ACCESSORIES

TRADE

SIGN LIGHTING

Home > Lighting > Barn Lighting > Sign Lighting > The Frontier LED Angle Shade



THE FRONTIER LED ANGLE SHADE 9 of 17

[Write a review](#) **\$463.00**

BLE-G-ASFC-LED

Shade Size: Finishes:

Gooseneck Arms: Gooseneck Arm Finish:

Swivel Knuckle: Wire Cage: Cage Finish:

Copper/Brass Backing Plate & Hex Cover: Lumens:

Color Temperature:

Add To Wish List Add To Cart QTY: 1

- PRODUCT DETAILS
- FINISH CHART / FEATURES
- SPECS
- REVIEWS

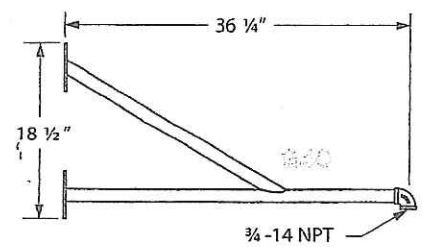
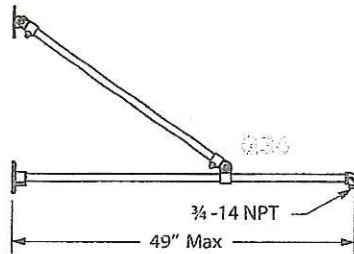
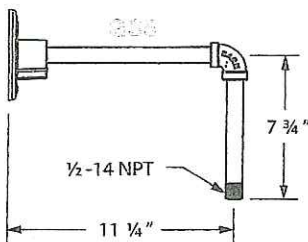
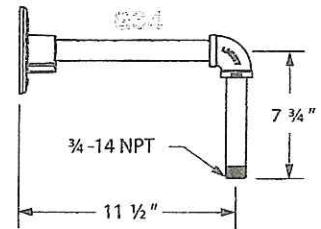
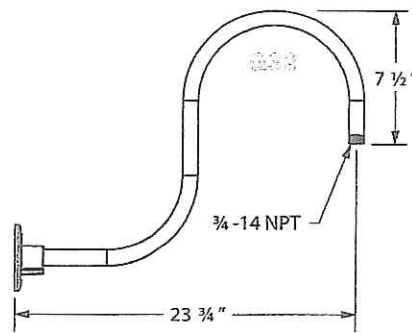
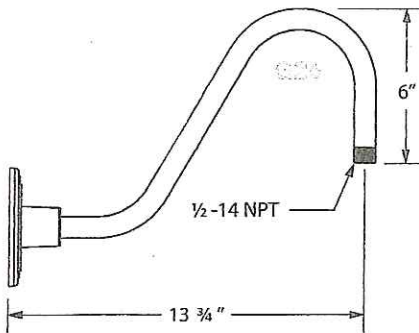
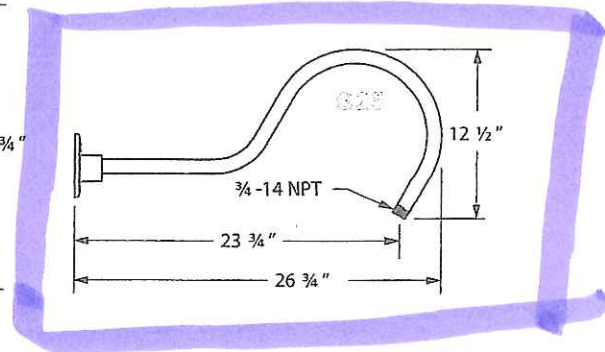
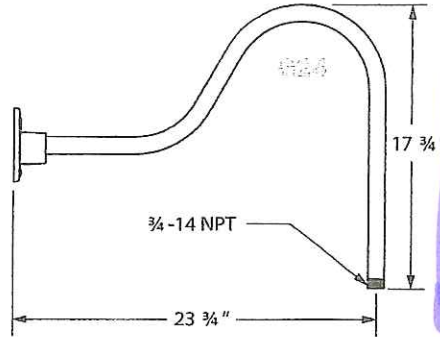
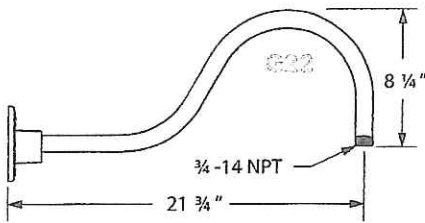
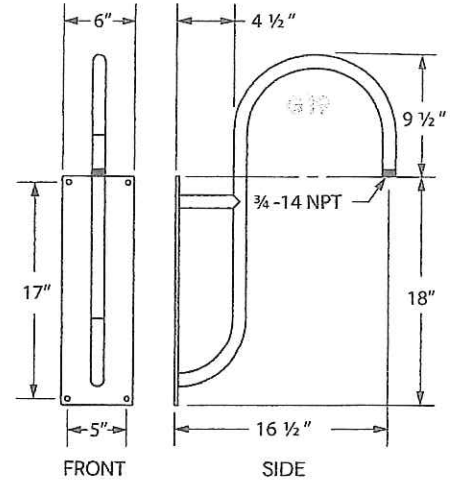
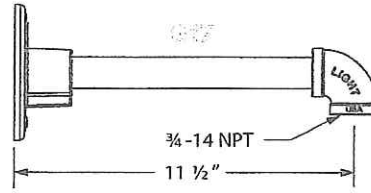
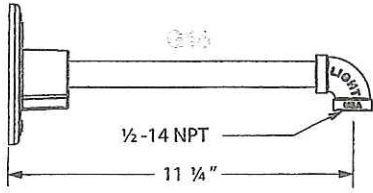
We try to look back to the designs of vintage lighting for inspiration. Lighting in the early 20th century featured a durability that went unappreciated in its time. That ruggedness disappeared as time progressed. However, we've revived those classic manufacturing techniques and brought them into the modern era. The design of this specific sign light dates back to classic gas station lighting. Business owners used angle shade sign lighting to illuminate their logos at night. Today modern uses include highlighting awnings, signs, outdoor murals and restaurant menus.

Now equipped with Cree's latest LED technology, sign lights are even more advantageous. Using far less energy than other fixtures, LED lighting saves money on energy bills as it performs its vital function. LED sign lighting offers about 50,000 hours of service. This not only saves money, but also reduces time spent on maintenance.

The Frontier LED Angle Shade isn't just a practical lighting fixture. With an abundance of customization options, LED sign lights can match the rest of your decor. Sign lights can blend into your space. However, there's dynamic powdercoat finishes available that helps the angle shade stand out. No matter which options you select, the Frontier LED Angle Shade requires little maintenance and a lifetime of service. [Read More](#)

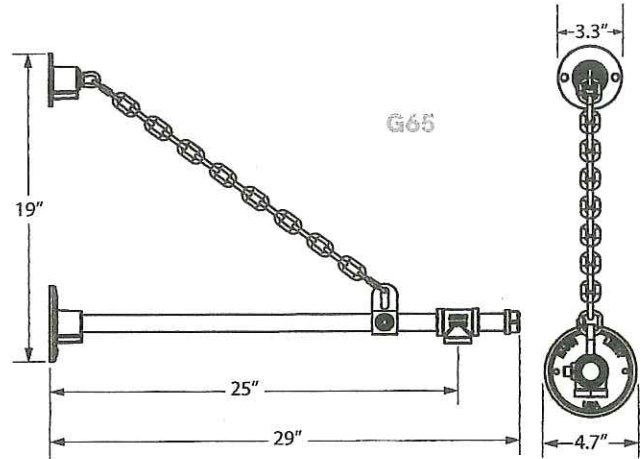
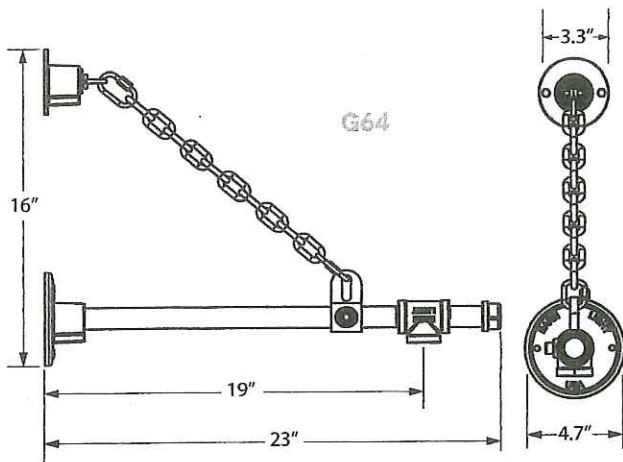
C - MOUNTING (CONTINUED)

GOOSENECKS (CONTINUED)



C - MOUNTING (CONTINUED)

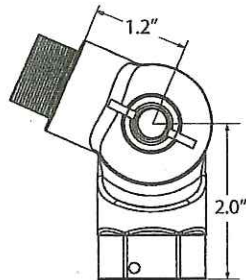
GOOSENECKS (CONTINUED)



E - SWIVEL KNUCKLE

Adding the utmost degree of flexibility to your new sign light is a swivel knuckle which attaches to the top of the shade. This rugged piece of hardware allows your shade to be manipulated to the exact positioning needed.

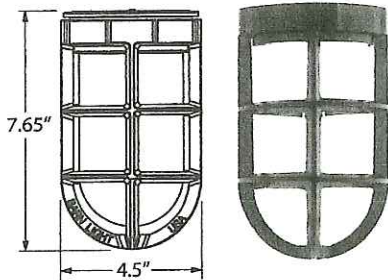
SWIVEL KNUCKLE (SWK)



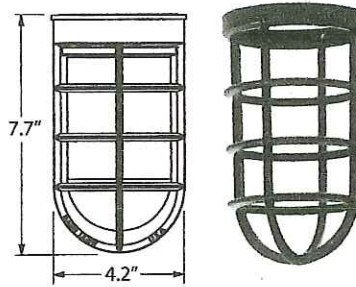
F - OPTIONAL WIRE CAGE OR GUARD

Several optional decorative — yet functional — accessories are available for these shades. Three guard styles — ranging from a heavy-duty option to a thinner, lightweight wire guard — enclose the bulb itself.

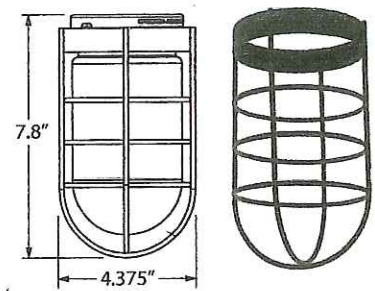
HEAVY DUTY GUARD (TGG)



CAST GUARD (CGG)



WIRE GUARD (WGG)



SHADE SIZES:

10" Shade: W 10" x H 9 1/4"

12" Shade: W 12" x H 10 1/4"

14" Shade: W 14" x H 11"

Additional Information:

- Finish: Multiple (See Finish Options)
- Mounting: Multiple (See Gooseneck Options)
- Backplate Dimensions: 2 1/4" Proj. x 6 1/2" Dia.
- Copper & Brass Backplate and Coupler Finish: Brushed aluminum backplate and coupler included with a selection of copper/brass goosenecks.
- Number of Sockets: 1
- Use: CSA Listed for Wet Locations
- Lead Time: 7-14 Business Days (Not Applicable to Commercial Orders)
- Manufactured in the U.S.A. This light fixture is made-to-order to suit your custom specifications. Learn more about the process here.
- No Returns Accepted on this Product
- Natural finishes have an estimated 3 week manufacturing time.

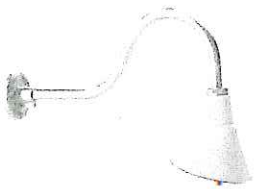
Please Note: No metal fixture, no matter the finish, is guaranteed against corrosion especially in salt air environments. If your fixtures will be installed in a location near salt water or with extreme weather conditions, we recommend routine and careful maintenance of your lighting including a mild soap-and-water wash and gentle buffing to help maintain the finish.

For copper and brass, the optional finishes are applied by hand, meaning slight variations may occur from shade to shade. Due to atmospheric conditions during the manufacturing process, additional discrepancies from the photos shown above are possible.

Additional LED Product Details:

- LED Driver: Triac Dimming 12W / 120V Mounted in Canopy
- LED Dimming Option: 850 & 1250 Lumens - up to 5% dimming | 2000, 3000 & 4000 Lumens - reliant on 0-10V dimmer, generally up to 10% dimming. Requires compatible dimming switch.
- LED Efficiency: Delivers over 95 Lumens Per Watt
- LED Lumen(LM) Comparison: 850LM Compares to 60W INC. Bulb; 1250LM Compares to 75W INC. Bulb; 2000LM Compares to 150W INC. Bulb
- LED Color Temperature: Cree's 2-Step EasyWhite® Technology ensures excellent color consistency, with your choice of 2700K, 3000K, 3500K or 4000K.
- LED Warranty: 5 Year Parts and Labor Warranty

You May Also Like



The Quaker's Path LED Barn Light

The Frontier LED Light

The Quaker's Path LED Barn Light

The Quaker's Path LED Barn Light