

GENERAL NOTES

CODE SPECIFICATIONS

1. ALL GENERAL WORK SHALL BE COMPLETED IN ACCORDANCE WITH THE MASSACHUSETTS STATE BUILDING CODE, 8TH EDITION (780 CMR).
2. ALL ELECTRICAL WORK SHALL BE COMPLETED IN ACCORDANCE WITH THE LOCAL UTILITY COMPANY SPECIFICATIONS & NEC 2014 WITH MA AMENDMENTS.

GROUNDING & ANTENNA INSTALLATION

1. GROUNDING SHALL COMPLY WITH THE LOCAL UTILITY COMPANY CODES AND REQUIREMENTS, NEC ART. 250, AND NESC 2012.
2. ALL GROUND CONNECTIONS TO BE BURNDY HYGROUND COMPRESSION TYPE CONNECTORS OR CADWELD EXOTHERMIC WELD.
3. ROUTE GROUNDING CONNECTORS ALONG THE SHORTEST AND STRAIGHTEST PATH POSSIBLE, EXCEPT AS OTHERWISE INDICATED. GROUNDING LEADS SHOULD NOT BE BENT AT RIGHT ANGLES. ALWAYS MAKE 12" RADIUS BENDS. #6 WIRE CAN BE BENT AT 6" RADIUS WHEN NECESSARY.
4. CONNECTIONS TO GROUNDING BAR SHALL BE MADE WITH TWO HOLE COMPRESSION TYPE COPPER LUGS. APPLY OXIDE INHIBITING COMPOUND TO ALL LOCATIONS.
5. TEST COMPLETED GROUNDING SYSTEM AND RECORD RESISTANCE VALUES FOR PROJECT CLOSE-OUT DOCUMENTATION. GROUND RESISTANCE SHALL BE WITHIN VERIZON SPECIFICATIONS.

CONSTRUCTION NOTES

1. CONDUIT SHALL BE TWO INCH PVC, HEAVY WALL SUNLIGHT RESISTANT (6-7 PERCENT TITANIUM DIOXIDE BY WEIGHT), SCHEDULE 40 AS PER ANSI/NEMA TC 2-2003.
2. DISCONNECT AND OVERCURRENT PROTECTION SIZED AND DESIGNED IN COMPLIANCE WITH NEC REQUIREMENTS FOR OUTDOOR INSTALLATIONS. THIS MAY BE LOCATED IN A SEPARATE COMPARTMENT FOR CT/MA INSTALLATIONS.
3. ANTENNA AND ALL MOUNTING BRACKETS SHALL HAVE GALVANIZED STEEL MOUNTING BASES. THESE SHALL BE SECURED TO THE POLE WITH GALVANIZED HARDWARE OF ADEQUATE STRENGTH FOR THE LOAD.
4. RADIO FREQUENCY (RF) RADIATION WARNING SIGNAGE AS REQUIRED BY OSHA SHALL BE PRESENT AND VISIBLE TO PERSONS WORKING NEAR ANTENNA. REQUESTER MUST SUBMIT DOCUMENTS THAT STATE THE RF OUTPUT OF THE ANTENNA FOR EACH LOCATION.

SITE NOTES

1. NORTH SHOWN IS APPROXIMATE. NOT ALL EXISTING OR PROPOSED IMPROVEMENTS ARE SHOWN FOR CLARITY.
2. THIS DOCUMENT IS FOR LEASING PURPOSES ONLY.
3. POWER AND TELCO TO COME FROM EXISTING OVERHEAD AND UNDERGROUND UTILITY LINES. SERVICE SOURCE TO BE DETERMINED. SEE ONE LINE DIAGRAM FOR CONTRACTOR AND UTILITY COMPANY RESPONSIBILITIES.
4. SITE PLAN AND ELEVATIONS BASED ON SITE VISIT BY PROTERRA DESIGN GROUP, LLC ON 10/24/16.
5. APPROXIMATE PROPOSED LIGHT POLE COORDINATES BASED ON FAA-2C FIELD SURVEY PERFORMED USING GPS. FINAL COORDINATES AND ELEVATIONS OF LIGHT POLE MAY VARY FROM EXISTING AS SHOWN HEREON.
6. AERIAL IMAGERY BASED ON GOOGLE.
7. THIS PLAN EXHIBIT IS SCHEMATIC IN NATURE AND IS INTENDED TO PROVIDE GENERAL INFORMATION REGARDING THE LOCATION AND SIZE OF THE PROPOSED WIRELESS COMMUNICATION FACILITY. THE CONTRACTOR SHALL PROVIDE LICENSED TECHNICIANS FAMILIAR WITH SUCH INSTALLATIONS AND THE REQUIRED CODES.

STRUCTURAL NOTES

1. BEFORE ISSUANCE OF ATTACHMENT LICENSE, POLE OWNER HAS COMPLETED INDUSTRY-STANDARD STRUCTURAL ANALYSIS TO CONFIRM THAT POLE HAS STRUCTURAL CAPACITY TO SUPPORT THE ATTACHMENTS PROPOSED, BASED ON STANDARDS SPECIFIED IN NATIONAL ELECTRICAL SAFETY CODE (LATEST EDITION)
2. CONTRACTOR TO CONFIRM ANTENNA AND EQUIPMENT ATTACHMENT METHOD WITH STRUCTURAL ANALYSIS AND VERIZON WIRELESS PRIOR TO CONSTRUCTION.

BRIGHTON SC16 MA

VERIZON LOCATION ID:

437019

POLE LOCATION:

**COMMONWEALTH AVENUE
BRIGHTON NEIGHBORHOOD
BOSTON, MA**

IN FRONT OF:

**2025 COMMONWEALTH AVENUE
BOSTON, MA 02135**



IMAGE SOURCE: GOOGLE EARTH 2016



KEY PLAN
SCALE: N.T.S.



APPROXIMATE PROPOSED LATITUDE: N 42.340102'± N 42° 20' 24.37"±
POLE COORDINATES: LONGITUDE: W 71.159574'± W 71° 09' 34.47"±

(SEE SITE NOTES NO. 5)

LEASE EXHIBIT



118 FLANDERS ROAD
THIRD FLOOR
WESTBOROUGH, MA 01581



4 Bay Road, Bldg A
Suite 200
Hadley, MA 01035
Ph: (413)320-4918

REV	DATE	DESCRIPTION	BY	CHK	APP'D
0	11/15/16	LEASE EXHIBIT	MJV	TEJ	JMM

REVISIONS

BRIGHTON SC16 MA
COMMONWEALTH AVENUE
BOSTON, MA

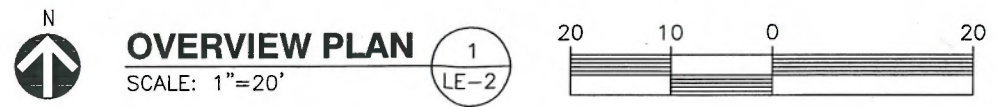
LE-1



REV	DATE	DESCRIPTION	BY CHK APP'D		
			MJV	TEJ	JMM
0	11/15/16	LEASE EXHIBIT			

REVISIONS

BRIGHTON SC16 MA
 COMMONWEALTH AVENUE
 BOSTON, MA

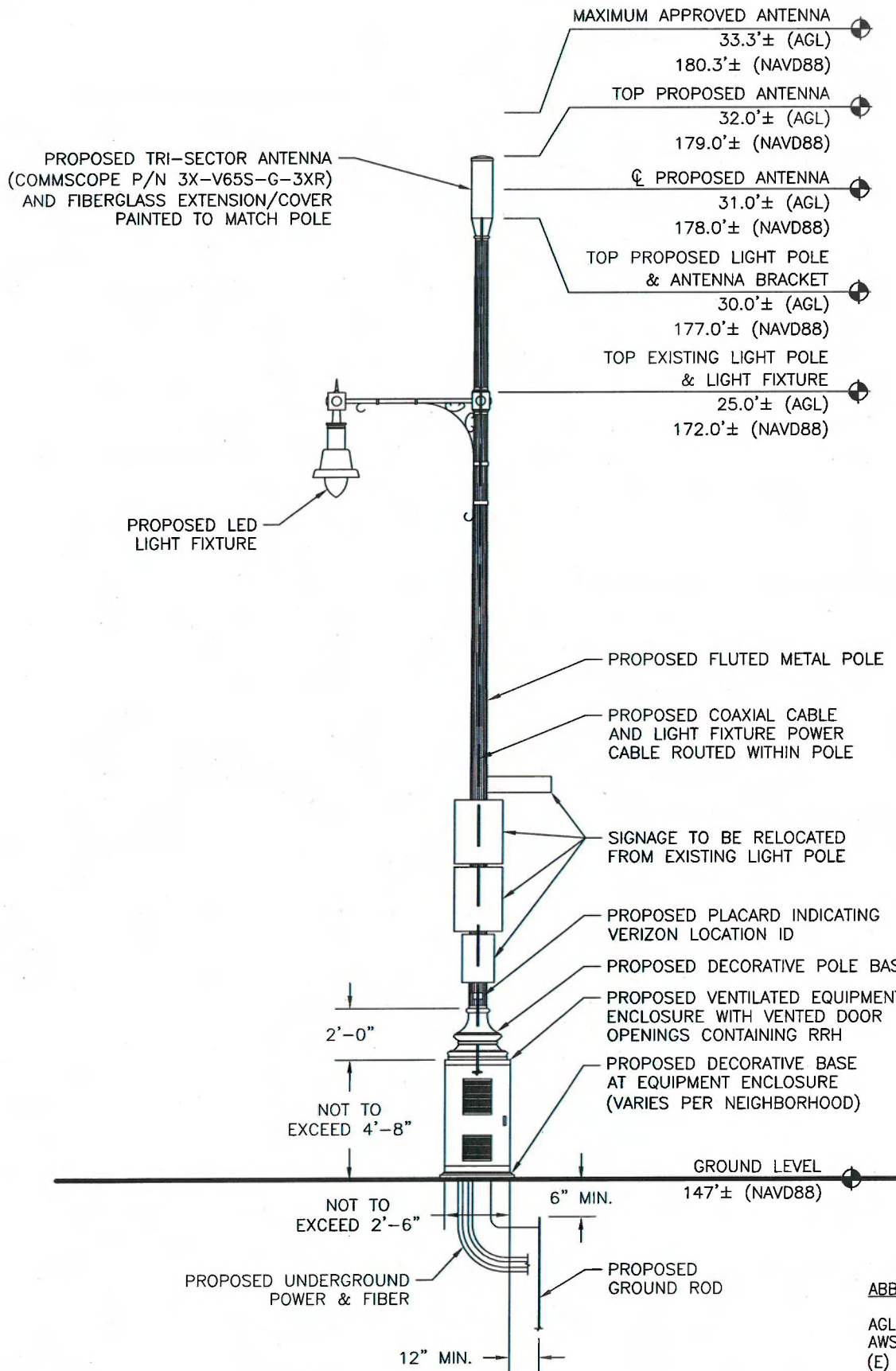


REV	DATE	DESCRIPTION	BY	CHK	APP'D
0	11/15/16	LEASE EXHIBIT	MJV	TEJ	JMM

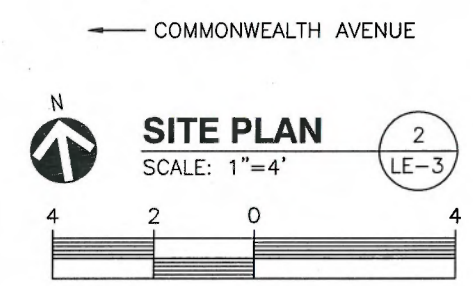
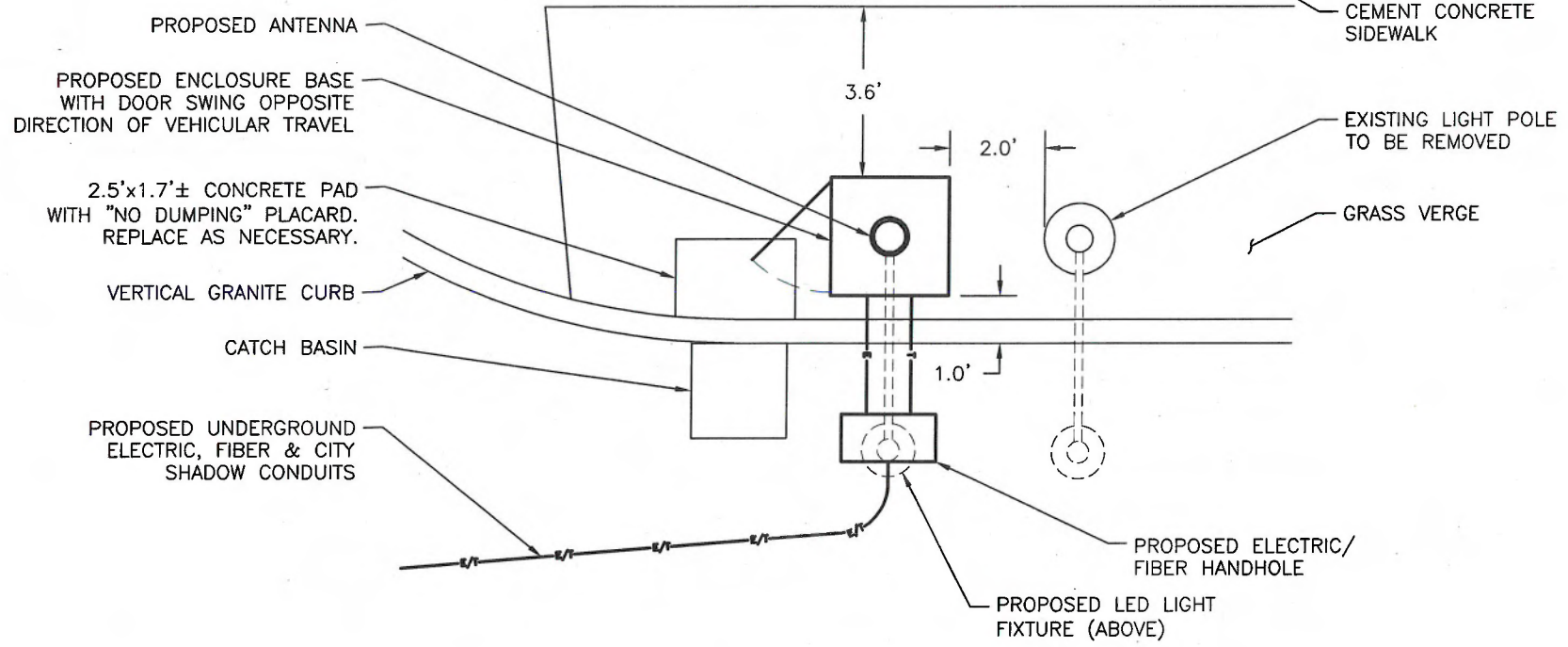
REVISIONS

BRIGHTON SC16 MA
COMMONWEALTH AVENUE
BOSTON, MA

LE-3



- ABBREVIATIONS:**
- AGL ABOVE GROUND LEVEL
 - AWS ADVANCED WIRELESS SERVICES
 - (E) EXISTING
 - NAVD88 NORTH AMERICAN VERTICAL DATUM 1988
 - (P) PROPOSED
 - (R) RELOCATE
 - RGS RIGID GALVANIZED STEEL
 - RRH REMOTE RADIO HEAD
 - SAR-O SERVICE AGGREGATION ROUTER-OPTICAL
 - V.I.F. VERIFY IN FIELD



1. ALL DISTANCES, DIMENSIONS, LOCATIONS, AND EQUIPMENT DESIGNATIONS AND SPECIFICATIONS ARE APPROXIMATE.
2. ALL MATERIALS WILL MATCH CURRENTLY EXISTING MATERIALS AND WHERE NEEDED ANY RF FRIENDLY MATERIAL WILL BE PAINTED TO MATCH.
3. IT IS ASSUMED THAT ALL PROPOSED UTILITIES WILL BE ROUTED BELOW GRADE TO THE PROPOSED INSTALLATION.
4. POLE REPLACEMENT HEIGHTS WILL VARY BASED ON REQUIRED ANTENNA HEIGHTS REQUESTED BY VERIZON WIRELESS.
5. RRH TO BE NO LARGER THAN 16"Wx12"Dx40"H.
6. ANTENNA TO BE NO LARGER THAN 16"Øx40"H.
7. POLE REPLACEMENT INFO FOR ALL PENDANT LIGHT POLES:
21' EXISTING POLE TO BE REPLACED WITH A NEW POLE WITH A MAX HEIGHT OF 25.2'.
25' EXISTING POLE TO BE REPLACED WITH A NEW POLE WITH A MAX HEIGHT OF 30'.
8. PENDANT POLE IS A PRE-APPROVED LIGHT POLE TYPE KNOWN AS EXHIBIT X-3
9. VZW WILL PLACE SMALL PLACARD ON POLE IDENTIFYING OWNERSHIP/CONTACT INFORMATION.
10. LED LIGHT & LUMINARE ARM WILL BE AT SAME HEIGHT AS EXISTING.
11. PROPOSED LIGHTING WILL CONFORM TO THE CITY OF BOSTON'S LIGHTING STANDARDS.

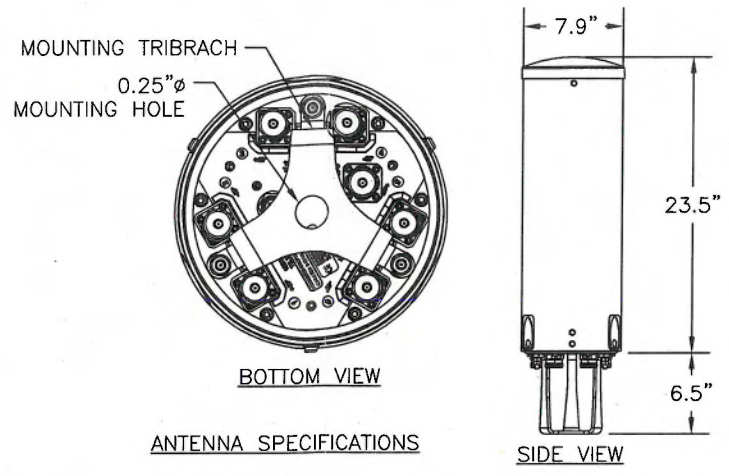


REF: PROTERRA 10/24/16

PHOTO DETAIL

SCALE: N.T.S.

1
LE-4



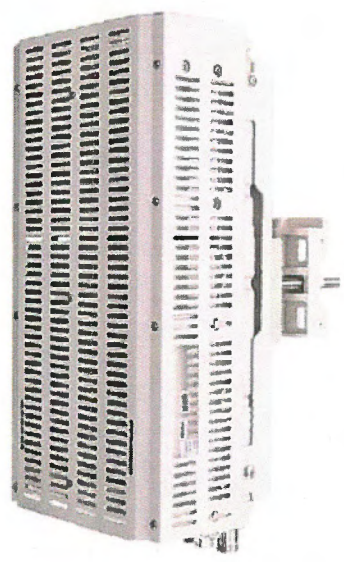
ANTENNA SPECIFICATIONS

MODEL: COMMSCOPE
3X-V65S-G-3XR
ANTENNA DIMENSIONS: 7.9"Ø x 23.5"H
TOTAL DIMENSIONS: 7.9"Ø x 30"H
WEIGHT: 15.9 LBS. ±

ANTENNA DETAIL

SCALE: N.T.S.

2
LE-4



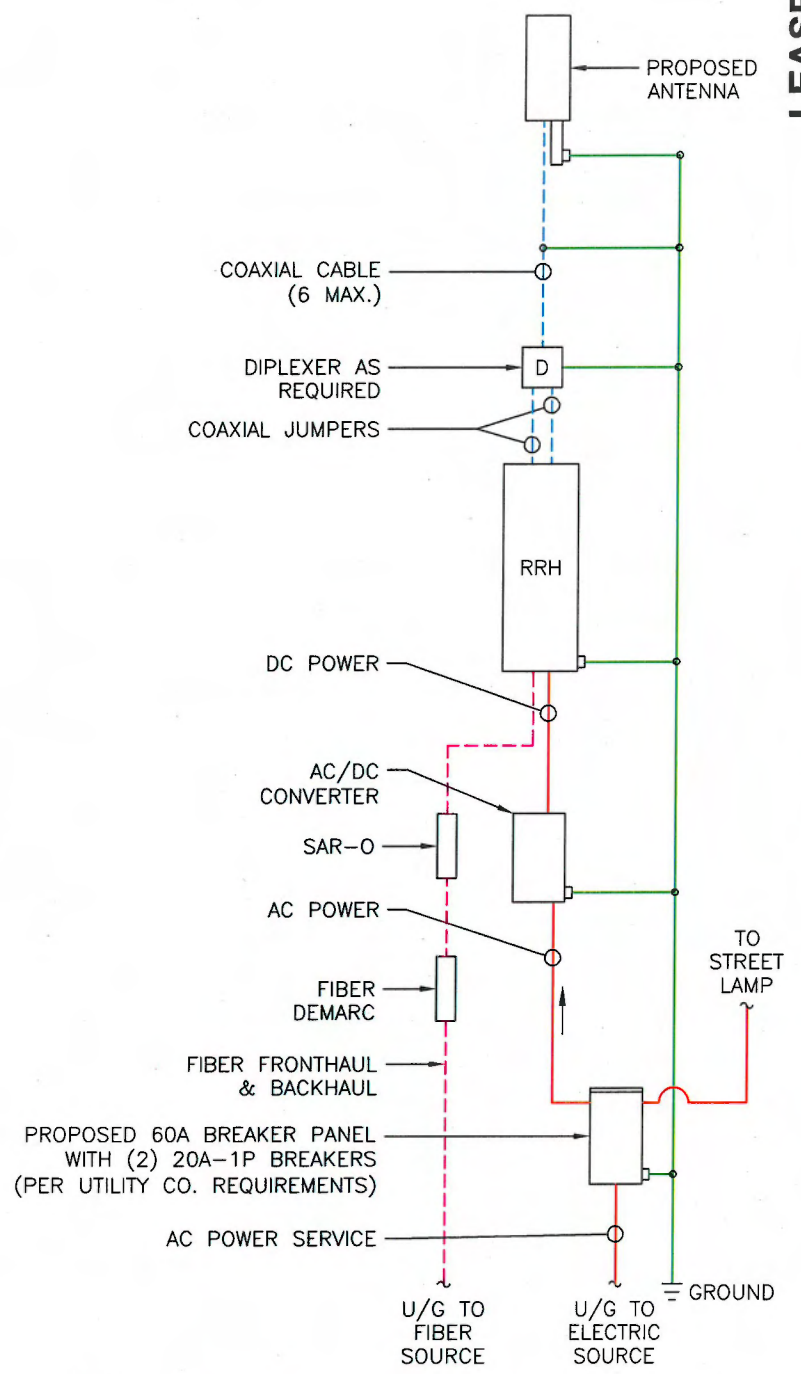
AWS RRH SPECIFICATIONS

DIMENSIONS: 25.8"H x 12"W x 7.3"D
WEIGHT: 67 LBS.

RRH DETAIL

SCALE: N.T.S.

3
LE-4



NOTES:

1. CONTRACTOR TO FIELD TEST AND TIE INTO EXISTING GROUNDING SYSTEM. IF GROUNDING SYSTEM DOES NOT MEET VERIZON WIRELESS STANDARDS OR IS NOT FOUND, CONTRACTOR SHALL NOTIFY POLE OWNER AND INSTALL GROUNDING SYSTEM PER UTILITY PROVIDER AND VERIZON WIRELESS REQUIREMENTS AND SPECIFICATIONS.
2. CONTRACTOR TO VERIFY FINAL ANTENNA DESIGN WITH VERIZON WIRELESS RF ENGINEER PRIOR TO CONSTRUCTION.
3. CONTRACTOR SHALL HAVE WRITTEN WORK AUTHORIZATION FROM POLE OWNER PRIOR TO COMMENCEMENT OF WORK.

GENERAL WIRING DIAGRAM

SCALE: N.T.S.

4
LE-4

LEASE EXHIBIT



PREPARED BY:

REVISIONS

REV	DATE	DESCRIPTION	BY	CHK	APP'D
0	11/15/16	LEASE EXHIBIT	MJV	TEJ	JMM

BRIGHTON SC16 MA
COMMONWEALTH AVENUE
BOSTON, MA

LE-4