

12/20/2017 2:08:58 PM



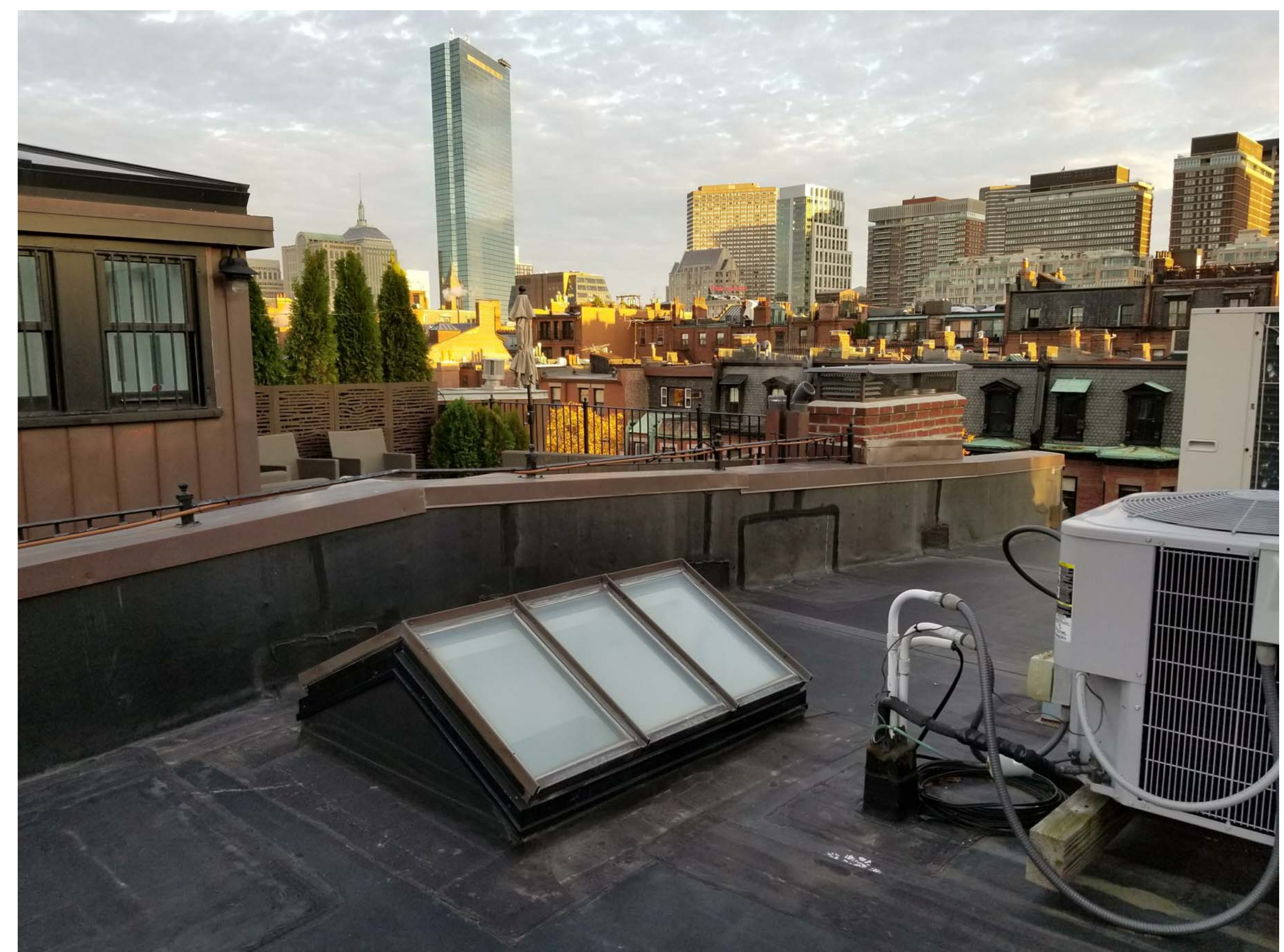
EXISTING - LOOKING SW TOWARDS 319 MARLBOROUGH



EXISTING - LOOKING NW TOWARDS 319 MARLBOROUGH



EXISTING - LOOKING NE TOWARDS 315 MARLBOROUGH



EXISTING - LOOKING SE TOWARDS 315 MARLBOROUGH



the
HOLLAND COMPANIES
Design & Construction

519 ALBANY STREET
SUITE 200
BOSTON, MA 02118

TEL 617.556.2900
FAX 617.556.2901

THEHOLLANDCOMPANIES.COM

Notes:

DATE: 12/11/17

PROJECT NAME: 317 Marib
PROJECT ADDRESS: 317 Marlborough Street,
Boston, MA 02116

SCALE: X
DRAWING: Pictures

12/20/2017 2:05:59 PM



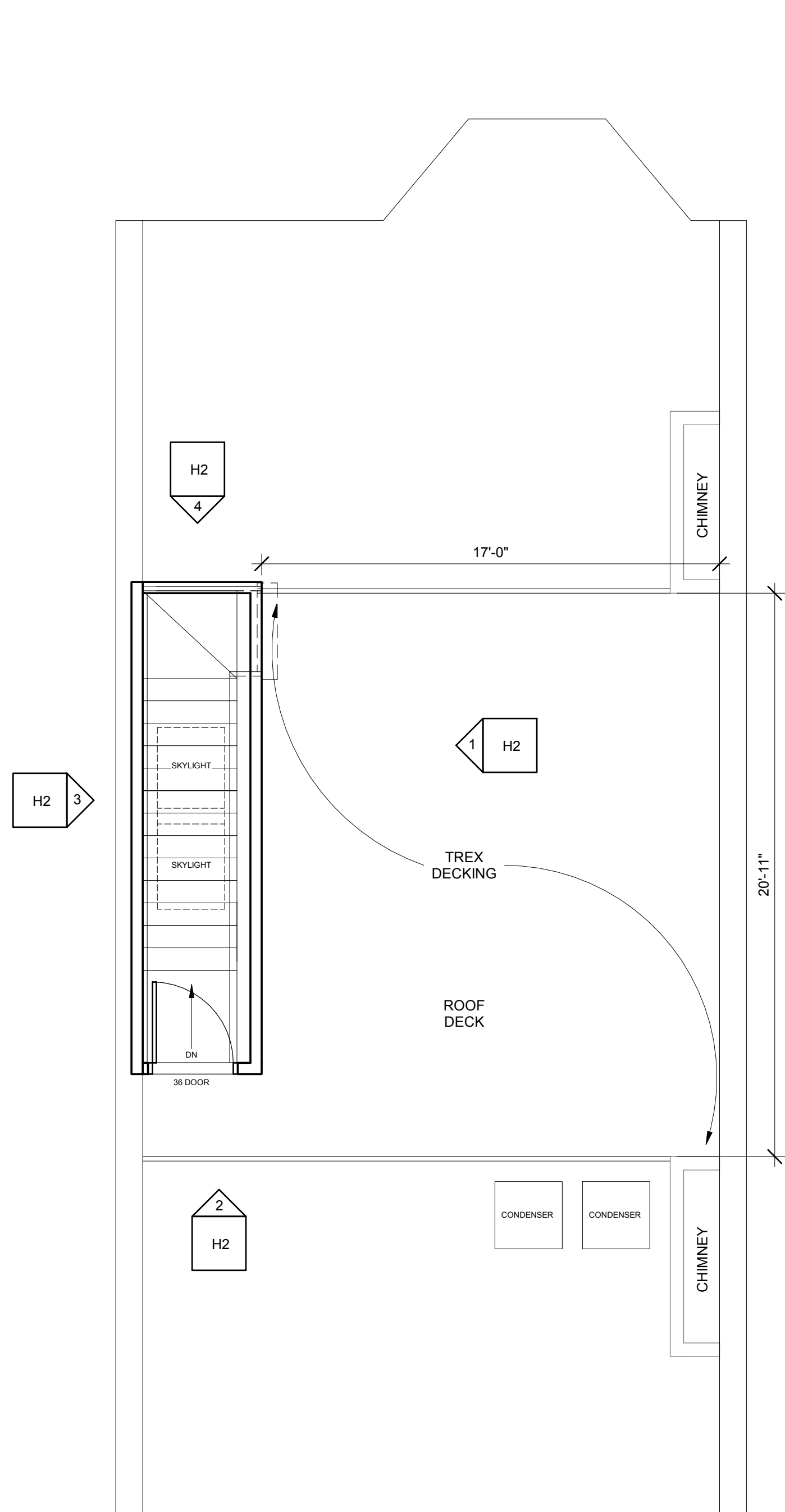
the
HOLLAND COMPANIES

Design & Construction

519 ALBANY STREET
SUITE 200
BOSTON, MA 02118

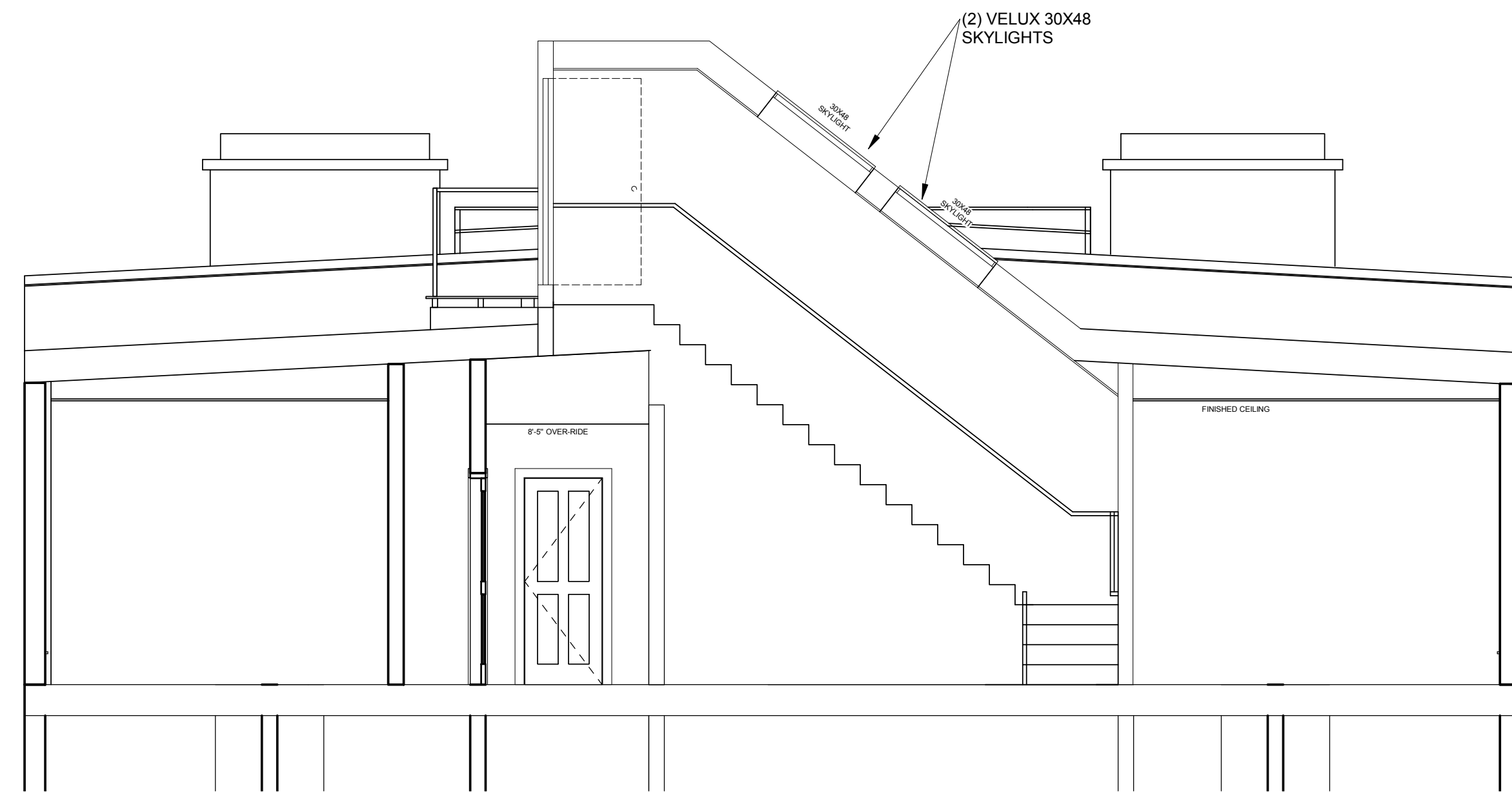
TEL 617.556.2900
FAX 617.556.2901

THEHOLLANDCOMPANIES.COM



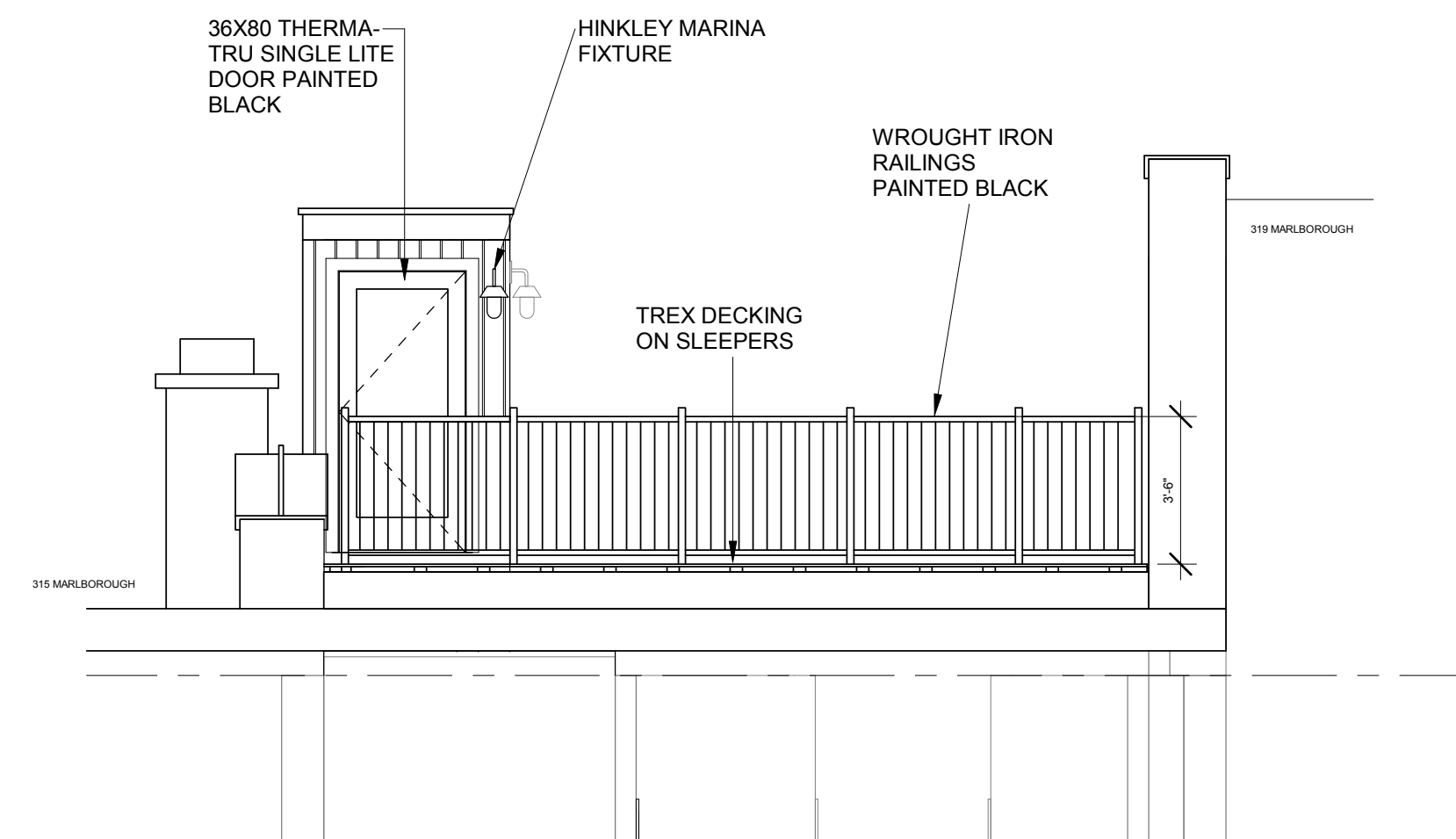
ROOF LEVEL STAIR

SCALE: 1/4" = 1'-0"



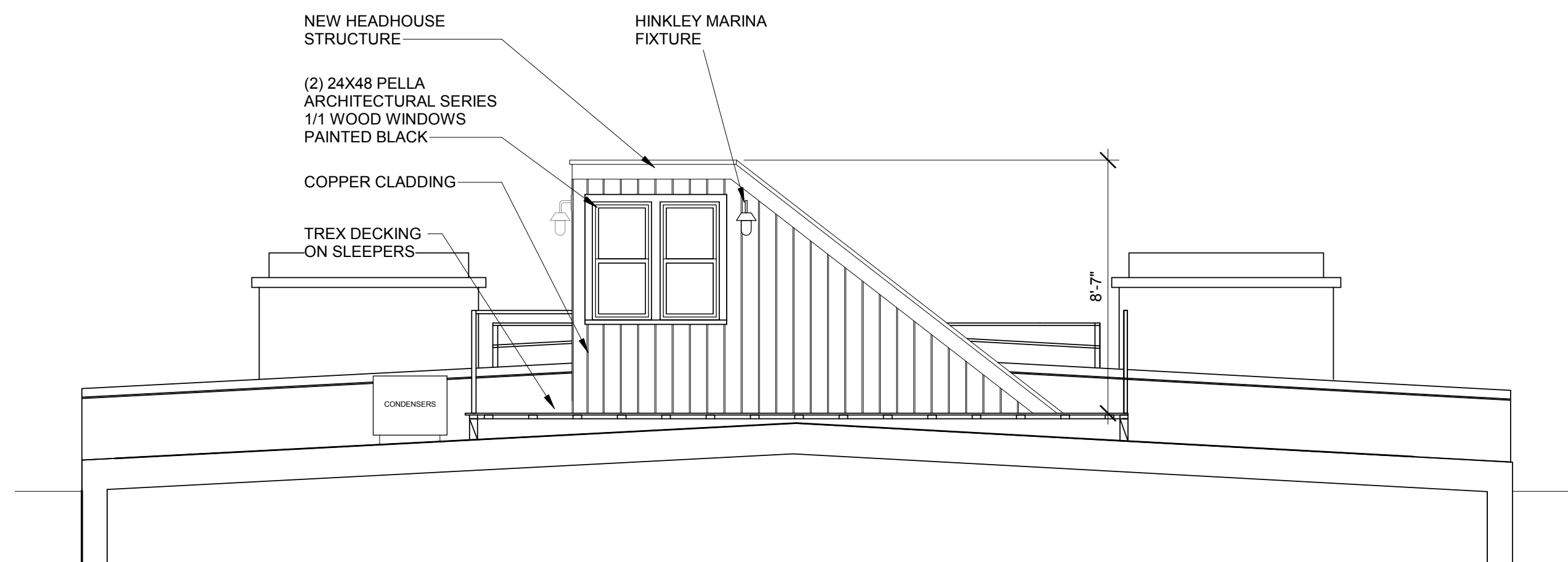
HEADHOUSE SECTION

SCALE: 1/4" = 1'-0"



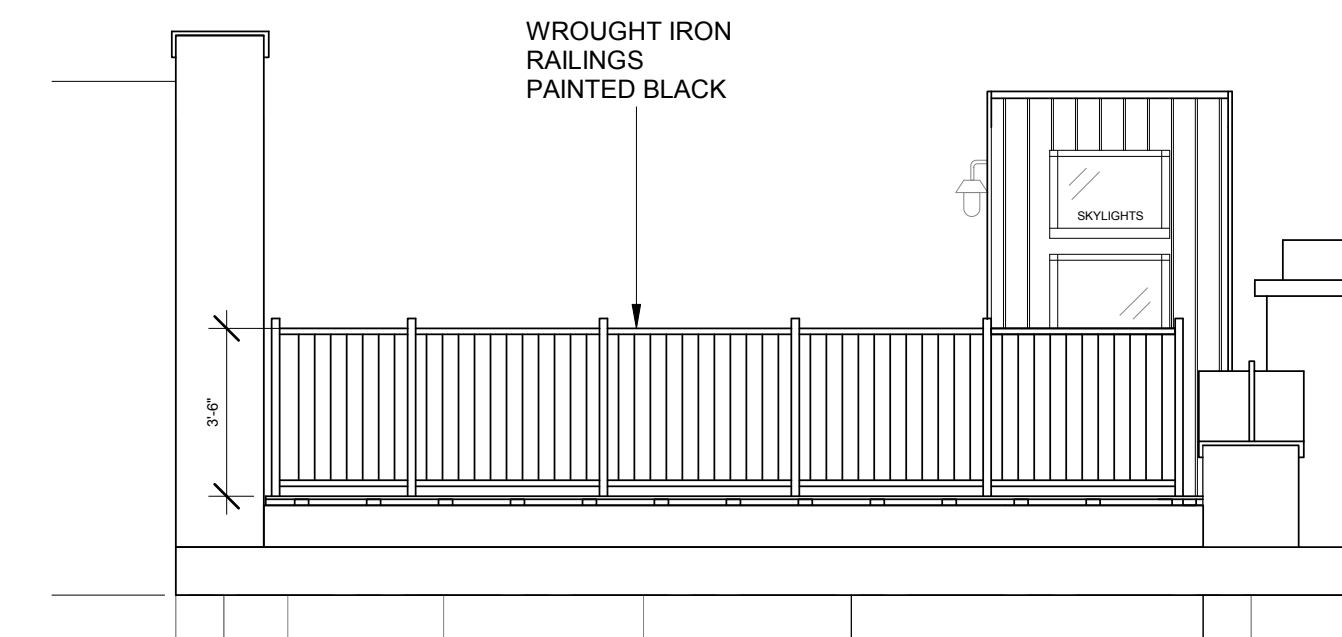
HEADHOUSE ELEVATION 2

SCALE: 1/4" = 1'-0"



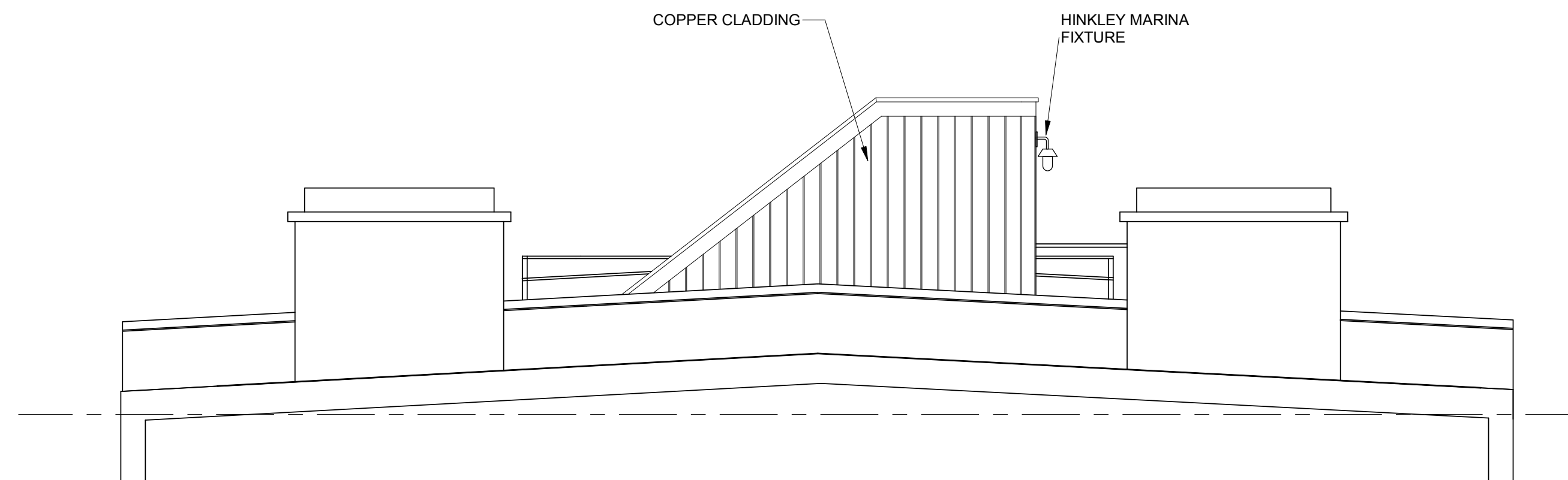
HEADHOUSE ELEVATION 1

SCALE: 1/4" = 1'-0"



HEADHOUSE ELEVATION 4

SCALE: 1/4" = 1'-0"



HEADHOUSE ELEVATION 3

SCALE: 1/4" = 1'-0"

NOTES:

DATE: 12/11/17

X

SCALE: 1/4" = 1'-0"

PROJECT NAME:
317 Marib
PROJECT ADDRESS:
**317 Marlborough Street,
Boston, MA 02116**

DRAWING:
Roof

H2

12/20/2017 2:08:59 PM



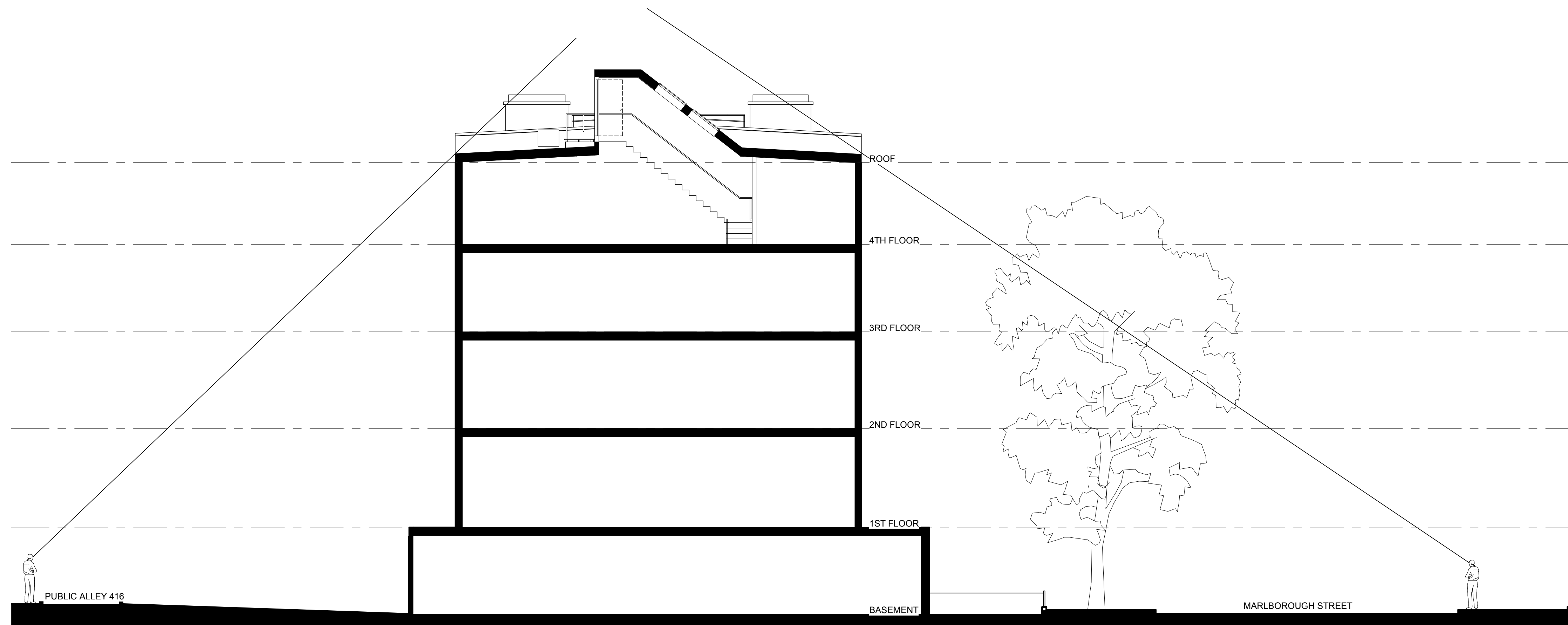
the
**HOLLAND
COMPANIES**

Design & Construction

519 ALBANY STREET
SUITE 200
BOSTON, MA 02118

TEL 617.556.2900
FAX 617.556.2901

THEHOLLANDCOMPANIES.COM



LONGITUDINAL SECTION

SCALE: 1/8" = 1'-0"

Notes:

DATE: 12/11/17

X

SCALE: 1/8" = 1'-0"

PROJECT NAME:
317 Marlborough Street
PROJECT ADDRESS:
**317 Marlborough Street,
Boston, MA 02116**

DRAWING:
Section

H3

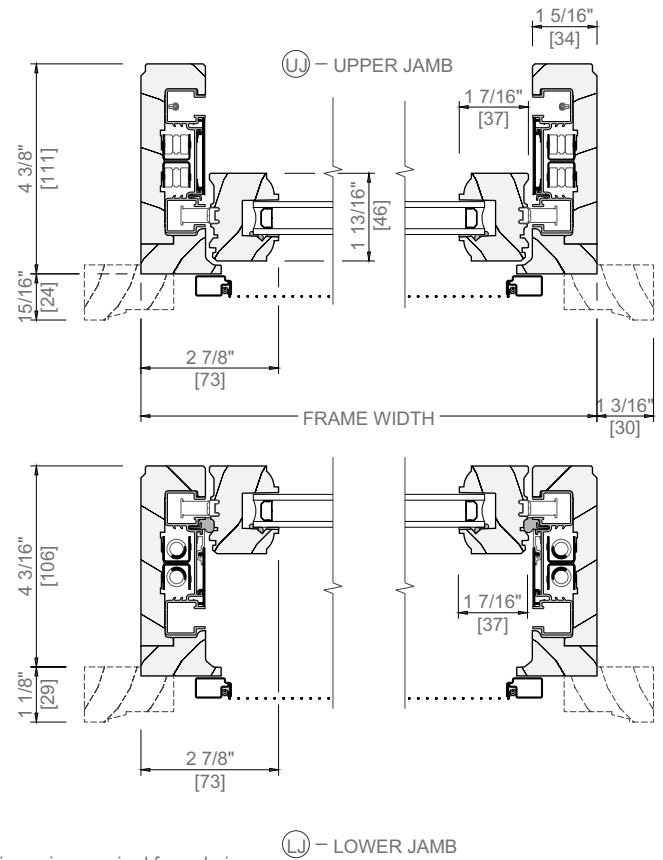
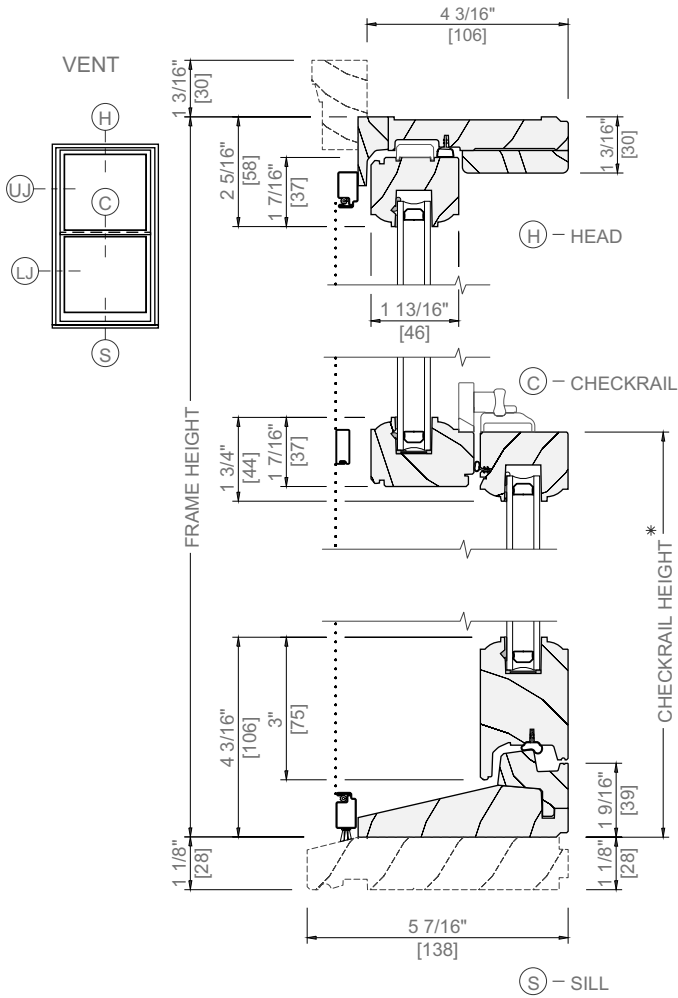


DOUBLE-HUNG

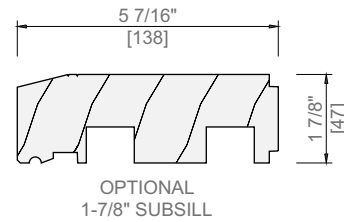
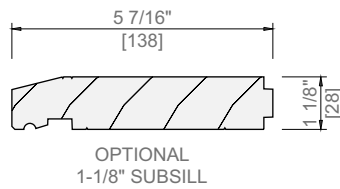
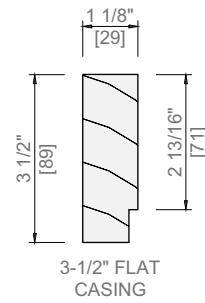
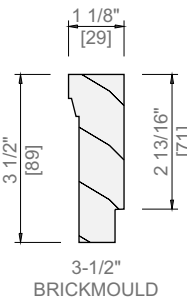
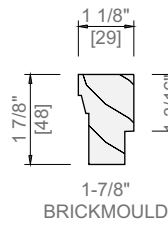
UNIT SECTIONS

Wood Exterior

LX Single- and Double-Hung



* Dimension required for ordering units with unequal sash.



Scale 3" = 1' 0"
All dimensions are approximate.

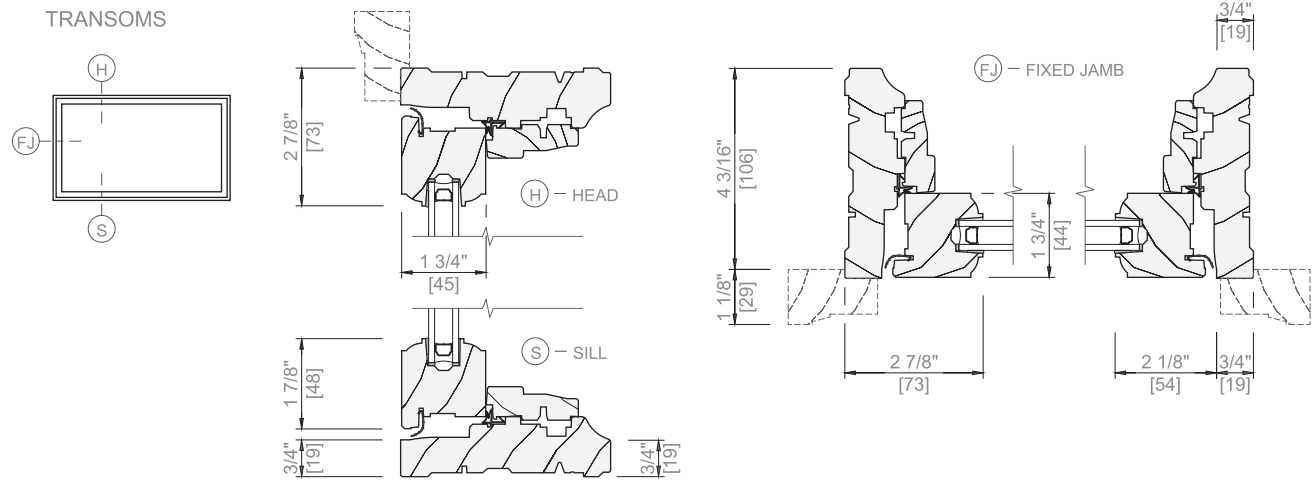
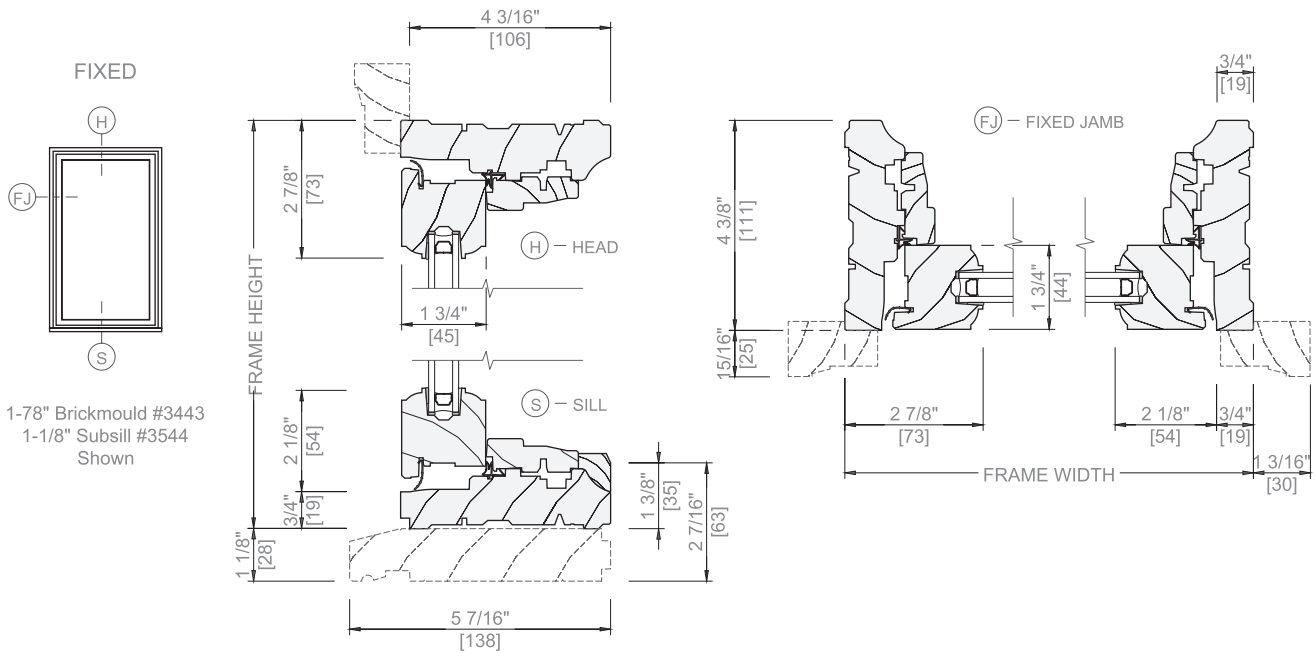


DOUBLE-HUNG

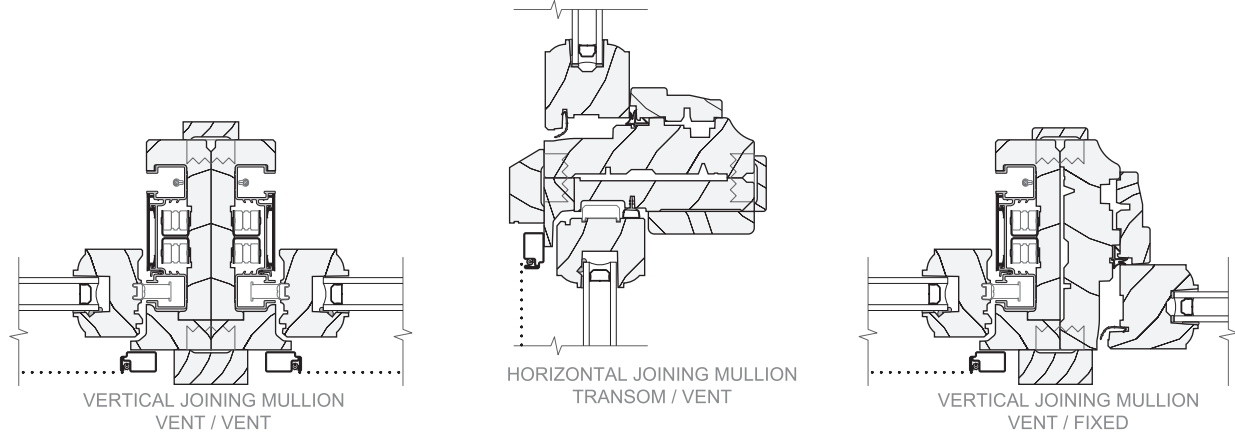
UNIT SECTIONS

Wood Exterior

LX Fixed and Transoms



TYPICAL JOINING MULLIONS



Scale 3" = 1' 0"

All dimensions are approximate.

See Installation and Performance at www.PellaADM.com for mullion limitations and reinforcing requirements.



MARINA 2410BZ
BRONZE

WIDTH:	8.3"
HEIGHT:	11.8"
WEIGHT:	3.0 LBS
MATERIAL:	ALUMINUM
GLASS:	ETCHED HOLOPHANE
BACKPLATE WIDTH:	5.0"
SOCKET:	1-100W MED
DARK SKY:	WITH DSLM-40
EXTENSION:	8.5"
TTO:	2.5"
CERTIFICATION:	C-US WET RATED
VOLTAGE:	120V
UPC:	640665241006

AT HINKLEY, WE EMBRACE THE DESIGN PHILOSOPHY THAT YOU CAN MERGE TOGETHER THE LIGHTING, FURNITURE, ART, COLORS AND ACCESSORIES YOU LOVE INTO A BEAUTIFUL ENVIRONMENT THAT DEFINES YOUR OWN PERSONAL STYLE. WE HOPE YOU WILL BE INSPIRED BY OUR COMMITMENT TO KEEP YOUR 'LIFE AGLOW.'

*life*AGLOW®



Classic-Craft® Canvas Collection® \$\$

Full Lite W/ Stile Lines | Style No. CCV10020 



(0) [Write a review](#)

1 Available Size

3'0" x 6'8"

FINISH OPTIONS

	Onyx	▼
---	-------------	---

GLASS OPTIONS

	Clear	▼
---	--------------	---

	Clear 1 Lite No Grid	▼
---	-----------------------------	---

Don't see the glass design you want?

In addition to thousands of standard glass choices, we offer additional glass options through our Special Quote Program to help you find the right look for virtually any home.

[Learn More](#) >