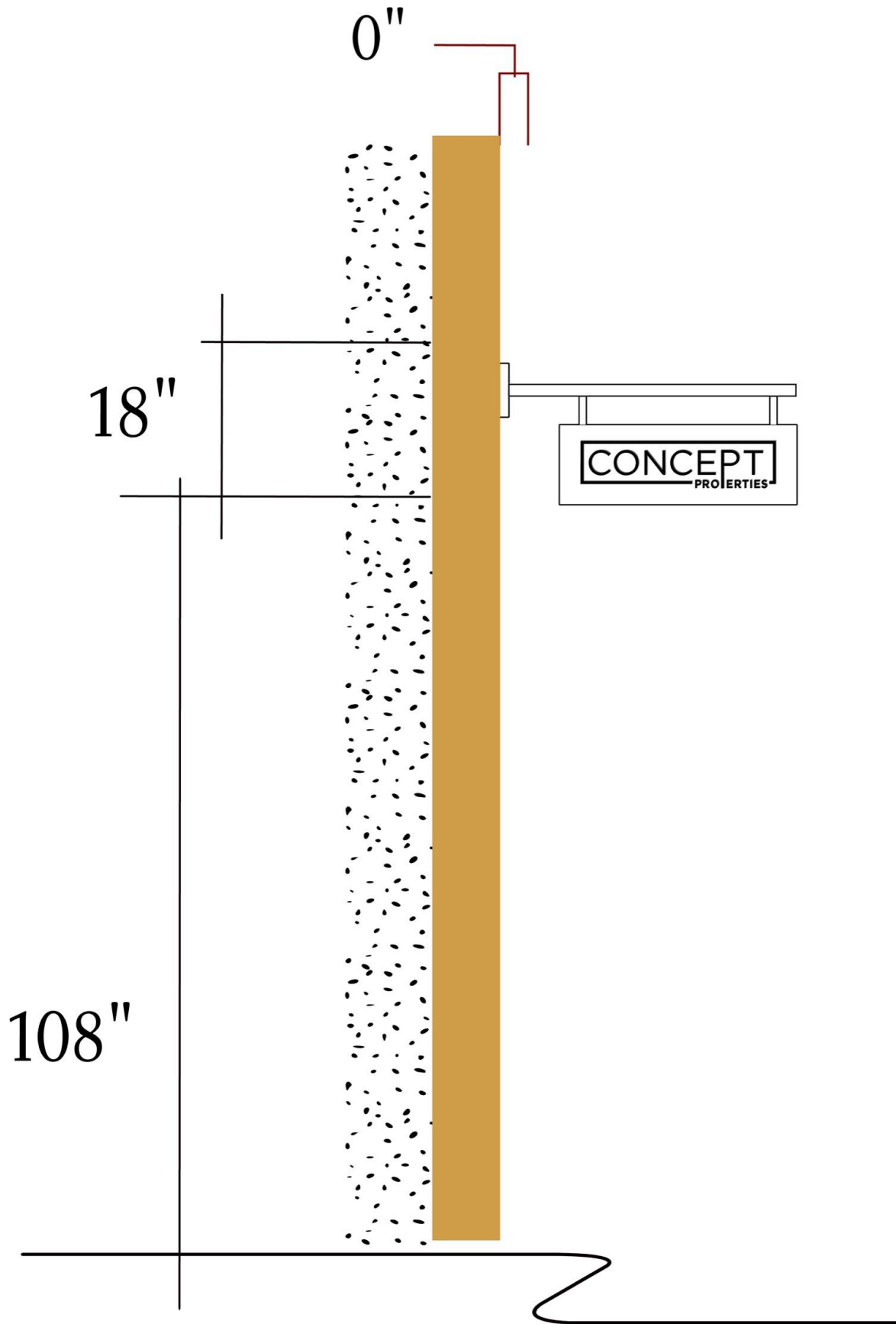


SIGN INFORMATION'S:

Sign and Sign Hanger
 will Made 1" x 2" Steel Tubing
 welded together sign face
 made of 1/8" Dybon Sign material
 Sign and Hanger Paint it white
 Letters will cuts by cnc machine
 1/2" comosel out door sign material
 painted Black
 Sign Size 12" x 36" Double Sided

CONCEPT
 PROPERTIES

Letters size 7.25" x 30"



CONCEPT
PROPERTIES

