

FORT POINT CHANNEL LANDMARK  
DISTRICT COMMISSION

SMOKE SHOP

343 Congress St  
Boston, MA 02210

(09.19.2017)

**SOUSA design**  
A r c h i t e c t s

81 Boylston Street, 2nd Floor  
Brookline, MA 02445  
617 . 879 . 9100

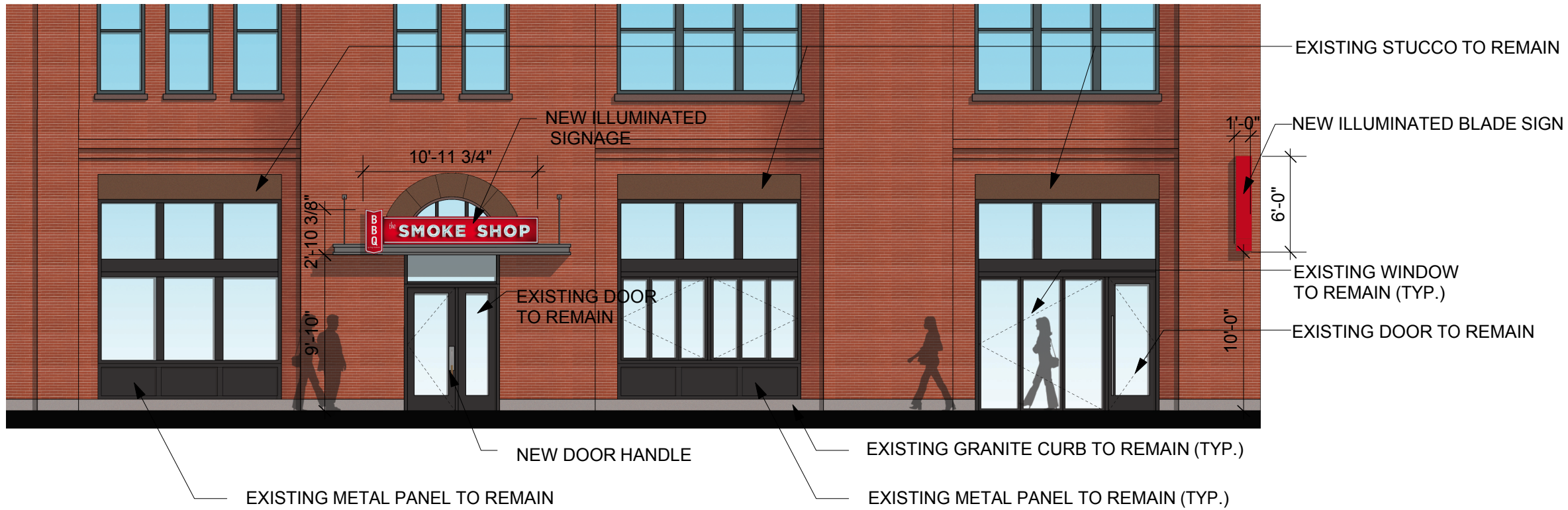
# SMOKE SHOP

343 Congress St  
Boston, MA 02210

(09.19.2017)



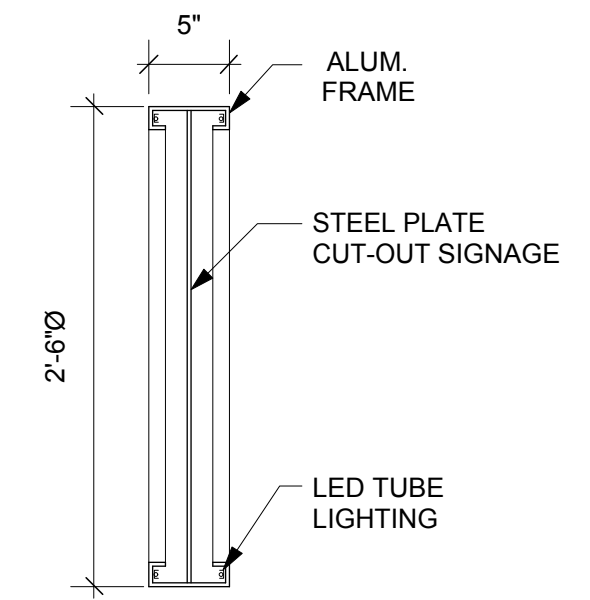
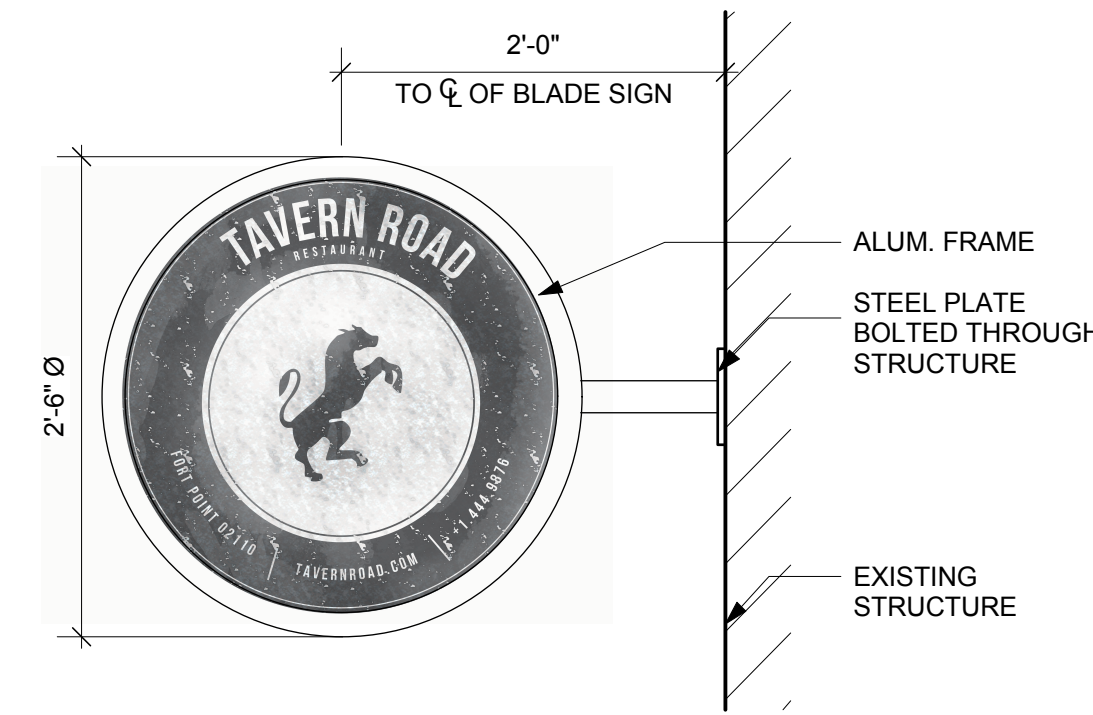
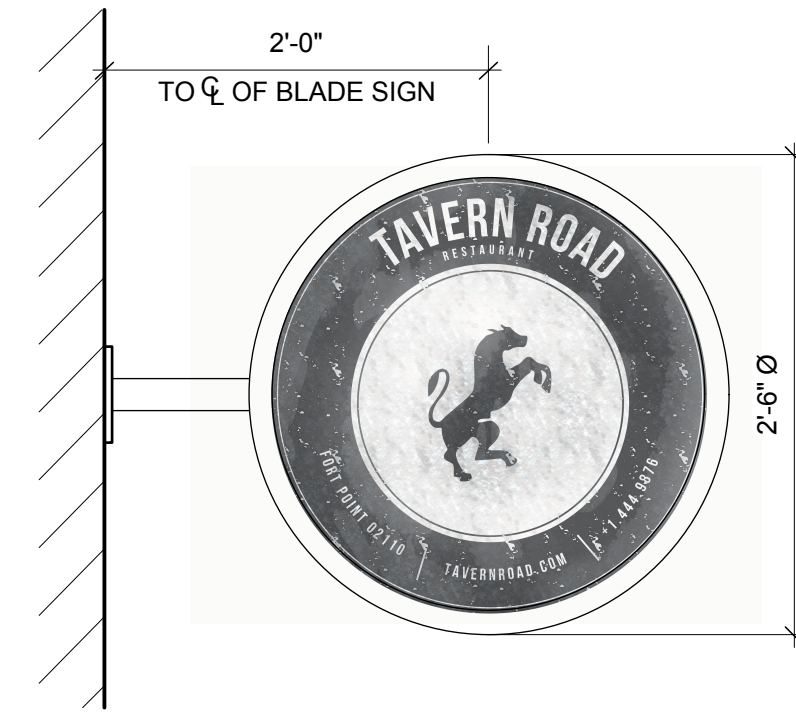
1 EXISTING STOREFRONT ELEVATION  
Scale: 1/8" = 1'-0"



2 EXTERIOR PROPOSED RENDERING  
Scale: 1/8" = 1'-0"

**SOUSA design**  
Architects

81 Boylston Street, 2nd Floor  
Brookline, MA 02445  
617 . 879 . 9100

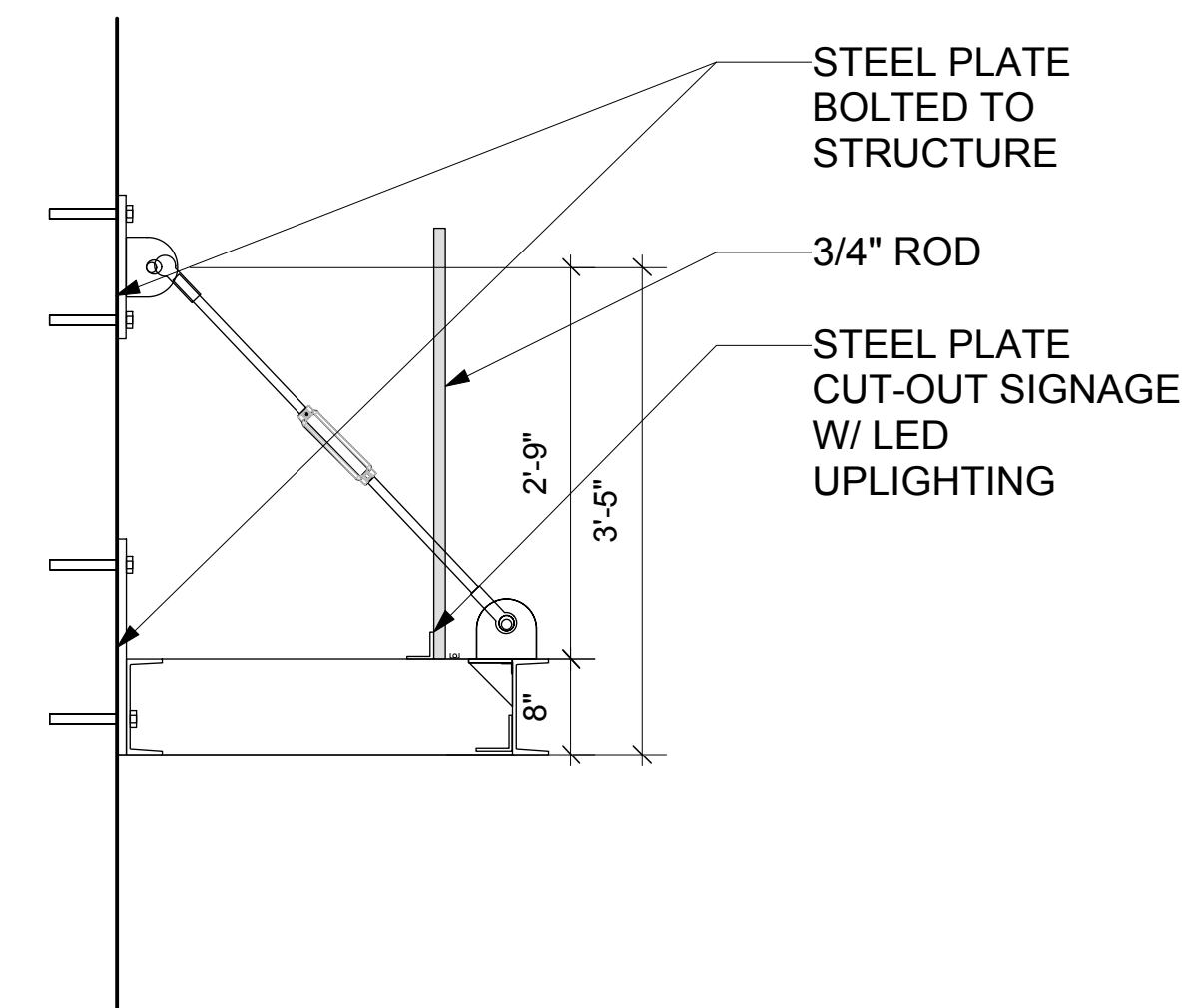


EXISTING BLADE SIGN

BACK SIDE OF EXISTING BLADE SIGN  
Scale: 1" = 1'-0"

FRONT SIDE OF EXISTING BLADE SIGN  
Scale: 1" = 1'-0"

SECTION DETAIL OF EXISTING BLADE SIGN  
Scale: 1" = 1'-0"



EXISTING CANOPY SIGNAGE

EXISTING EXTERIOR CANOPY DETAIL  
Scale: 3/4" = 1'-0"

# SMOKE SHOP

343 Congress St  
Boston, MA 02210

(09.19.2017)



EXISTING STOREFRONT ELEVATION



EXTERIOR PROPOSED RENDERING  
Scale: 3/8" = 1'-0"

EXISTING STUCCO TO REMAIN

NEW ILLUMINATED BLADE SIGN

EXISTING DOOR TO REMAIN

EXISTING WINDOW TO REMAIN

EXISTING DOOR TO REMAIN

EXISTING WINDOW TO REMAIN

EXISTING DOOR TO REMAIN

EXISTING WINDOW TO REMAIN

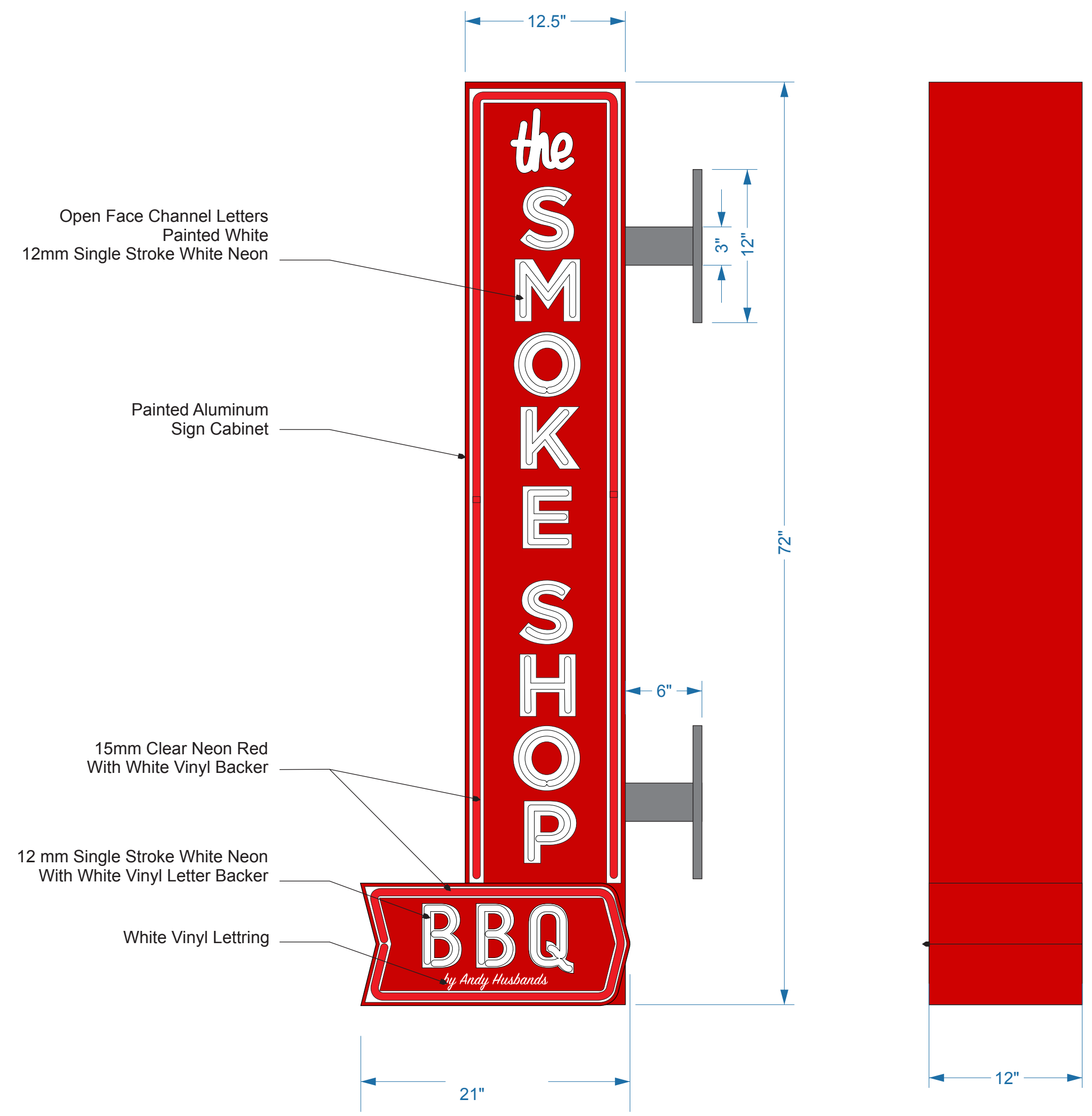
EXISTING DOOR TO REMAIN

EXISTING WINDOW TO REMAIN

EXISTING DOOR TO REMAIN

**SOUSA design**  
Architects

81 Boylston Street, 2nd Floor  
Brookline, MA 02445  
617 . 879 . 9100



Sign #1 Front Elevation

Sign #1 Side Elevation

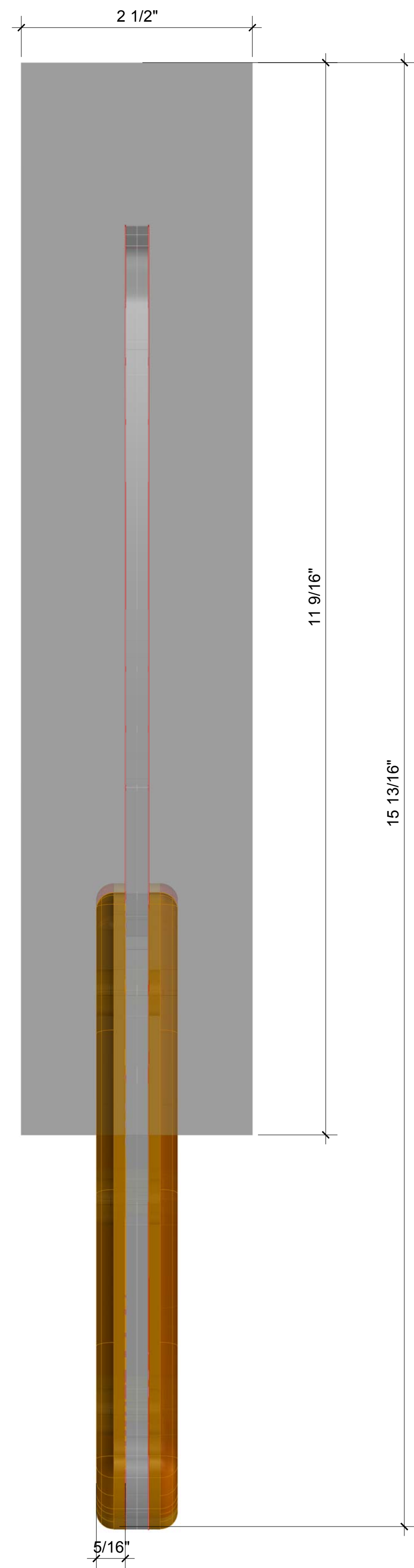
Sign #1 10.5 sq. ft



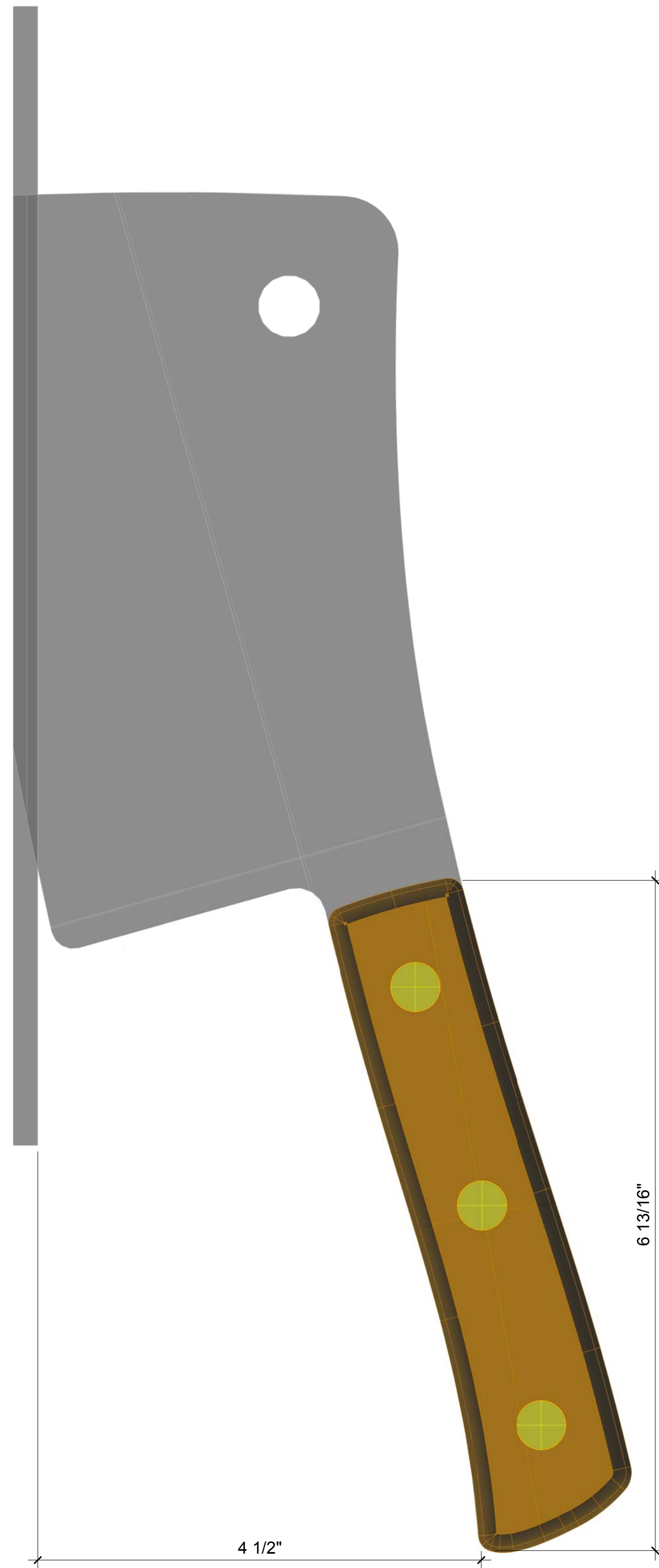
Sign #2 Front Elevation

Sign #2 31 sq. ft

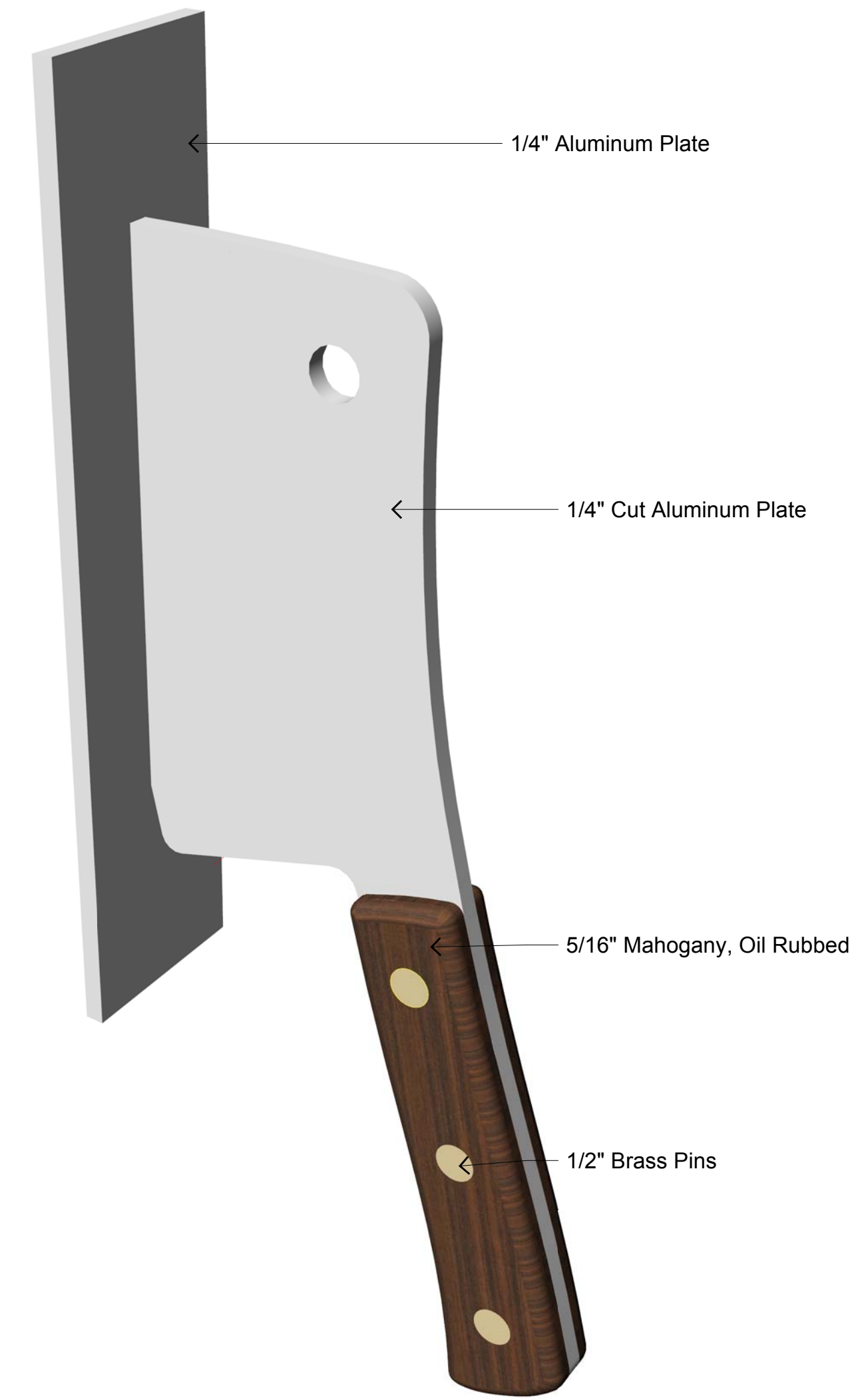




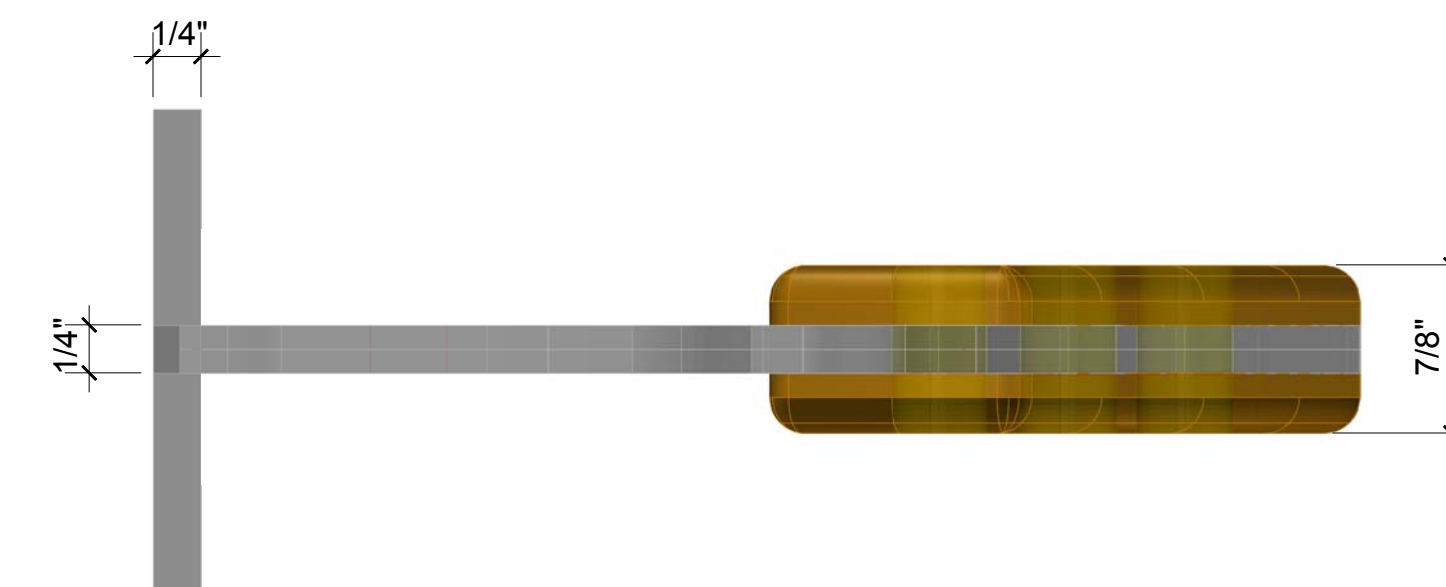
**1**  
1.0 **Front View**  
Scale: Full Size



**2**  
1.0 **Side View**  
Scale: Full Size



**3**  
1.0 **Rendering**  
Scale: N.T.S.



**4**  
1.0 **Top View**  
Scale: Full Size

REVISIONS:

PROJECT

**SMOKE SHOP**

343 Congress St.  
Boston, MA 02210

DRAWING TITLE

**Door Handle**

UL Underwriters Laboratories, Inc.  
Listed Components and Completed Sign

DATE: 09/07/17

SCALE: 6" = 1'-0"

DRAWN BY: CMS

JOB #:

DRAWING NUMBER

**1.0**