



View: Looking East from Residence Inn Parking lot Entrance



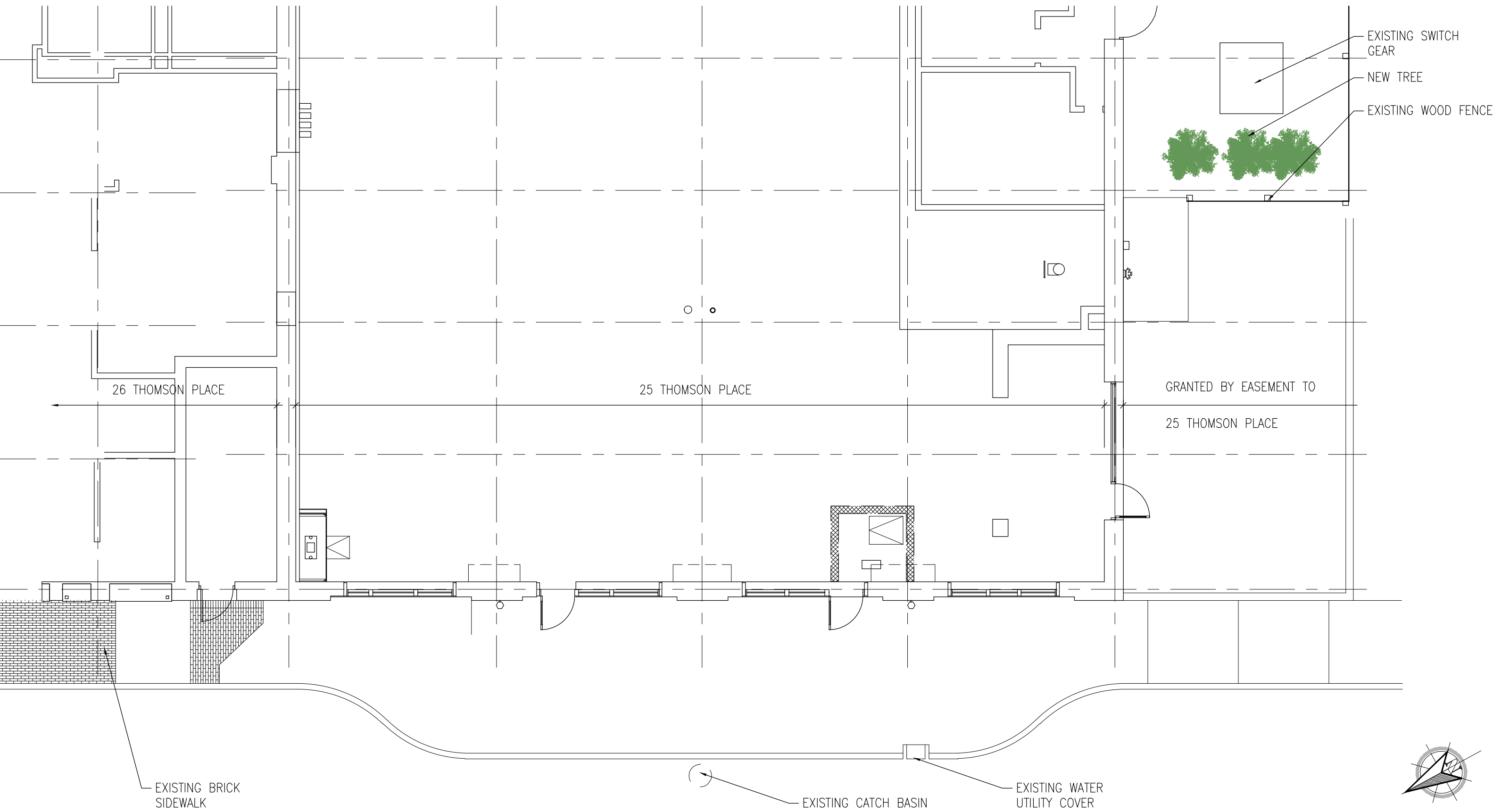
View: Looking South From Thomson Reuters Entrance



BARTACO
25 THOMSON PLACE, FORT POINT

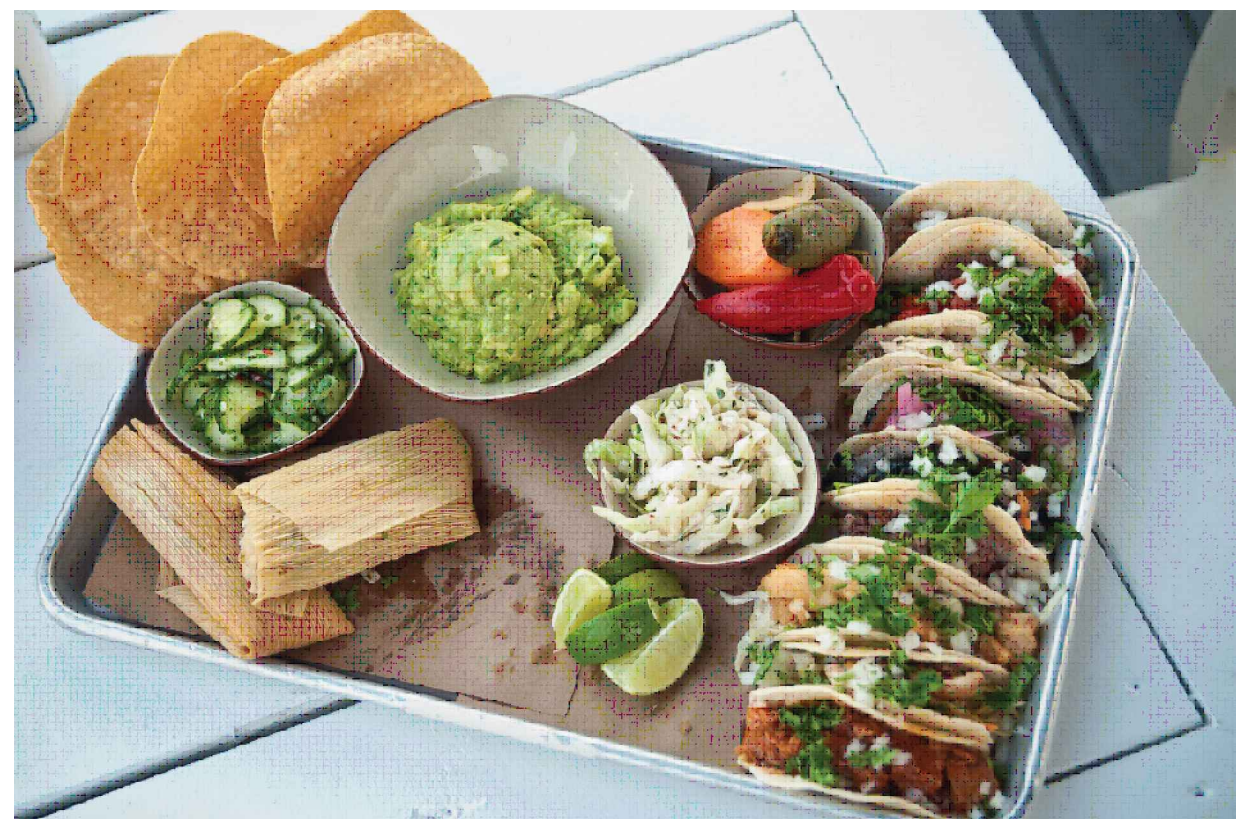


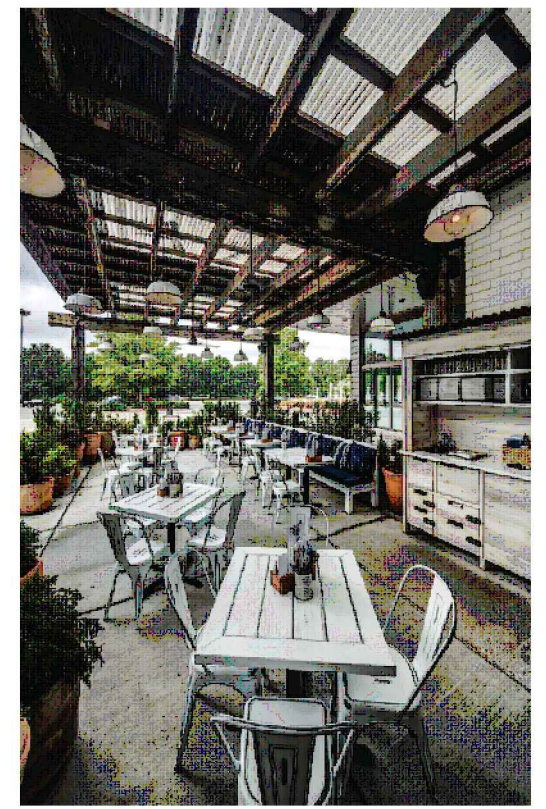
View: Looking Northeast From Thomson Place







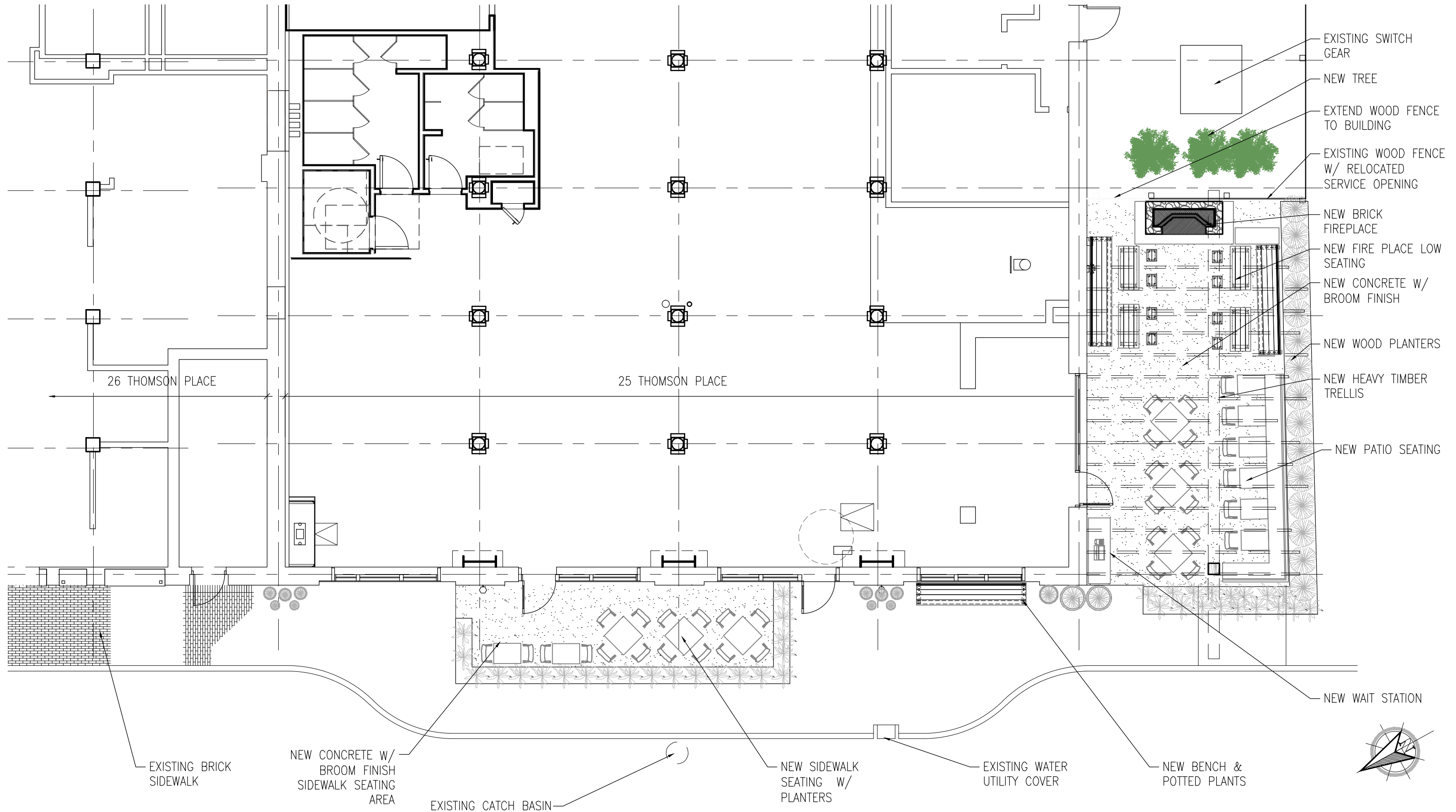
















LEVEL 4
44' - 5 1/2"

LEVEL 3
30' - 11 1/2"

LEVEL 2
11' - 5 3/4"

NEW MAKE-UP AIR UNIT

NEW EXHAUST DUCT

NEW WOOD TRELLIS

NEW HEAVY TIMBER BEAM & POLE

WOOD PAINTED SIGN

NEW PLANTERS

SEASONAL PLANTERS BEYOND

NEW BLACK METAL FLUE

NEW BRICK FIREPLACE

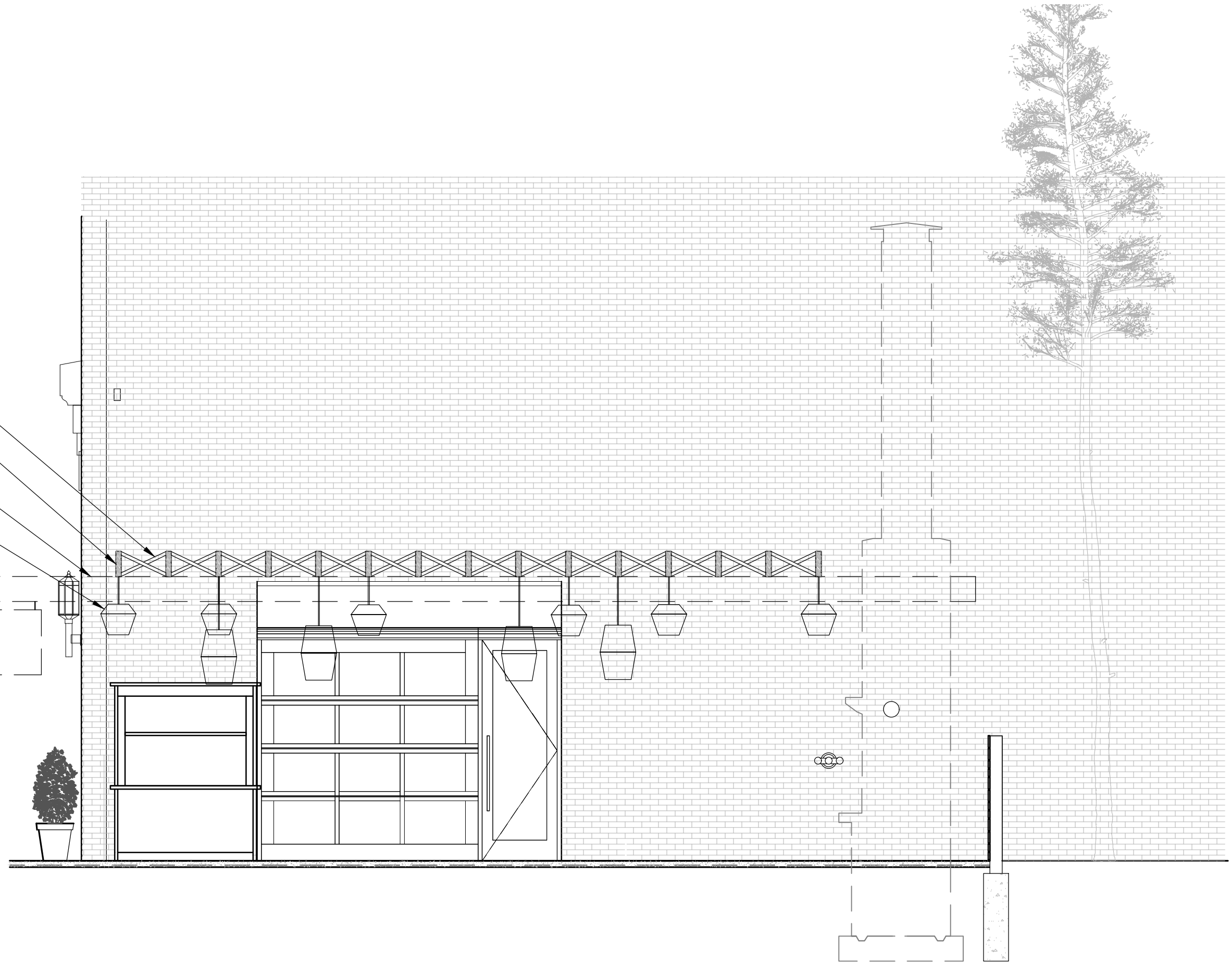
BRIDGING

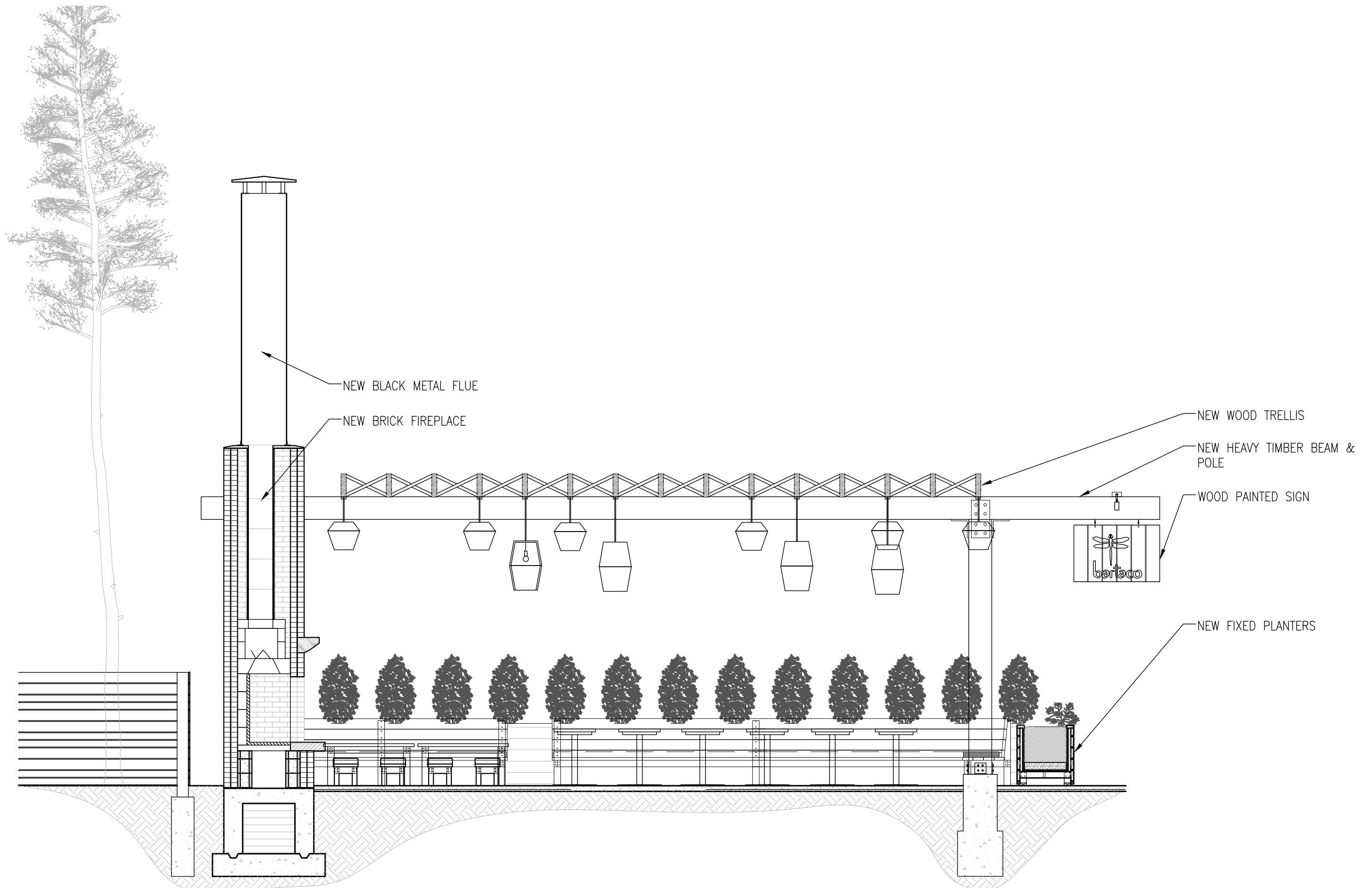
JOISTS ON CUSTOM STEEL
BRACKETS FASTENED TO EX.
BLDG

HEAVY TIMBER BEAM
BEYOND

BASKET PENDANTS HUNG
FROM UNDERSIDE OF JOISTS
RANDOM PATTERN

WOOD PAINTED SIGN
BEYOND





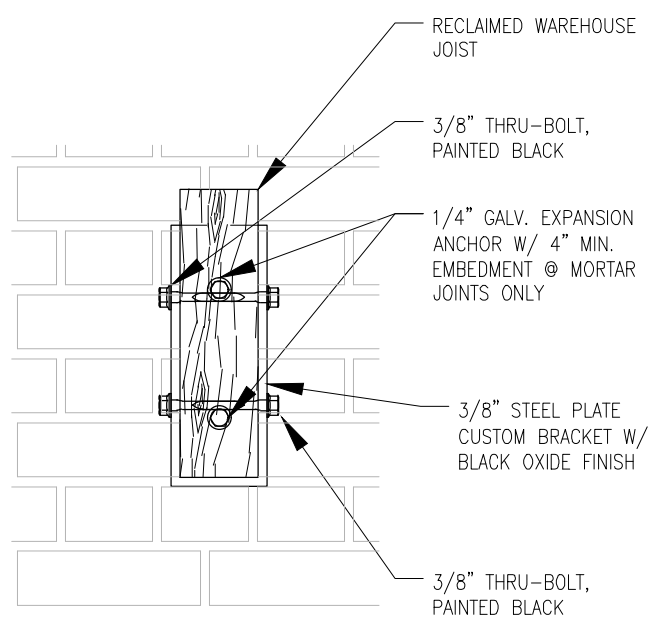
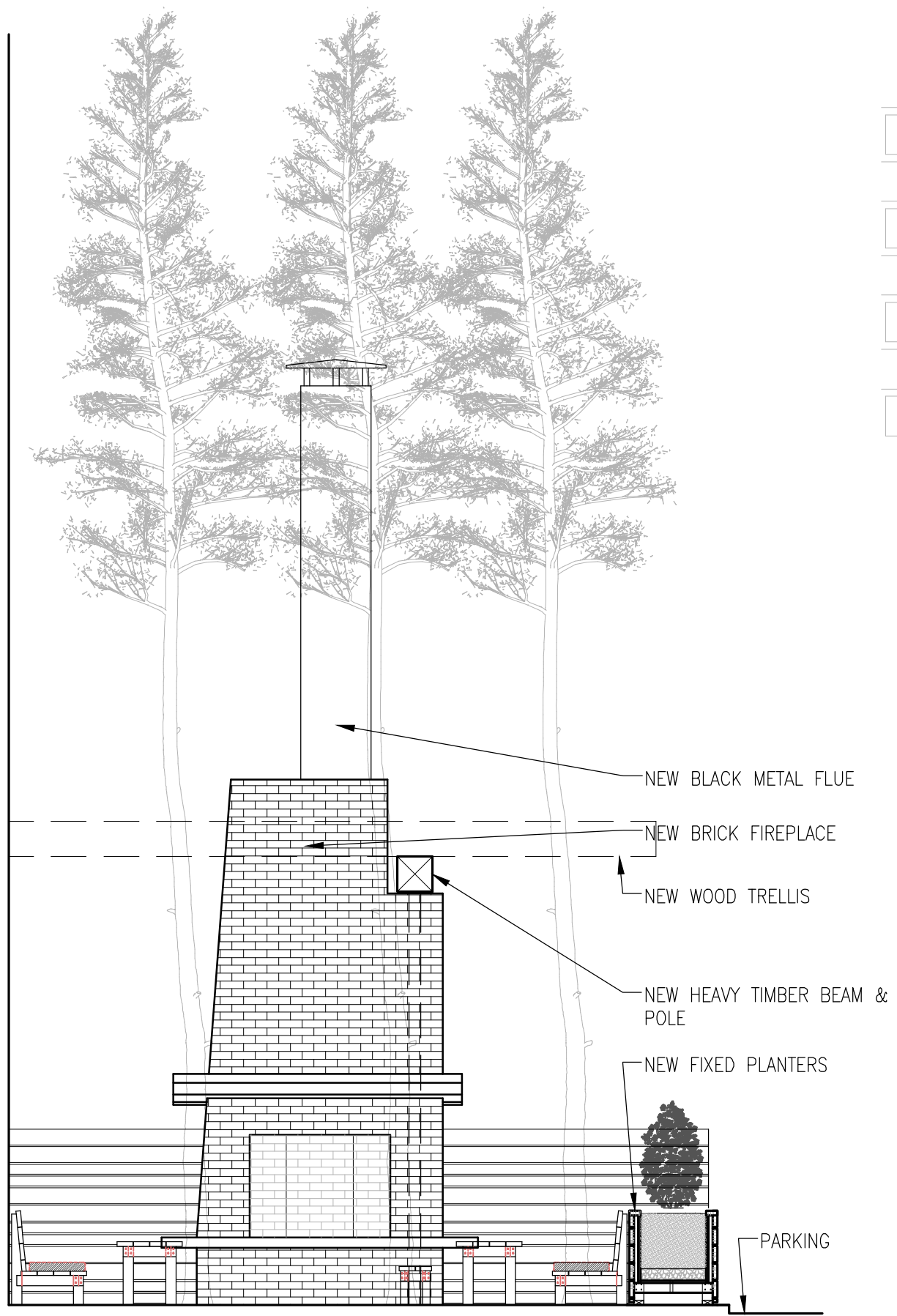
NEW BLACK METAL FLUE
 NEW BRICK FIREPLACE

NEW WOOD TRELLIS
 NEW HEAVY TIMBER BEAM & POLE
 WOOD PAINTED SIGN
 NEW FIXED PLANTERS

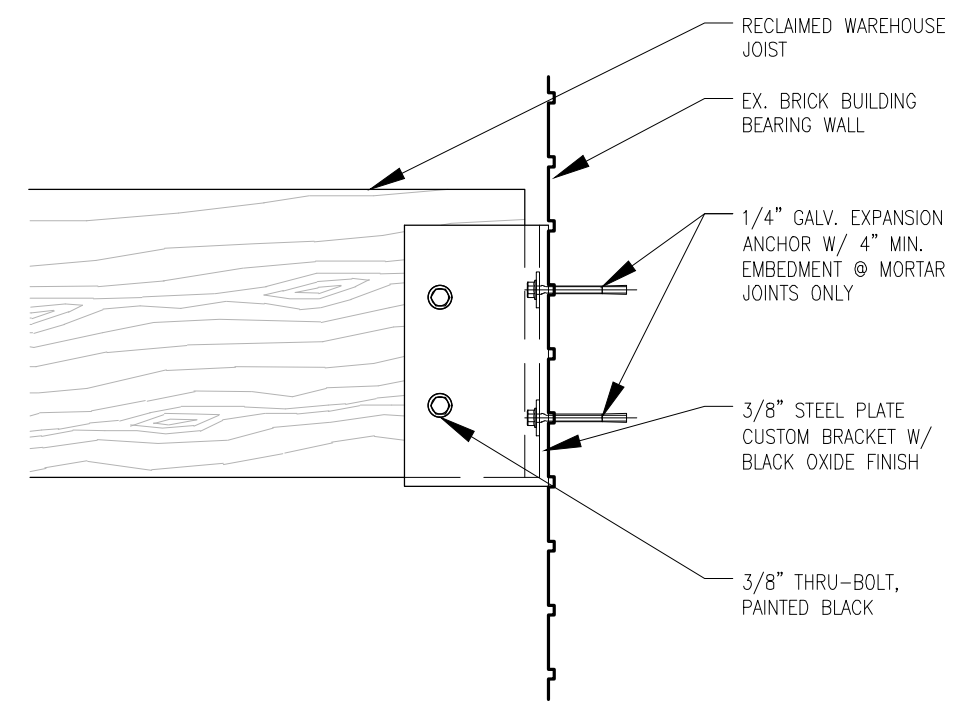
BARTACO
 25 THOMSON PLACE, FORT POINT

SCALE: 1/4" = 1'-0"

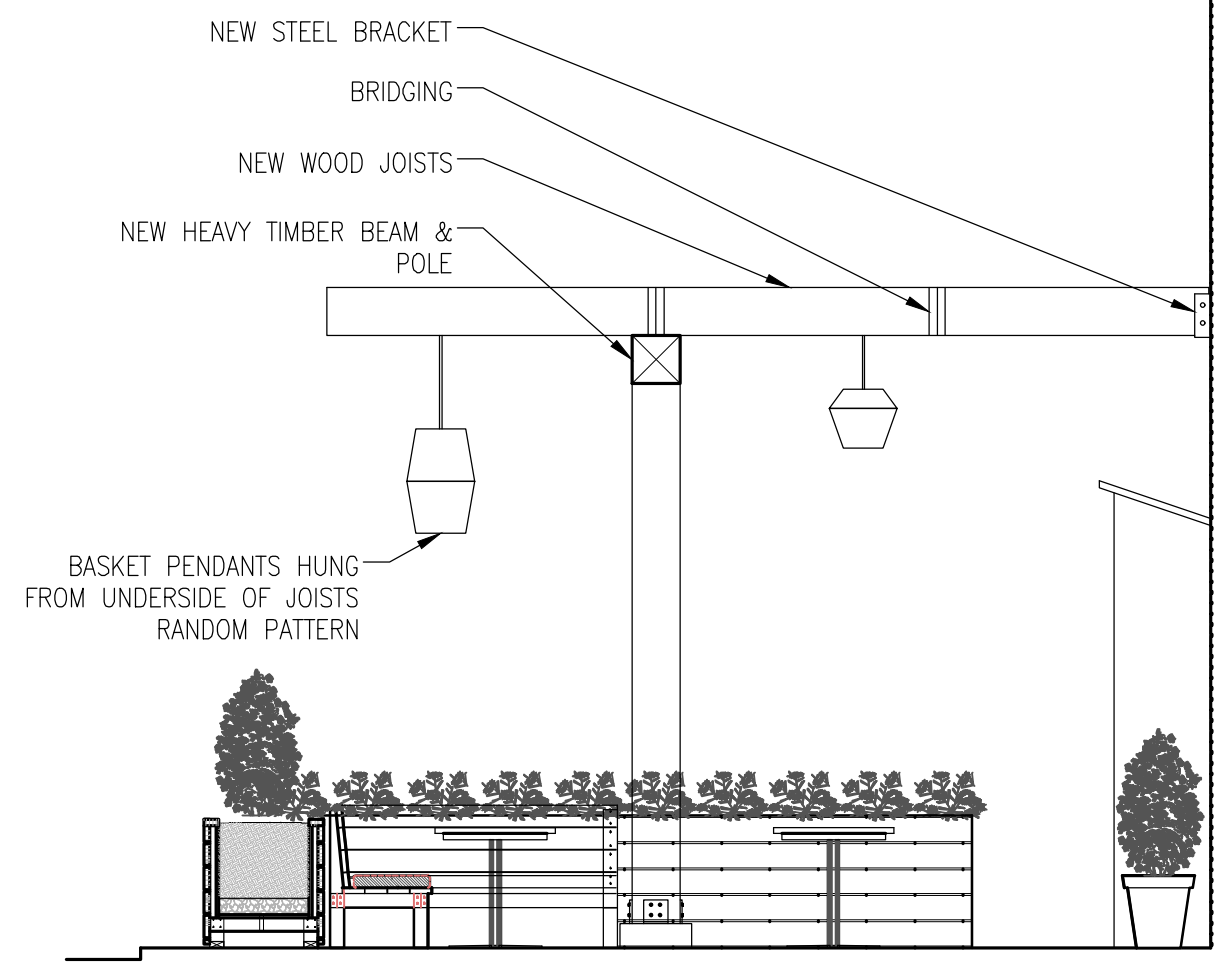
Enlarged Section @ Patio
 0' 2' 4' 8'



DETAIL @ JOIST BRACKET



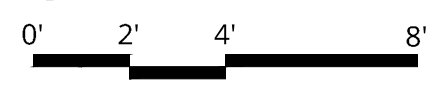
DETAIL @ JOIST BRACKET

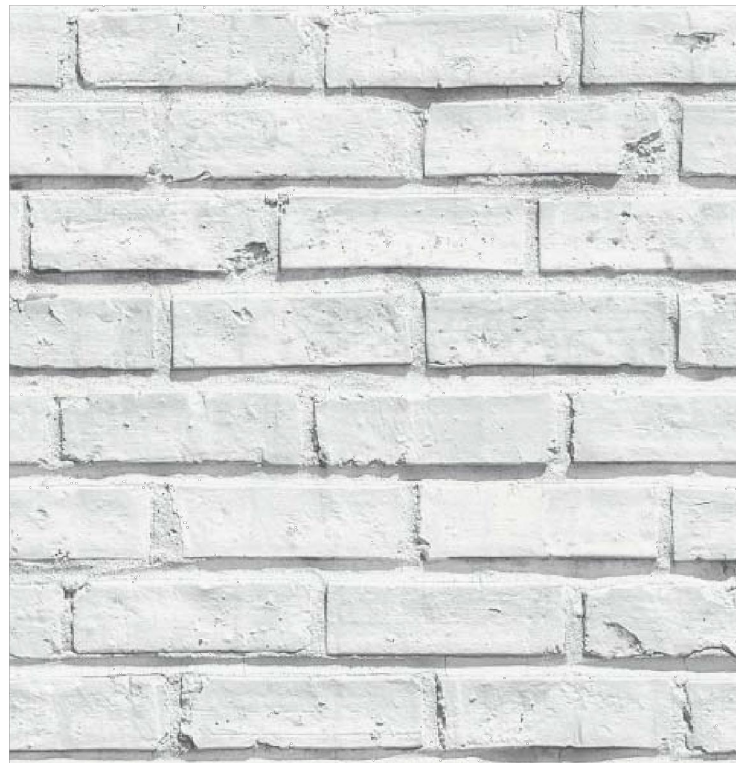


BARTACO
25 THOMSON PLACE, FORT POINT

Enlarged Section @ Patio

SCALE: 1/4" = 1'-0"





WHITE BRICK
(PAINTED BRICK W/ RAKED JOINTS)



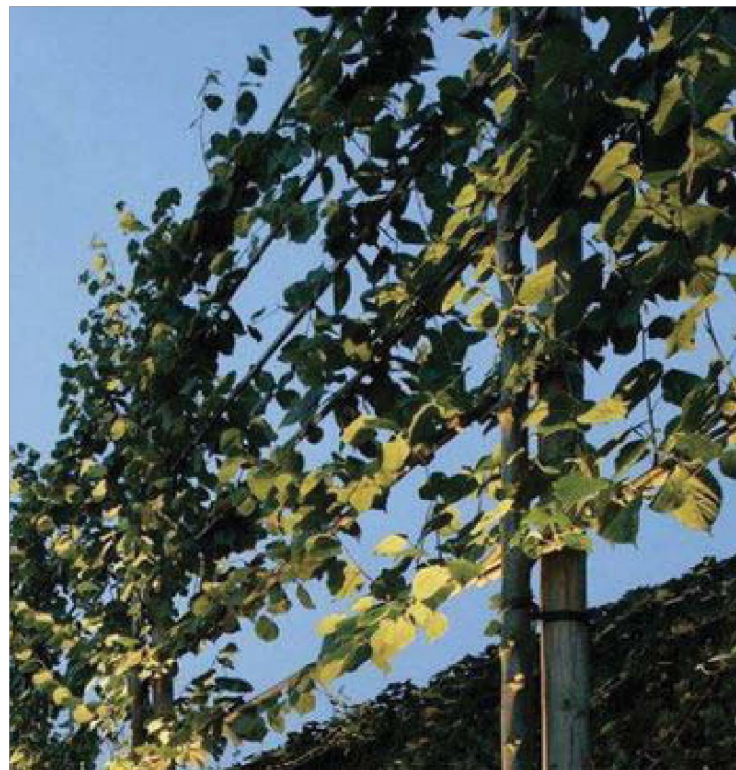
RECLAIMED WOOD
(BEAMS, TIMBERS & POSTS)



WOOD STOREFRONT AND DOORS
(JELD-WEN DOUGLAS FIR OR APPROVED EQUAL)



PAINTED WHITE WOOD
(RECLAIMED DOUGLAS FIR FOR FURNITURE AND
WAITER STATION)



CLIMBING PLANT SCREENING



LANDSCAPE--POTTED PLANTS



PATIO CUSHION FABRIC



HEAVY TIMBER BEAM

TYPE 'S' JUNCTION BOX

ADJUSTABLE LIGHT FIXTURE

EYE HOOK THROUGH FASTENED AT TOP OF SIGN & ANCHORED INTO UNDERSIDE OF TIMBER

BARTACO GRAPHIC TO BE PAINTED BARTACO BLUE. CONTRACTOR TO APPLY 1-COAT OF BENJAMIN MOORE 'FRESH START' MULTI-PURPOSE LATEX PRIMER (023) (FORMULA: MA-1X14/BK-4X21/BG-3X3)

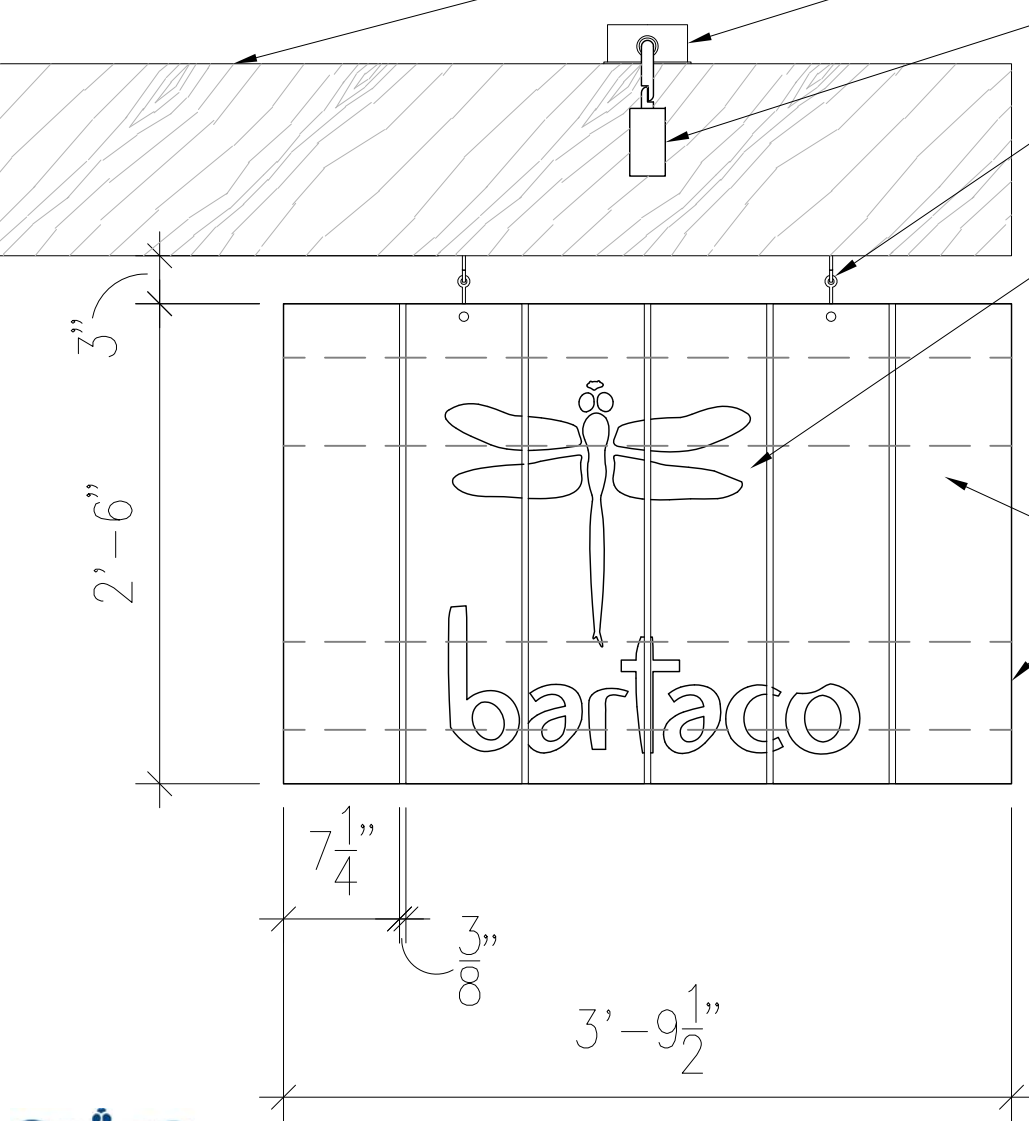
1X8 P.T. BOARDS PAINTED WHITE

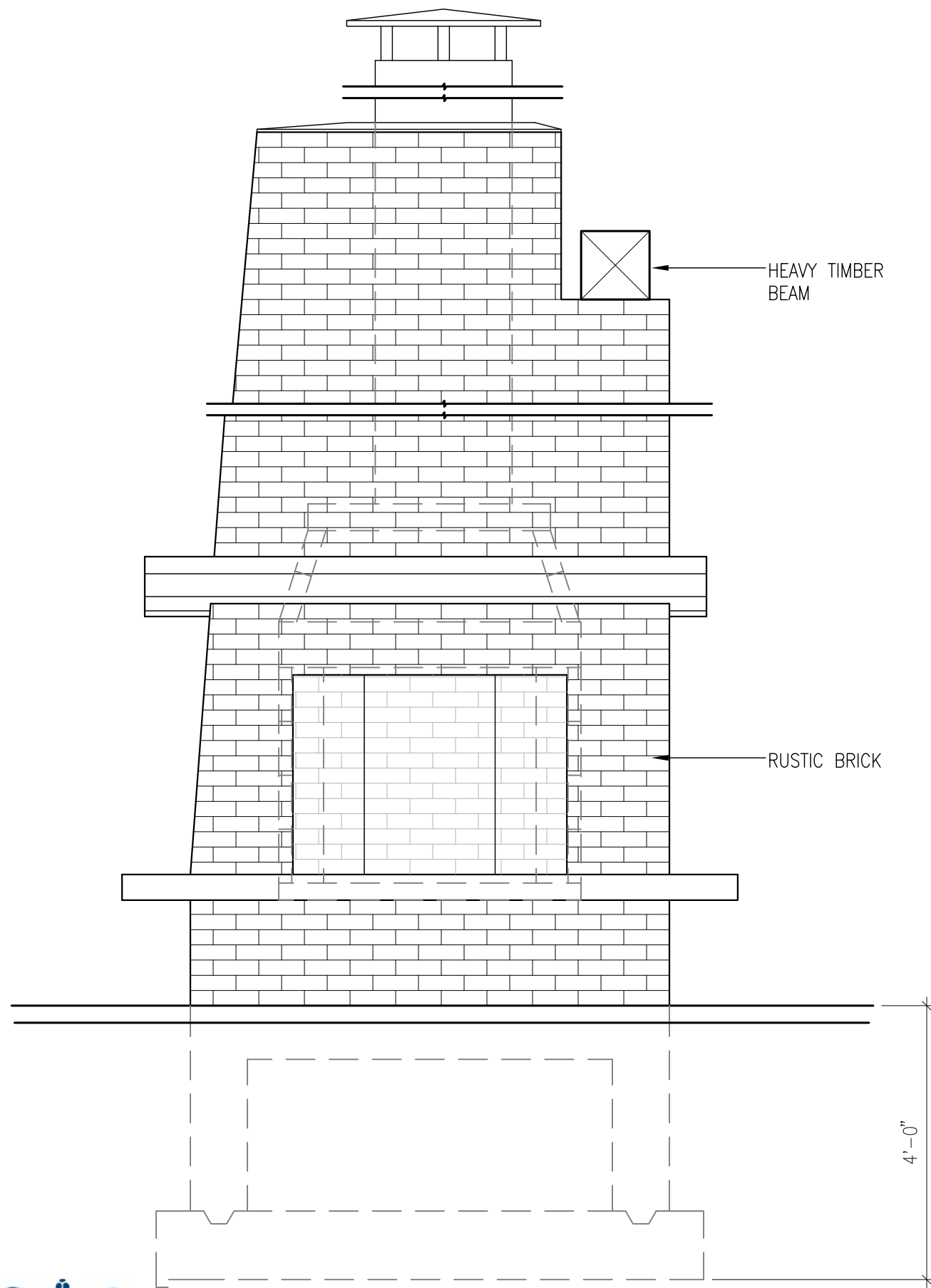
1X6 P.T. BACKING POST ANCHORED TO BASE BUILDING W/ 1/2" DIA. X 10" LG GALVANIZED METAL COUNTERSUNK EXPANSION BOLT @ EX. MASONRY GROUT JOINTS ONLY, PAINTED WHITE

HEAVY TIMBER BEAM

2'-6"

2 1/4"





RECLAIMED LOG/TIMBER,
INSET MIN. 1 BRICK WYTHE.

GRANITE PLANK, INSET MIN.
1 BRICK WYTHE.
COORDINATE FASTENING
REQUIREMENTS.

3/8" THICK
HOT ROLLED
"RAS FINISH"
STEEL FLUE PIPE

MASONRY CAP
SLOPED AWAY
FROM FLUE
(1/8" PER FT.).

GROUT SOLID
BETWEEN
STRUCTURAL
BRICK ASSEMBLY
AND CLAY FLUE

18"x13" FIRE CLAY
FLUE

EARTHCORE ISOKERN 48"
MAGNUM FIREBOX

RUSTIC BRICK W/ LIMEWASH
FINISH. BRICK SHALL BE (2)
WYTHE'S THICK FOR
STRUCTURAL BACK-UP

12" CMU BACK-UP FROM TOP OF
FOUNDATION SLAB TO UNDERSIDE
OF HEARTH/FIREBOX

GRANITE CHIP GRAVEL FILL
BEHIND FIREPLACE MATCHED
TO EX. GRAVEL

CONCRETE W/ BROOM
FINISH OVER COMPACTED
GRAVEL AND SAND

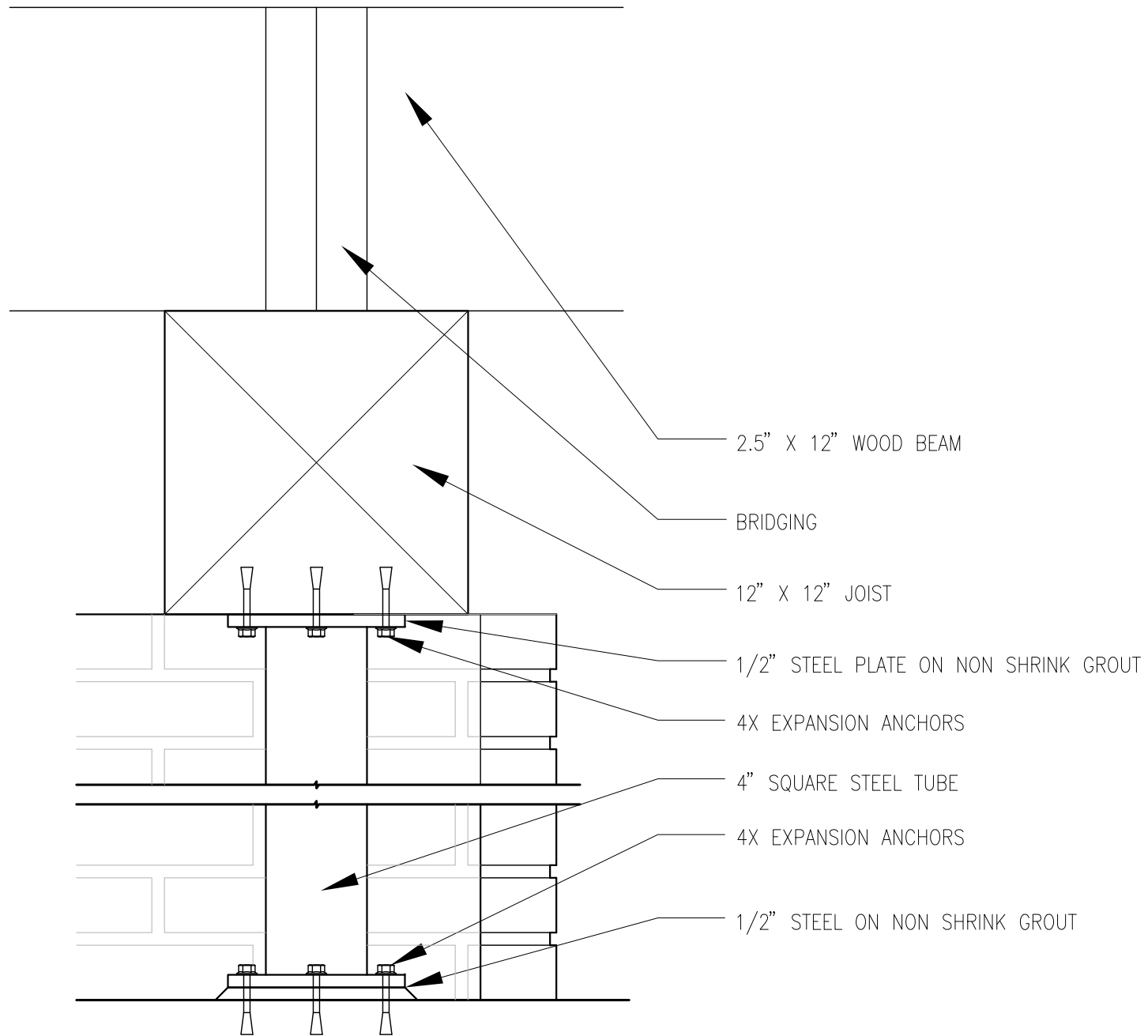
CONCRETE FOOTING
BELOW FROST LINE



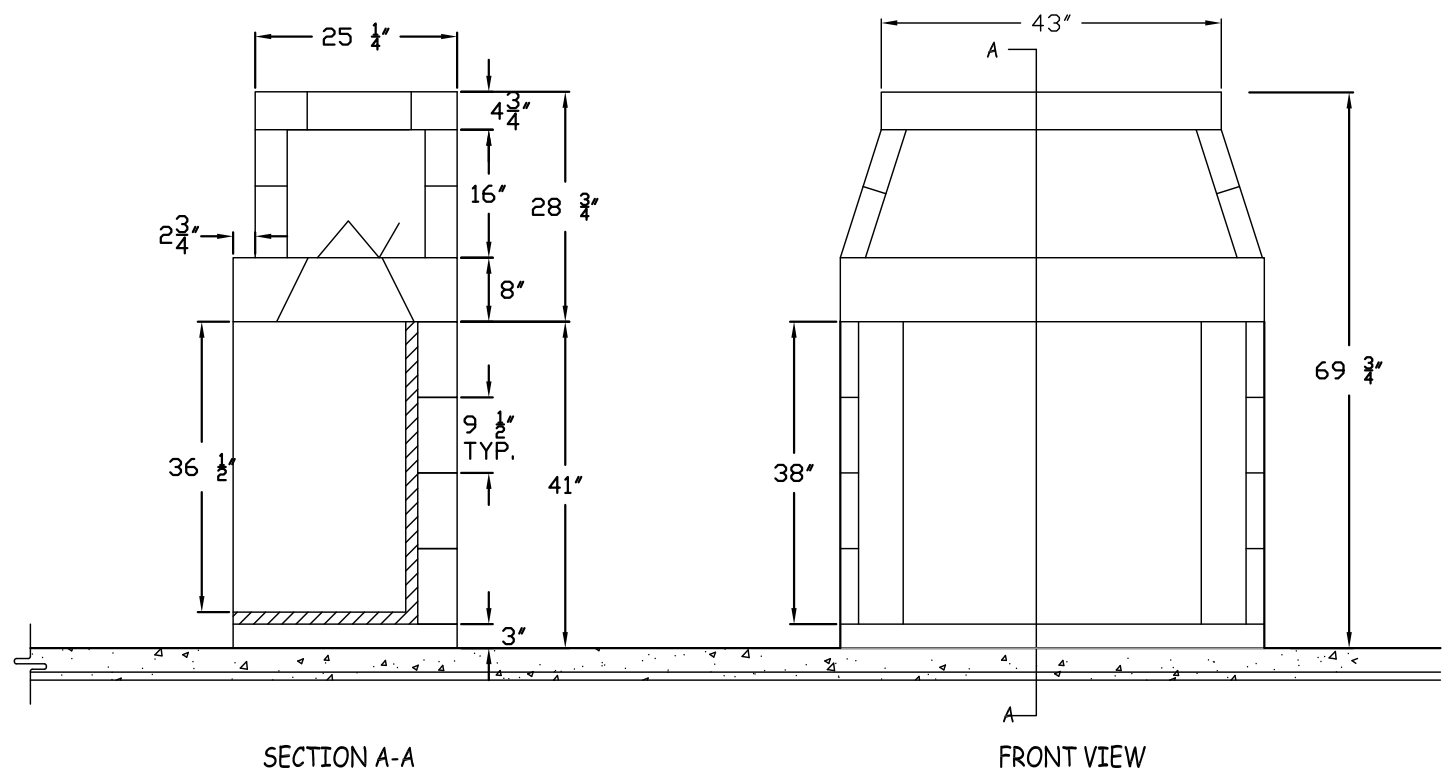
BARTACO
25 THOMSON PLACE, FORT POINT

SCALE: 1/2" = 1'-0"

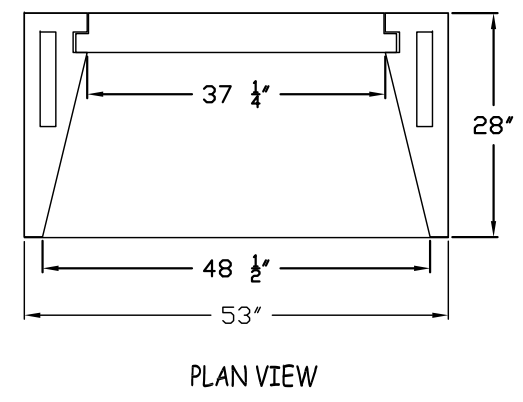


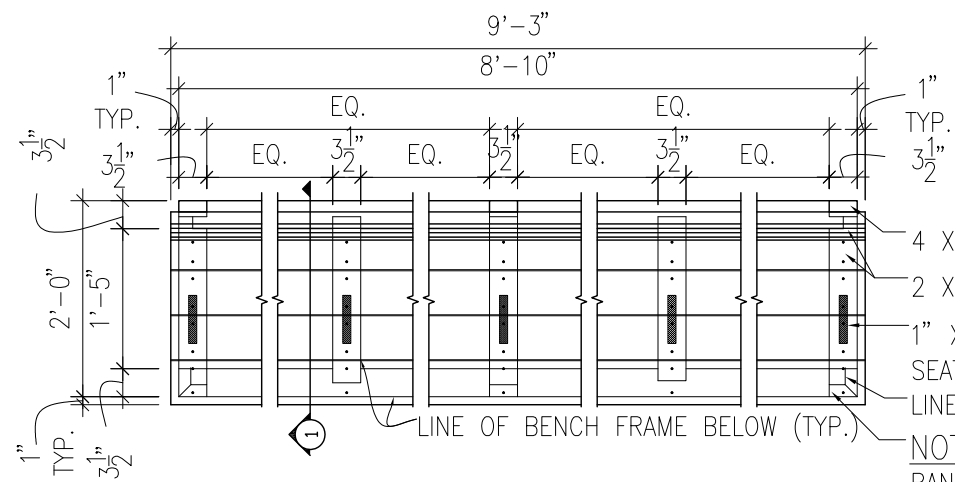


STRUCTURAL COLUMN IN FIREPLACE
SCALE: 1" = 6"



PLAN, SECTION and ELEVATION of
ISOKERN 48 FIREPLACE

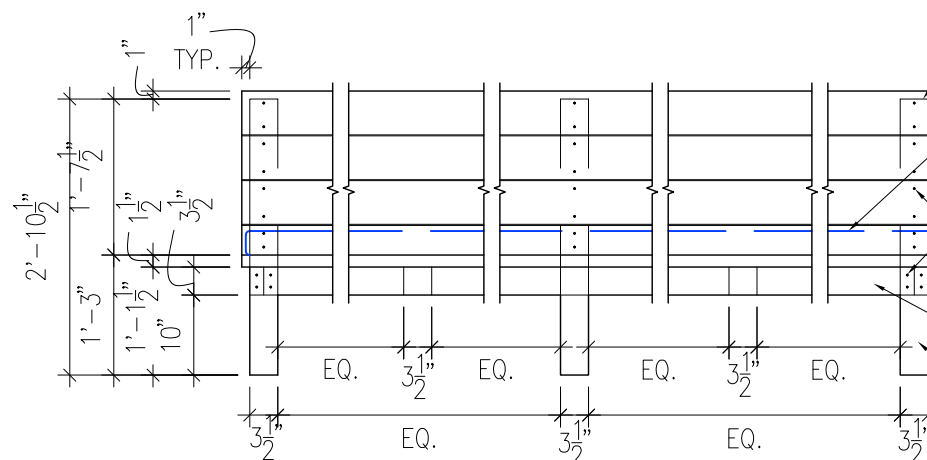




BANQUETTE PLAN

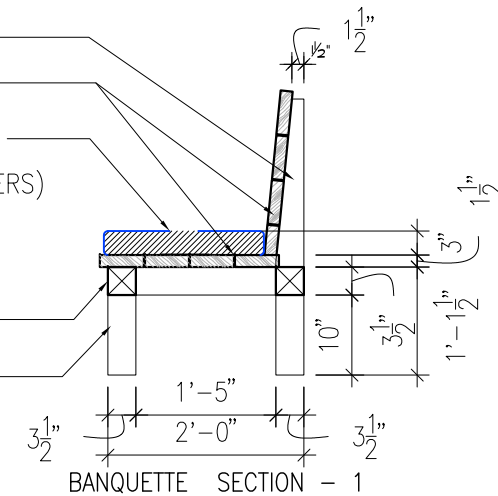
- 4 X 4 BANQUETTE BACK POST (TYP.)
- 2 X 6 BANQUETTE SEAT & BACKREST (TYP.)
- 1" X 6" 'BLACK' VELCRO SECURED TO BANQUETTE SEAT W/ (1) HEAVY DUTY STAPLE @ EA. CORNER
- LINE OF BANQUETTE LEG BELOW (TYP.)

NOTE:
BANQUETTE LEG TO BE NOTCHED TO ACCEPT BANQUETTE FRAME.
MITER CORNERS OF BANQUETTE FRAME (TYP.)

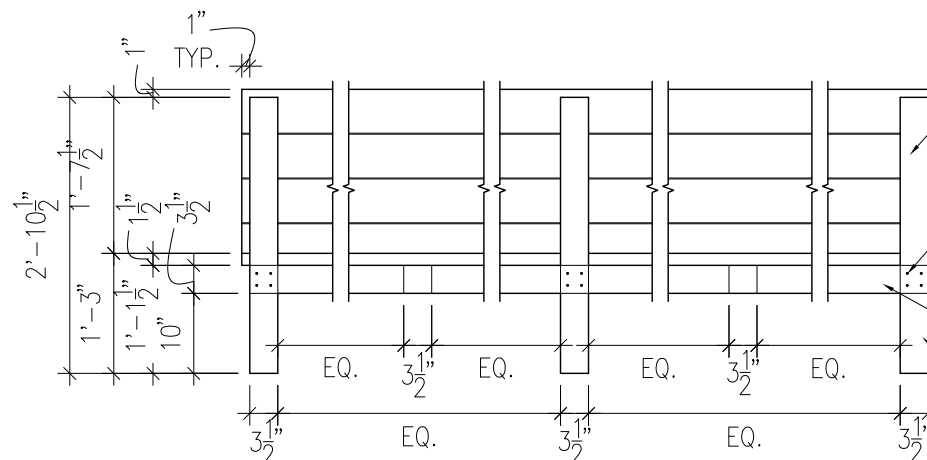


BANQUETTE FRONT ELEVATION

- 4 X 4 BANQUETTE BACK POST (TYP.)
- 2 X 6 BANQUETTE SEAT & BACKREST (TYP.)
- 19" X 106" X 3" FABRIC CUSHION W/ 1" X 6" 'BLACK' VELCRO SEWN TO U/S TO ACCEPT VELCRO ON BANQUETTE SEAT (BY OTHERS)
- (4) HOT DIPPED GALVANIZED ST'L. WOOD SCREWS, PHILLIPS FLAT HEAD, #10 X 2" TO BE PAINTED (TYP.)
- 4 X 4 BANQUETTE FRAME (TYP.)
- 4 X 4 BANQUETTE LEG (TYP.)

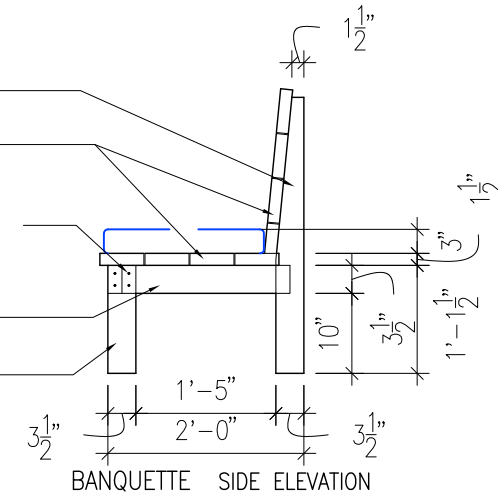


BANQUETTE SECTION - 1



BANQUETTE REAR ELEVATION

- 4 X 4 BANQUETTE BACK POST (TYP.)
- 2 X 6 BANQUETTE SEAT & BACKREST (TYP.)
- (4) HOT DIPPED GALVANIZED ST'L. WOOD SCREWS, PHILLIPS FLAT HEAD, #10 X 2" TO BE PAINTED (TYP.)
- 4 X 4 BANQUETTE FRAME (TYP.)
- 4 X 4 BANQUETTE LEG (TYP.)



BANQUETTE SIDE ELEVATION

AC PACIFIC ARMLESS STACKABLE BISTRTO SIDE CHAIR, POWDER COATED WHITE



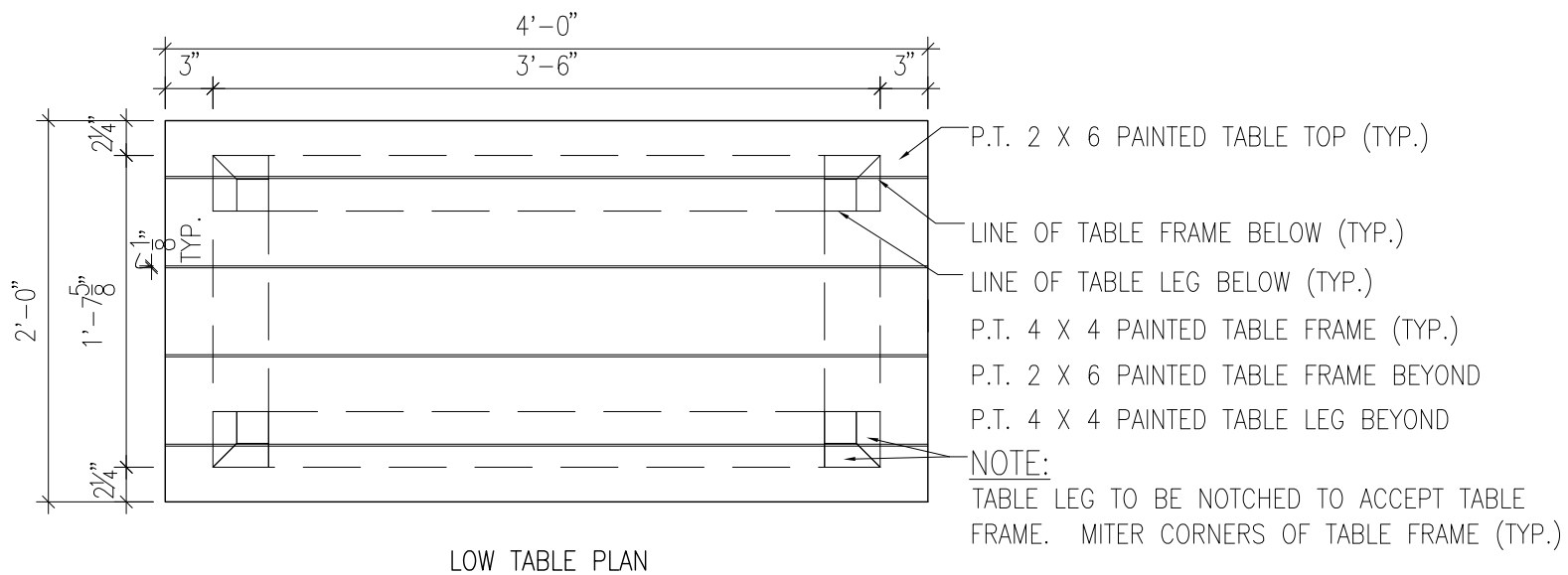
BISTRO CHAIR IMAGE N.T.S.

BARTACO
25 THOMSON PLACE, FORT POINT

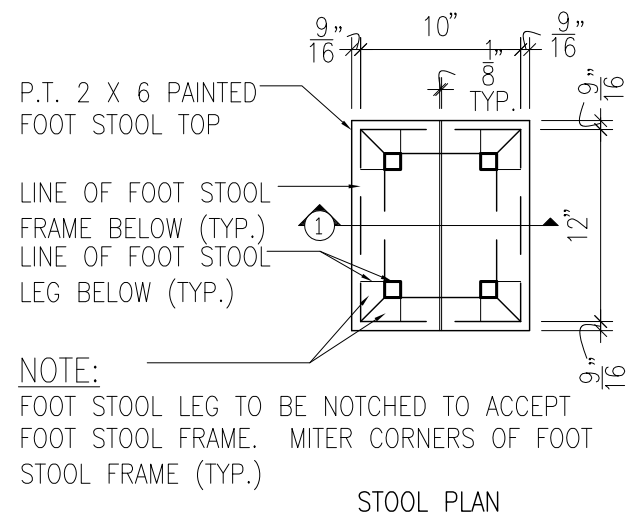
SCALE: 1/2" = 1'-0"



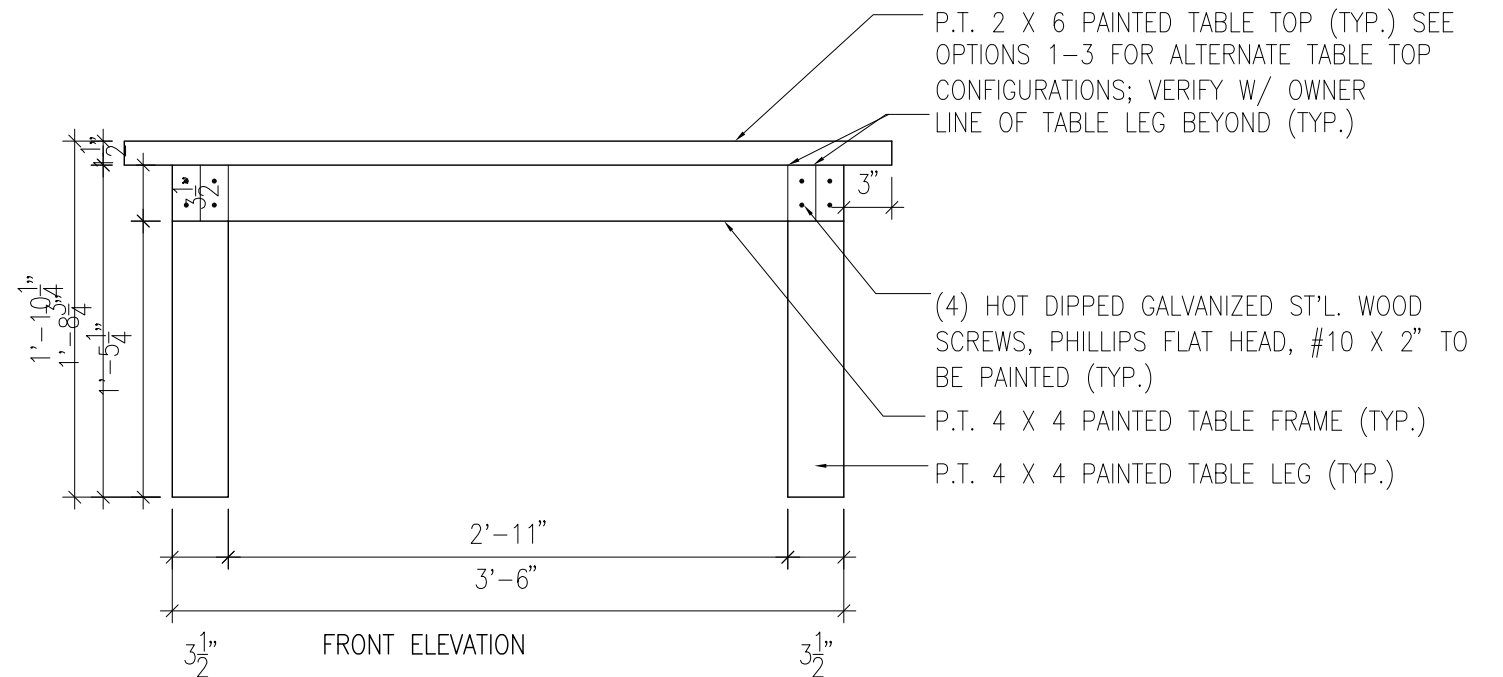
Furniture Details



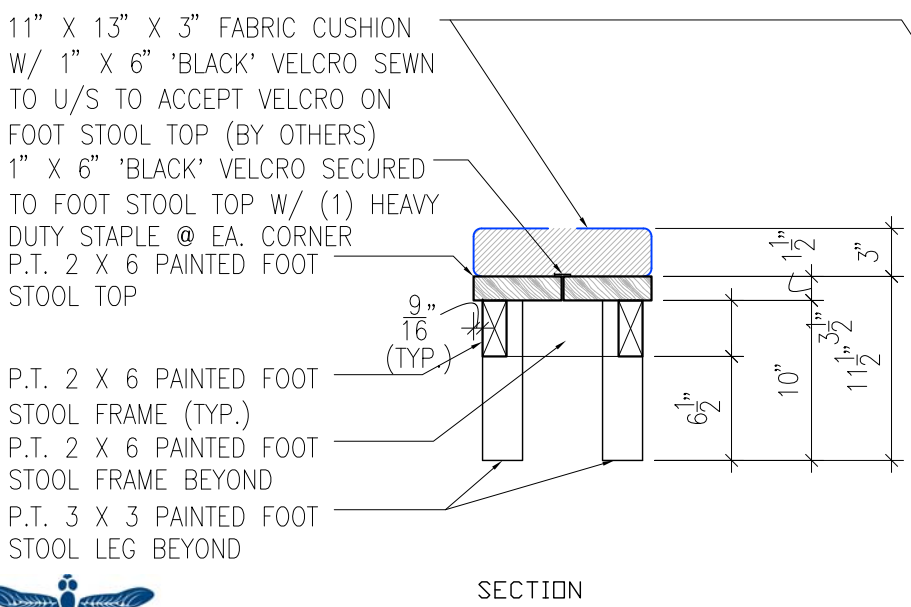
LOW TABLE PLAN



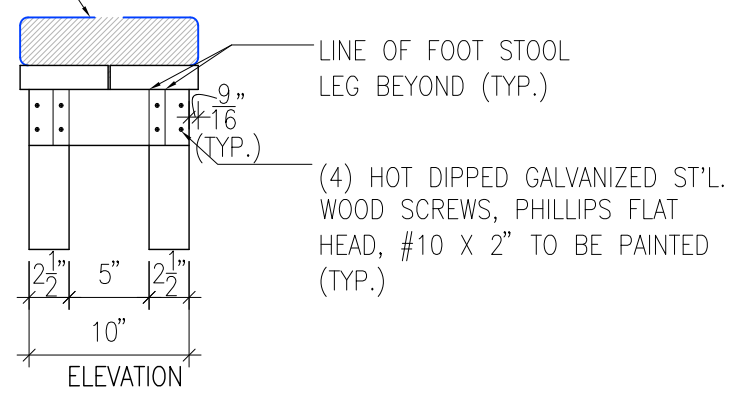
STOOL PLAN



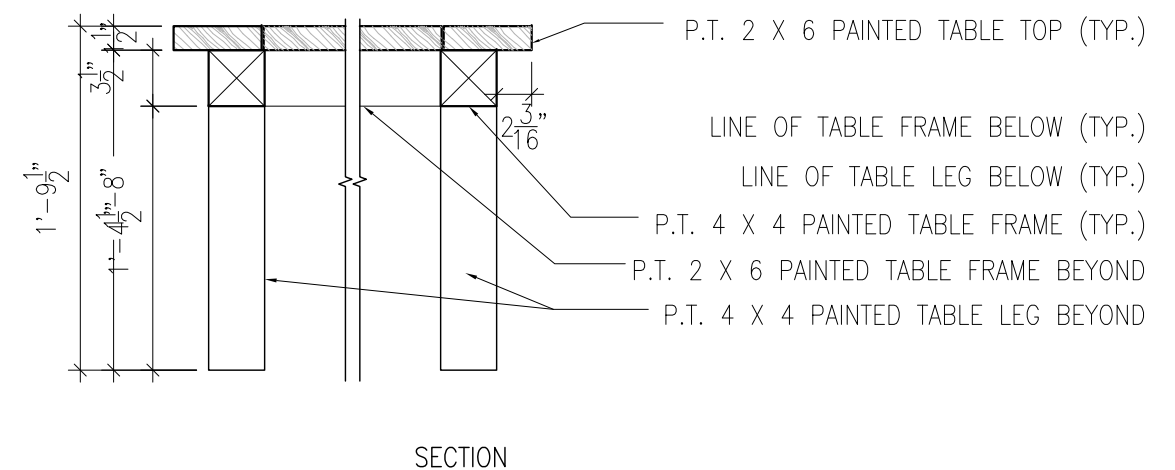
FRONT ELEVATION



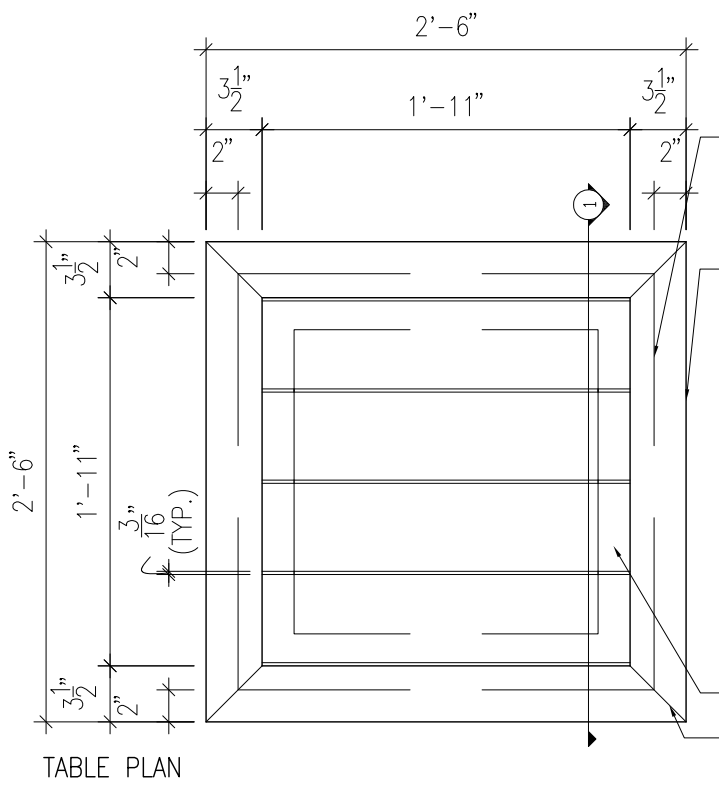
SECTION



ELEVATION



SECTION



LINE OF 2 X 4 TABLE TOP FRAME BELOW. CONTRACTOR TO PAINT ENTIRE FRAME WHITE (TYP.)

2 X 4 FINISHED FASCIA BRD. (TYP.)

CONTRACTOR TO PAINT U/S OF TABLE. COLOR TO BE WHITE (TYP.)

STOCK TABLE BASE TO BE:

- 3" DIA., 16 GA. STEEL TUBE
- 22" DIA. 3 PRONG BASE
- 9" CAST IRON MOUNTING PLATE
- BLACK POWDER COATED FINISH

2 X 6 FINISHED TABLE TOP BRD. (TYP.)

MITER ALL CORNERS (TYP.)

TABLE PLAN

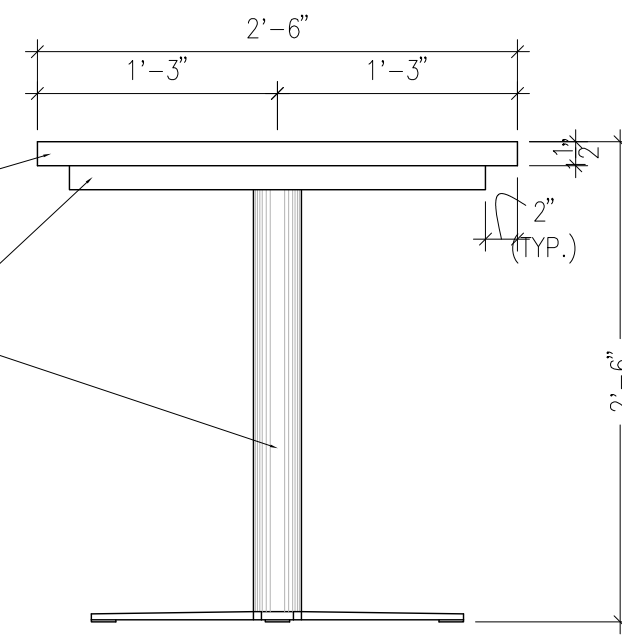


TABLE ELEVATION



NOTE:

2 X 6 TABLE TOP BRD. TO BE SECURED TO 2 X 4 TABLE FRAME BELOW WITH (4) 4D FINISH NAILS EQUALLY SPACED 'TOE-NAILED TO SIDE OF EA. BRD. & GLUED

2 X 4 FINISHED FASCIA BRD. SECURED TO 2 X 6 TABLE TOP BRDS & TABLE FRAME BELOW WITH (2) ROWS OF GLUE & 4D FINISH NAILS EQUALLY SPACED (TYP.)

2 X 4 TABLE FRAME. CONTRACTOR TO PAINT ENTIRE FRAME WHITE PRIOR TO INSTALLATION (TYP.)

CONTRACTOR TO PAINT U/S OF TABLE. COLOR TO BE WHITE (TYP.)

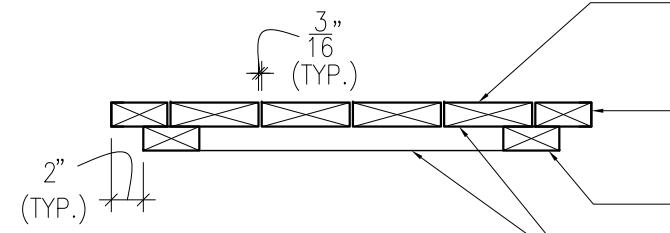


TABLE SECTION-1

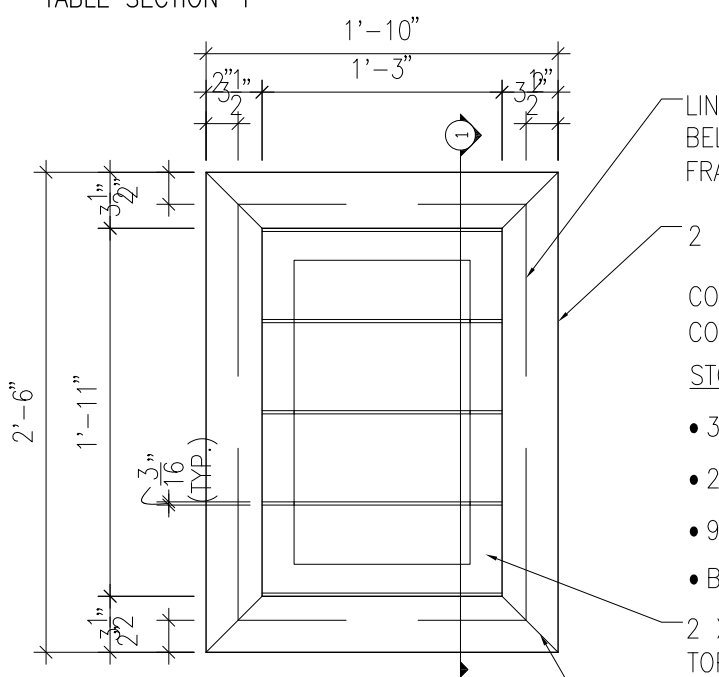


TABLE PLAN

LINE OF 2 X 4 TABLE TOP FRAME BELOW. CONTRACTOR TO PAINT ENTIRE FRAME WHITE (TYP.)

2 X 4 FINISHED FASCIA BRD. (TYP.)

CONTRACTOR TO PAINT U/S OF TABLE. COLOR TO BE WHITE (TYP.)

STOCK TABLE BASE TO BE:

- 3" DIA., 16 GA. STEEL TUBE
- 22" DIA. 3 PRONG BASE
- 9" CAST IRON MOUNTING PLATE
- BLACK POWDER COATED FINISH

2 X 6 FINISHED TABLE TOP BRD. (TYP.)

MITER ALL CORNERS (TYP.)

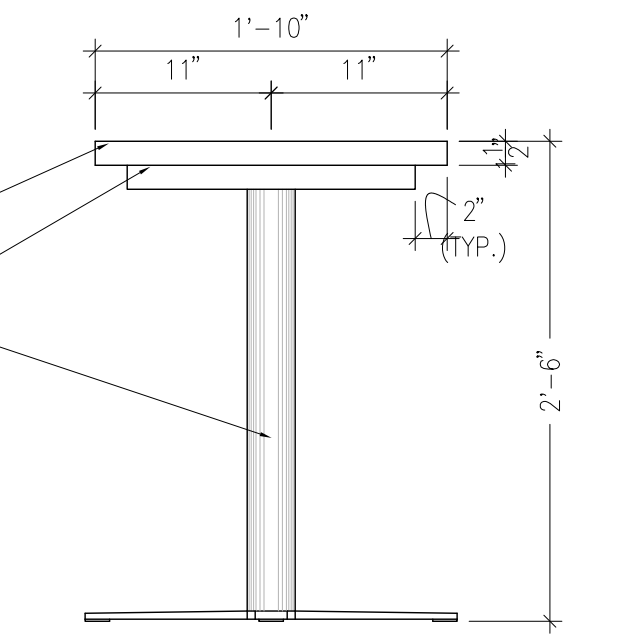
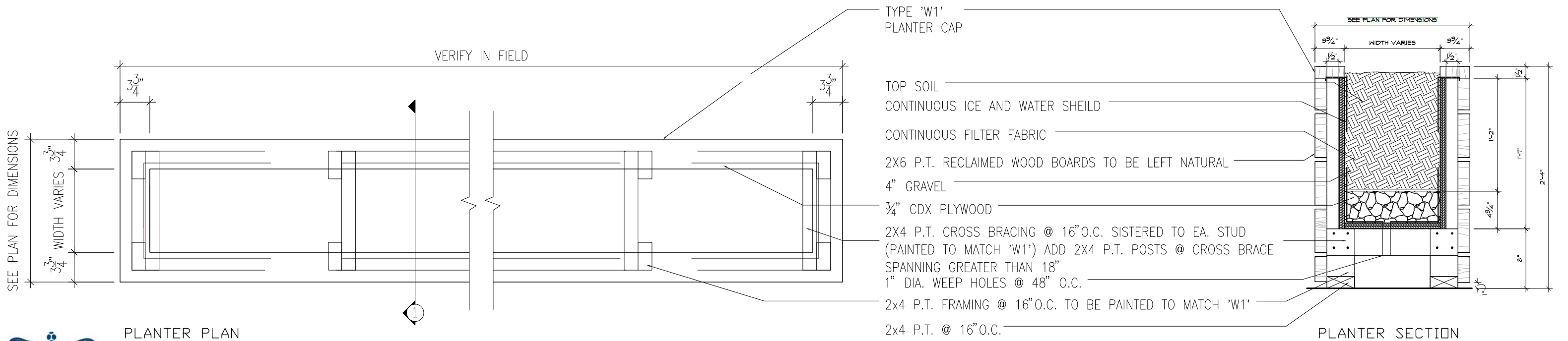
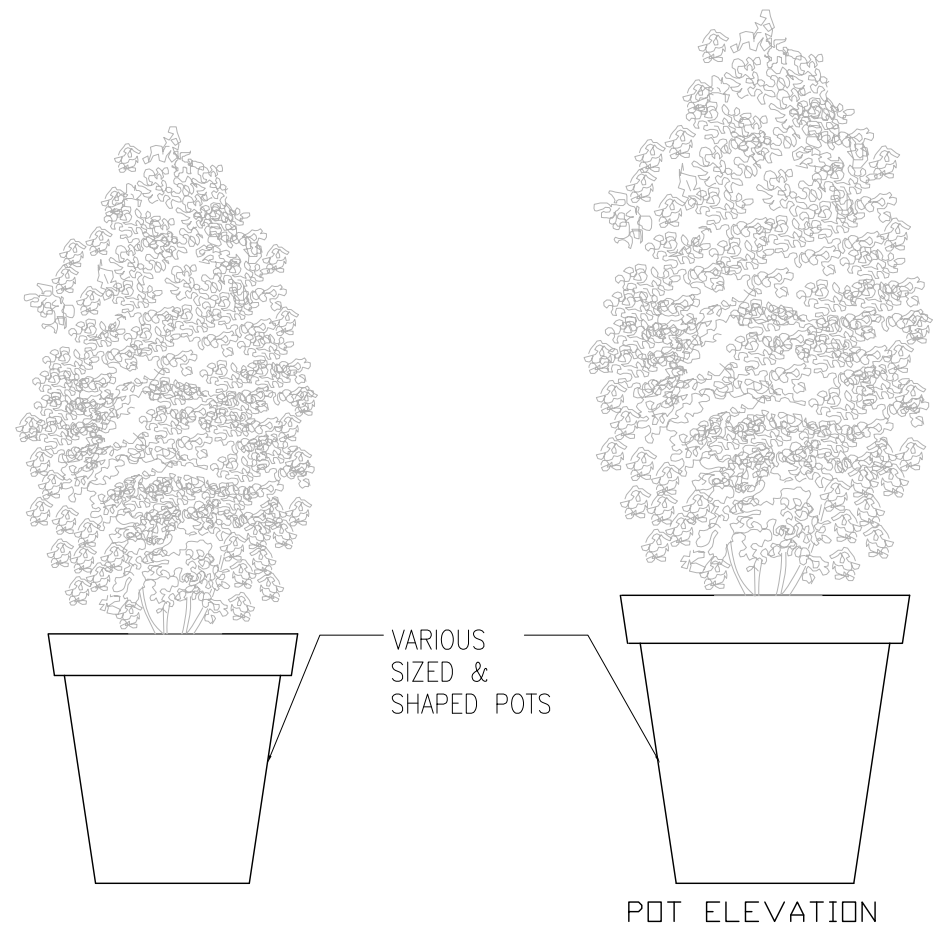
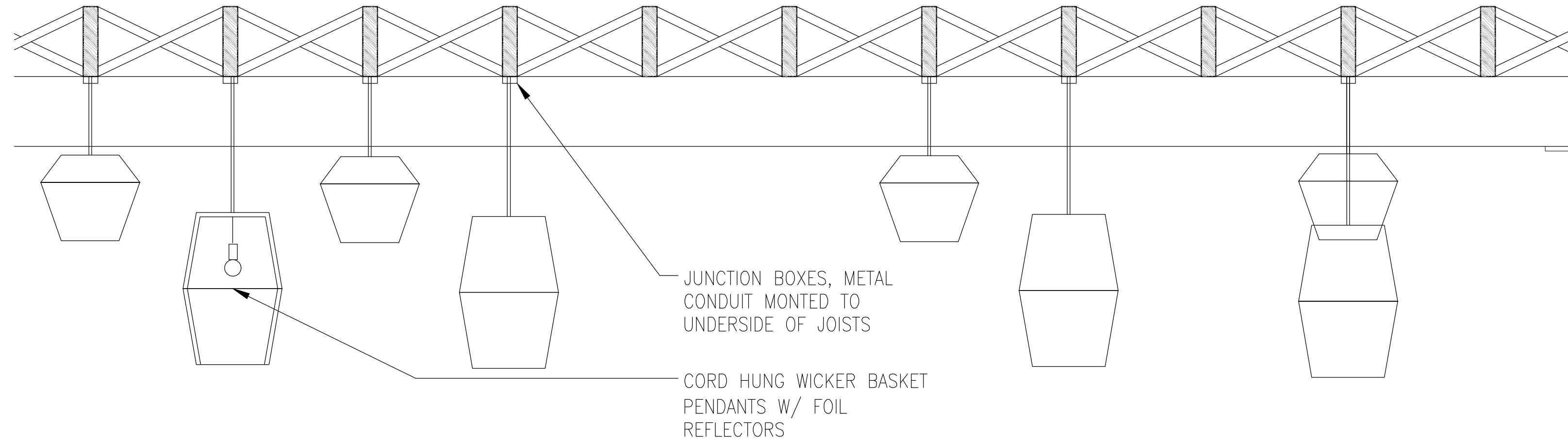
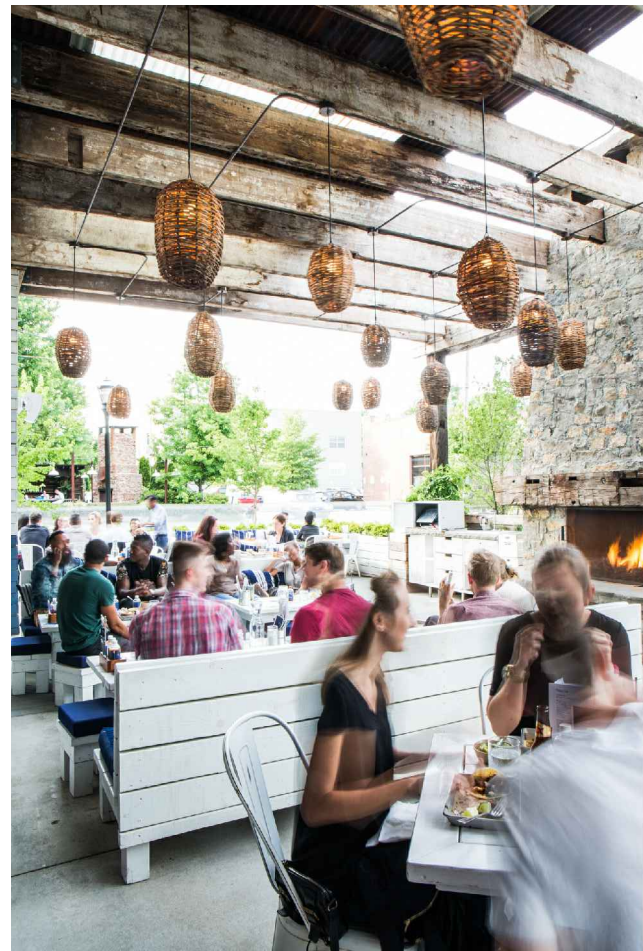


TABLE ELEVATION







BEACON
ARCHITECTURAL ASSOCIATES

BARTACO
25 THOMSON PLACE, FORT POINT

SCALE: 1/2" = 1'-0"

Reclaimed Bench
0' 1' 2' 4'

