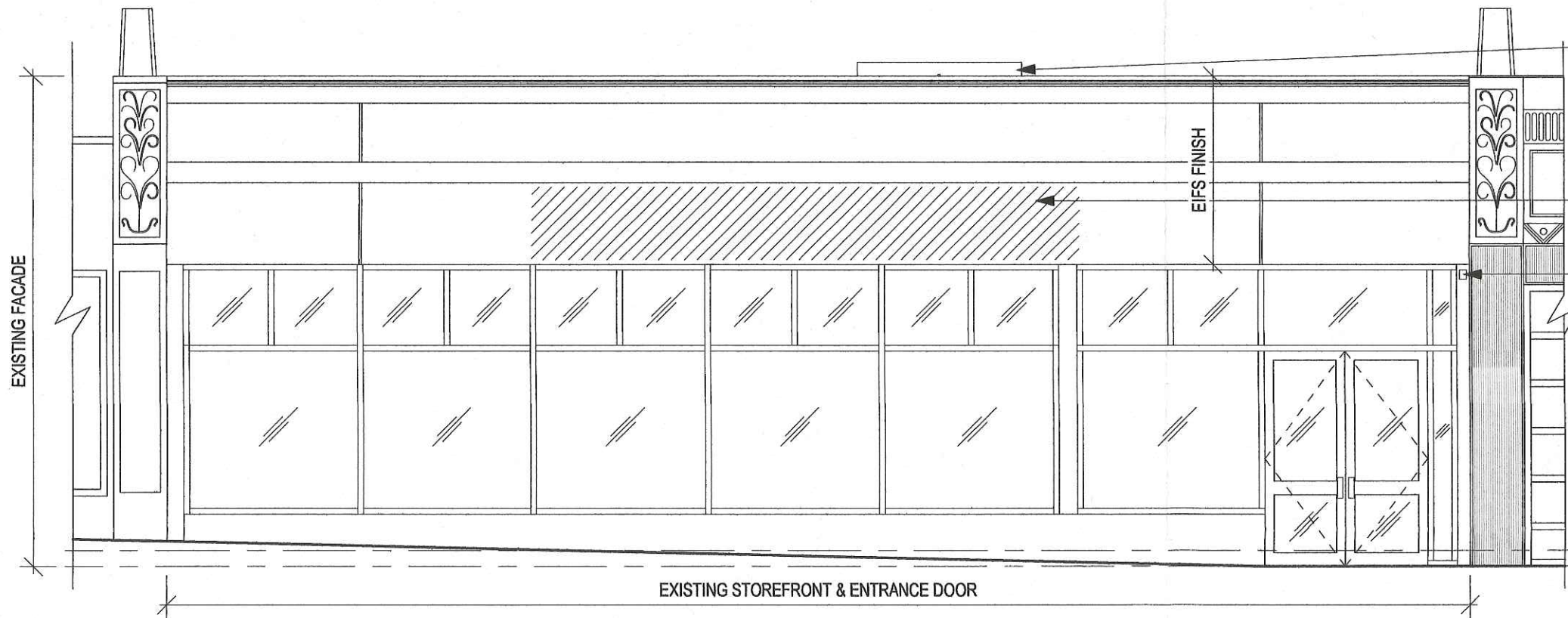




EXISTING FACADE



EXISTING FACADE FROM EAST BOUND SIDE OF BEACON STREET



EXISTING ROOFTOP MOUNTED AIR HANDLING UNIT CLOSEST TO BEACON STREET

CURRENT DISCREPANCY OF COLOR WILL BE REMEDIATED BY THE BUILDING OWNER. A FRESH COATING OF EIFS SURFACE FINISH, MATCHING COLOR AND TEXTURE IN PLACE, WILL BE INSTALLED ACROSS THE COMPLETE BAND FROM VERTICAL REVEAL JOINT TO VERTICAL REVEAL JOINT.

EXISTING FIRE BEACON

1 EXISTING CONDITIONS
3/16" = 1'-0"

2 LOCATION
1" = 200'-0"



08/30/17

AS NOTED

1706

AM

1926 BEACON ST, BRIGHTON

Feng Shui Sushi & Dumplings

PSK-

022.1

EXISTING CONDITIONS - FACADE



t 617.497.9191
f 617.497.9090

2326 Massachusetts Ave | Cambridge MA 02140



ROOFTOP LOOKING EAST



ROOFTOP LOOKING WEST



ROOFTOP LOOKING NORTH



ROOFTOP LOOKING SOUTH



t 617.497.9191
f 617.497.9090
226 Massachusetts Ave | Cambridge MA 02140

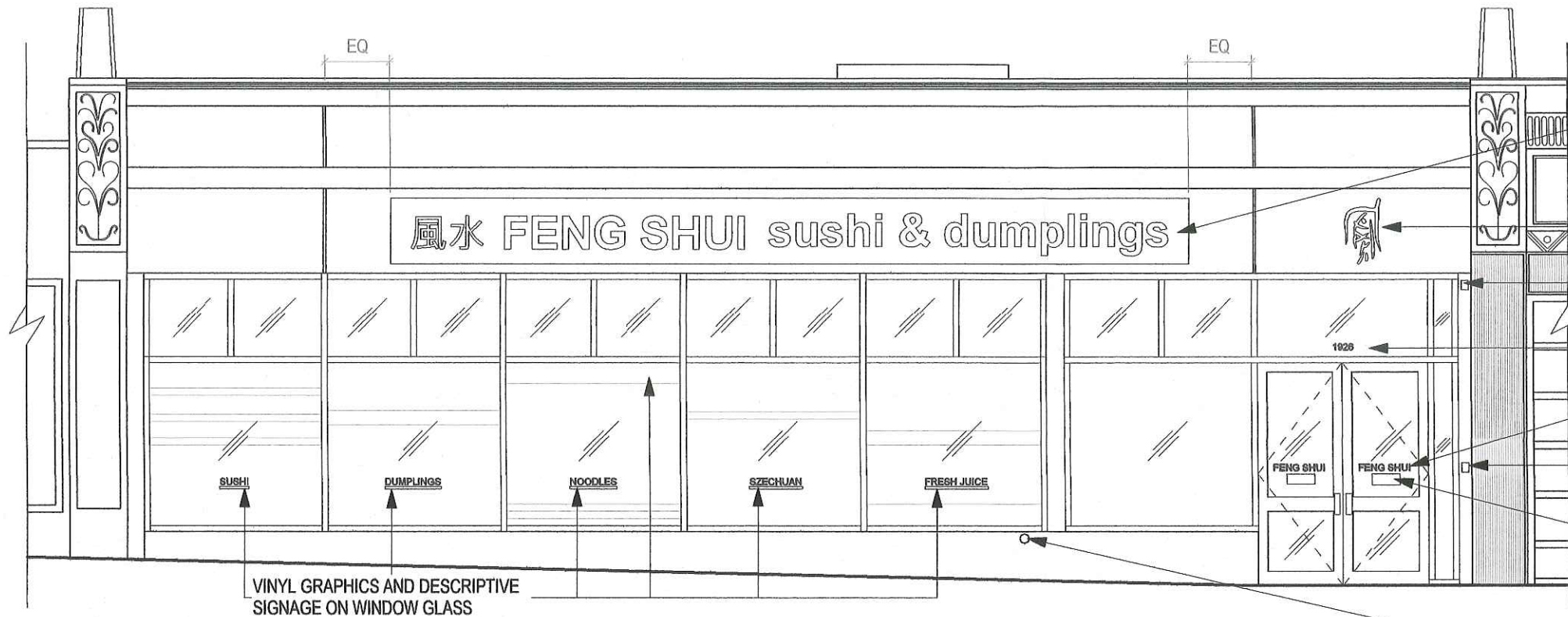
DATE	08/30/17
AS NOTED	
SCALE	1706
DATE	AM

1926 BEACON ST, BRIGHTON

Feng Shui Sushi & Dumpings

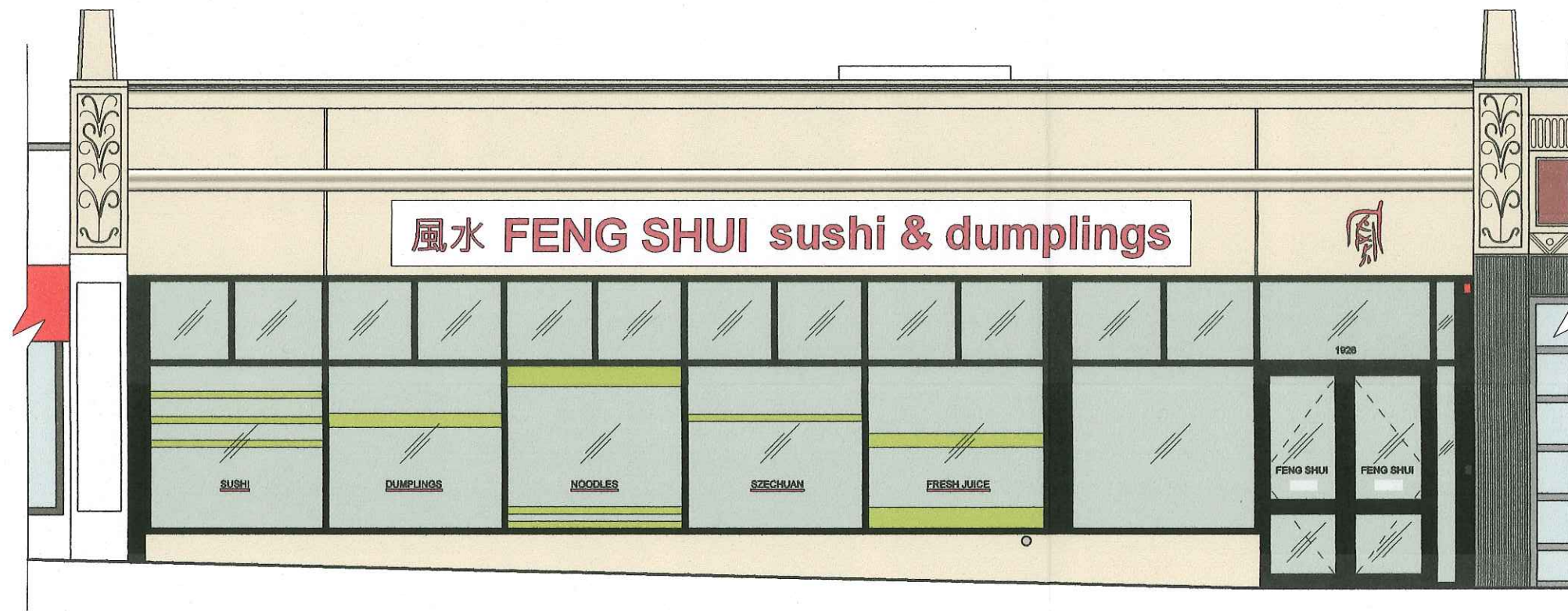
PSK-
Project
022.2

EXISTING CONDITIONS - ROOFTOP



- PRIMARY BUILDING SIGN. HALO-LIT RED LETTERING PIN MOUNTED ONTO PANEL
- RESTAURANT LOGO. HALO-LIT PIN MOUNTED RED GRAPHIC
- EXISTING BEACON TO REMAIN
- POSTAL ADDRESS NUMBER
- RESTAURANT NAME. VINYL SIGNAGE ON GLASS DOORS.
- NEW BLACK KNOX BOX IN EXISTING MULLION
- VINYL SIGNAGE. HOURS OF OPERATION
- NEW FIRE DEPARTMENT CONNECTION. APPROXIMATE LOCATION TO BE CONFIRMED WITH B.F.D.

① PROPOSED FACADE
3/16" = 1'-0"



② PROPOSED FACADE
3/16" = 1'-0"

2326 Massachusetts Ave | Cambridge, MA, 02140
t 617.487.9191
f 617.487.9880
DARLOW/CHRIST ARCHITECTS

DATE	08/30/17
BY	
REVISION	
AS NOTED	
SCALE	1/8" = 1'-0"
DATE	1706
BY	
REVISION	
DATE	AM
BY	

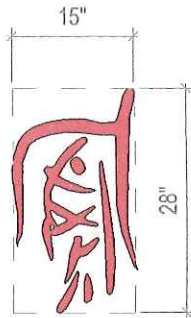
1926 BEACON ST, BRIGHTON

Feng Shui Sushi & Dumplings

PSK-022.3 PROPOSED FACADE

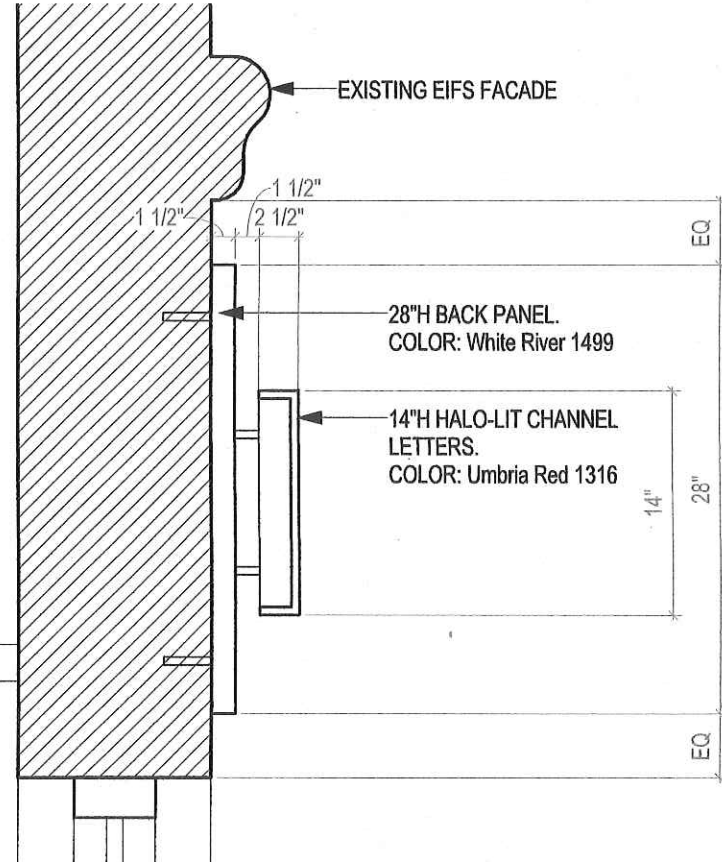
風水 FENG SHUI sushi & dumplings

① PRIMARY BUILDING SIGN
 1/2" = 1'-0"

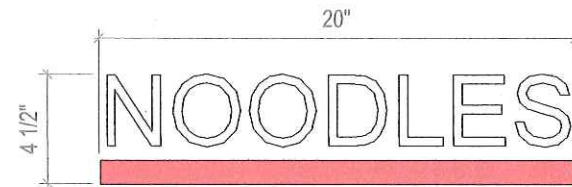


COLOR: Umbria Red 1316

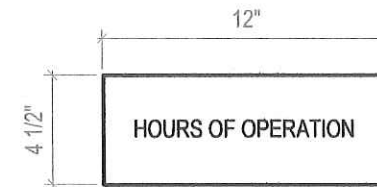
② RESTAURANT LOGO
 1/2" = 1'-0"



③ PRIMARY SIGN DETAIL
 1" = 1'-0"

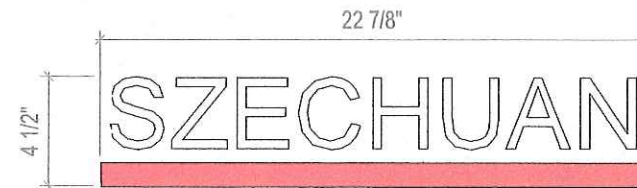


0.625 SF

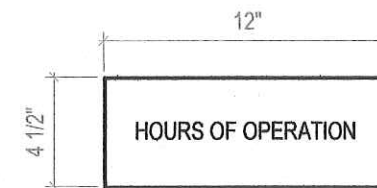


0.375 SF

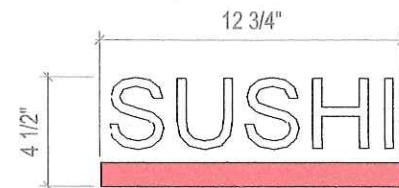
PRIMARY SIGNAGE AREA:	66.50 SF
LOGO AREA:	2.90 SF
VINYLS AREA:	29.8 SF
TOTAL SIGNAGE AREA:	99.20 SF



0.720 SF

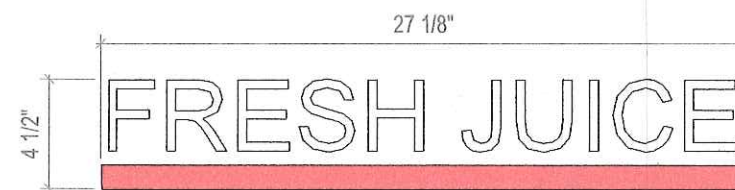


0.375 SF

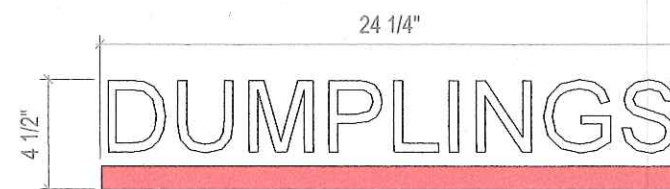


0.400 SF

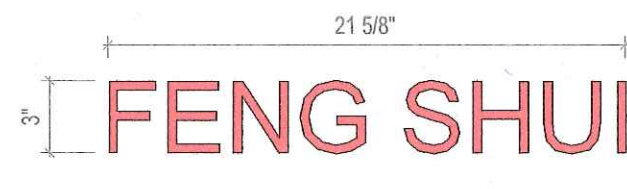
LETTERS COLOR : White River 1499
 LINE COLOR : Umbria Red 1316



0.850 SF



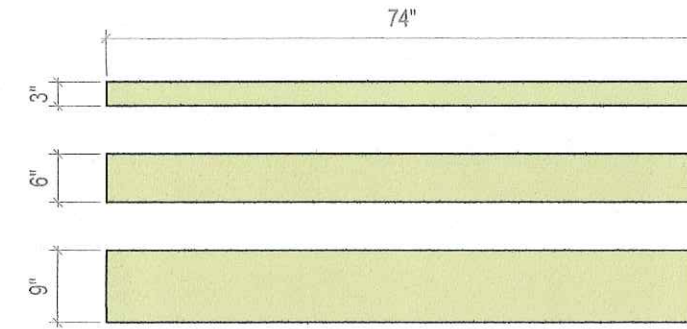
0.750 SF



0.450 SF



0.450 SF



AREA 1.55SF
 TYP OF (6)

AREA 3.10SF
 TYP OF (2)

AREA 4.65SF
 TYP OF (2)

COLOR : TRANSLUCENT DE5522 Palm Frond LVR 37
 SCALE: 1/2" = 1'-0"

④ VINYL GRAPHICS
 1 1/2" = 1'-0"



DATE	08/30/17
AS NOTED	1706
AM	J

1926 BEACON ST, BRIGHTON

Feng Shui Sushi & Dumplings

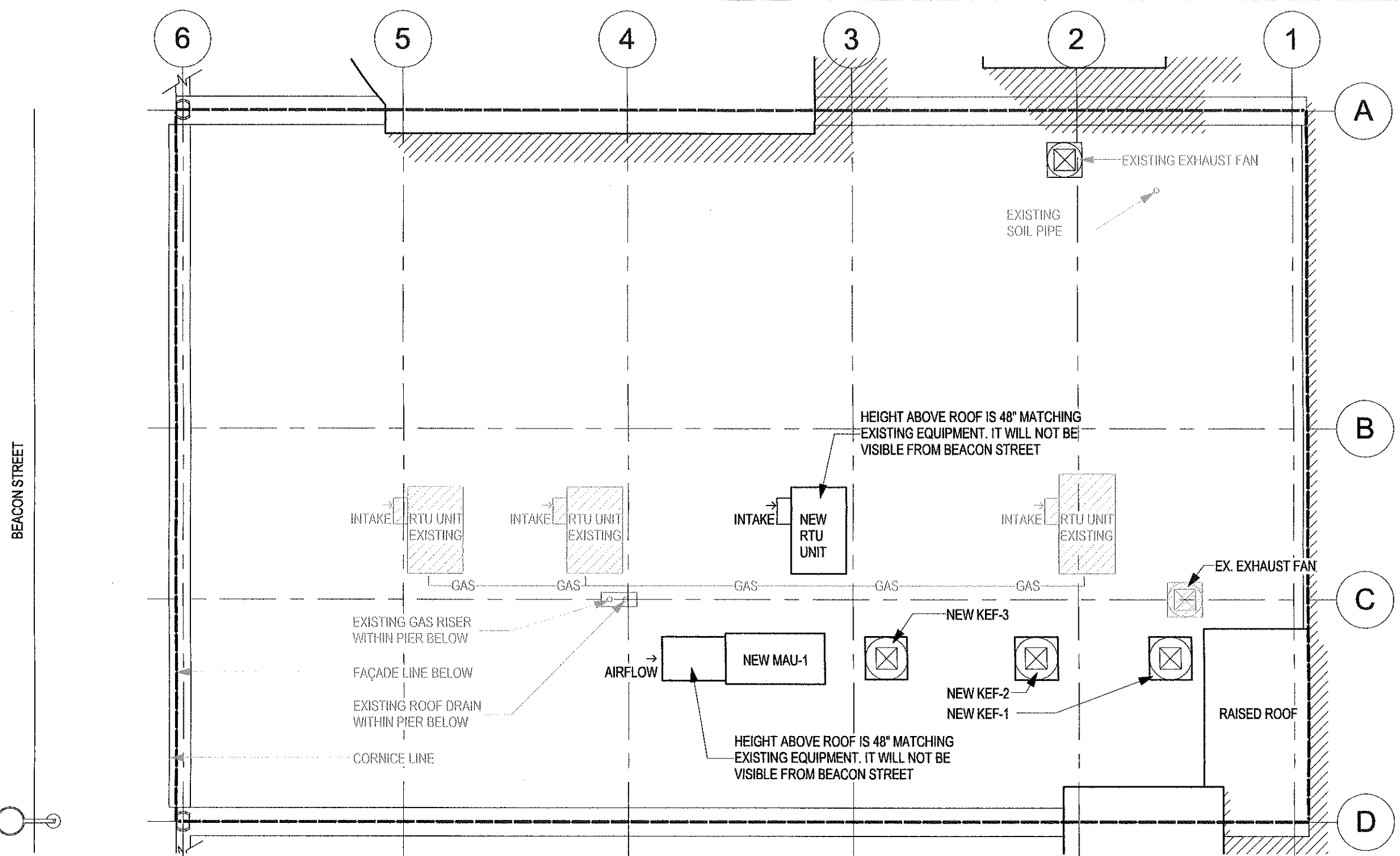
PSK-022.4 SIGNAGE

DATE	08/30/17
AS NOTED	1706
SCALE	AM
BY	JLW

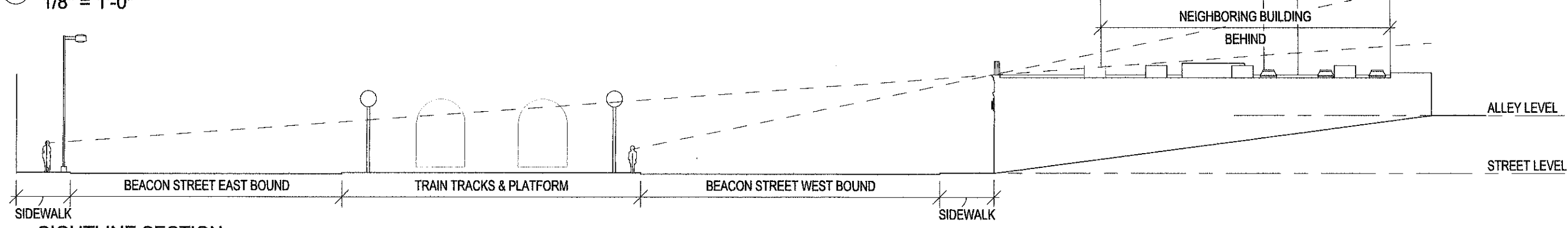
1926 BEACON ST., BRIGHTON

Feng Shui Sushi & Dumplings
 PROJECT

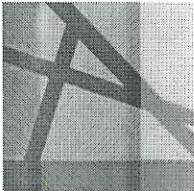
PSK.
022.5
 TITLE



1 PROPOSED ROOF PLAN
 1/8" = 1'-0"



2 SIGHTLINE SECTION
 1" = 20'-0"



617.497.9191
www.darlowchrist.com
2326 Massachusetts Ave Cambridge MA 02140

DARLOW CHRIST
ARCHITECTS

COLOR SAMPLES

1926 BEACON STREET BRIGHTON

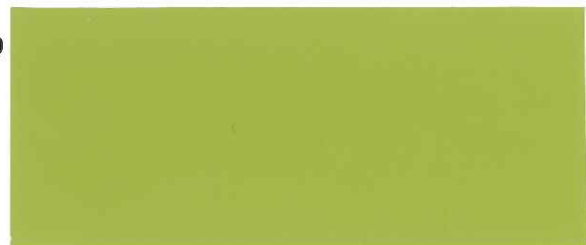
MANUFACTURER: BENJAMIN MOORE
COLOR: UMBRIA RED
NUMBER: 1316



MANUFACTURER: BENJAMIN MOORE
COLOR: WHITE RIVER
NUMBER: 1499



MANUFACTURER: DUNN EDWARDS
COLOR: DE5522 PALM FROND
NUMBER: LRV 37



Feng Shui Sushi & Dumplings 1926 BEACON ST, BRIGHTON

Project

1706

Job No.

CUTSHEETS

Title

08/30/17

Date

Scale



DARLOW CHRIST
ARCHITECTS

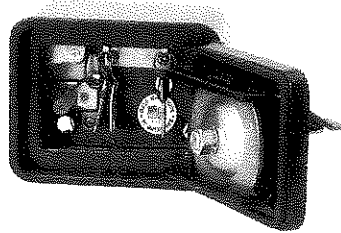
T 617.497.9191
F 617.497.9090

2326 Massachusetts Ave | Cambridge MA 02140

Recessed Mount
with Face Flange



Surface Mount



High Security Industrial/Government Key Box



The number one high-security KNOX-BOX® is used for most commercial applications including businesses, schools, government and public buildings, community associations and apartment complexes. The 3200 Series KNOX-BOX holds keys, access cards and other small items necessary for emergency access.

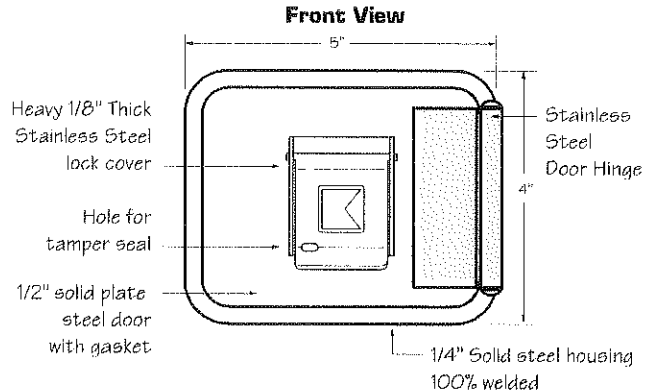
The hinged-door 3200 Series KNOX-BOX is more convenient than the lift-off door version because it allows single-handed operation and opened or closed, it's all one unit.

Features and Benefits

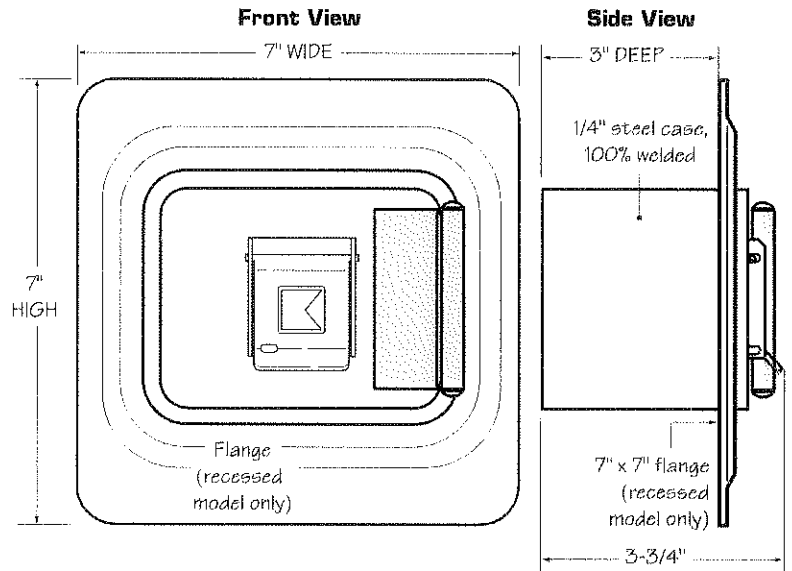
- Holds up to 10 keys and access cards in interior compartment
- Ensures high security. Box and lock are UL® Listed
- Includes a Knox-Coat® proprietary finishing process that protects Knox products up to four times better than standard powder coat
- Resists moist conditions with a weather resistant door gasket
- Hinged door allows single-handed operation
- Colors: Black, Dark Bronze or Aluminum
- Weight: Surface mount - 8 lbs.
Recessed mount - 9 lbs.

Options

- Alarm tamper switches (UL Listed)
- Recessed Mounting Kit (RMK) for recessed models only
- Inside switch for use on electrical doors, gates and other electrical equipment



3200 Surface Mount



3200 Recessed Mount

Ordering Specifications

To insure procurement and delivery of the 3200 Series KNOX-BOX, it is suggested that the following specification paragraph be used:

KNOX-BOX surface/recessed mount with hinged door, with/without UL Listed tamper switches. 1/4" plate steel housing, 1/2" thick steel door with interior gasket seal and stainless steel door hinge. Box and lock UL Listed. Lock has 1/8" thick stainless steel dust cover with tamper seal mounting capability.

Exterior Dimensions: Surface mount body- 4"H x 5"W x 3-3/4"D

Recessed mount flange- 7"H x 7"W

Lock: UL Listed. Double-action rotating tumblers and hardened steel pins accessed by a biased cut key.

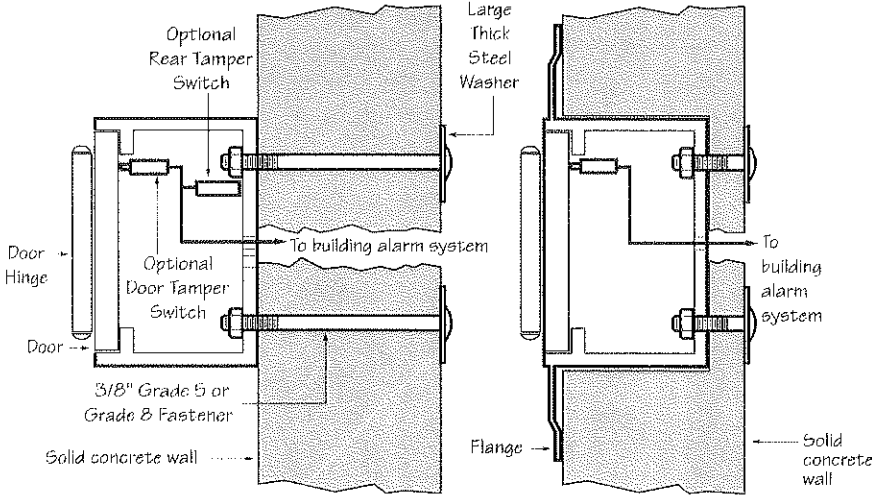
Finish: Knox-Coat® proprietary finishing process

Colors: Black, Dark Bronze or Aluminum

P/N: 3200 Series KNOX-BOX (mfr's cat. ID)

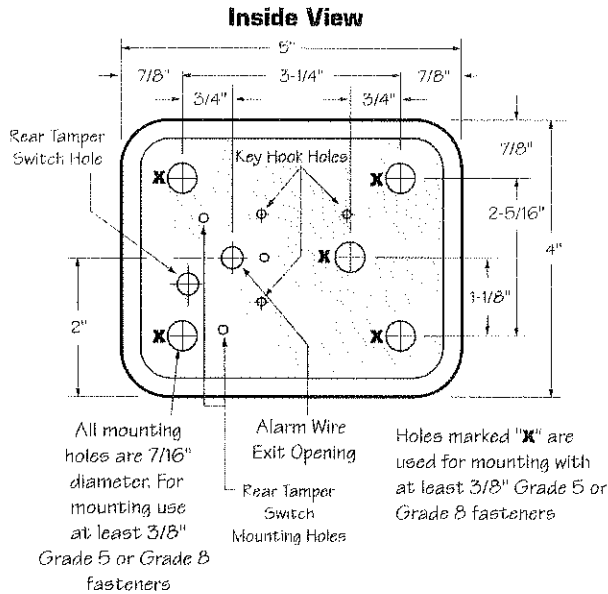
Mfr's Name: **KNOX COMPANY**

**Suggested minimum mounting height
6 feet above ground**



**3200 Series Hinged Door
Surface Mount**

**3200 Series Hinged Door
Recess Mount**



Attention: KNOX-BOX® is a very strong device that MUST be mounted properly to ensure maximum security and resist physical attack.

Knox® Rapid Entry System

The Knox Company manufactures a complete line of high security products including Knox-Box key boxes, key vaults, cabinets, key switches, padlocks, locking FDC caps, plugs and electronic master key security systems. For more information or technical assistance, please call Customer Service at 1-800-552-5669.

Recessed Mounting Kit

The 3200 Recessed Mounting Kit (RMK) is used for recessed models only. It contains a shell housing and mounting hardware to be cast-in-place in new concrete or masonry construction. After construction is completed, the KNOX-BOX mounts inside the RMK. The RMK may only be used in new concrete or masonry construction.

Installation In Cast Concrete

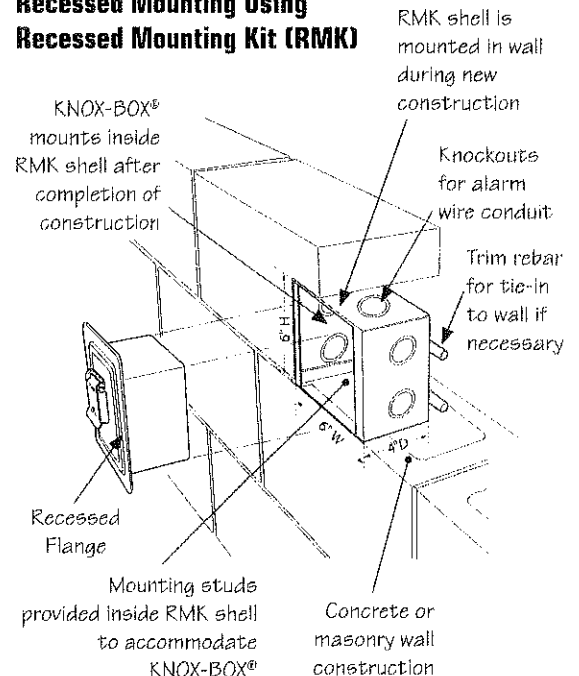
The optional Recessed Mounting Kit is for use in new concrete or masonry construction only. The kit includes a shell housing and mounting hardware to be cast-in-place. The KNOX-BOX is mounted into the shell housing after construction is completed.

Dimensions

Rough-in Dimensions: 6-1/2"H x 6-1/2"W x 5"D

IMPORTANT: Care should be taken to insure that the front of the RMK shell housing, including the cover plate and screw heads, is flush with the finish wall. The RMK must be plumbed to insure vertical alignment of the vault.

**Recessed Mounting Using
Recessed Mounting Kit (RMK)**





GUARDIAN
FIRE EQUIPMENT, INC.
MIAMI, FL
Ph. 800.327.6584 • Fax 800.827.3869

DETAIL AND SUBMITTAL SHEET

6600 Series - Storz Fire Dept Connections and Dry Hydrants

Project/Location: _____ Date: _____
 Architect/Engineer: _____ Qty: _____
 Contractor: _____

Appropriate Selection

Storz Connections - Used as auxiliary connections through which the fire department can pump water to supplement existing water supplies.

Straight and 30° Angle Pattern Adapters - Locking Storz inlet x Female NPT outlet, forged aluminum with powder coat finish.

Optional Components

- Identification plate - refer to 6400 Series
- Storz caps - refer below

Free-Standing Type - Straight pattern Storz adapter with Storz cap, forged aluminum with powder coat finish and galvanized steel elbow.

Components

- Brass identification plate lettered as required and 18" high cover sleeve.
- Rough chrome plated* finish

Straight Model No.	30° Angle Model No.	Free-Standing	Size
<input type="checkbox"/> 6614	<input type="checkbox"/> 6624	<input type="checkbox"/> 6634*	4" NPT x 4" Storz
<input type="checkbox"/> 6615	<input type="checkbox"/> 6625	<input type="checkbox"/> 6635*	4" NPT x 5" Storz
<input type="checkbox"/> 6616	<input type="checkbox"/> 6626	<input type="checkbox"/> 6636*	4" NPT x 6" Storz
<input type="checkbox"/> 6617	<input type="checkbox"/> 6627	<input type="checkbox"/> 6637*	6" NPT x 4" Storz
<input type="checkbox"/> 6618	<input type="checkbox"/> 6628	<input type="checkbox"/> 6638*	6" NPT x 5" Storz

Identification Plate Lettering (Models 6634 - 6639)

AUTO SPKR STANDPIPE AUTO SPKR & STANDPIPE

*Optional Finish: -D Polished chrome plated

Storz Caps - Blind cap with securing wire or chain, forged aluminum with powder coat finish

Model No.	Size
<input type="checkbox"/> 6644	4" Storz
<input type="checkbox"/> 6645	5" Storz

Model No.	Size
<input type="checkbox"/> 6646	6" Storz

Dry Hydrants - Provides a fire water supply in rural settings where pressurized water systems are insufficient or unavailable. Assemblies include hose thread adapter and strainer constructed of hard-coated aluminum and schedule 40 PVC 5" 90° elbow. Caps (optional) are hard-coated aluminum

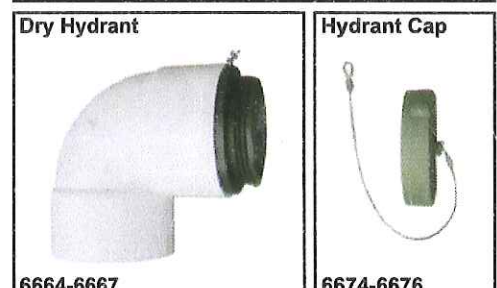
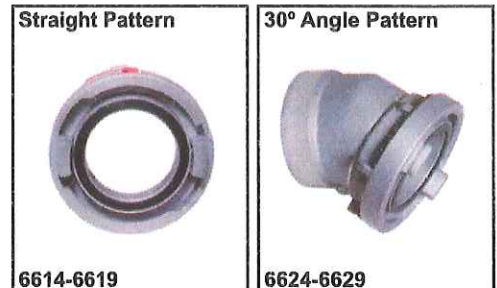
Model No.	Hydrant Size
<input type="checkbox"/> 6664	6" PVC x 4 1/2" male NST
<input type="checkbox"/> 6665	6" PVC x 5" male NST
<input type="checkbox"/> 6667	6" PVC x 6" male NST

Model No.	Cap Size
<input type="checkbox"/> 6674	4 1/2" NST
<input type="checkbox"/> 6675	5" NST
<input type="checkbox"/> 6676	6" NST

PVC Suction Strainer

Model No.	Size
<input type="checkbox"/> 6686	6" Horizontal
<input type="checkbox"/> 6687	8" Horizontal

Model No.	Size
<input type="checkbox"/> 6688	6" Vertical (Barrel)
<input type="checkbox"/> 6689	8" Vertical (Barrel)



EXHAUST FAN INFORMATION - Job#3070569

FAN UNIT NO.	TAG	FAN UNIT MODEL #	CFM	ESP.	RPM	H.P.	B.H.P.	Ø	VOLT	FLA	WEIGHT (LBS.)	SONES
1		DUI80HFA	2600	1.250	1172	2.000	0.8600	3	208	6.1	161	14.7
2	WOK-L	DUI80HFA	3175	1.500	1346	3.000	1.3090	3	208	9.5	186	20
3	WOK-R	DUI80HFA	3175	1.500	1346	3.000	1.3090	3	208	9.5	186	20

MUA FAN INFORMATION - Job#3070569

FAN UNIT NO.	TAG	FAN UNIT MODEL #	BLOWER	HOUSING	MIN CFM	DESIGN CFM	ESP.	RPM	H.P.	B.H.P.	Ø	VOLT	FLA	WEIGHT (LBS.)	SONES	BURNER EFFICIENCY(%)
4		A3-D.750-G18	G18-PB	A3-D.750	3500	6380	0.750	825	5.000	3.5050	3	208	15.0	1004	14.7	92

GAS FIRED MAKE-UP AIR UNIT(S)

FAN UNIT NO.	TAG	INPUT BTUs	OUTPUT BTUs	TEMP. RISE	REQUIRED INPUT GAS PRESSURE	GAS TYPE
4		524270	482328	70 deg F	7 in. w.c. - 14 in. w.c.	Natural

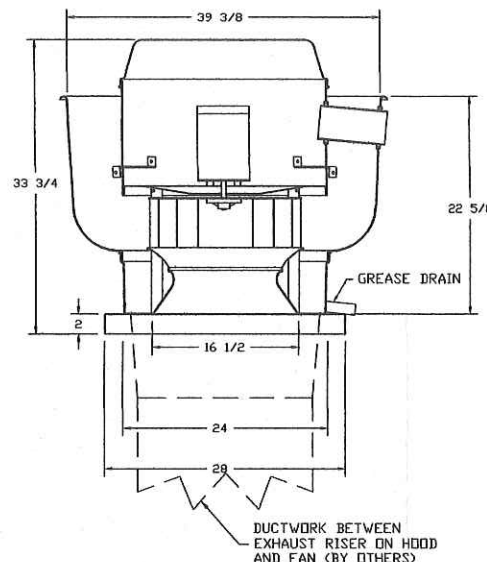
FAN OPTIONS

FAN UNIT NO.	TAG	OPTION (Qty. - Descr.)
1		1 - Grease Box 1 - Fan Base Ceramic Seal - Installed At Plant - For Grease Ducts
2	WOK-L	1 - Grease Box 1 - Fan Base Ceramic Seal - Installed At Plant - For Grease Ducts
3	WOK-R	1 - Grease Box 1 - Fan Base Ceramic Seal - Installed At Plant - For Grease Ducts
4		1 - Motorized Backdraft Damper for A3-D Housing 1 - Low Fire Start 1 - Inlet Pressure Gauge, 0-35" 1 - Manifold Pressure Gauge, -5 to 15" wc 1 - Separate 120V Wiring Package (Required and used only for DCV or Prewire with VFD) - Three Phase Only

CURB ASSEMBLIES

NO.	ON FAN	WEIGHT	ITEM	SIZE
1	# 1	41 LBS	Curb	26.500"W x 26.500"L x 20.000"H Vented Hinged
2	# 2	41 LBS	Curb	26.500"W x 26.500"L x 20.000"H Vented Hinged
3	# 3	41 LBS	Curb	26.500"W x 26.500"L x 20.000"H Vented Hinged
4	# 4	82 LBS	Curb	35.000"W x 84.000"L x 20.000"H Insulated

FANS #1, #2 (WOK-L), #3 (WOK-R) - DUI80HFA EXHAUST FAN



FEATURES:

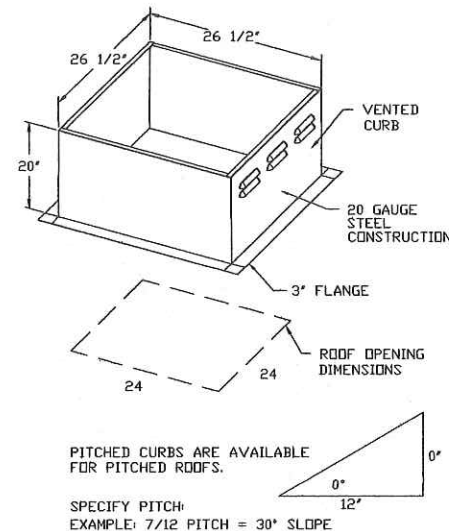
- DIRECT DRIVE CONSTRUCTION (NO BELTS/PULLEYS)
- ROOF MOUNTED FANS
- RESTAURANT MODEL
- UL705 AND UL762
- VARIABLE SPEED CONTROL
- INTERNAL WIRING
- WEATHERPROOF DISCONNECT
- THERMAL OVERLOAD PROTECTION (SINGLE PHASE)
- HIGH HEAT OPERATION 300°F (149°C)
- GREASE CLASSIFICATION TESTING

NORMAL TEMPERATURE TEST
EXHAUST FAN MUST OPERATE CONTINUOUSLY WHILE EXHAUSTING AIR AT 300°F (149°C) UNTIL ALL FAN PARTS HAVE REACHED THERMAL EQUILIBRIUM, AND WITHOUT ANY DETERIORATING EFFECTS TO THE FAN WHICH WOULD CAUSE UNSAFE OPERATION.

ABNORMAL FLARE-UP TEST
EXHAUST FAN MUST OPERATE CONTINUOUSLY WHILE EXHAUSTING BURNING GREASE VAPORS AT 600°F (316°C) FOR A PERIOD OF 15 MINUTES WITHOUT THE FAN BECOMING DAMAGED TO ANY EXTENT THAT COULD CAUSE AN UNSAFE CONDITION.

OPTIONS

- GREASE BOX
- FAN BASE CERAMIC SEAL - INSTALLED AT PLANT - FOR GREASE DUCTS

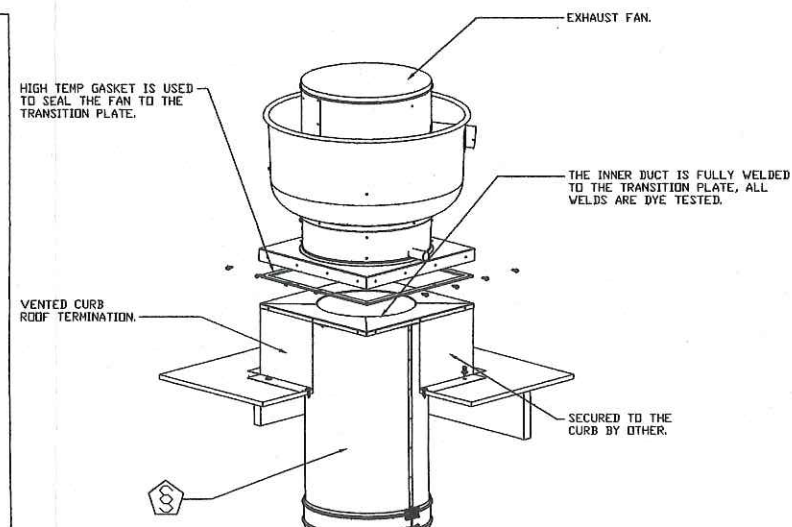


PITCHED CURBS ARE AVAILABLE FOR PITCHED ROOFS.

SPECIFY PITCH:
EXAMPLE: 7/12 PITCH = 30° SLOPE

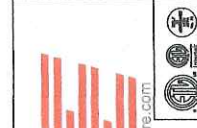
GREASE DUCT SPECIFICATIONS:
PROVIDE GREASE DUCT EQUAL TO CAPTIVEAIRE SYSTEMS MODEL "DW" ROUND 20 GAUGE 430 STAINLESS STEEL DUCTWORK. MODEL "DW" IS LISTED TO UL-1978 AND IS INSTALLED USING "V" CLAMP LOCKING CONNECTIONS SEALED WITH 3M FIRE BARRIER 2000 PLUS. MODEL "DW" DOES NOT REQUIRE WELDING PROVIDING IT HAS BEEN INSTALLED PER THE MANUFACTURES INSTALLATION GUIDE.
PROVIDE RATED ACCESS DOORS AT EVERY CHANGE IN DIRECTION AND EVERY 12' ON CENTER. PER MANUFACTURES LISTING MODEL "DW" HORIZONTAL RUNS LESS THAN 75 FT. CAN BE SLOPED 1/16" PER 12", HORIZONTAL RUNS MORE THAN 75 FT. CAN BE SLOPED 3/16" PER 12". DUCT SHOULD BE SLOPED AS MUCH AS POSSIBLE TO REDUCE THE CHANCE OF GREASE ACCUMULATION IN HORIZONTAL RUNS.

IF THE DUCT IS WITHIN 18 INCHES OF COMBUSTIBLE MATERIAL, PROVIDE UL-2221 LISTED DOUBLE WALL GREASE DUCT EQUAL TO CAPTIVEAIRE SYSTEMS MODEL "DW- 2R, 3R, OR 3Z" ROUND 20 GAUGE 430 STAINLESS INNER DUCT INSULATED WITH A 24 GAUGE 430 STAINLESS OUTER SHEET.



REVISIONS

DESCRIPTION	DATE



CAPTIVE AIR
www.captiveaire.com
Boston/Rhode Island Mechanical
770 Dedham St., Suite 4, Canton, MA, 02021 PHONE: (617) 681-7077 FAX: (919) 227-8908 EMAIL: reg26@captiveaire.com

FENG SHUI - BROOKLINE

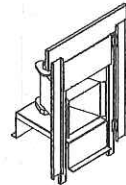
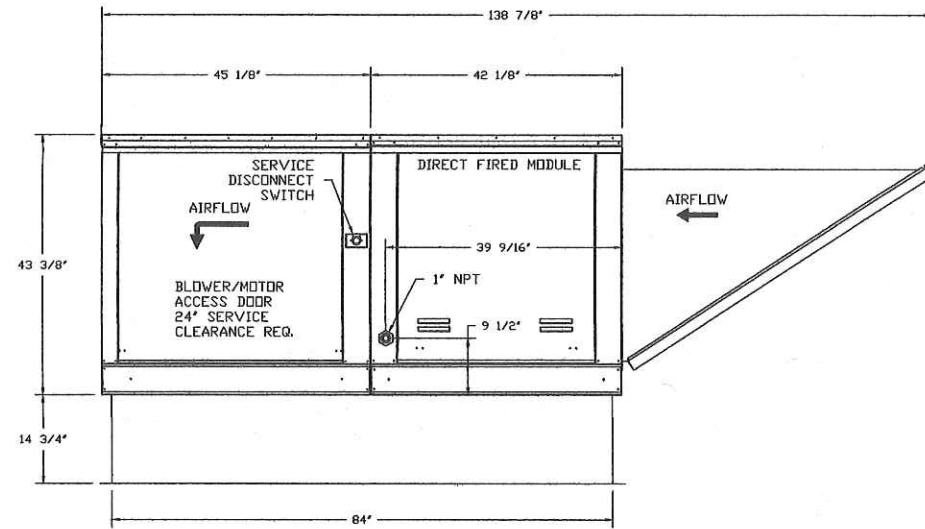
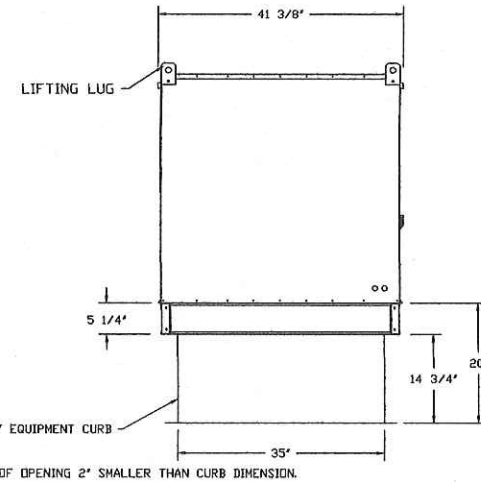
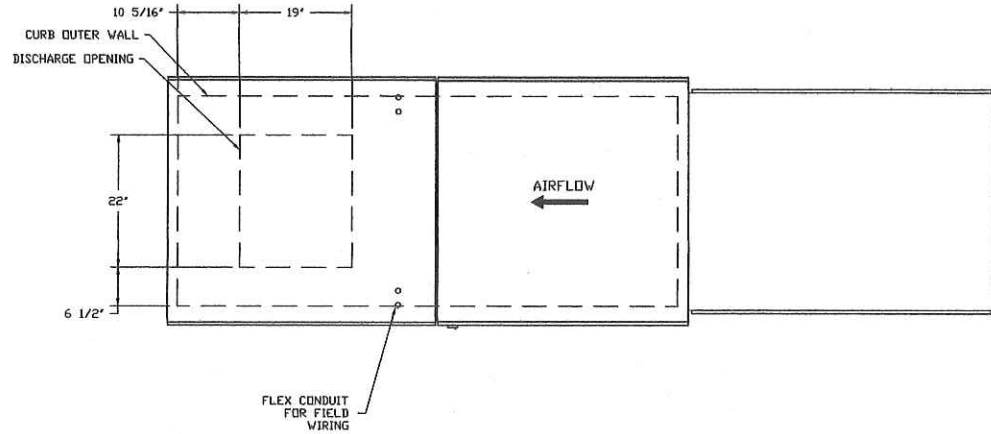
DATE: 7/3/2017
DWG.#: 3070569
DRAWN BY:
SCALE: 3/4" = 1'-0"
MASTER DRAWING

SHEET NO. 4

- FAN #4 A3-D750-G18 - HEATER
 1. DIRECT GAS FIRED HEATED MAKE UP AIR UNIT WITH 18" BLOWER AND 18" BURNER.
 2. INTAKE HOOD WITH EZ FILTERS
 3. DOWN DISCHARGE - AIR FLOW RIGHT -> LEFT
 4. MOTORIZED BACK DRAFT DAMPER 30" X 30" FOR SIZE 3 STANDARD & MODULAR HEATER AND UNTEMPERED UNITS W/EXTENDED SHAFT, STANDARD GALVANIZED CONSTRUCTION, 3/4" REAR FLANGE, NFBUP-S ACTUATOR INCLUDED
 5. LOW FIRE START. ALLOWS THE BURNER CIRCUIT TO ENERGIZE WHEN THE MODULATION CONTROL IS IN A LOW FIRE POSITION.
 6. GAS PRESSURE GAUGE, 0-35", 2.5" DIAMETER, 1/4" THREAD SIZE
 7. GAS PRESSURE GAUGE, -5 TO +15 INCHES WC, 2.5" DIAMETER, 1/4" THREAD SIZE
 8. SEPARATE 120VAC WIRING PACKAGE FOR MAKE-UP AIR UNITS. OPTION MUST BE SELECTED WHEN MOUNTING VFD IN PREVIRE PANEL OR WITH DCV PACKAGE. PROVIDES SEPARATE 120VAC INPUT TO SUPPLY FAN. THIS 120V SIGNAL MUST BE RUN BY ELECTRICIAN FROM DCV TO MUA SWITCH.

SUPPLY SIDE HEATER INFORMATION:

WINTER TEMPERATURE = 10°F. TEMP. RISE = 70°F.
 BTUs CALCULATED OFF STANDARD AIR DENSITY
 OUTPUT BTUs AT ALTITUDE OF 0.0 Ft. = 482328
 INPUT BTUs AT ALTITUDE OF 0.0 Ft. = 524270



Direct Fired (DF) Profile Plate Assembly

Direct Fired Profile Plate Specifications

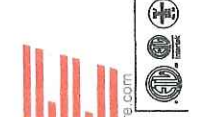
Description: Direct fired burners shall have patented (US Patent No. US6629232B2), self-adjusting profile plates designed to ensure proper air velocity and pressure drop across the burner. Profile plates shall allow burners to achieve clean combustion by limiting by-product levels to a maximum of 5ppm of carbon monoxide (CO), and 0.5ppm of nitrogen dioxide (NO2).

Application: Spring-loaded burner profile plates are engineered to automatically react to the momentum of a fresh air stream, without the need for any motors or actuators to mechanically adjust them. With this feature, all DF units are designed for demand control ventilation (DCV) requirements.

Certifications: All profile plate assemblies shall be included in the DF unit's ETL listing and comply with combined safety standards ANSI Z83.4 and CSA 37 (non-recirculating DF heaters) and ANSI Z83.18 (recirculating DF heaters).

General Construction:
 -Profile plates shall be formed from 500 galvanized steel.
 -Profile plates shall vary in size per unit.
 -Profile plates shall be mounted along the same plane as the discharge of the burner.
 -Design shall incorporate properly torqued, permanently mounted spring hinges.
 -Spring hinges shall be made from plated steel.

REVISIONS	
DESCRIPTION	DATE



CAPTIVE

www.captiveair.com

Boston/Rhode Island Mechanical

770 Dedham St., Suite 4, Canton, MA, 02021 PHONE: (617) 681-7077 FAX: (919) 227-5909 EMAIL: reg26@captiveair.com

FENG SHUI - BROOKLINE

, 0

DATE: 7/3/2017

DWG.#:
3070569

DRAWN BY:

SCALE:
3/4" = 1'-0"

MASTER DRAWING

SHEET NO.

5

- NOTES:
- 1 DIMENSIONS ARE IN INCHES, DIMENSIONS IN T 1 ARE IN MILLIMETERS
 - 2 CENTER OF GRAVITY
 - 3 DIRECTION OF AIR FLOW

UNIT	J	K
48HC-A04	33 3/8 [847]	18 5/8 [472]
48HC-A05	41 3/8 [1051]	14 7/8 [377]
48HC-A06	41 3/8 [1051]	14 7/8 [377]

UNITED TECHNOLOGIES SYRACUSE, NY
CARRIER P.O. BOX 4860 13221

THIS DOCUMENT IS THE PROPERTY OF CARRIER CORPORATION AND IS DELIVERED UPON THE EXPRESS CONDITION THAT THE CONTENTS WILL NOT BE DISCLOSED OR USED WITHOUT CARRIER CORPORATION'S WRITTEN CONSENT

SUBMISSION OF THESE DRAWINGS OR DOCUMENTS DOES NOT CONSTITUTE PART PERFORMANCE OR ACCEPTANCE OF CONTRACT.

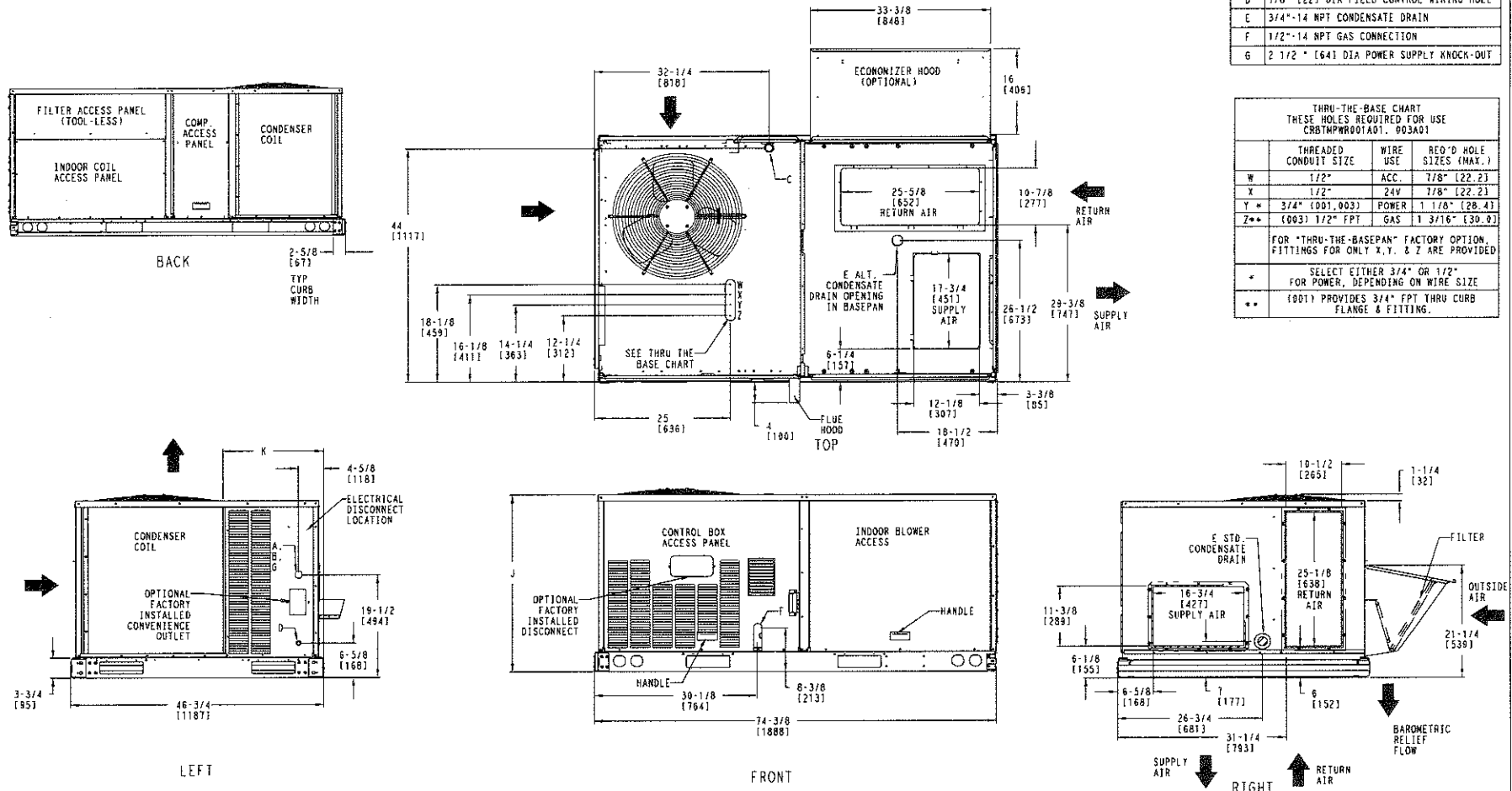
CONNECTION SIZES	
A	1 3/8" [35] DIA FIELD POWER SUPPLY HOLE
B	2" [50] DIA POWER SUPPLY KNOCKOUT
C	1 3/4" [51] DIA GAUGE ACCESS PLUG
D	7/8" [22] DIA FIELD CONTROL WIRING HOLE
E	3/4"-14 NPT CONDENSATE DRAIN
F	1/2"-14 NPT GAS CONNECTION
G	2 1/2" [64] DIA POWER SUPPLY KNOCK-OUT

THRU-THE-BASE CHART THESE HOLES REQUIRED FOR USE CRBTHPWR01A01. 003A01		
THREADED CONDUIT SIZE	WIRE USE	REQ'D HOLE SIZES (MAX.)
W	1/2" ACC.	7/8" [22.2]
X	1/2" 24V	7/8" [22.2]
Y	3/4" (00), (003) POWER	1 1/8" [28.4]
Z**	(003) 1/2" FPT GAS	1 3/16" [30.9]

FOR "THRU-THE-BASE" FACTORY OPTION, FITTINGS FOR ONLY X, Y, & Z ARE PROVIDED

* SELECT EITHER 3/4" OR 1/2" FOR POWER, DEPENDING ON WIRE SIZE


** (001) PROVIDES 3/4" FPT THRU CURB FLANGE & FITTING



SHEET	DATE	SUPERCEDES	48HC 04-06 SINGLE ZONE ELECTRICAL COOLING WITH GAS HEAT	48TM502588	REV
1 OF 2	01/14/10	10/12/09			A

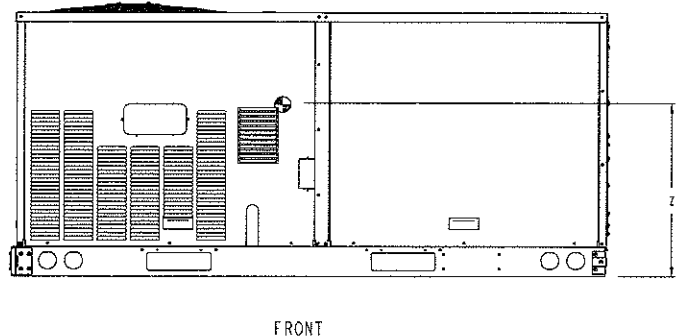
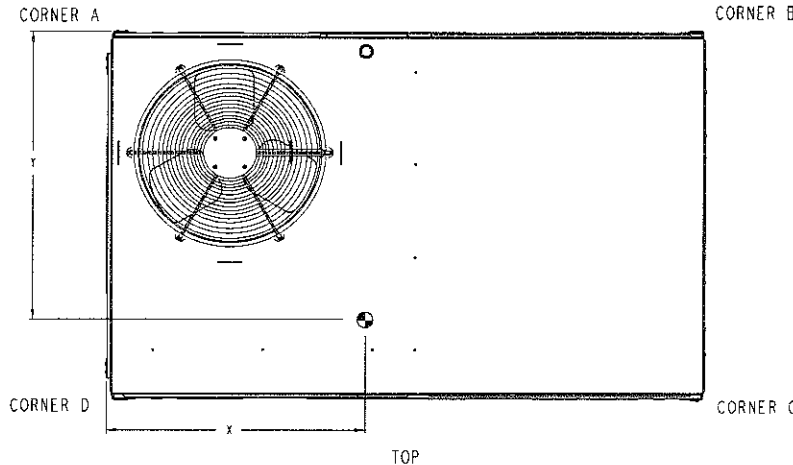
Fig. 1 - Dimensions 48HC 04-06

CURBS & WEIGHTS DIMENSIONS - 48HC 04-06

 UNITED TECHNOLOGIES CARRIER	P. O. BOX 4808 SYRACUSE, NY 13221	THIS DOCUMENT IS THE PROPERTY OF CARRIER CORPORATION AND IS DELIVERED UPON THE EXPRESS CONDITION THAT THE CONTENTS WILL NOT BE DISCLOSED OR USED WITHOUT CARRIER CORPORATION'S WRITTEN CONSENT.	SUBMISSION OF THESE DRAWINGS OR DOCUMENTS DOES NOT CONSTITUTE PART PERFORMANCE OR ACCEPTANCE OF CONTRACT.

UNIT	STD. UNIT WEIGHT		CORNER WEIGHT (A)		CORNER WEIGHT (B)		CORNER WEIGHT (C)		CORNER WEIGHT (D)		C. G.			HEIGHT
	LBS.	KG.	LBS.	KG.	LBS.	KG.	LBS.	KG.	LBS.	KG.	X	Y	Z	
48HC-A04	505	229	124	56	117	53	128	58	136	62	36 1/8 (918)	24 3/8 (619)	19 (483)	
48HC-A05	590	268	151	69	144	65	144	65	151	69	36 1/4 (921)	23 3/8 (594)	20 1/8 (511)	
48HC-A06	600	271	156	71	145	66	144	65	155	70	35 7/8 (911)	23 1/4 (591)	19 1/2 (495)	

* - STANDARD UNIT WEIGHT IS WITH LOW GAS HEAT AND WITHOUT PACKAGING. FOR OTHER OPTINS AND ACCESSORIES REFER TO THE PRODUCT DATA CATALOG



SHEET 2 OF 2	DATE 01/14/10	SUPERCEDES 10/12/09	48HC 04-06 SINGLE ZONE ELECTRICAL COOLING WITH GAS HEAT	48TM502588	REV A
-----------------	------------------	------------------------	--	------------	----------

Fig. 2 - Dimensions 48HC 04-06

CURBS & WEIGHTS DIMENSIONS - 48HC 04-06 (cont.)

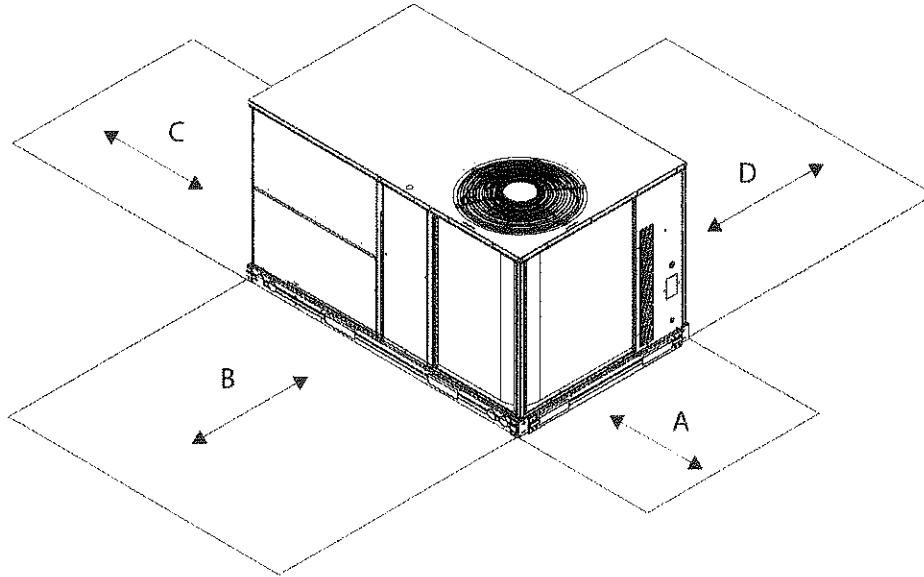


Fig. 3 - Service Clearance

C08937

LOC	DIMENSION	CONDITION
A	48-in (1219 mm)	Unit disconnect is mounted on panel
	18-in (457 mm)	No disconnect, convenience outlet option
	18-in (457 mm)	Recommended service clearance
	12-in (305 mm)	Minimum clearance
B	42-in (1067 mm)	Surface behind servicer is grounded (e.g., metal, masonry wall)
	36-in (914 mm)	Surface behind servicer is electrically non-conductive (e.g., wood, fiberglass)
	Special	Check for sources of flue products within 10-ft of unit fresh air intake hood
C	36-in (914 mm)	Side condensate drain is used
	18-in (457 mm)	Minimum clearance
D	48-in (1219 mm)	No flue discharge accessory installed, surface is combustible material
	42-in (1067 mm)	Surface behind servicer is grounded (e.g., metal, masonry wall, another unit)
	36-in (914 mm)	Surface behind servicer is electrically non-conductive (e.g., wood, fiberglass)
	Special	Check for adjacent units or building fresh air intakes within 10-ft of this unit's flue outlet

NOTE: Unit not designed to have overhead obstruction. Contact Application Engineering for guidance on any application planning overhead obstruction or for vertical clearances.