

1 EXISTING/ DEMOLITION ROOF PLAN

1/8" = 1'-0"

GRAPHIC LEGEND

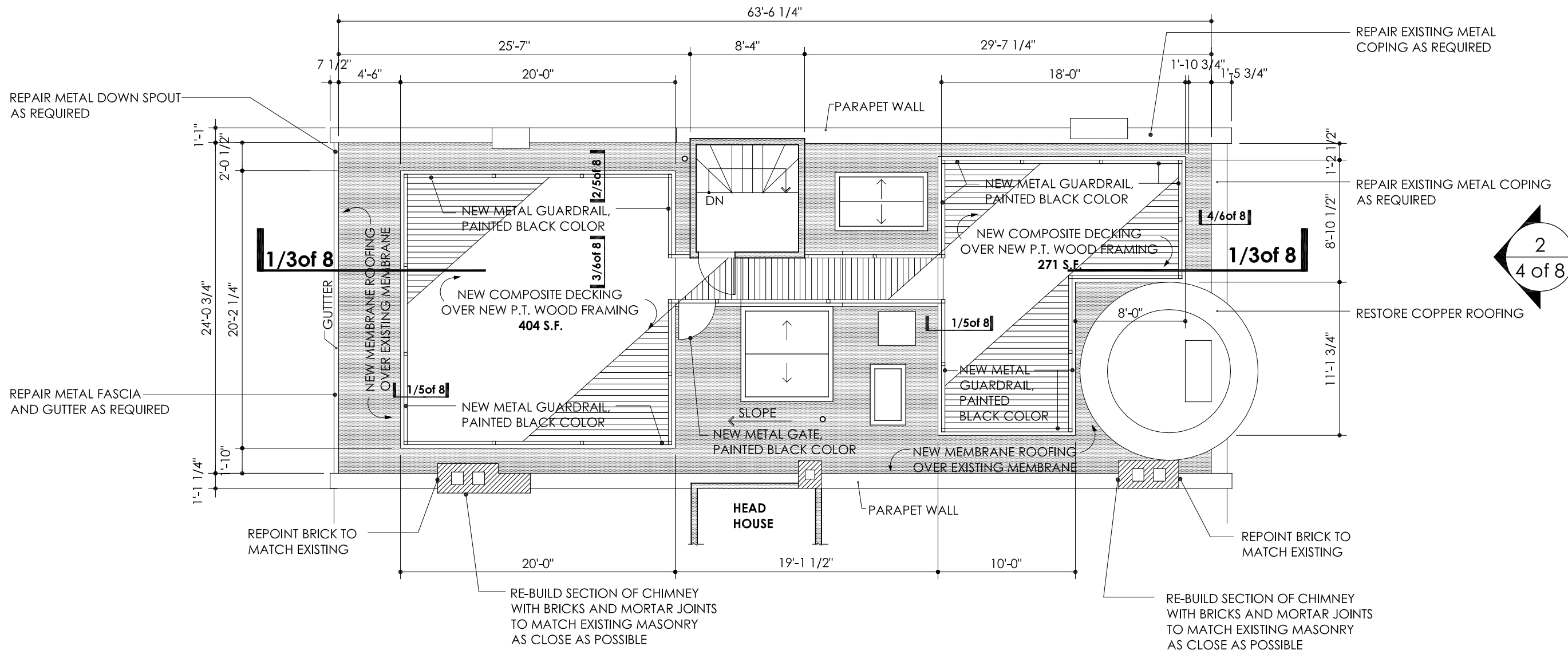
- EXISTING WALLS TO REMAIN
- EXISTING ROOFING MEMBRANE

Roof Deck Replacement

117 Saint Botolph Street, Boston, MA

Client: **117 St. Botolph Street Condominium**
117 Saint Botolph Street
BOSTON, MA 02115

Architect: **ARTIOS ARCHITECTS**
 4 KILCOMMONS DRIVE, UNIT #11
 PEMBROKE, MA 02359



1 PROPOSED ROOF PLAN

1/8" = 1'-0"

GRAPHIC LEGEND

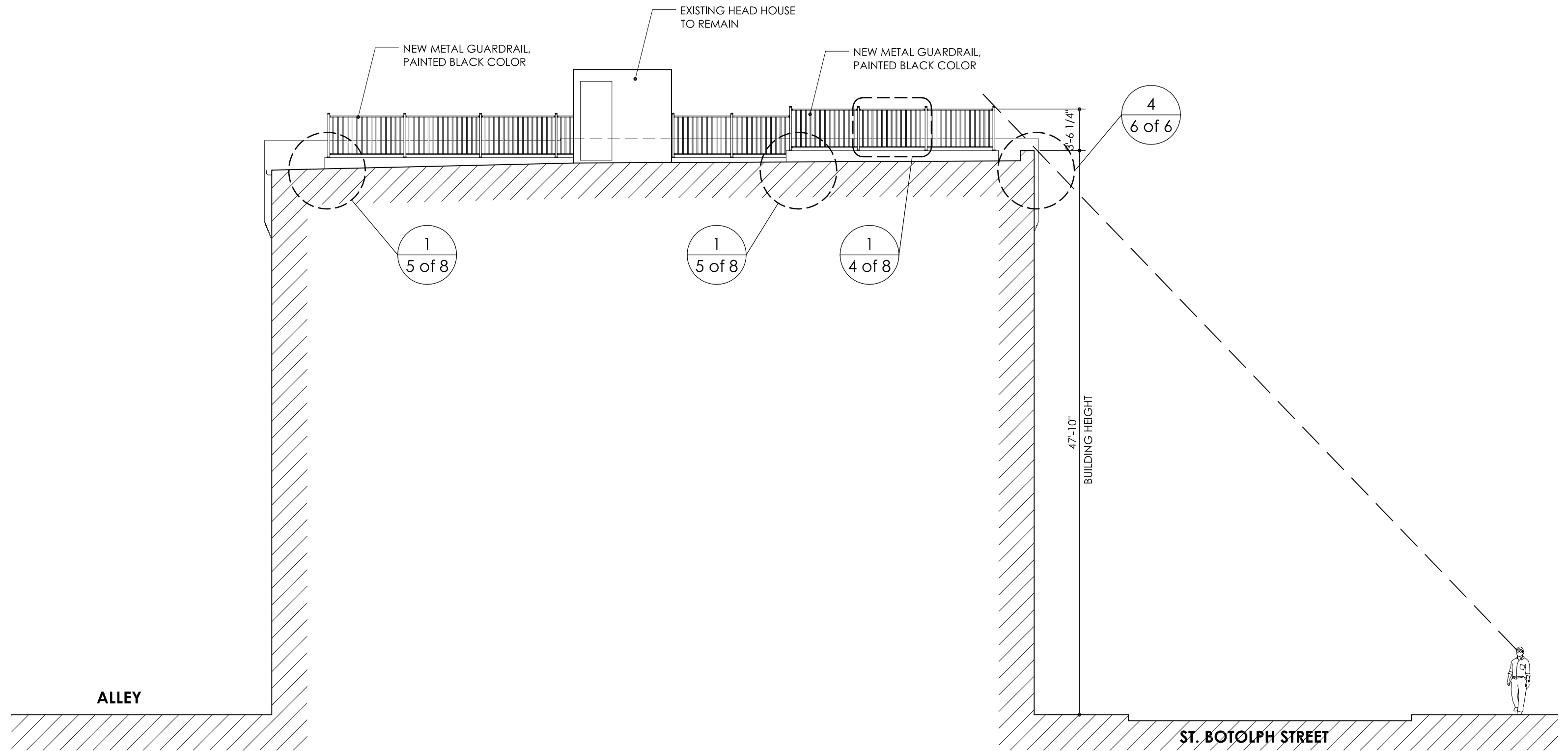
-  EXISTING WALLS TO REMAIN
-  NEW COMPOSITE DECKING
-  NEW ROOFING MEMBRANE

Roof Deck Replacement

117 Saint Botolph Street, Boston, MA

Client: **117 St. Botolph Street Condominium**
117 Saint Botolph Street
BOSTON, MA 02115

Architect: **ARTIOS ARCHITECTS**
 4 KILCOMMONS DRIVE, UNIT #11
 PEMBROKE, MA 02359



1 BUILDING/ SITE SECTION

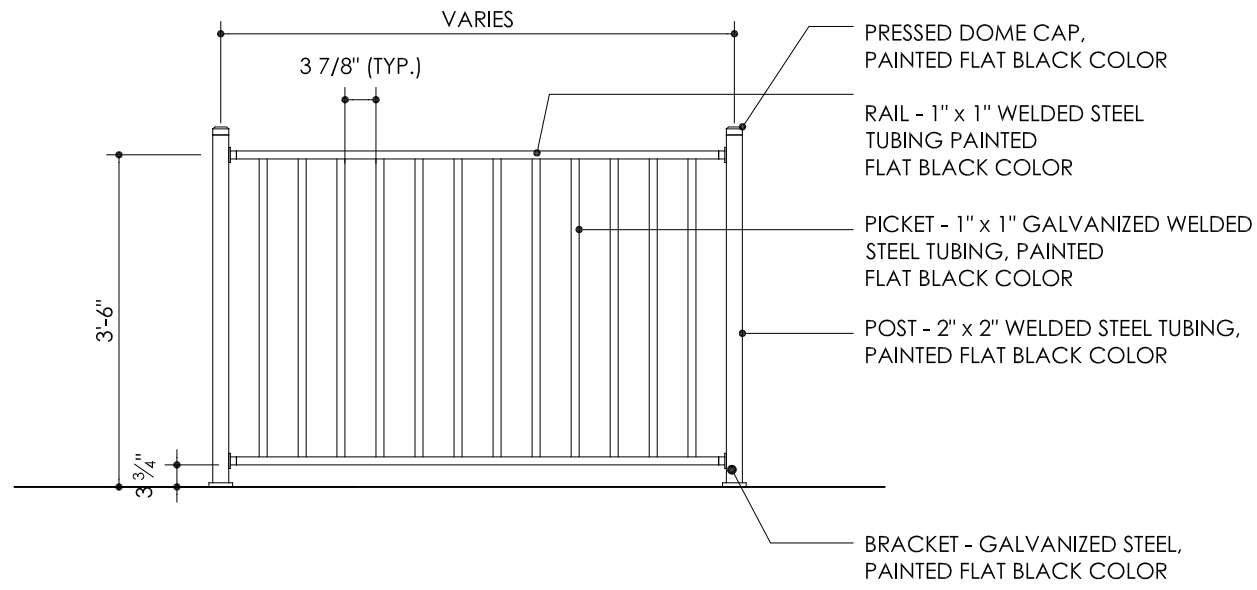
1/8" = 1'-0"

Roof Deck Replacement

117 Saint Botolph Street, Boston, MA

Client: **117 St. Botolph Street Condominium**
117 Saint Botolph Street
BOSTON, MA 02115

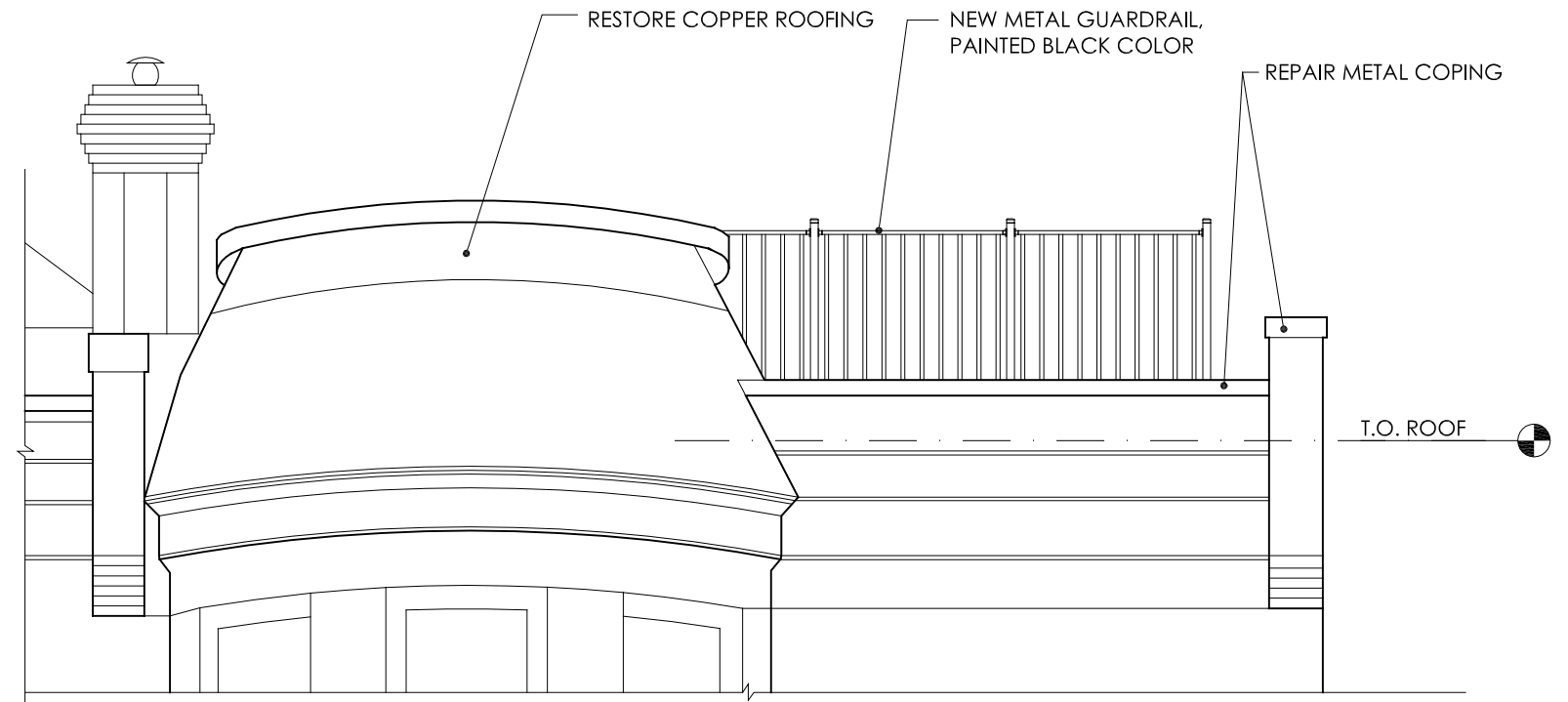
Architect: **ARTIOS ARCHITECTS**
 4 KILCOMMONS DRIVE, UNIT #11
 PEMBROKE, MA 02359



1 DECK GUARD RAIL PANEL

1/2" = 1'-0"

MANUFACTURER - FORTRESS RAILING PRODUCTS
 MODEL - FE 26 IRON RAILING
 FASTENERS - ALL NUTS, BOLTS, SCREWS
 AND WASHERS SHALL BE STAINLESS STEEL



2 PARTIAL FRONT ELEVATION

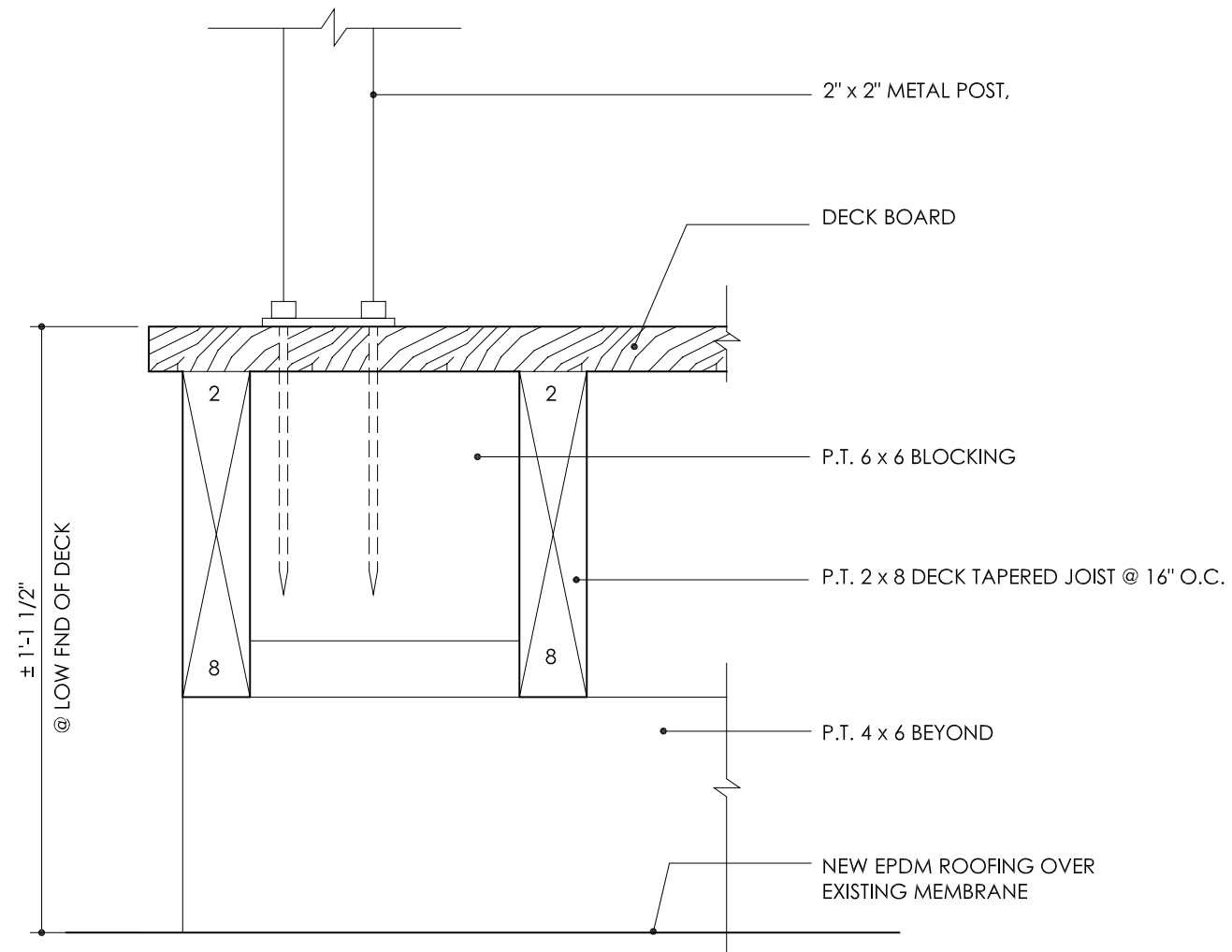
1/4" = 1'-0"

Roof Deck Replacement

117 Saint Botolph Street, Boston, MA

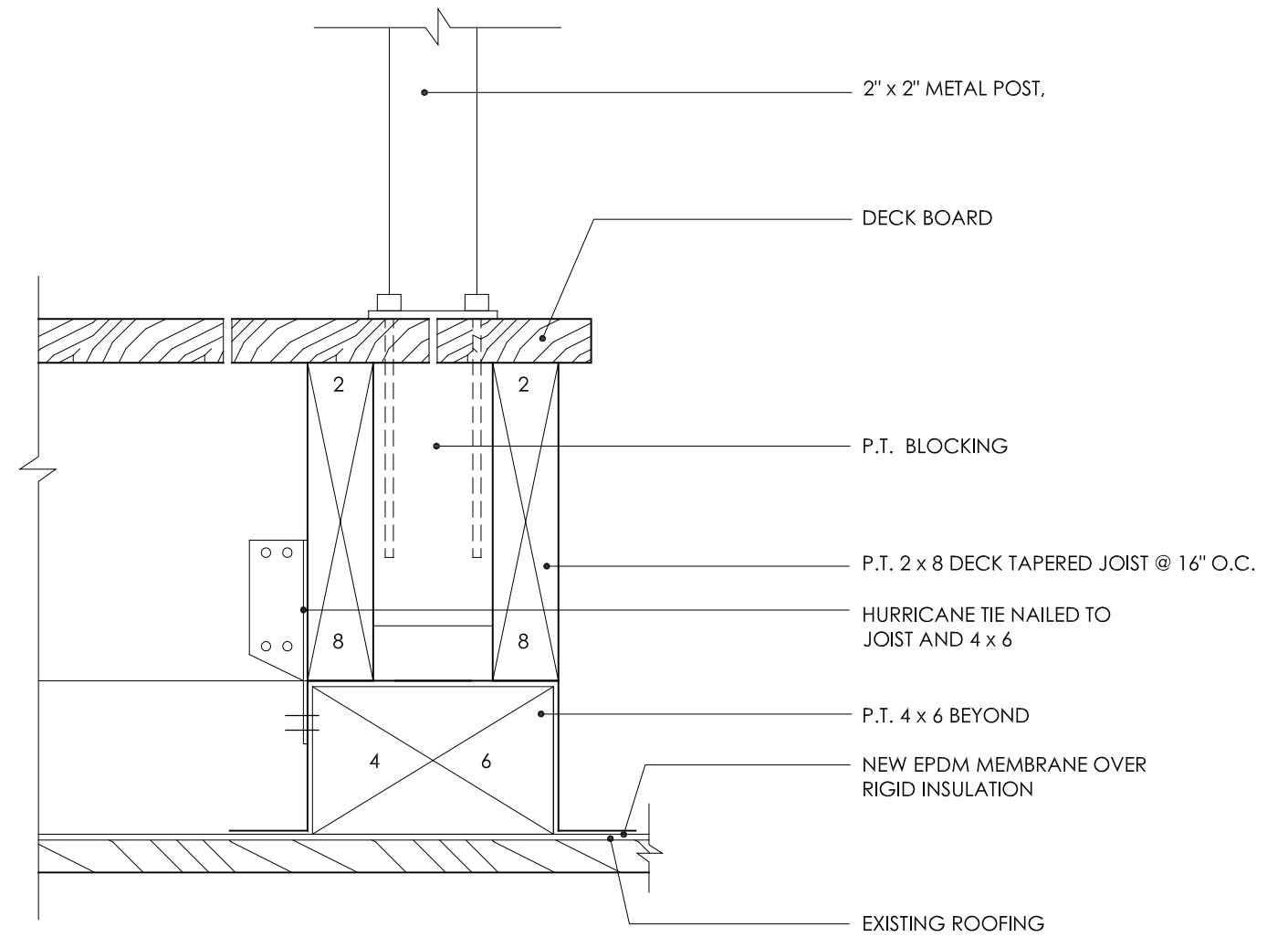
Client: **117 St. Botolph Street Condominium**
117 Saint Botolph Street
BOSTON, MA 02115

Architect: **ARTIOS ARCHITECTS**
 4 KILCOMMONS DRIVE, UNIT #11
 PEMBROKE, MA 02359



DETAIL 1

3" = 1'-0"



DETAIL 2

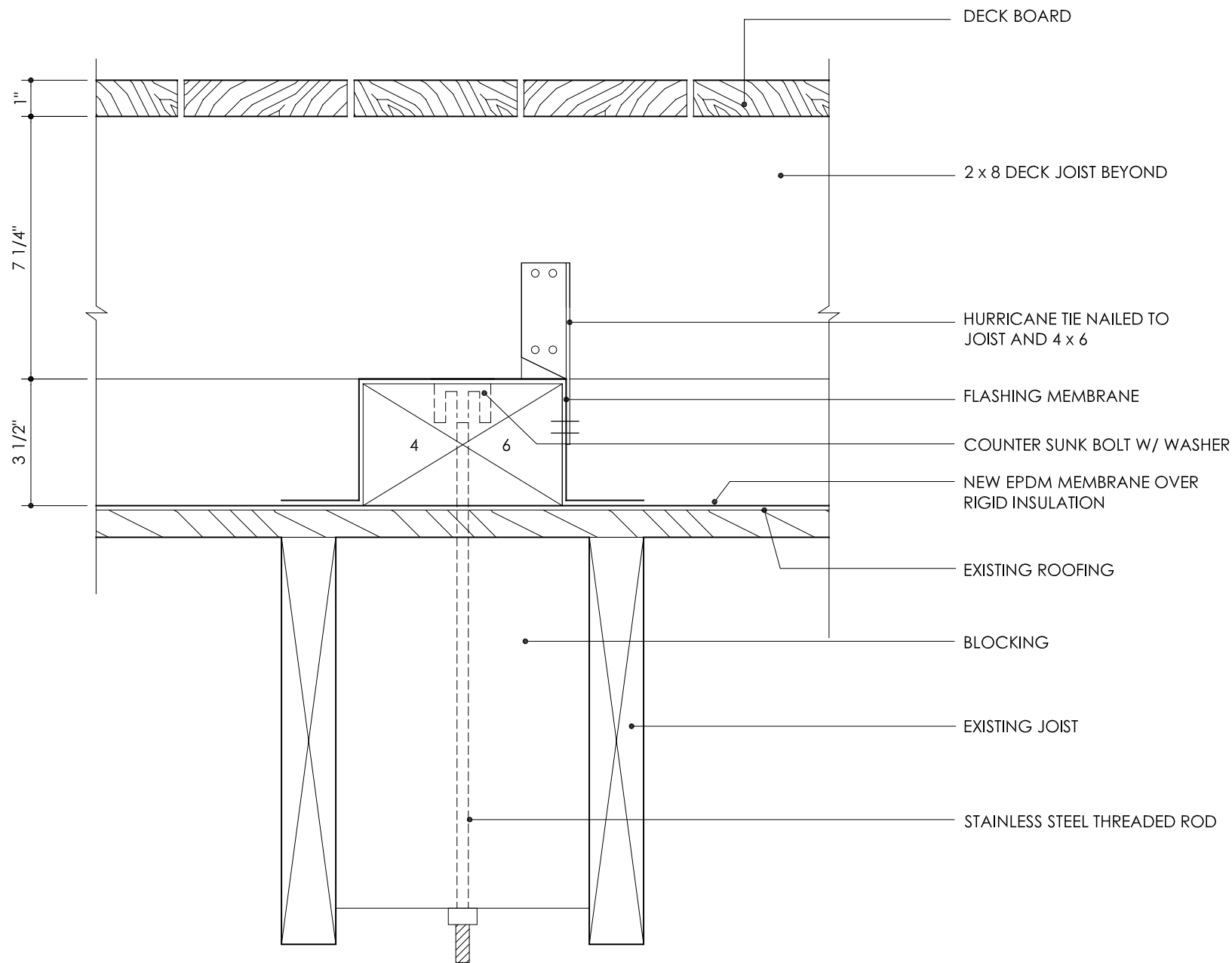
3" = 1'-0"

Roof Deck Replacement

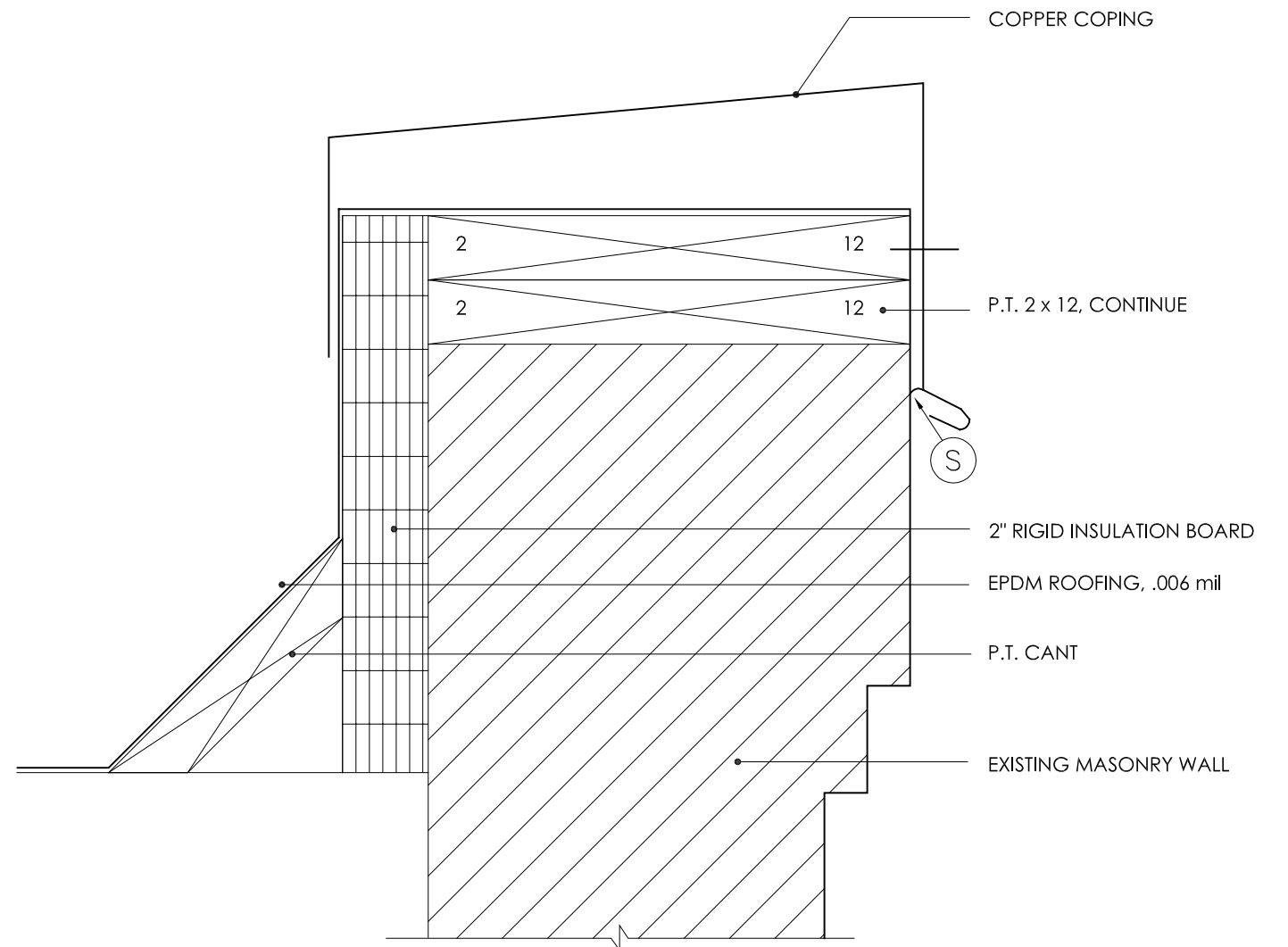
117 Saint Botolph Street, Boston, MA

Client: **117 St. Botolph Street Condominium**
117 Saint Botolph Street
BOSTON, MA 02115

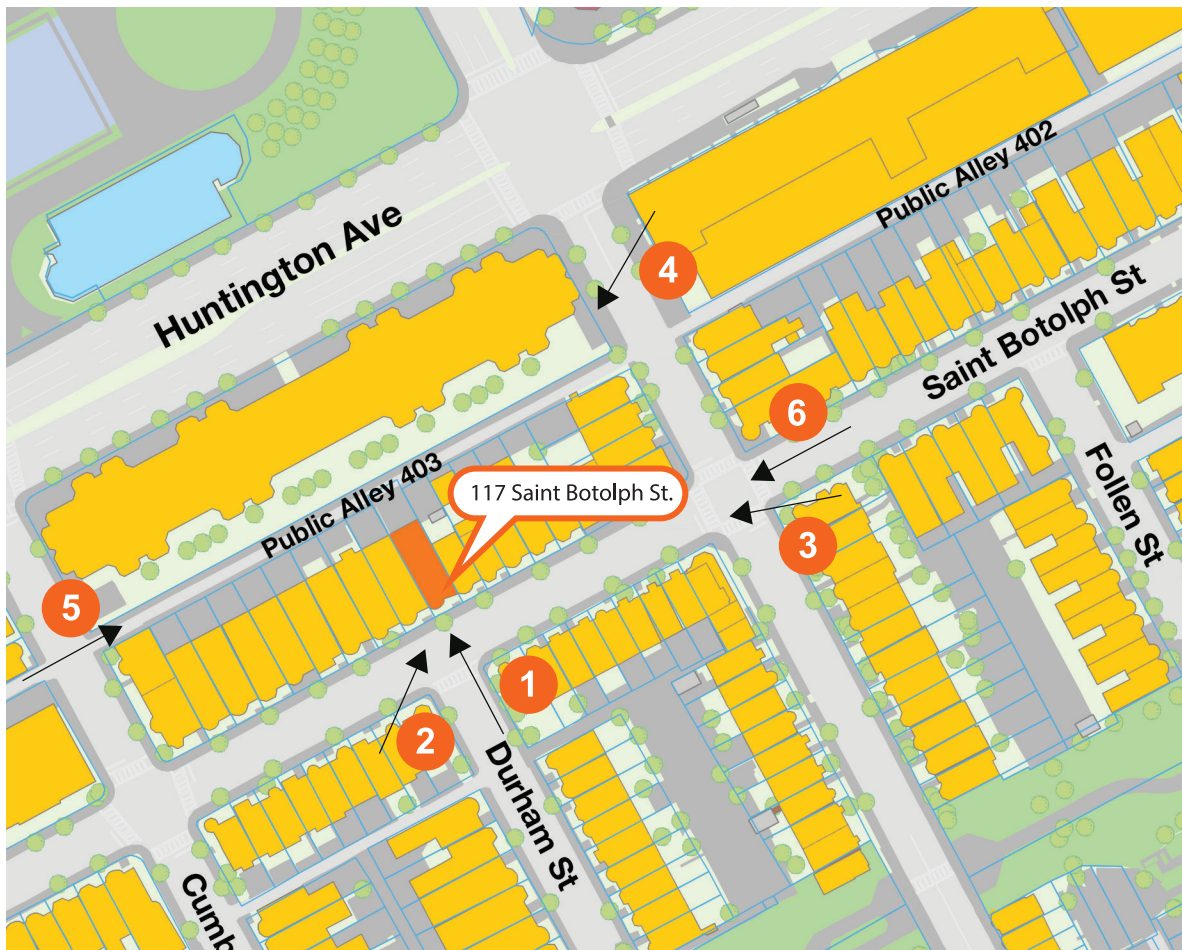
Architect: **ARTIOS ARCHITECTS**
 4 KILCOMMONS DRIVE, UNIT #11
 PEMBROKE, MA 02359

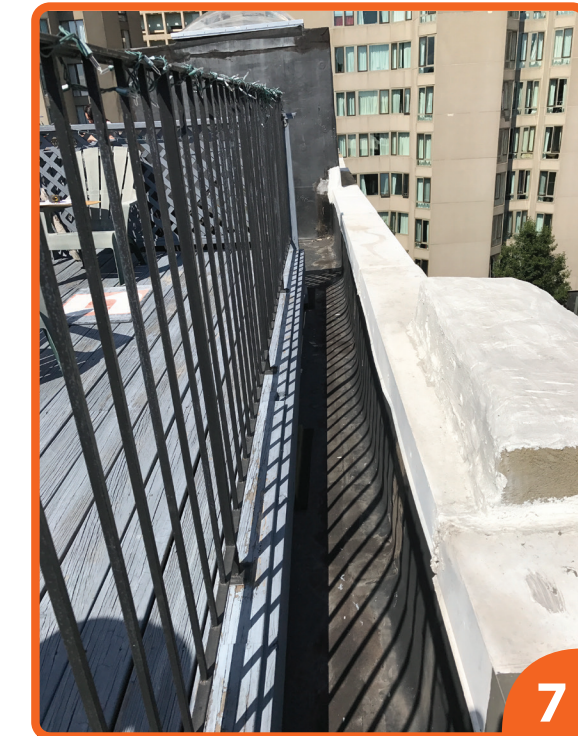
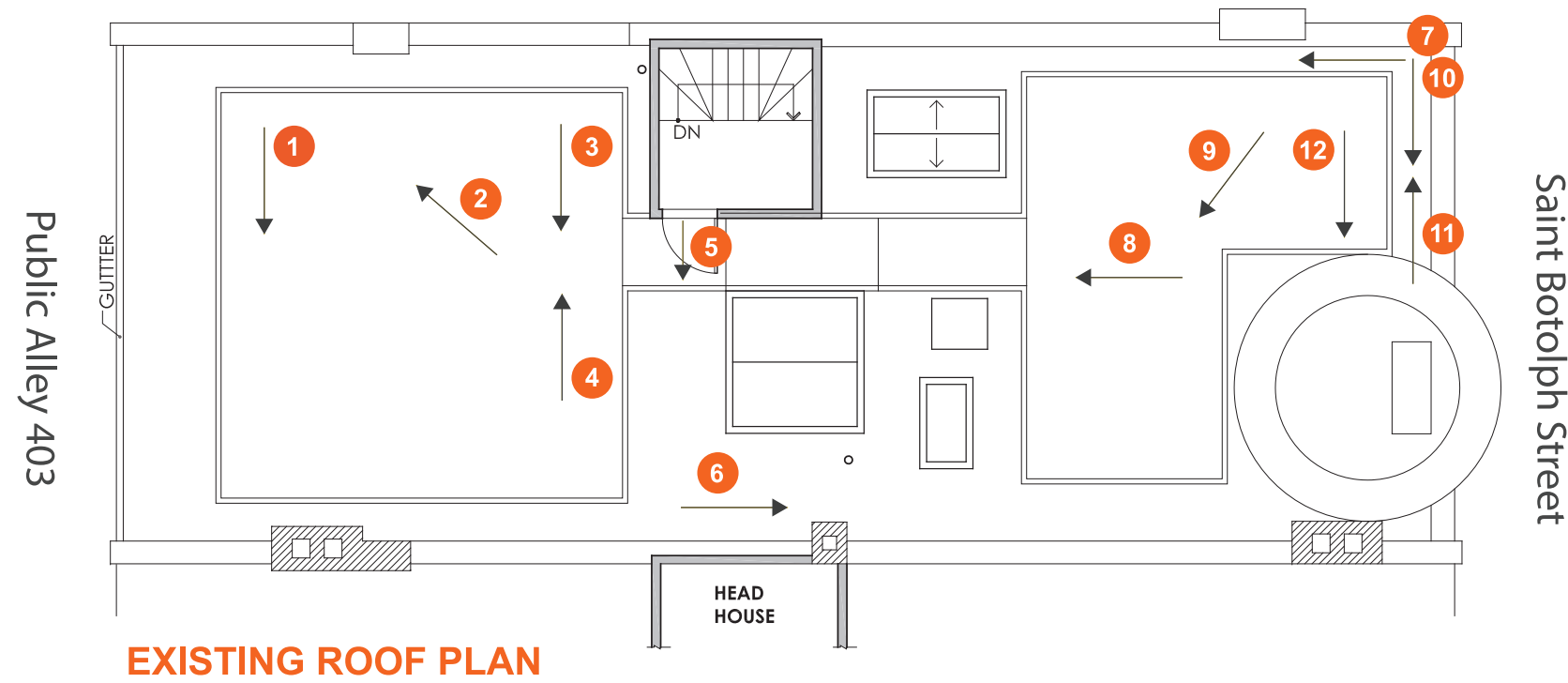


DETAIL 3
3" = 1'-0"



**EXISTING
DETAIL 4 @ PARAPET**
3" = 1'-0"





Front & Middle Chimney



Rear Chimney



Rear Chimney Detail

Middle Chimney Detail

