

BOSTON LANDMARKS COMMISSION  
DESIGN REVIEW APPLICATION

15 Chestnut Street  
Boston, MA 02108

JUNE 26, 2017

# EXISTING CONDITIONS



FRONT FACADE

BOSTON LANDMARKS COMMISSION  
DESIGN REVIEW APPLICATION

15 Chestnut Street  
Boston, MA 02108

JUNE 26, 2017

# EXISTING CONDITIONS



FRONT FACADE

BOSTON LANDMARKS COMMISSION  
DESIGN REVIEW APPLICATION

15 Chestnut Street  
Boston, MA 02108

JUNE 26, 2017

# EXISTING CONDITIONS



FRONT FACADE

BOSTON LANDMARKS COMMISSION  
DESIGN REVIEW APPLICATION

15 Chestnut Street  
Boston, MA 02108

JUNE 26, 2017

# EXISTING CONDITIONS



REAR FACADE

15 Chestnut Street  
Boston, MA 02108

JUNE 26, 2017

## EXISTING CONDITIONS

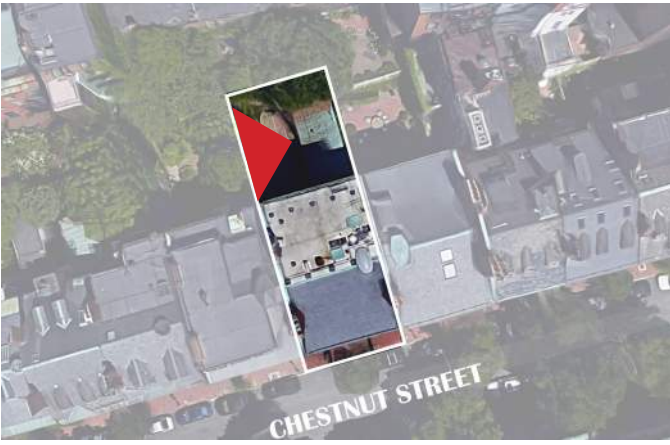


REAR FACADE

15 Chestnut Street  
Boston, MA 02108

JUNE 26, 2017

## EXISTING CONDITIONS



REAR SHUTTERS TO BE REMOVED

BOSTON LANDMARKS COMMISSION  
DESIGN REVIEW APPLICATION

15 Chestnut Street  
Boston, MA 02108

JUNE 26, 2017

# EXISTING CONDITIONS



15 Chestnut Street  
Boston, MA 02108

JUNE 26, 2017

## EXISTING CONDITIONS



FRONT STAIR PERSPECTIVE - EXISTING

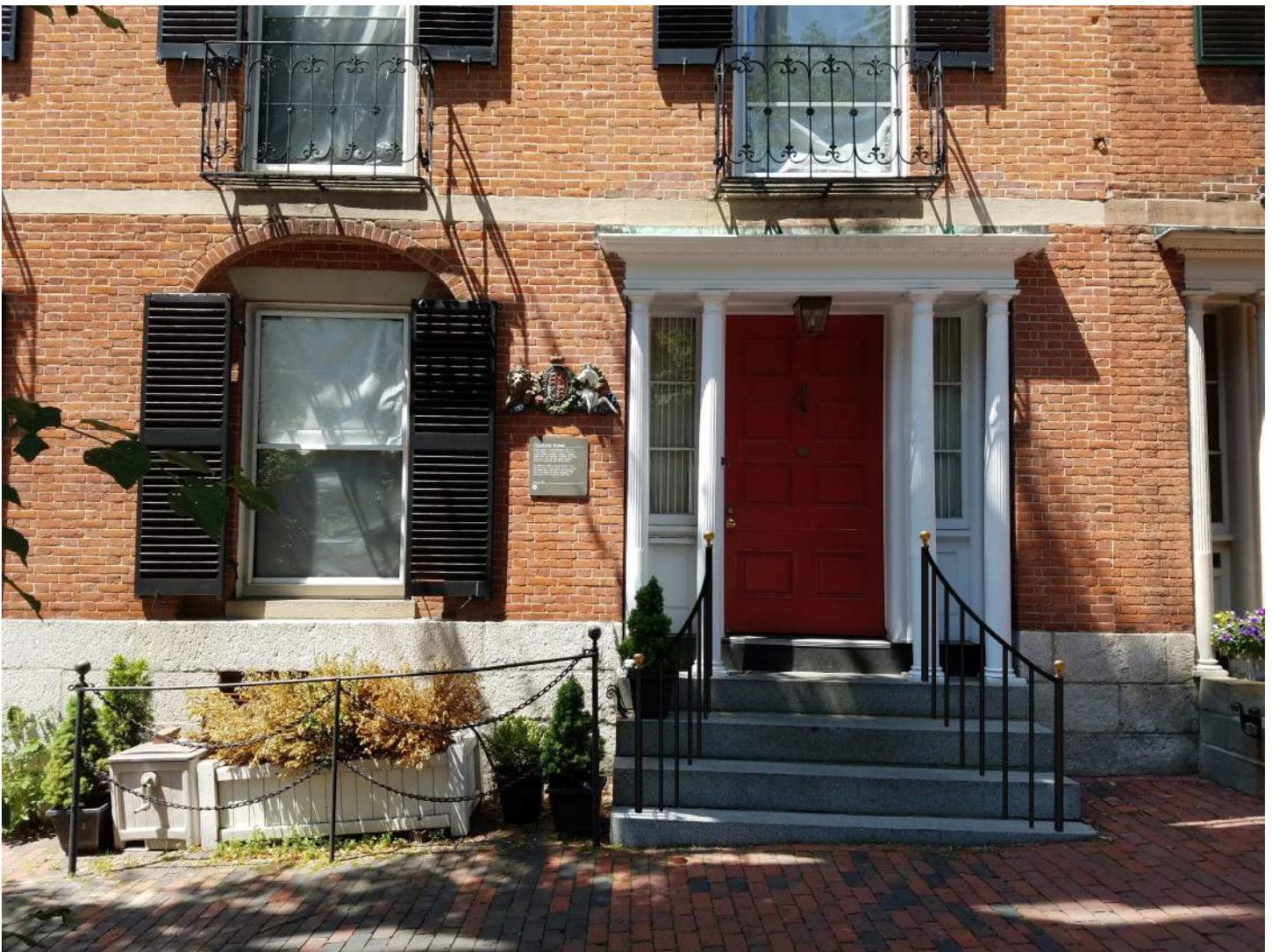


BOSTON LANDMARKS COMMISSION  
DESIGN REVIEW APPLICATION

15 Chestnut Street  
Boston, MA 02108

JUNE 26, 2017

# PROPOSED RAILING



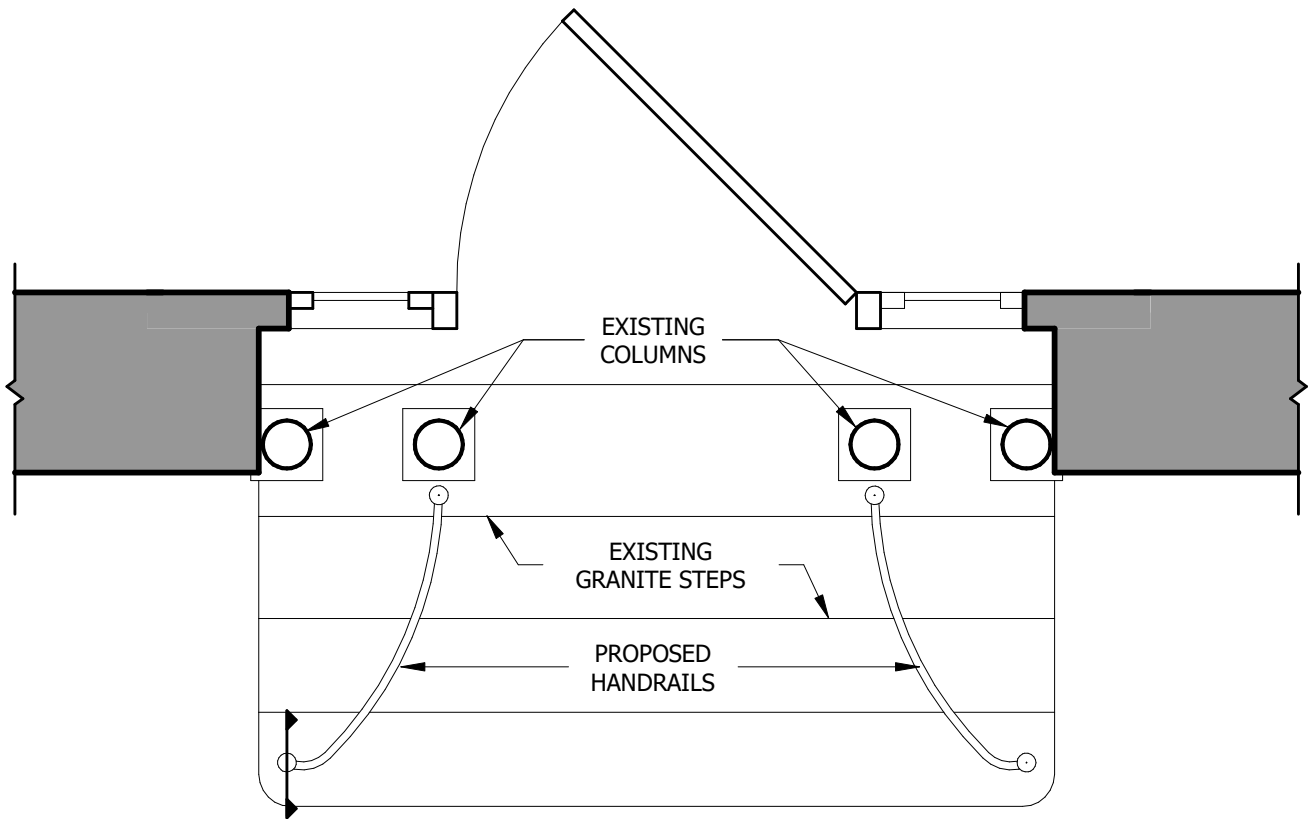
15 Chestnut Street  
Boston, MA 02108

JUNE 26, 2017

## PROPOSED RAILING



# PROPOSED RAILING

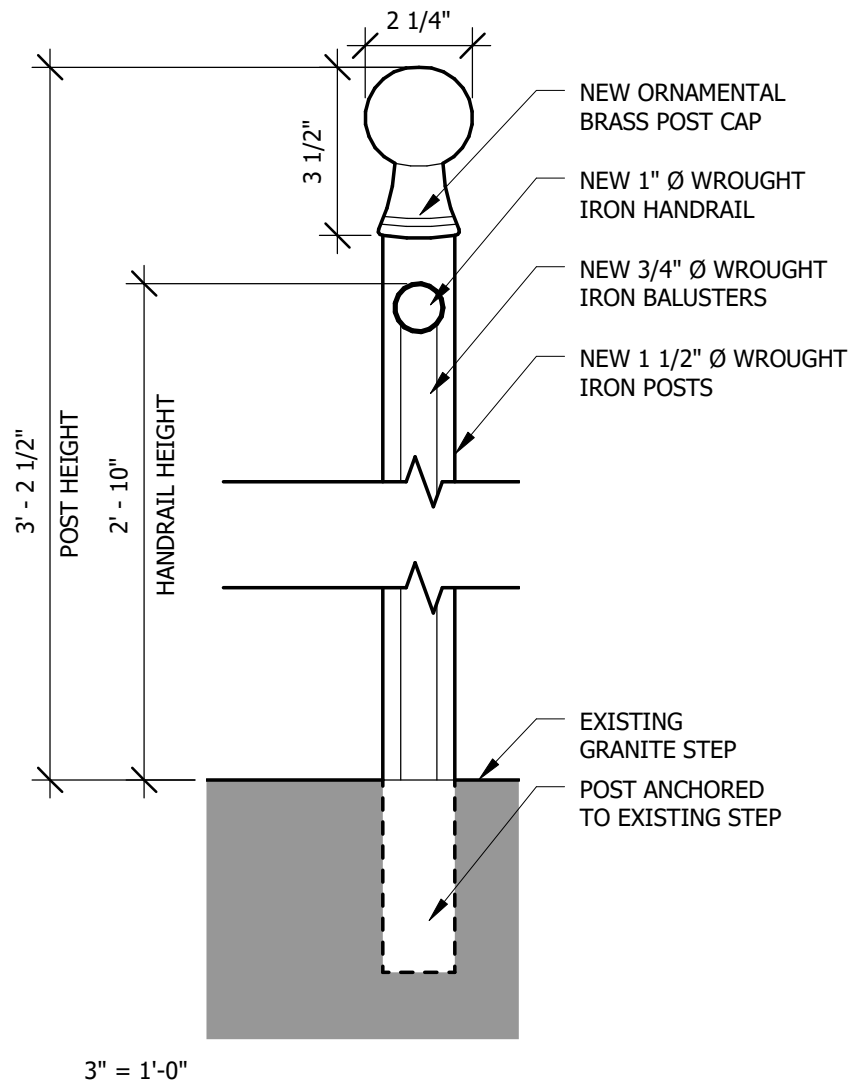


1/2" = 1'-0"

15 Chestnut Street  
Boston, MA 02108

JUNE 26, 2017

# PROPOSED RAILING



15 Chestnut Street  
Boston, MA 02108

JUNE 26, 2017



## EXISTING CONDITIONS



FRONT DOOR TO BE REPAINTED

# EXISTING CONDITIONS



EXISTING RTU TO BE REMOVED

15 Chestnut Street  
Boston, MA 02108

JUNE 26, 2017

## EXISTING CONDITIONS



EXISTING RTU TO BE REMOVED