

BOSTON WHARF CO.
INDUSTRIAL
REAL ESTATE



GENERAL ELECTRIC



GE HEADQUARTERS PROJECT

Necco Court Bridge Design

June 8, 2017

Gensler

NECCO COURT BRIDGE **TABLE OF CONTENTS**

- 1.** HISTORIC PHOTOS
- 2.** TIMELINE
- 3.** EXISTING CONDITIONS
- 4.** STRUCTURAL ASSUMPTIONS
- 5.** PROPOSED DESIGN APPROACHES



NECCO COURT BRIDGE HISTORIC PHOTO - VIEW FROM NECCO STREET



NECCO COURT BRIDGE **HISTORIC PHOTO - AERIAL PHOTO FROM WEST**



NECCO COURT BRIDGE **TIMELINE**

- 1907** Bridge built over Necco Court
- ca. 1990** Corrugated metal skin replaced on western facade
- 2011** Fire at Necco Court Bridge
- 2012** Structural repair work at Necco Court Bridge



EXISTING CONDITIONS



NECCO COURT BRIDGE **EXISTING PHOTO** - VIEW FROM NECCO STREET



NECCO COURT BRIDGE EXISTING PHOTO - VIEW FROM HARBOR WALK



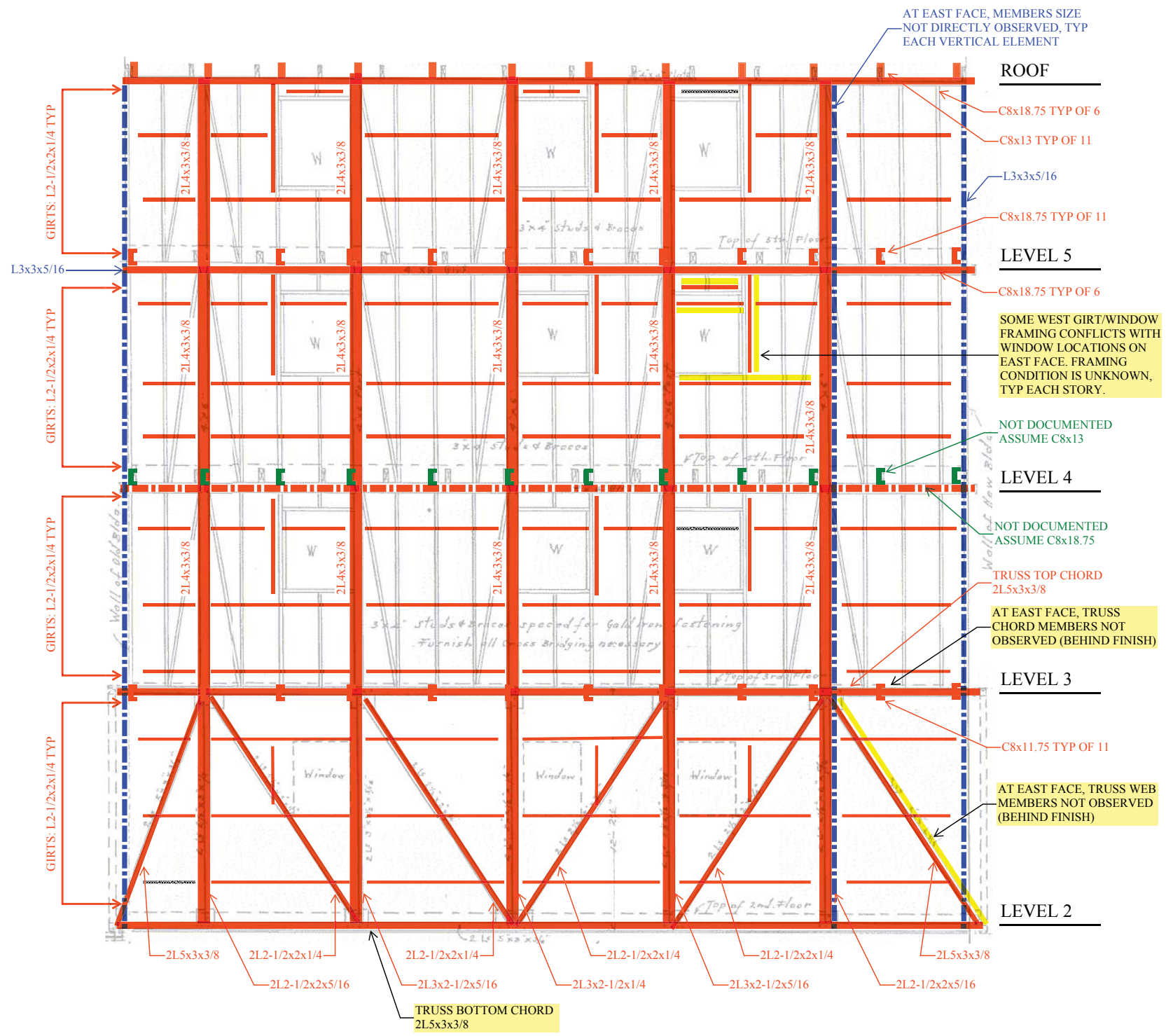
NECCO COURT BRIDGE EXISTING PHOTOS - INTERIOR



STRUCTURAL ASSUMPTIONS



NECCO COURT BRIDGE CURRENT STRUCTURE



LEGEND	
	LIGHT GRAY BACKGROUND IS ORIGINATED FROM THE 1907 DRAWINGS OF THE EXISTING BUILDING, SEE DRAWING NOTE #1.
	OBSERVED IN THE FIELD - APPEARS CONSISTENT WITH DOCUMENTED (SIMILAR) MEMBER SIZE
	OBSERVED IN THE FIELD - FRAMING MEMBER DOES NOT MATCH MATERIAL, SIZE AND/OR SHAPE AS DOCUMENTED
	NOT OBSERVED IN THE FIELD - ASSUMED CONSISTENT WITH SYMMETRIC OBSERVED AND DOCUMENTED MEMBER SIZE
	NOT OBSERVED IN THE FIELD - ASSUMED CONSISTENT WITH DOCUMENTED MEMBER SIZE
	SOME INFORMATION KNOWN, REQUIRES VERIFICATION
	NO KNOWN INFORMATION, REQUIRES SURVEY
	SOME INFORMATION KNOWN, REQUIRES VERIFICATION
	SOME INFORMATION KNOWN, REQUIRES VERIFICATION

NECCO COURT BRIDGE - WEST ELEVATION LOOKING EAST (EAST ELEVATION IS OPPOSITE HAND)

SCALE: 1/4" = 1'-0"±

NOTE: ALL STRUCTURAL ELEMENTS SHOWN HERE ARE FROM THE WEST ELEVATION, EXCEPT AS NOTED.



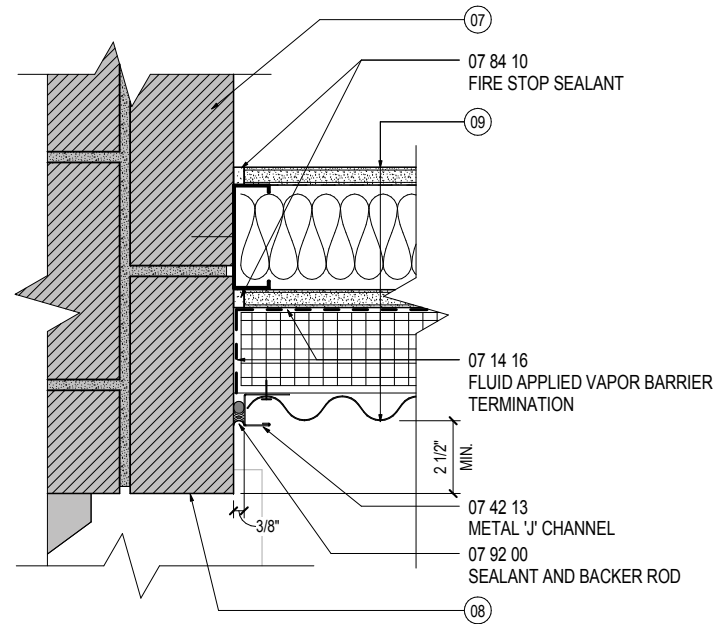
PROPOSED DESIGN



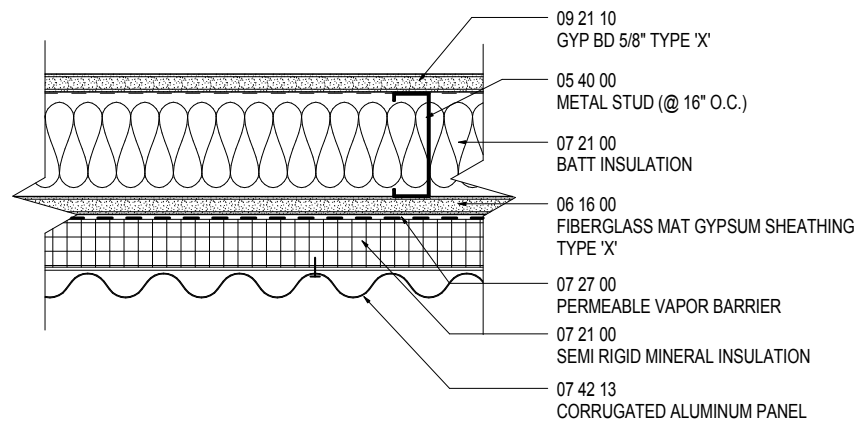
NECCO COURT BRIDGE **VIEW FROM NECCO STREET**



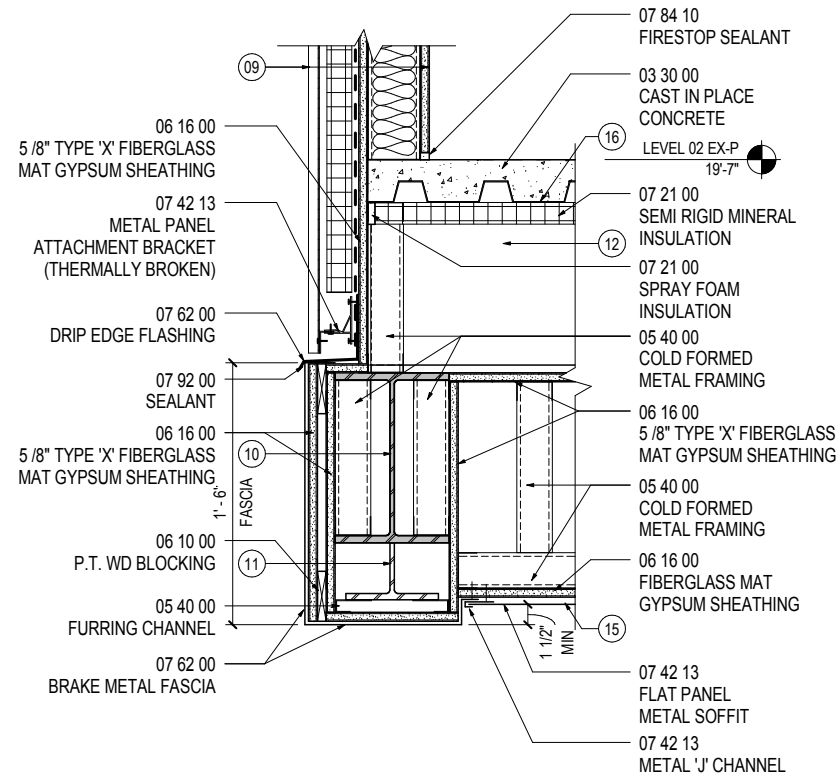
NECCO COURT BRIDGE EAST FACADE TYPICAL DETAILS



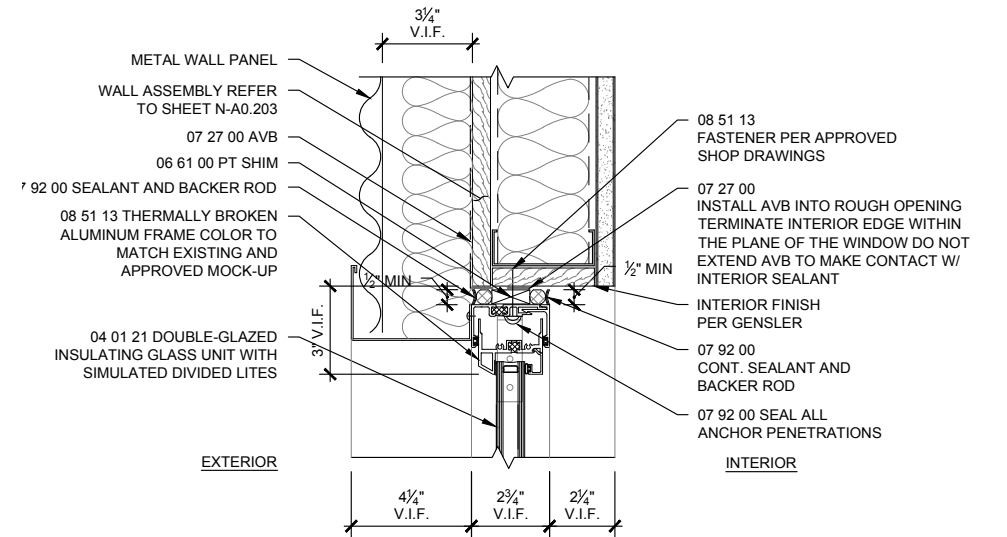
PLAN DETAIL AT SOUTHEAST CORNER



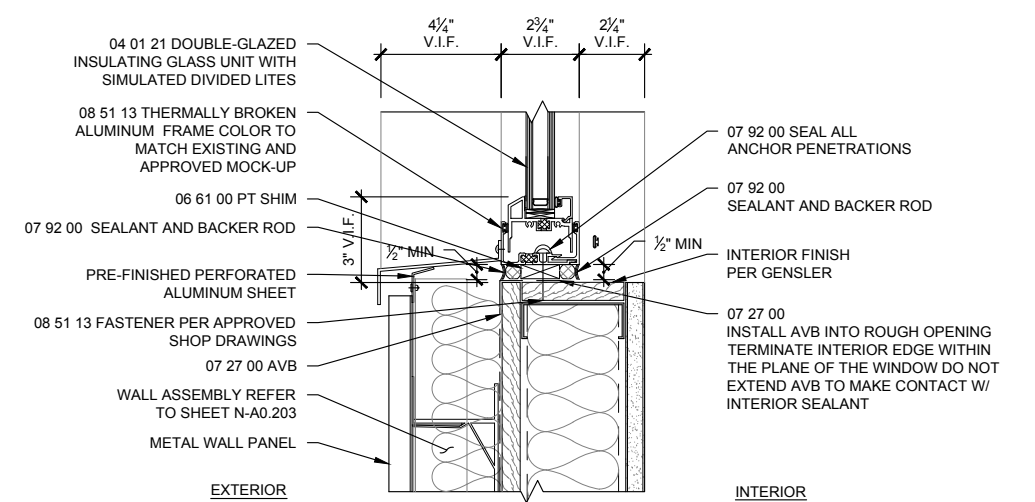
TYPICAL WALL ASSEMBLY DETAIL



PLAN DETAIL AT SOUTHEAST CORNER

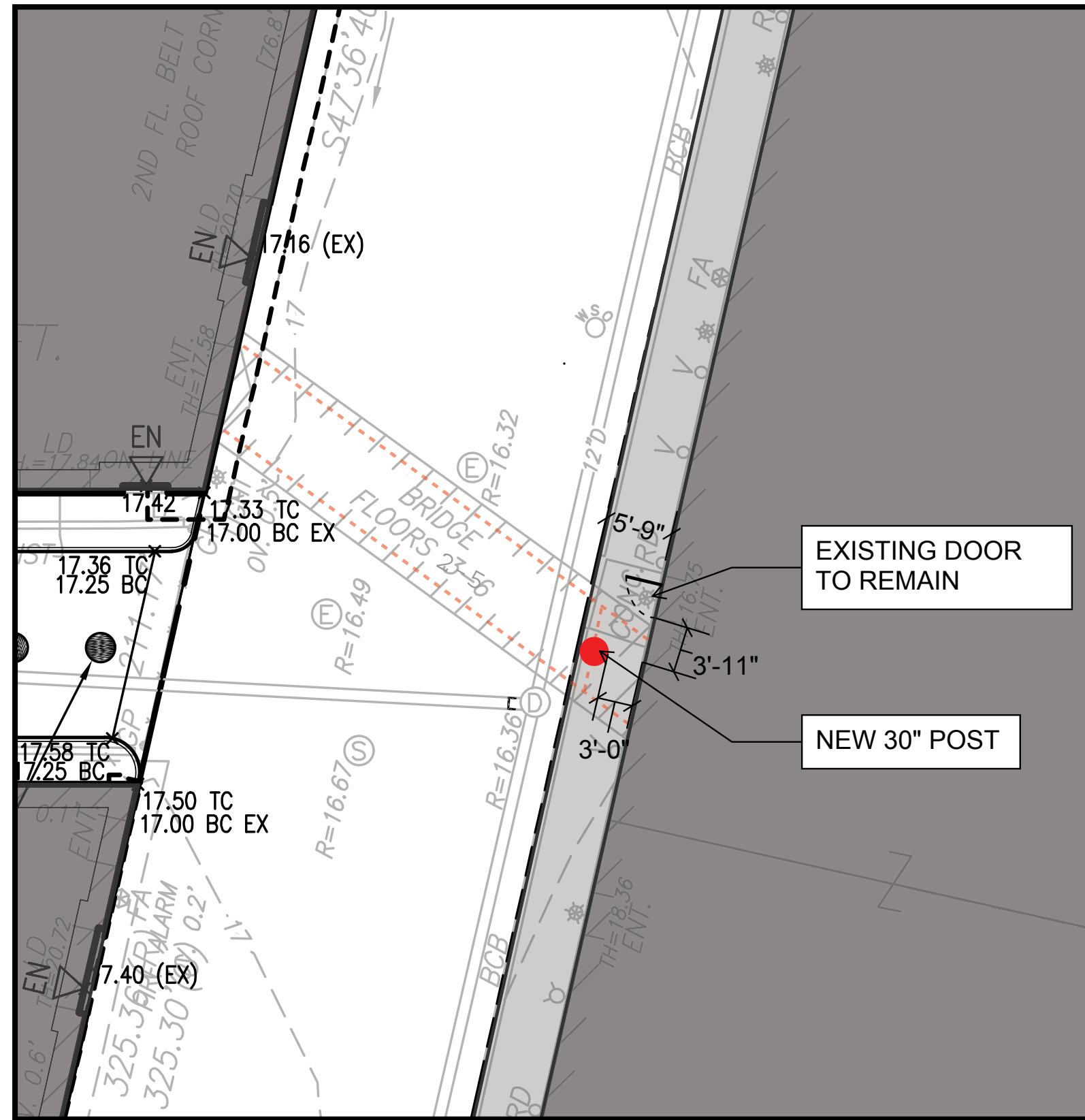
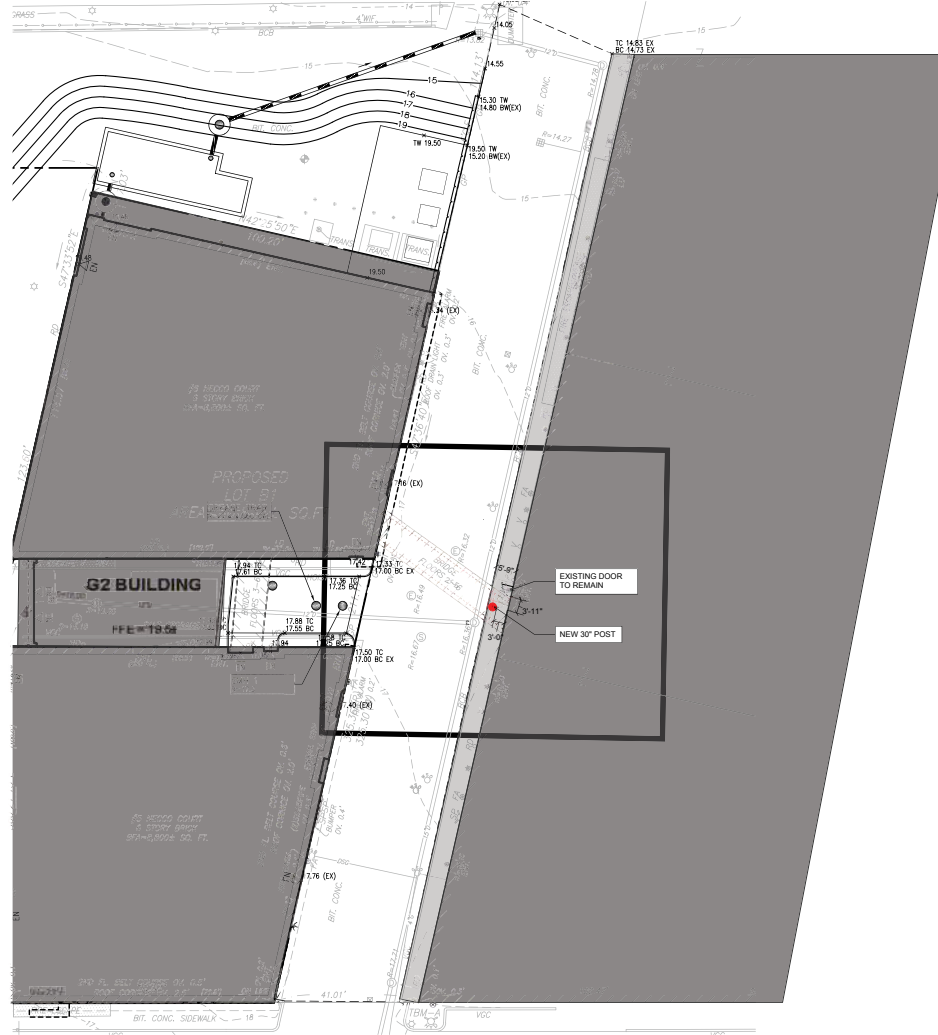


WINDOW JAMB DETAIL

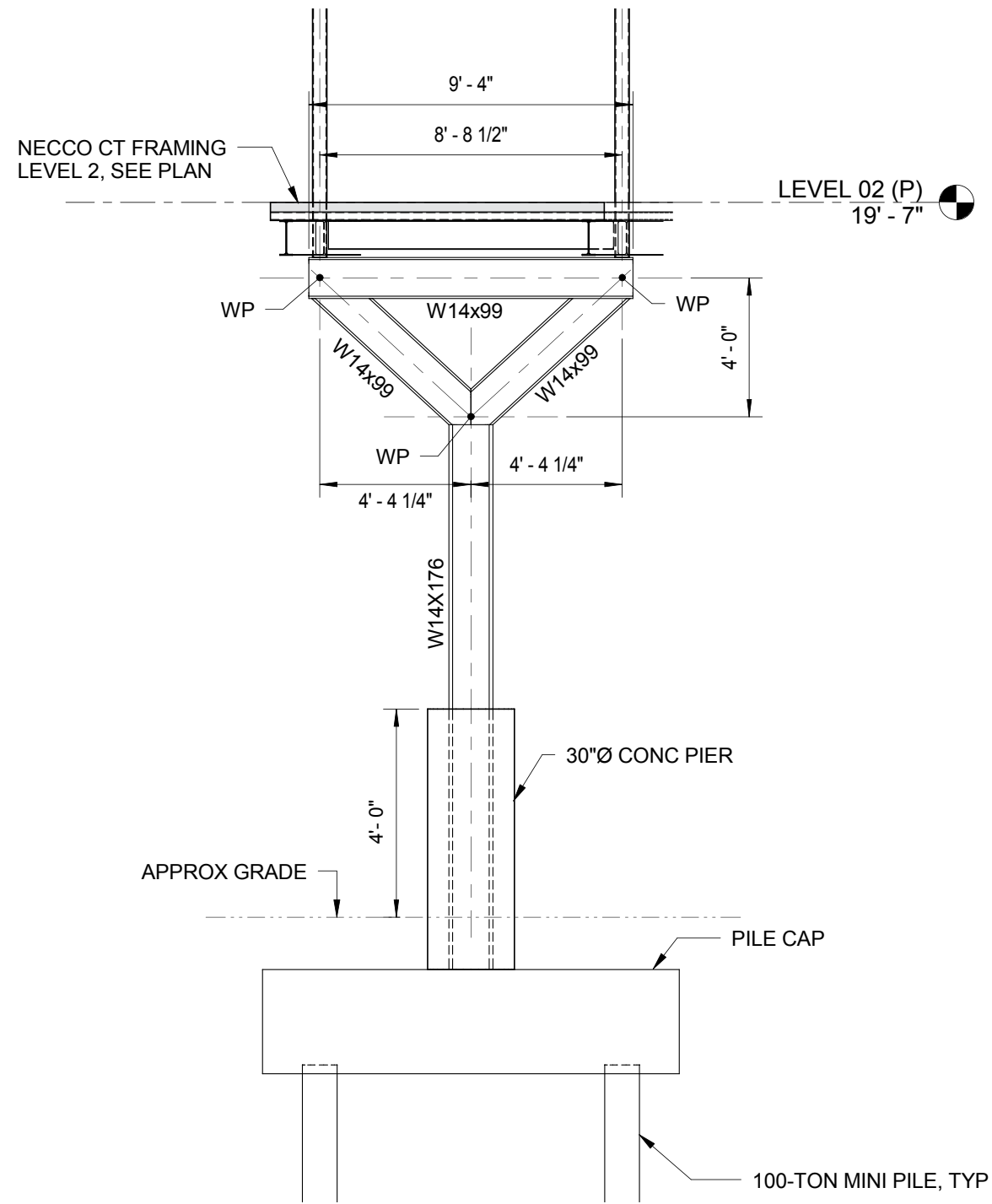


WINDOW SILL DETAIL

NECCO COURT BRIDGE PROPOSED SITE PLAN

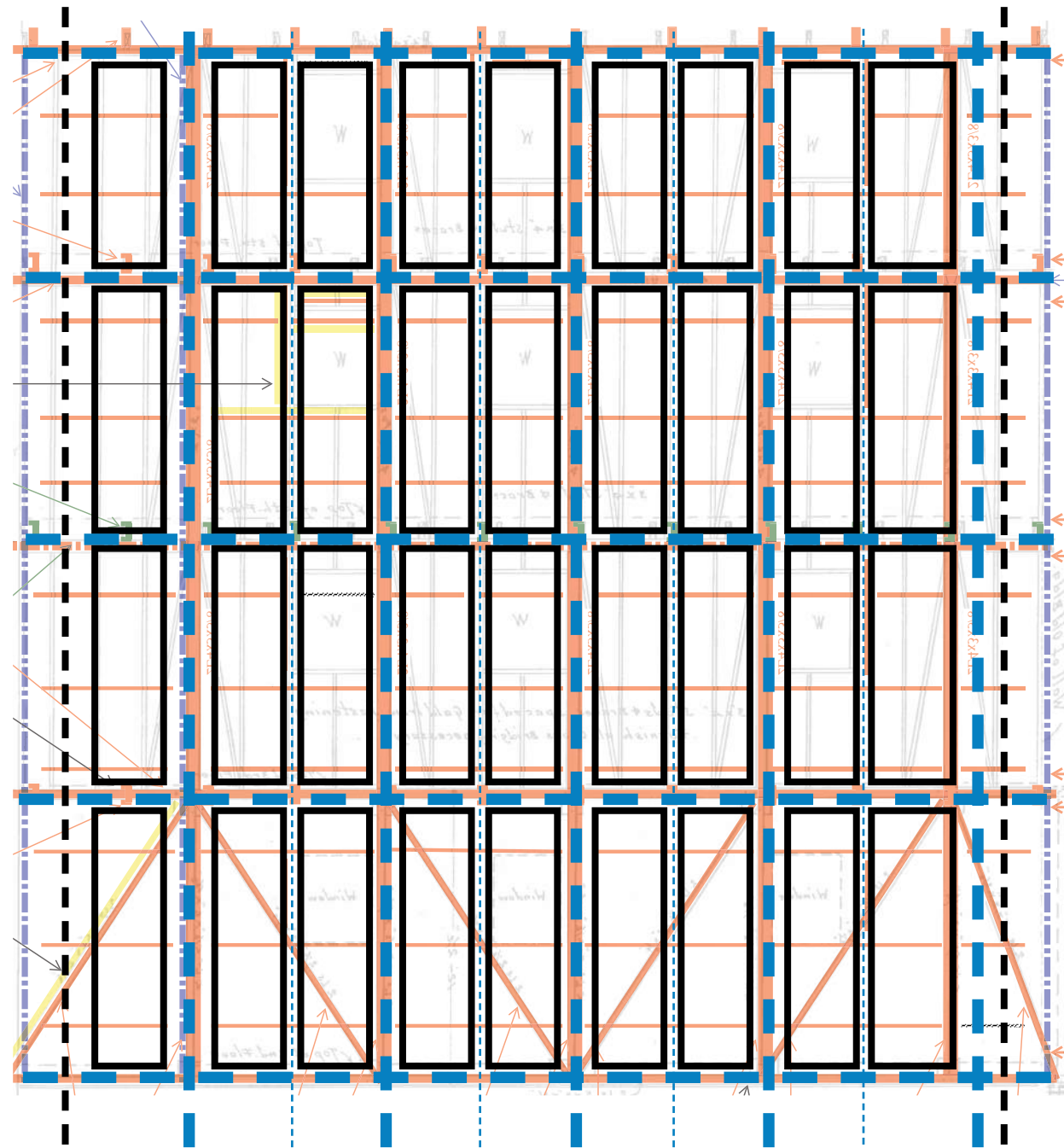


NECCO COURT BRIDGE **PROPOSED NORTH PIER**

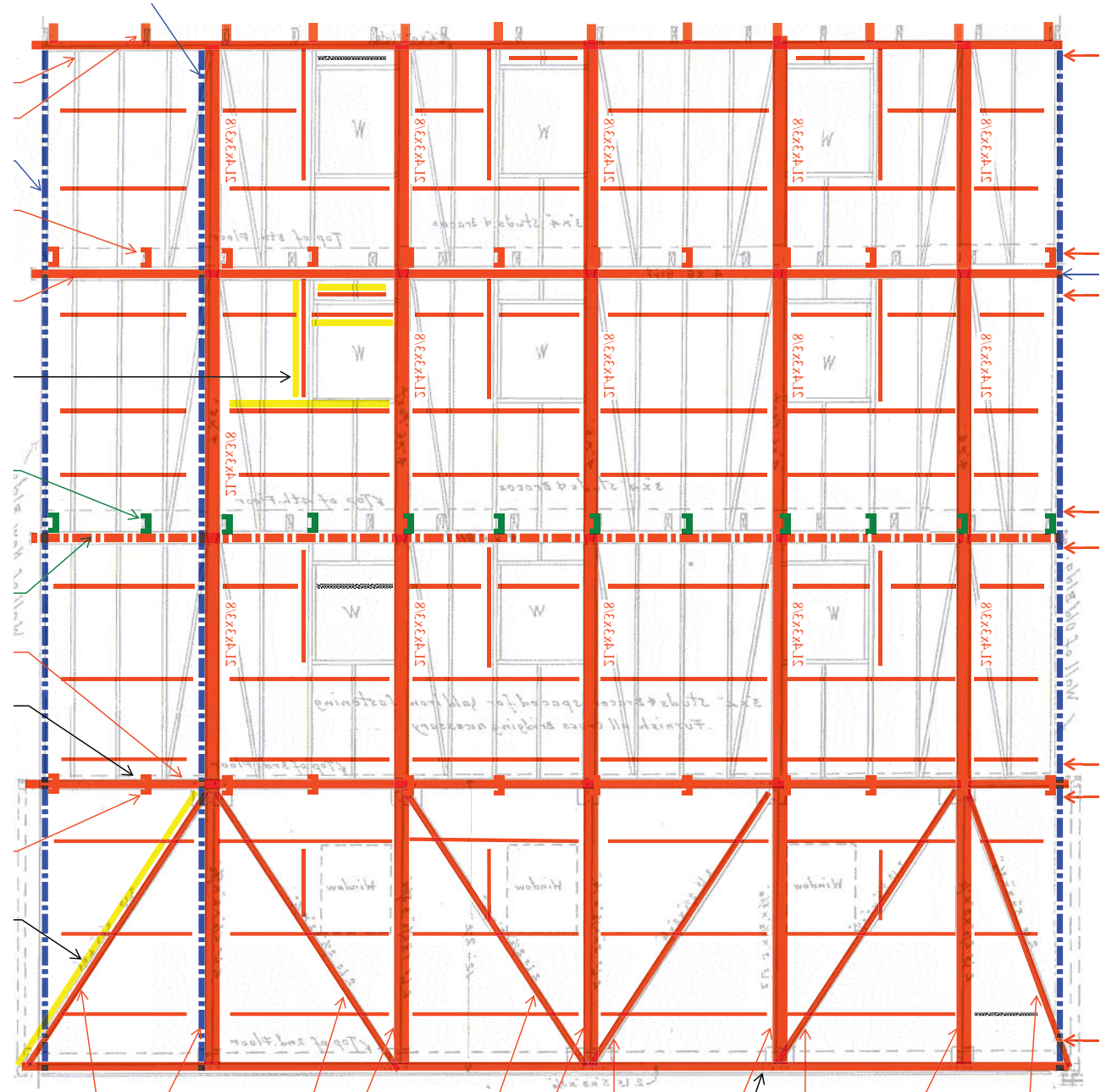


REQUIRED FOR SEISMIC UPGRADE

NECCO COURT BRIDGE CONCEPT DIAGRAM



CONCEPT

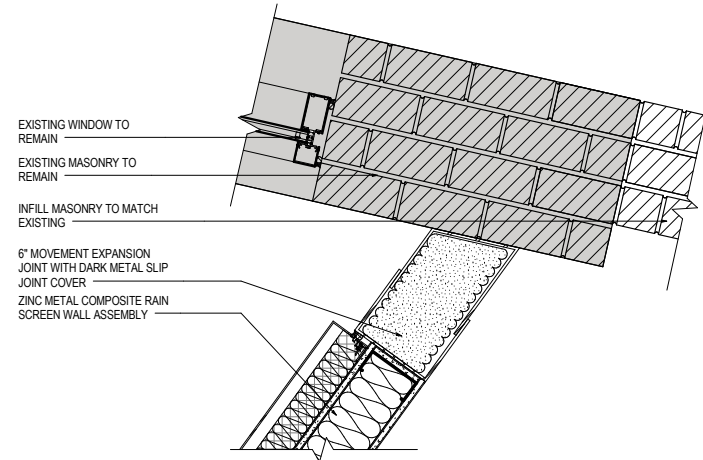


CURRENT STRUCTURE

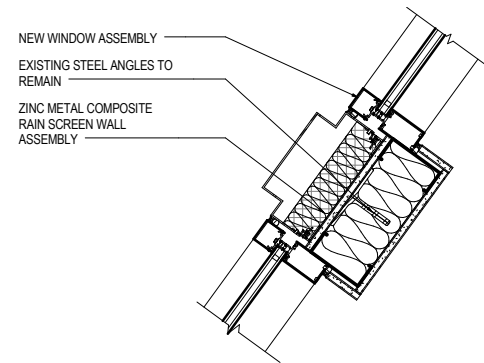
NECCO COURT BRIDGE VIEW FROM HARBOR WALK



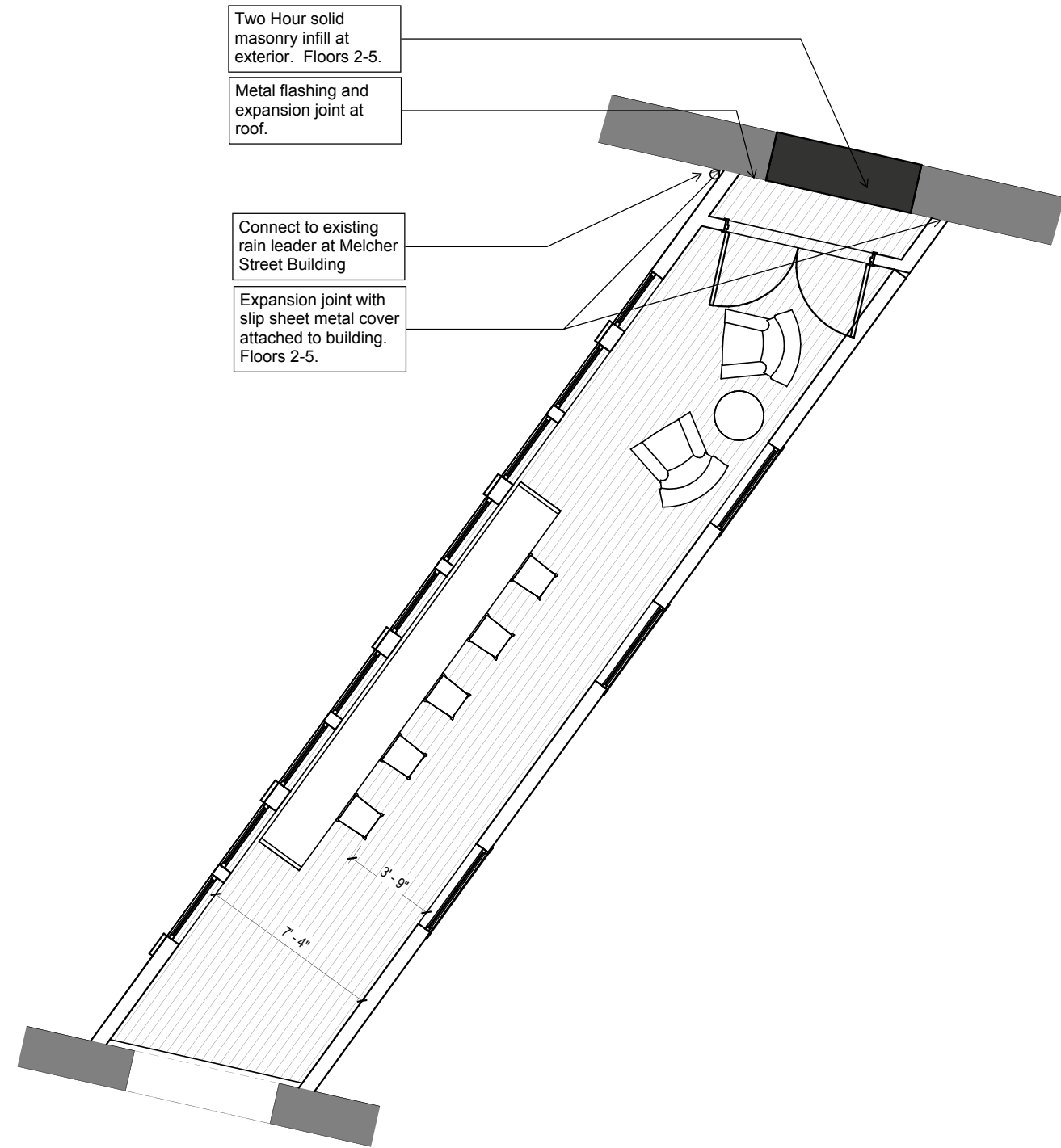
NECCO COURT BRIDGE FLOOR PLAN AND DETAILS



EXPANSION JOINT DETAIL



TYPICAL POST DETAIL



TYPICAL PLAN

THANK YOU

