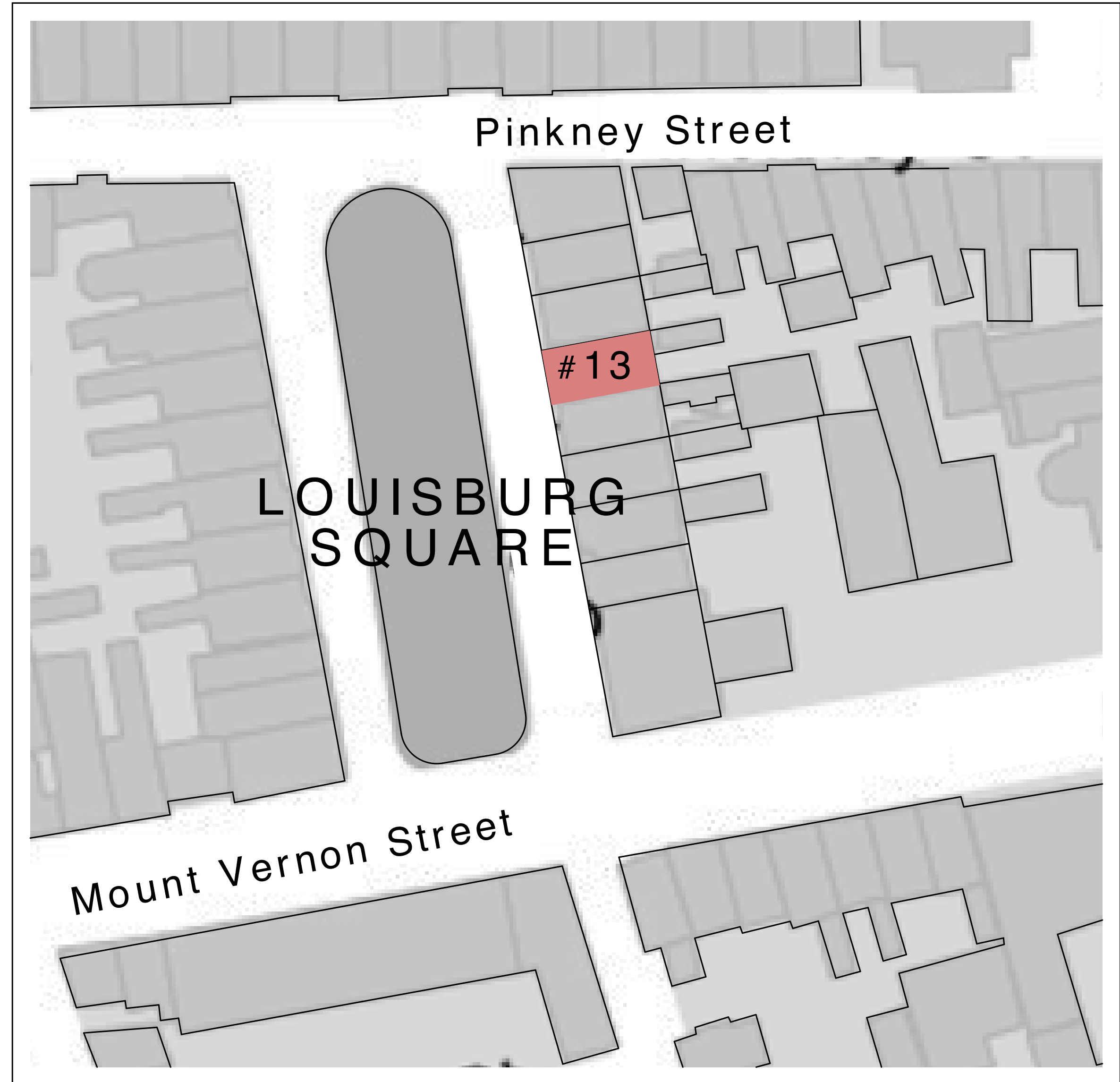
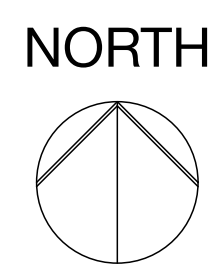


13 LOUISBURG SQUARE





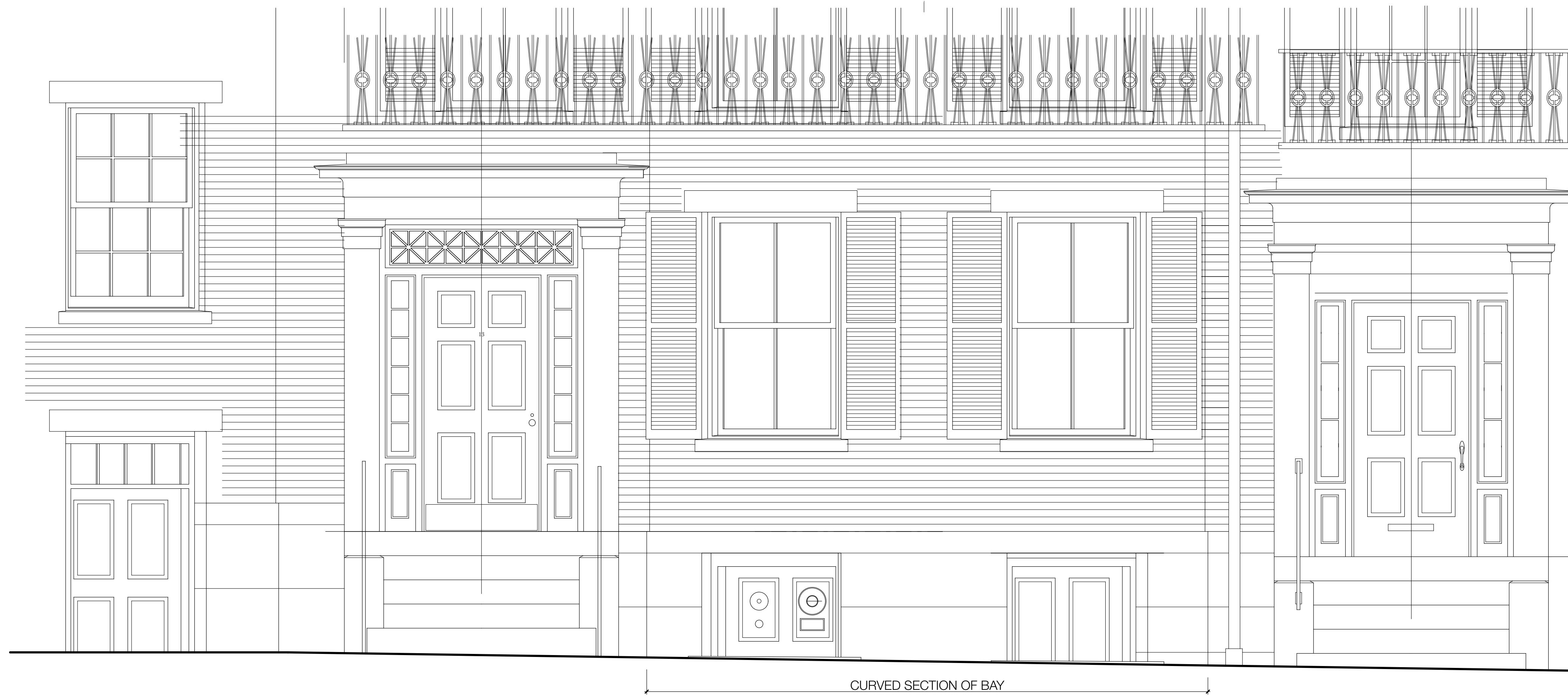
NEW HOSE BIB LOCATION
WEST FACADE



WINDOW & DOOR AT CURVED BAY
WEST FACADE



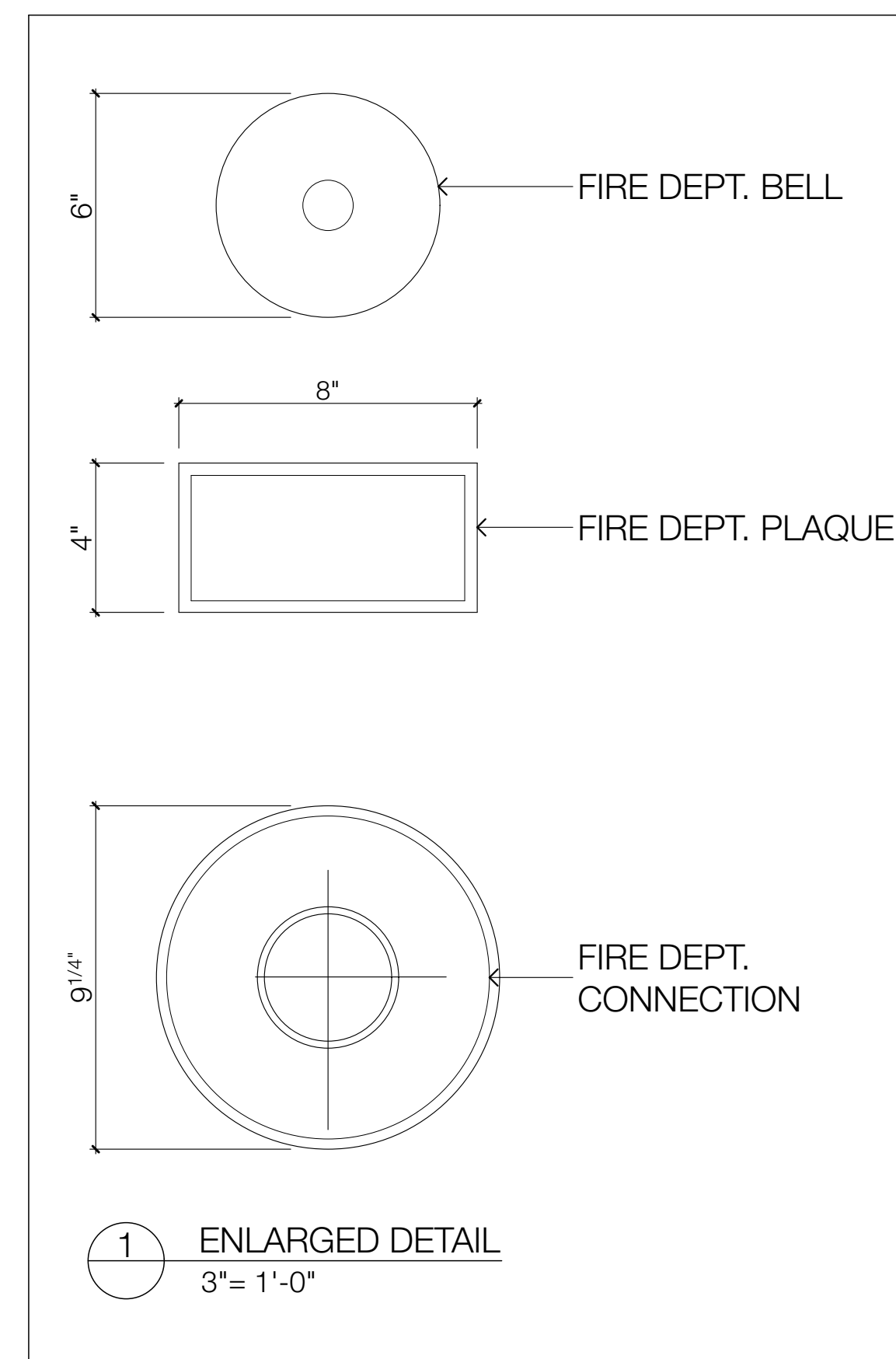
WEST FACADE



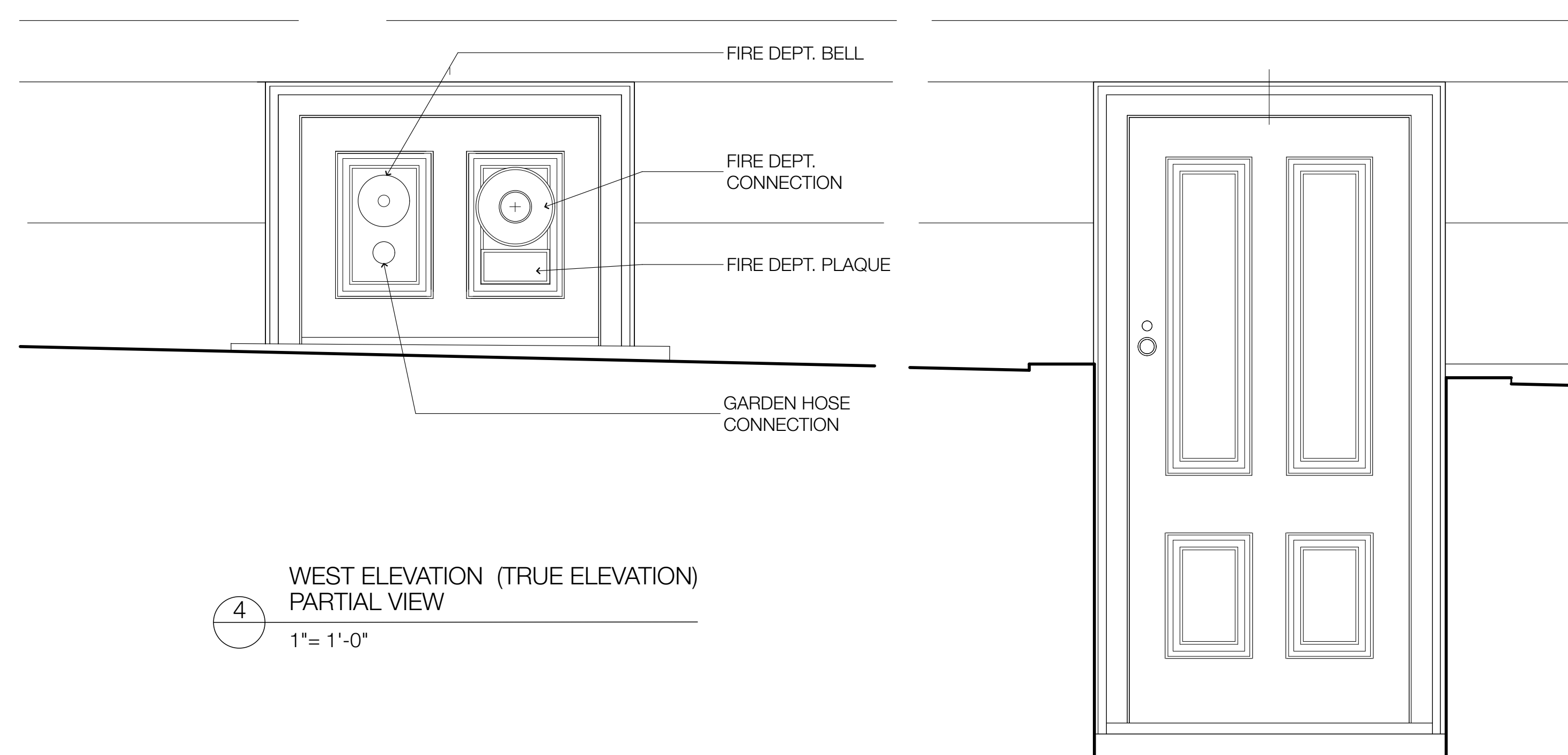
2 WEST ELEVATION
PARTIAL VIEW
1/2" = 1'-0"



3 WEST ELEVATION
1/4" = 1'-0"



1 ENLARGED DETAIL
3" = 1'-0"

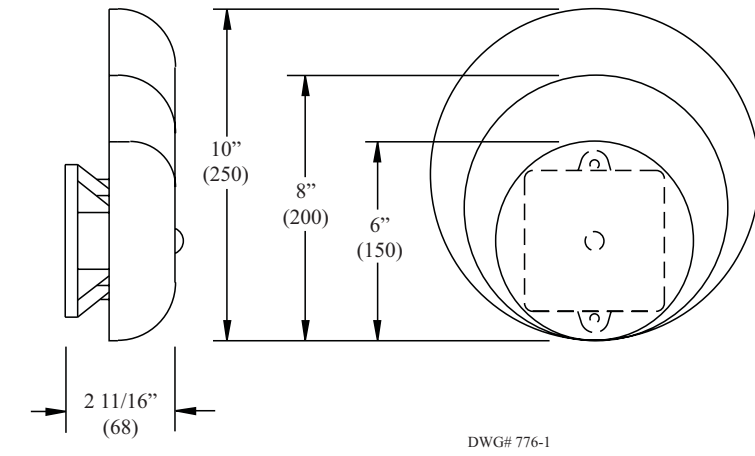


4 WEST ELEVATION (TRUE ELEVATION)
PARTIAL VIEW
1" = 1'-0"

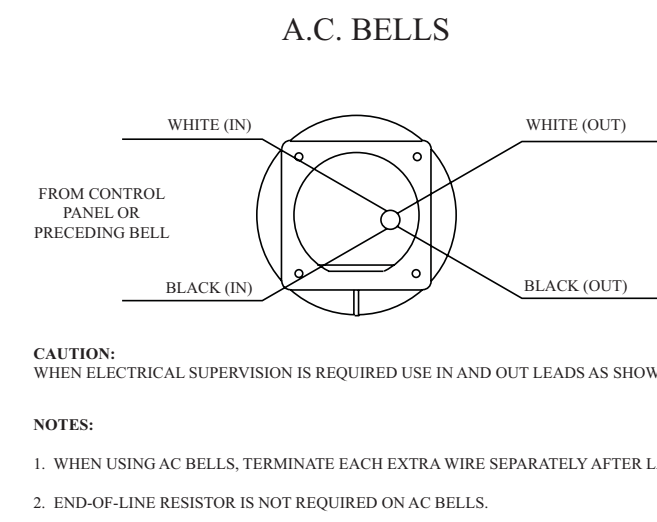


BELLS
PBA-AC & MBA-DC

Bells Dimensions Inches (mm)
Fig. 1



Wiring (rear view)
Fig. 3



CAUTION:
WHEN ELECTRICAL SUPERVISION IS REQUIRED USE IN AND OUT LEADS AS SHOWN.

NOTES:
1. WHEN USING AC BELLS, TERMINATE EACH EXTRA WIRE SEPARATELY AFTER LAST BELL.
2. END-OF-LINE RESISTOR IS NOT REQUIRED ON AC BELLS.



BELLS
PBA-AC & MBA-DC



UL, ULC, and FM Approved
Sizes Available: 6" (150mm), 8" (200mm) and 10" (250mm)
Voltages Available: 24VAC, 120VAC, 12VDC (10.2 to 15.6) Polarized, 24VDC (20.4 to 31.2) Polarized

Service Use: Fire Alarm, General Signaling, Burglar Alarm

Environment: Indoor or outdoor use (See Note 1) -40° to 150°F (-40° to 66°C) (Outdoor use requires weatherproof backbox.)

Termination: AC Bells - 4 No. 18 AWG stranded wires, DC Bells - Terminal strip

Finish: Red powder coating

Optional: Model BBK-1 weatherproof backbox, Model BBX-1 deep weatherproof backbox

These vibrating type bells are designed for use as fire, burglar or general signaling devices. They have low power consumption and high decibel ratings. The unit mounts on a standard 4" (101mm) square electrical box for indoor use or on a model BBK-1 weatherproof backbox or BBX-1 deep weatherproof backbox for outdoor applications. Weatherproof backbox model BBK-1, Stock No. 1500001.

Notes:
 1. Minimum dB ratings are calculated from integrated sound pressure measurements made at Underwriters Laboratories as specified in UL Standard 464. UL temperature range is -30° to 150°F (-34° to 66°C).
 2. Typical dB ratings are calculated from measurements made with a conventional sound level meter and are indicative of output levels in an actual installation.
 3. ULC only applies to MBA DC bells.

Size inches (mm)	Voltage	Model Number	Stock Number	Current (Max.)	Typical dB at 10 ft. (3m) (2)	Minimum dB at 10 ft. (3m) (1)
6 (150)	12VDC	MBA126	1750070	.12A	85	76
8 (200)	12VDC	MBA128	1750080	.12A	90	77
10 (250)	12VDC	MBA1210	1750060	.12A	92	78
6 (150)	24VDC	MBA246	1750100	.06A	87	77
8 (200)	24VDC	MBA248	1750110	.06A	91	79
10 (250)	24VDC	MBA2410	1750090	.06A	94	80
6 (150)	24VAC	PBA246	1806024*	.17A	91	78
8 (200)	24VAC	PBA248	1808024*	.17A	94	77
10 (250)	24VAC	PBA2410	1810024*	.17A	94	78
6 (150)	120VAC	PBA1206	1806120*	.05A	92	83
8 (200)	120VAC	PBA1208	1808120*	.05A	99	84
10 (250)	120VAC	PBA12010	1810120*	.05A	99	86

All DC bells are polarized and have built-in transient protection.
 * Does not have ULC listing.

WARNING

In outdoor or wet installations, bell must be mounted with weatherproof backbox, BBK-1 or BBX-1. Standard electrical boxes will not provide a weatherproof enclosure. If the bell and/or assembly is exposed to moisture, it may fail or create an electrical hazard.

Potter Electric Signal Company, LLC • 2081 Craig Road, St. Louis, MO, 63146-4161 • Phone: 800-325-3936/Canada 888-882-1833 • www.pottersignal.com

PRINTED IN USA

MFG. #S400776 - REV Y
5/08

PAGE 1 OF 2



Fire Department Connections

Single Outlet Wall Hydrants

Acts as an auxiliary connection for fire department use.
 Features a round, flush type appearance and unobstructed waterway.
 250 GPM

- All units come complete with wall plate, male snoot (hex adapter), and cap & chain.
- Wall Plate Lettering: "Wall Hydrant"



WH111-01RB

Part #	Size & Configuration	Outlet Thread	Specify Finish:
WH111-01	2 1/2" F NPT x 2 1/2" M NST	NST	<input type="checkbox"/> -RB Rough Brass <input type="checkbox"/> -PB Polished Brass <input type="checkbox"/> -PC Polished Chrome



SNOUTS

Female Swivel Snouts

Act as inlets in concealed and single-inlet fire department connections. They feature a wide hex-shaped flange to keep FDC wall plates secure and provide a finished look.



Finishes include cast brass, polished brass, or polished chrome. All come standard with pin lugs.

Construction Material: Cast Brass

Rated for 300 PSI

Part Number	Configuration	Finish
160RBA	2 1/2" Female NST Swivel x 2 1/2" Female NPT Rigid	Rough Brass
160PBA	2 1/2" Female NST Swivel x 2 1/2" Female NPT Rigid	Polished Brass
160PCA	2 1/2" Female NST Swivel x 2 1/2" Female NPT Rigid	Polished Chrome

Male Snouts

Act as outlets in concealed test headers and single-outlet connections. They feature a wide hex-shaped flange to keep FDC wall plates secure and provide a finished look.



Finishes include cast brass, polished brass, or polished chrome.

Construction Material: Cast Brass

Rated for 300 PSI

Part Number	Configuration	Finish
163A25RB	2 1/2" Male NST x 2 1/2" Female NPT Rigid	Rough Brass
163A25PB	2 1/2" Male NST x 2 1/2" Female NPT Rigid	Polished Brass
163A25PC	2 1/2" Male NST x 2 1/2" Female NPT Rigid	Polished Chrome
163A3RB	2 1/2" Male NST x 3" Female NPT Rigid	Rough Brass
163A3PB	2 1/2" Male NST x 3" Female NPT Rigid	Polished Brass
163A3PC	2 1/2" Male NST x 3" Female NPT Rigid	Polished Chrome



FIRE DEPARTMENT PLAQUE

222 Bemis Road, Fitchburg, MA 01420 | Tel: 978-345-7570 | Fax: 978-345-7572
 www.americanfirehose.com | sales@americanfirehose.com