



Existing

People's United
Bank

425

Proposed



VESTIBULE RENDERING

SCALE: NONE

1

SK1.0

Date: JANUARY 9, 2017
Scale:
Drawn By: JDN
Project Number: 16-0219

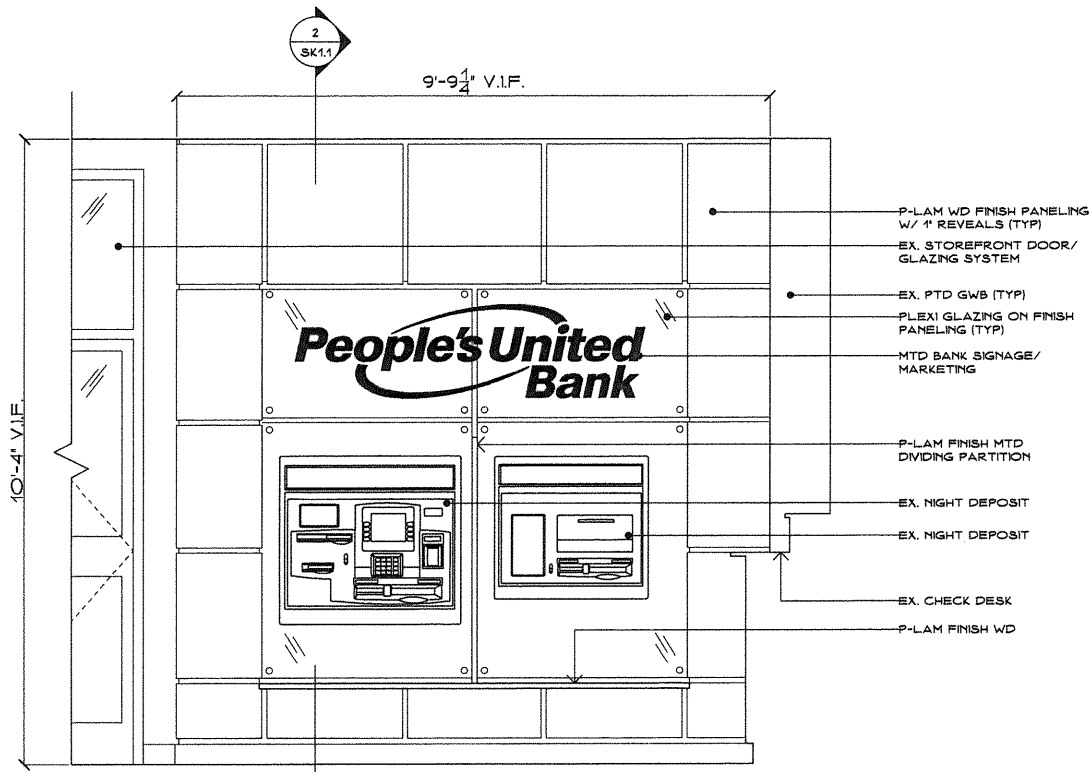
ATM Wall Proposal

SILVER/PETRUCELLI + ASSOCIATES
Architects Engineers Interior Designers
1146 Whalley Avenue, Hamden, CT 06518-2149
Tel: 203-239-9400 Fax: 203-239-2527
http://www.spa.com



People's United Bank
Branch Proposal
425 Boylston Street
Boston, Ma 02116

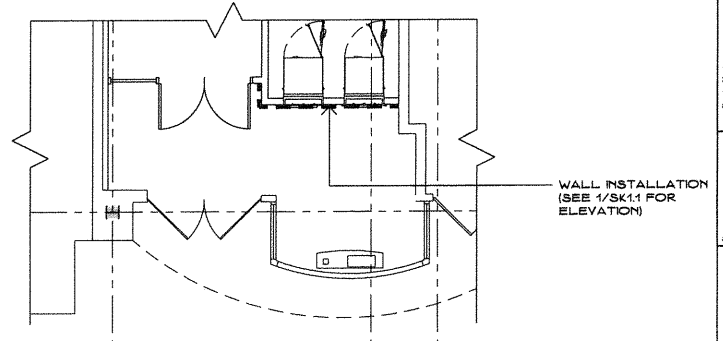




ATM ELEVATION

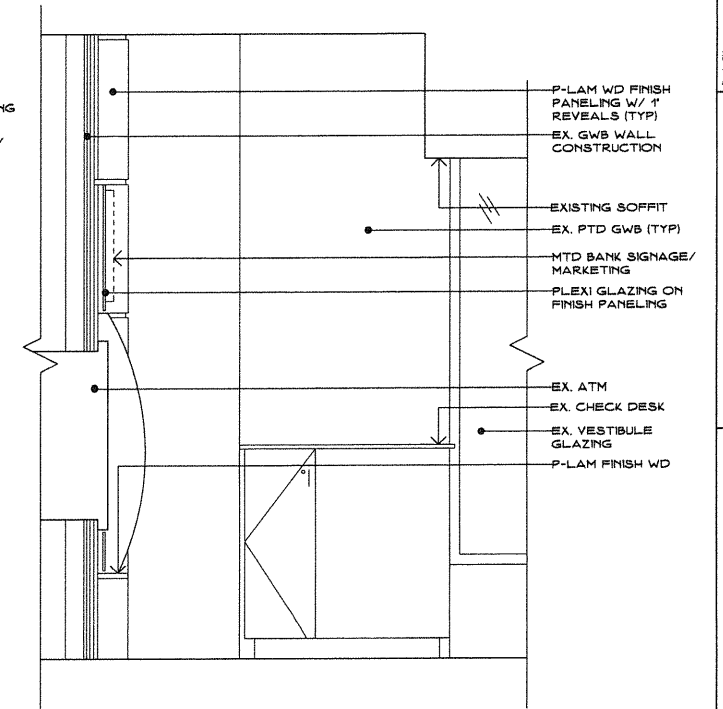
SCALE: 1/2" = 1'-0"

1



PARTIAL PLAN

3



SECTION THRU ATM WALL

SCALE: 1/2" = 1'-0"

2

SK1.1

Date: JANUARY 9, 2017
 Scale: 1/2" = 1'-0"
 Project: ATM
 Project Number: 16-0279

ATM Wall Proposal:
 Section & Elevation

SILVER/PETRUCELLI + ASSOCIATES



People's United Bank
 Branch Proposal
 425 Boylston Street
 Boston, MA 02116



Project File: