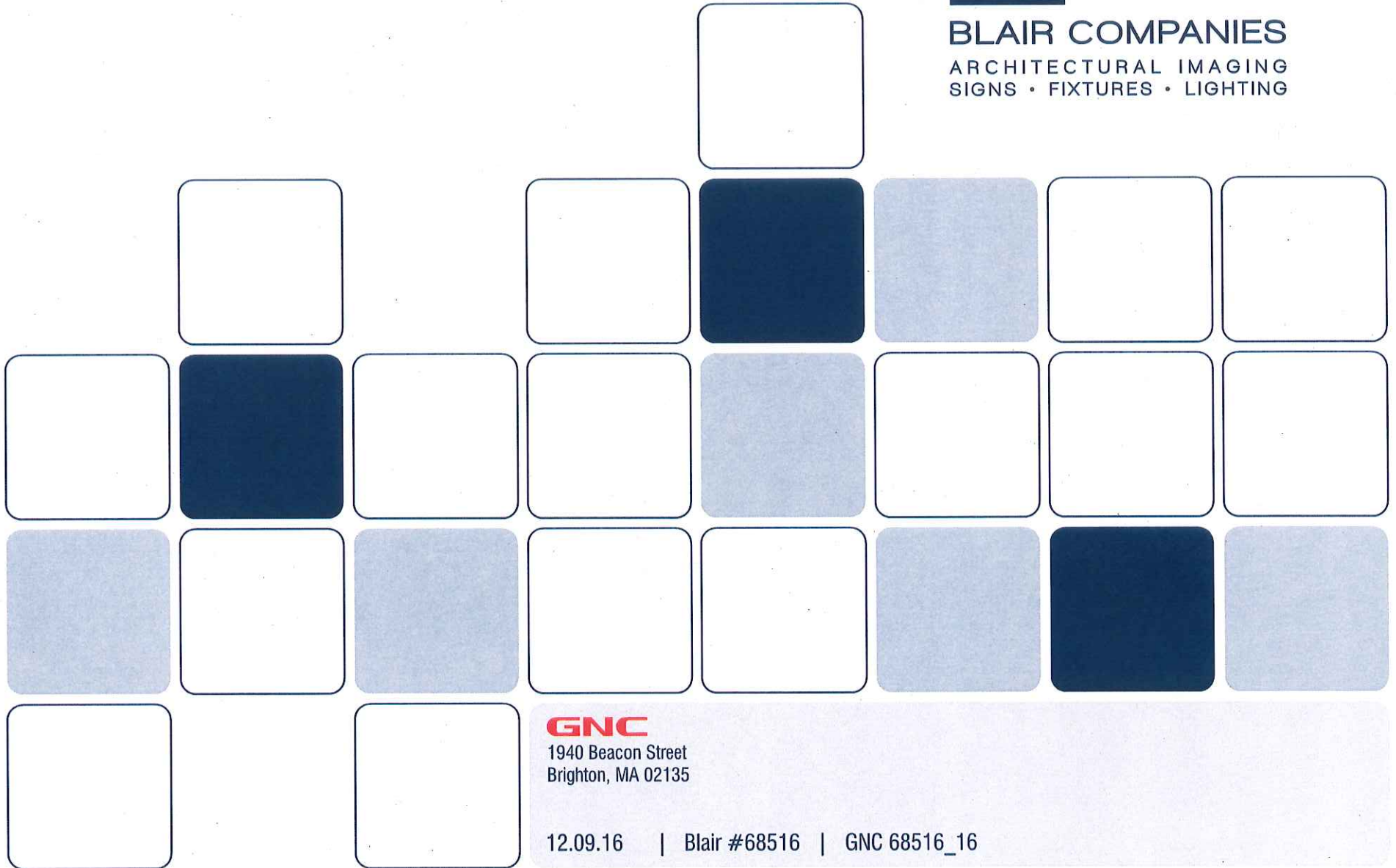


BLAIR COMPANIES

ARCHITECTURAL IMAGING
SIGNS • FIXTURES • LIGHTING



GNC

1940 Beacon Street
Brighton, MA 02135

12.09.16 | Blair #68516 | GNC 68516_16

project information

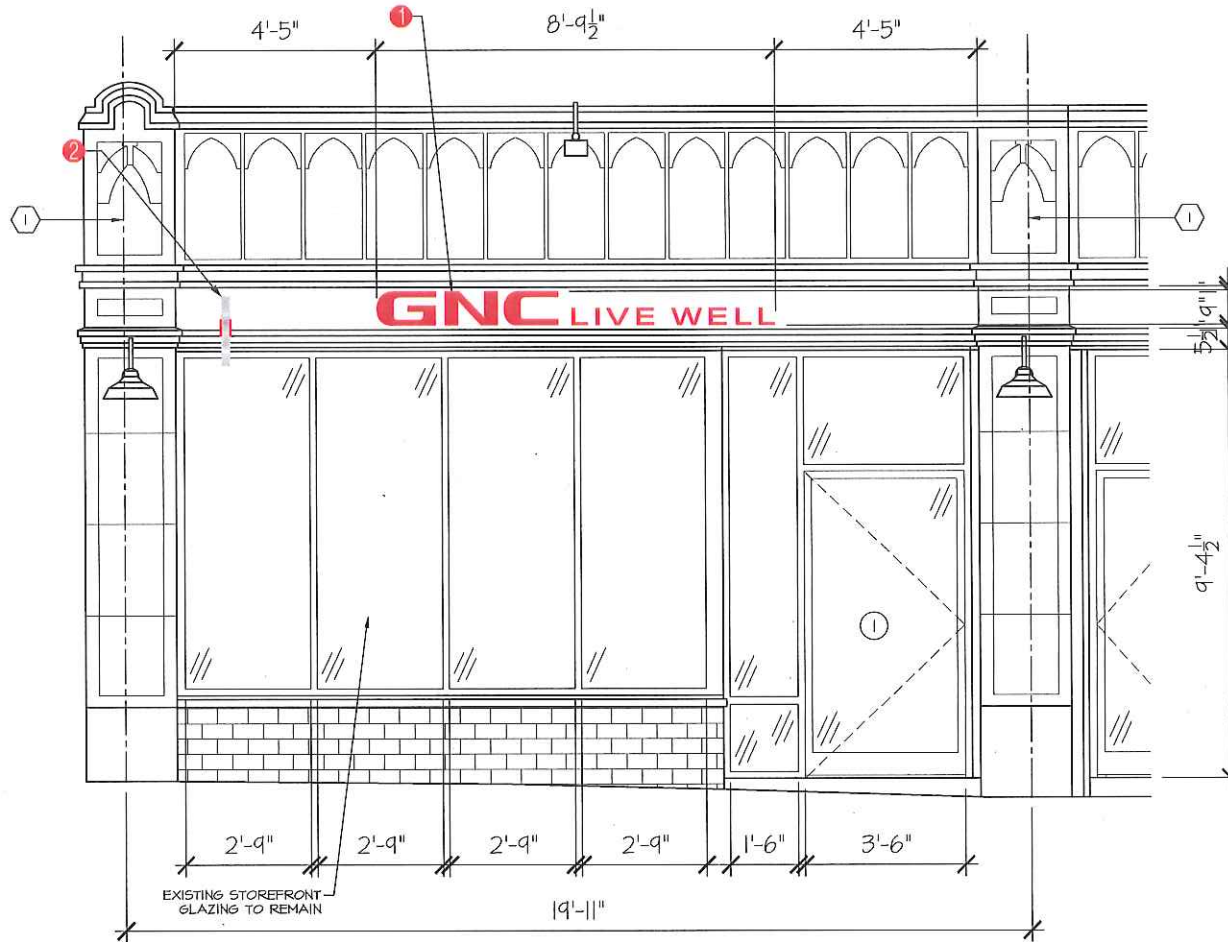
client: **GNC**
address: 1940 Beacon Street
Brighton, MA 02135
store #:
m number: 68516
date: 12/09/16
rendered: DR
file name: GNC 68516_16
category:

revisions

a. 1/6/2017; JO: Revised per PM Notes

These drawings are not for construction. The information contained herein is intended to express design intent only.

This original design is the sole property of the Blair Companies, it cannot be reproduced, copied or exhibited, in whole or part, without first obtaining written consent from the Blair Companies.



FRONT ELEVATION

SCALE: 1/4" = 1'-0"

sign 1	9" Channel Letters	6.59 SQFT
sign 2	18" x 30" Blade Sign	3.75 SQFT





EXISTING CONDITION



PROPOSED

PROPOSED SIGNAGE

sign 1	9" Channel Letters	6.59 SQFT
sign 2	18" x 30" Blade Sign	3.75 SQFT

SCALE: NTS

address: 5107 Kissell Avenue
Altoona PA 16601
telephone: 814.949.8287
fax: 814.949.8293
web: blaircompanies.com

project information

client: **GNC**
address: 1940 Beacon Street
Brighton, MA 02135
store #:
m number: 68516
date: 12/09/16
rendered: DR
file name: GNC 68516_16
category:

revisions

a. 1/6/2017; JO: Revised per PM Notes

These drawings are not for construction. The information contained herein is intended to express design intent only.

This original design is the sole property of the Blair Companies, it cannot be reproduced, copied or exhibited, in whole or part, without first obtaining written consent from the Blair Companies.



address: 5107 Kissell Avenue
Altoona PA 16601
telephone: 814.949.8287
fax: 814.949.8293
web: blaircompanies.com

project information

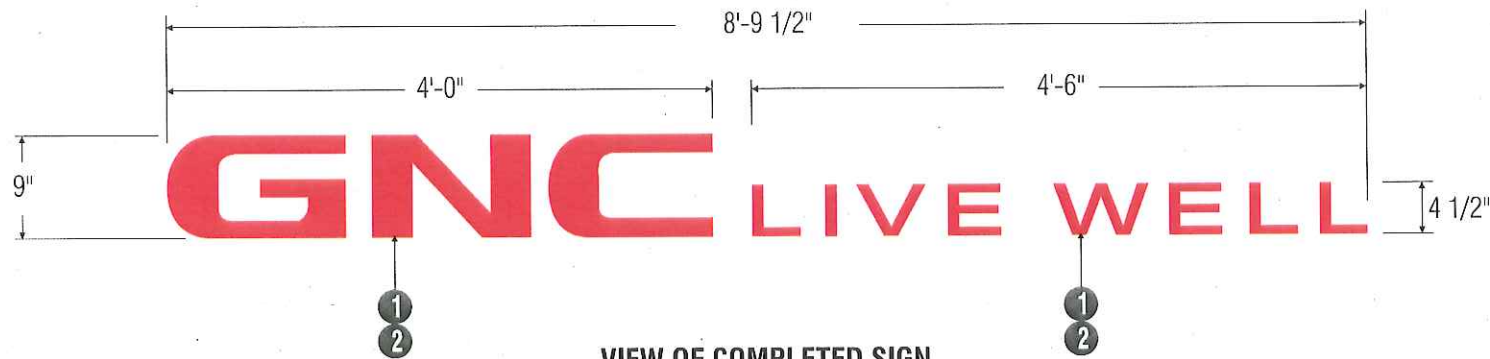
client: **GNC**
address: 1940 Beacon Street
Brighton, MA 02135
store #:
m number: 68516
date: 12/09/16
rendered: DR
file name: GNC 68516_16
category:

revisions

a. 1/6/2017; JO: Revised per PM Notes

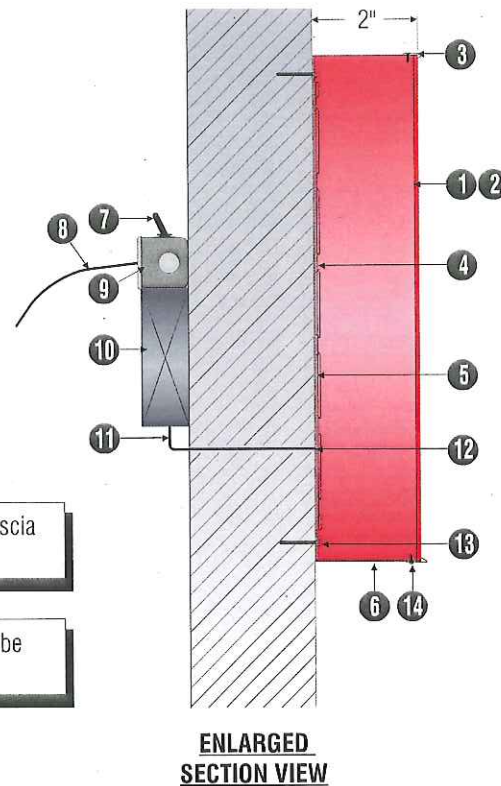
These drawings are not for construction. The information contained herein is intended to express design intent only.

The original design is the sole property of the Blair Companies, it may not be reproduced, copied or modified, in whole or part, without obtaining written consent from the Blair Companies.



VIEW OF COMPLETED SIGN
SQUARE FOOTAGE: 6.59

SCALE: 3/4" = 1'-0"



MATERIAL SCHEDULE

1. 3/16" ACRYLIC FACE
2. VINYL DIFFUSER APPLIED 2nd. SURFACE
3. 1" TRIM CAP
4. .063" thk. ALUMINUM BACKS (POP RIVET)
5. LED
6. .040" thk. ALUMINUM RETURNS
7. 20amp DISCONNECT SWITCH
8. PRIMARY WIRING
9. HANDY-BOX
10. LED POWER SUPPLY 120v
11. LOW VOLTAGE SECONDARY WIRING
12. 3/8" PLASTIC BUSHING
13. CONCRETE ANCHOR
14. FACE SCREW (MATCH TRIM)

COLOR SCHEDULE

- A. FACE: RED #2415
- B. TRIM CAP: PREFINISHED RED
- C. METAL LETTER: PREFINISHED RED
- D. LED: RED
- E. VINYL DIFFUSER #3635-70
- F. LETTER INTERIOR: WHITE

Other Color Options for Metal/Return: Bronze or Brushed Aluminum

SIGNAGE IS 120v

NOTE: 8" minimum clearance required behind fascia for electrical connections.

NOTE: Letters are not pre-wired and will need to be wired letter to letter during installation



BLAIR COMPANIES
 ARCHITECTURAL IMAGING
 SIGNS • FIXTURES • LIGHTING

address: 5107 Kissell Avenue
 Altoona PA 16601
 telephone: 814.949.8287
 fax: 814.949.8293
 web: blaircompanies.com

project information

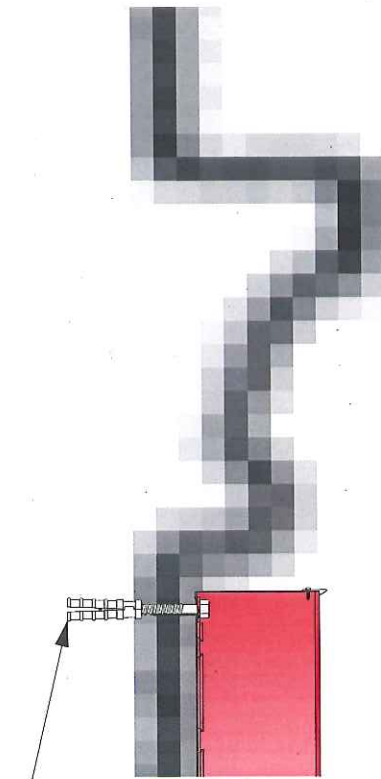
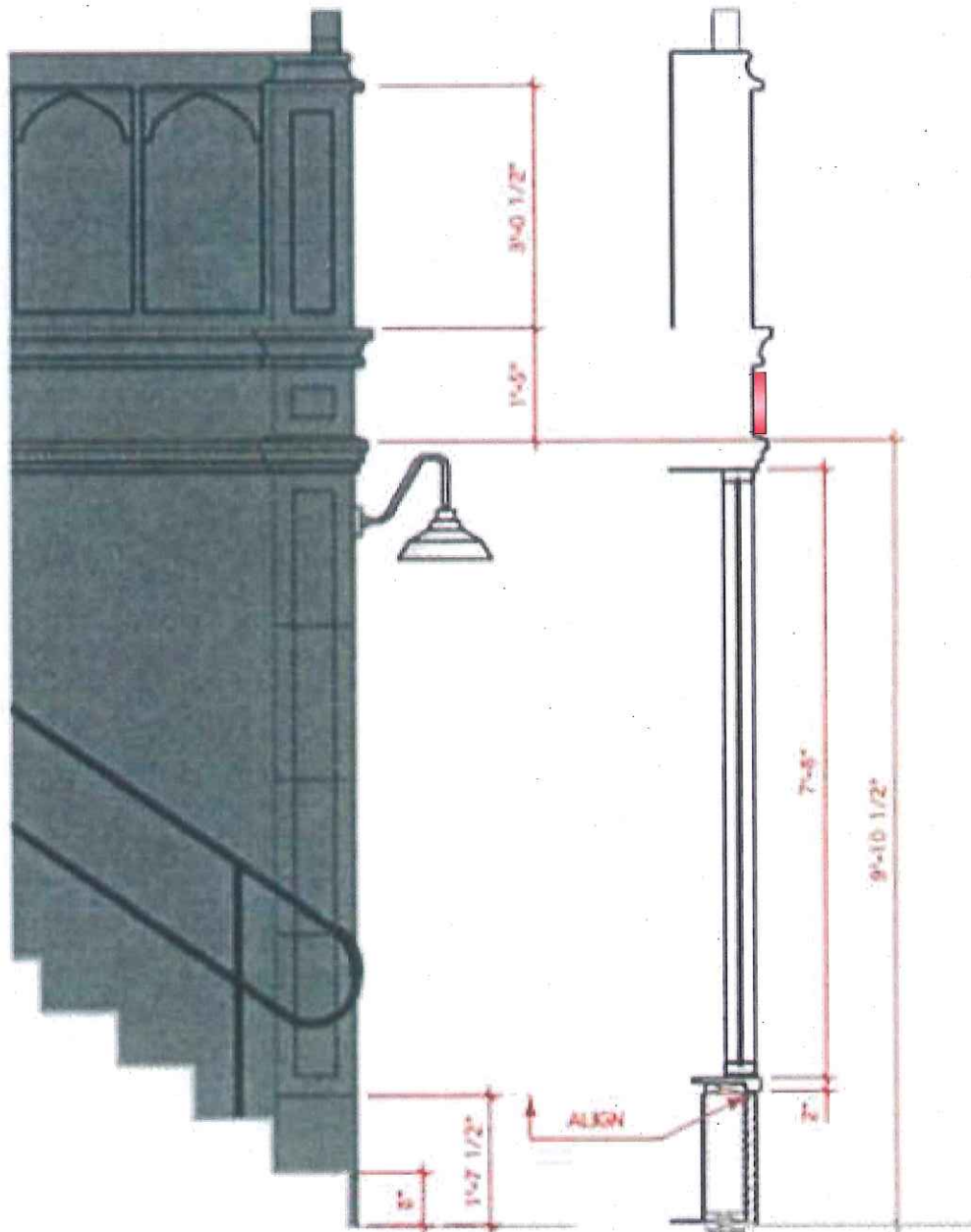
client: **GNC**
 address: 1940 Beacon Street
 Brighton, MA 02135
 store #:
 m number: 68516
 date: 12/09/16
 rendered: DR
 file name: GNC 68516_16
 category:

revisions

a. 1/6/2017; JO: Revised per PM Notes

These drawings are not for construction. The information contained herein is intended to express design intent only.

This original design is the sole property of the Blair Companies, it cannot be reproduced, copied or exhibited, in whole or part, without first obtaining written consent from the Blair Companies.



Lag screw with anchor

address: 5107 Kissell Avenue
Altoona PA 16601
telephone: 814.949.8287
fax: 814.949.8293
web: blaircompanies.com

project information

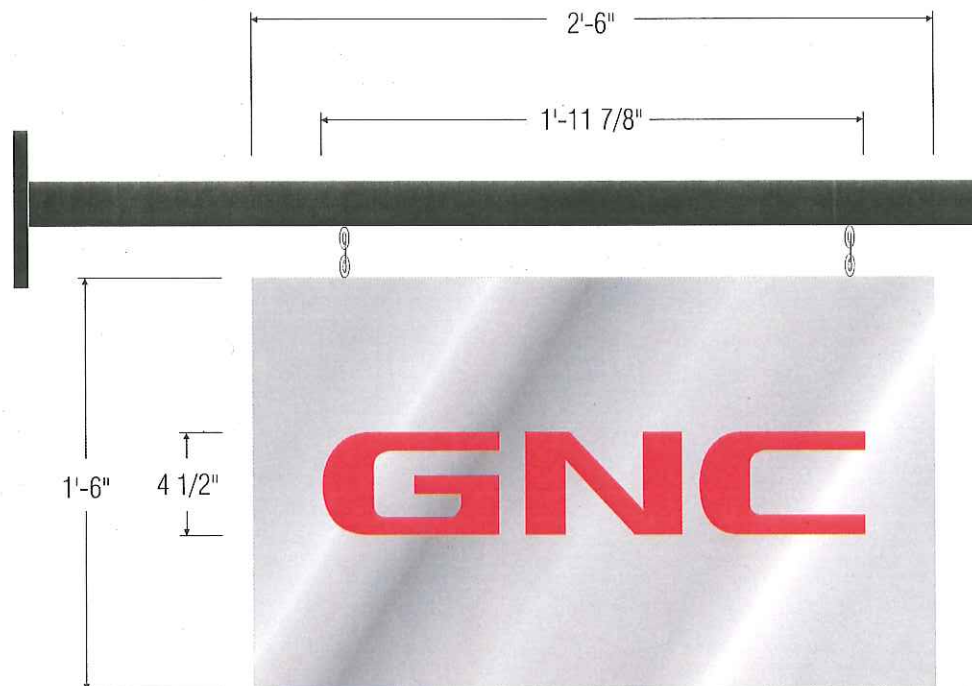
client: **GNC**
address: 1940 Beacon Street
Brighton, MA 02135
store #:
m number: 68516
date: 12/09/16
rendered: DR
file name: GNC 68516_16
category:

revisions

a. 1/6/2017; JO: Revised per PM Notes

These drawings are not for construction. The information contained herein is intended to express design intent only.

This original design is the sole property of the Blair Companies, it cannot be reproduced, copied or exhibited, in whole or part, without first obtaining written consent from the Blair Companies.



SIDE VIEW

DOUBLE SIDED NON ILLUMINATED BLADE SIGN

SCALE: 1 1/2"=1'-0"

MATERIAL SCHEDULE

1. ALUMINUM SHEET .080" BRUSHED FINISH
2. SINTRA LETTERS PAINTED RED
3. .5" ALUMINUM PLATE FOR MOUNTING
4. ALUMINUM TUBING PAINTED BLACK
5. CONCRETE ANCHORS
6. S- HOOK AND CHAIN

COLOR SCHEDULE

- A. FACE: BRUSHED FINISH
- B. LETTERS: PAINTED RED
- C. ALUMINUM TUBING: PAINTED BLACK

address: 5107 Kissell Avenue
 Altoona PA 16601
 telephone: 814.949.8287
 fax: 814.949.8293
 web: blaircompanies.com

project information

client: **GNC**
 address: 1940 Beacon Street
 Brighton, MA 02135
 store #:
 m number: 68516
 date: 12/09/16
 rendered: DR
 file name: GNC 68516_16
 category:

revisions

a. 1/6/2017; JO: Revised per PM Notes

These drawings are not for construction. The information contained herein is intended to express design intent only.

This original design is the sole property of the Blair Companies, it cannot be reproduced, copied or exhibited, in whole or part, without first obtaining written consent from the Blair Companies.

