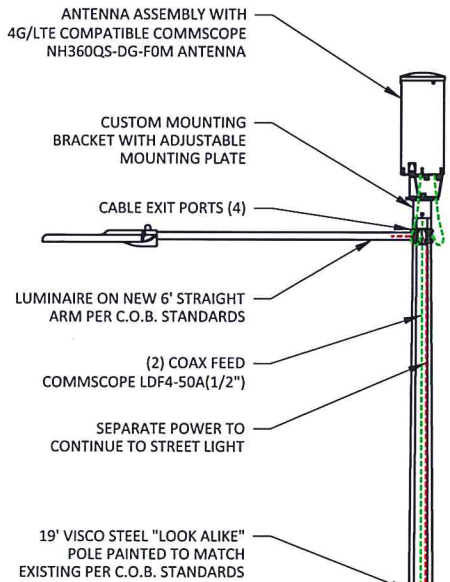


EXHIBIT X-1

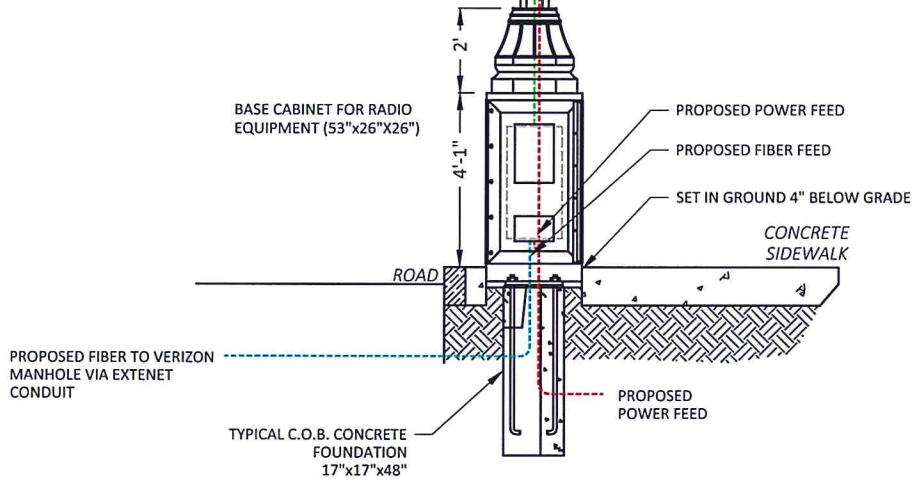
SCHEDULE OF APPROVED WIRELESS FACILITIES

Facility Number	X-1 Standard Concrete Light Pole with Cobra Light (RRH Concealment)
Attachment Types <i>(check all that apply And provide detail below)</i>	<input checked="" type="checkbox"/> Replacement City Pole (streetlight) <input checked="" type="checkbox"/> Replacement City Property Pole (streetlight) <input type="checkbox"/> Attach to existing City Pole (streetlight) <input type="checkbox"/> Attach to existing City Property Pole (streetlight) <input type="checkbox"/> Attach to existing City Pole (traffic signal) <input type="checkbox"/> Attach to existing City Property Pole (traffic signal) <input type="checkbox"/> Attach to existing City Pole (street furniture) <input type="checkbox"/> Attach to existing City Property Pole (street furniture) <input type="checkbox"/> Attach to Non-City Pole
Attachment Type Detail	<i>Standard concrete light pole (existing or replacement)</i>
Physical Description	<p><i>Mount antenna (no more than 16" diameter and no more than 40" height) in fiberglass enclosure painted to match pole and affixed to top of pole with tapered extension. Remote radiohead, power and fiber equipment concealed within stealth expanded base, not to exceed 2.5' in width and will be painted and designed to match exterior pole.</i></p> <p><i>Pole Replacement information for all standard lightpoles</i></p> <ul style="list-style-type: none"> • <i>14' existing pole to be replaced with new pole with a max height of 16.8'</i> • <i>19' existing pole to be replaced with new pole with a max height of 22.8'</i> • <i>24' existing pole to be replaced with new pole with a max height of 28.8'</i> • <i>29' existing pole to be replaced with new pole with a max height of 34.8'</i>
Concealment	<i>Antenna contained within enclosure painted to match pole. Cables run inside pole. Remote radiohead, power and fiber equipment concealed within stealth expanded base, not to exceed 2.5' in width and 4'1" in height. A maximum of an additional 2' above enclosure will be used to add decorative tapering.</i>

<p>Included Documents</p>	<p><i>The following documents:</i></p> <ul style="list-style-type: none"> <i>A. For each Attachment Type listed or checked above, an engineering drawing of replacement pole or existing pole with attached equipment. The drawing must show the location on the pole where each component of the Wireless Facility is attached or enclosed. Drawings should depict any underground portion of the typical installation for that Attachment Type.</i> <i>B. Photo showing an example of each Attachment Type listed or checked above.</i> <i>C. Photo mockup of each Attachment Type listed or checked above showing the appearance after the Approved Wireless Facility is installed.</i> <p><i>Engineering drawings and photo attachments should reflect the dimensions and characteristics of a representative actual City Pole or City Property Pole of the type to which the Approved Wireless Facility design applies rather than generic examples.</i></p> <p><i>Where there is considerable variation among City Poles/City Property Poles of a particular type (e.g. traffic signals), drawings can show a typical installation, provided that equipment volumes and attachment locations will not vary significantly from one installation to the next in ways that are material to the City's interests.</i></p>
<p>RF Compliance Information</p>	<p><i>X Facility conforms to information already on file <input type="checkbox"/> information attached</i></p>
<p>Comments</p>	



- NOTES:**
1. ALL DISTANCES, DIMENSIONS, LOCATIONS, EQUIPMENT DESIGNATIONS AND SPECIFICATIONS ARE APPROXIMATE.
 2. ALL MATERIAL, COLOR & STYLE WILL MATCH CURRENTLY EXISTING MATERIALS AND WHERE NEEDED ANY RF FRIENDLY MATERIAL WILL BE PAINTED TO MATCH.
 3. IT IS ASSUMED THAT ALL PROPOSED UTILITIES WILL BE ROUTED BELOW GRADE TO THE PROPOSED INSTALLATION.
 4. THE PURPOSE OF THE DESIGN SHOWN IS TO SHOW A CONCEPTUAL DESIGN FOR THE REPLACEMENT/MODIFICATIONS OF EXISTING LIGHT POLE. THEREFORE, THESE DESIGNS ARE INHERENTLY APPROXIMATE IN NATURE AND SHOULD NOT BE USED AS AN EXACT, SCALED ENGINEERING DRAWING.
 5. POLE REPLACEMENT HEIGHTS WILL VARY BASED ON REQUIRED ANTENNA HEIGHTS REQUESTED BY EXTENET SYSTEMS.
 6. EQUIPMENT CLOSURE TO BE NO LARGER THAN (53"Hx26"Wx26"D).
 7. ANTENNA TO BE NO LARGER THAN 16"Øx40"H.
 8. 14' EXISTING POLE TO BE REPLACED WITH NEW POLE WITH A MAX HEIGHT OF 16.8'
19' EXISTING POLE TO BE REPLACED WITH NEW POLE WITH A MAX HEIGHT OF 22.8'
24' EXISTING POLE TO BE REPLACED WITH NEW POLE WITH A MAX HEIGHT OF 28.8'
29' EXISTING POLE TO BE REPLACED WITH NEW POLE WITH A MAX HEIGHT OF 34.8'
 9. EXTENET SYSTEMS WILL PLACE SMALL PLACARD ON POLE IDENTIFYING OWNERSHIP/CONTACT INFORMATION.
 10. LED LIGHT & LUMINAIRE ARM WILL BE AT SAME HEIGHT AS EXISTING
 11. PROPOSED LIGHTING WILL CONFORM TO THE CITY OF BOSTON'S LIGHTING STANDARDS.
 12. ORNAMENTAL DECORATIVE FIXTURES WILL BE IDENTICAL TO THE EXISTING FIXTURE UNLESS THE EXISTING FEATURE IS A METAL HALIDE OR HIGH PRESSURE SODIUM FIXTURE. IN THESE SCENARIOS, THE FIXTURE WILL BE UPGRADED TO AN APPROVED LED FIXTURE.



STANDARD CONCRETE LIGHT POLE WITH RRH CONCEALMENT

YOUR NETWORK EVERYWHERE.

3030 WARRENVILLE RD
LISLE, IL 60532
(630) 505-3800
WWW.EXTENETSYSTEMS.COM

Innovative Thinking. Engineered Solutions.

21 OXFORD RD
MANSFIELD, MA 02048
www.ucseng.com 1-508-337-7600

SUBMITTALS			
REV	DATE	DESCRIPTION	INITIALS

1-X



2015 8-10 10:00

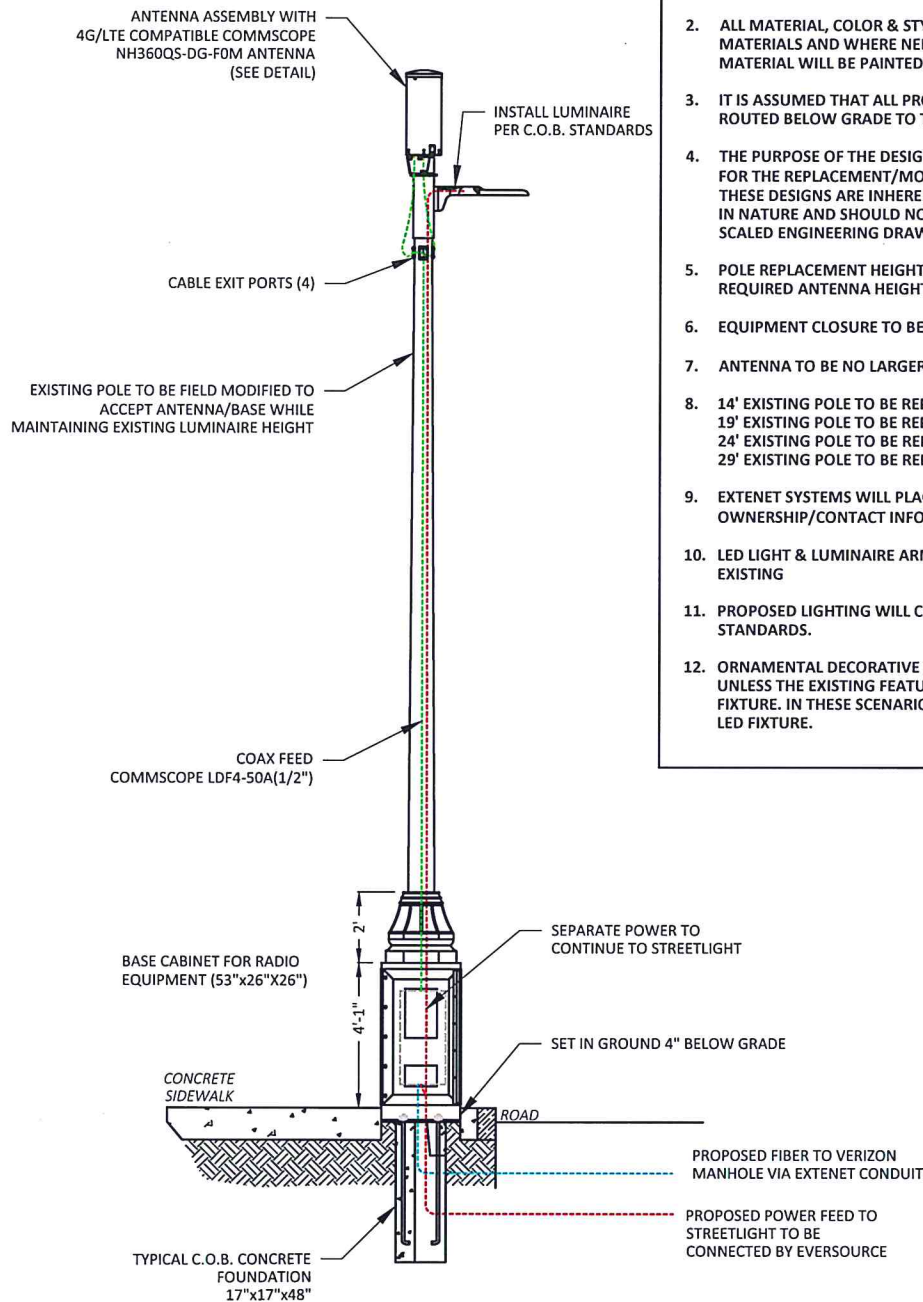


EXHIBIT X-2

SCHEDULE OF APPROVED WIRELESS FACILITIES

Facility Number	X-2 Standard Concrete Light Pole with Aeriata Light (RRH Concealment)
Attachment Types <i>(check all that apply And provide detail below)</i>	<input checked="" type="checkbox"/> Replacement City Pole (streetlight) <input checked="" type="checkbox"/> Replacement City Property Pole (streetlight) <input type="checkbox"/> Attach to existing City Pole (streetlight) <input type="checkbox"/> Attach to existing City Property Pole (streetlight) <input type="checkbox"/> Attach to existing City Pole (traffic signal) <input type="checkbox"/> Attach to existing City Property Pole (traffic signal) <input type="checkbox"/> Attach to existing City Pole (street furniture) <input type="checkbox"/> Attach to existing City Property Pole (street furniture) <input type="checkbox"/> Attach to Non-City Pole
Attachment Type Detail	<i>Standard concrete light pole (existing or replacement)</i>
Physical Description	<p><i>Mount antenna (no more than 16" diameter and no more than 40" height) in fiberglass enclosure painted to match pole and affixed to top of pole. Remote radiohead, power and fiber equipment concealed within stealth expanded base, not to exceed 2.5' in width and will be painted and designed to match exterior pole.</i></p> <p><i>Pole Replacement information for all standard lightpoles</i></p> <ul style="list-style-type: none"> • <i>14' existing pole to be replaced with new pole with a max height of 16.8'</i> • <i>19' existing pole to be replaced with new pole with a max height of 22.8'</i> • <i>24' existing pole to be replaced with new pole with a max height of 28.8'</i> • <i>29' existing pole to be replaced with new pole with a max height of 34.8'</i>
Concealment	<i>Antenna contained within enclosure painted to match pole. Cables run inside pole. Remote radiohead, power and fiber equipment concealed within stealth expanded base, not to exceed 2.5' in width and 4'1" in height. A maximum of an additional 2' above enclosure will be used to add decorative tapering.</i>

<p>Included Documents</p>	<p><i>The following documents:</i></p> <ul style="list-style-type: none"> <i>A. For each Attachment Type listed or checked above, an engineering drawing of replacement pole or existing pole with attached equipment. The drawing must show the location on the pole where each component of the Wireless Facility is attached or enclosed. Drawings should depict any underground portion of the typical installation for that Attachment Type.</i> <i>B. Photo showing an example of each Attachment Type listed or checked above.</i> <i>C. Photo mockup of each Attachment Type listed or checked above showing the appearance after the Approved Wireless Facility is installed.</i> <p><i>Engineering drawings and photo attachments should reflect the dimensions and characteristics of a representative actual City Pole or City Property Pole of the type to which the Approved Wireless Facility design applies rather than generic examples.</i></p> <p><i>Where there is considerable variation among City Poles/City Property Poles of a particular type (e.g. traffic signals), drawings can show a typical installation, provided that equipment volumes and attachment locations will not vary significantly from one installation to the next in ways that are material to the City's interests.</i></p>
<p>RF Compliance Information</p>	<p><i>X Facility conforms to information already on file <input type="checkbox"/> information attached</i></p>
<p>Comments</p>	



NOTES:

1. ALL DISTANCES, DIMENSIONS, LOCATIONS, EQUIPMENT DESIGNATIONS AND SPECIFICATIONS ARE APPROXIMATE.
2. ALL MATERIAL, COLOR & STYLE WILL MATCH CURRENTLY EXISTING MATERIALS AND WHERE NEEDED ANY RF FRIENDLY MATERIAL WILL BE PAINTED TO MATCH.
3. IT IS ASSUMED THAT ALL PROPOSED UTILITIES WILL BE ROUTED BELOW GRADE TO THE PROPOSED INSTALLATION.
4. THE PURPOSE OF THE DESIGN SHOWN IS TO SHOW A CONCEPTUAL DESIGN FOR THE REPLACEMENT/MODIFICATIONS OF EXISTING LIGHT POLE. THEREFORE, THESE DESIGNS ARE INHERENTLY APPROXIMATE IN NATURE AND SHOULD NOT BE USED AS AN EXACT, SCALED ENGINEERING DRAWING.
5. POLE REPLACEMENT HEIGHTS WILL VARY BASED ON REQUIRED ANTENNA HEIGHTS REQUESTED BY EXTENET SYSTEMS.
6. EQUIPMENT CLOSURE TO BE NO LARGER THAN (53"Hx26"Wx26"D).
7. ANTENNA TO BE NO LARGER THAN 16"Øx40"H.
8. 14' EXISTING POLE TO BE REPLACED WITH NEW POLE WITH A MAX HEIGHT OF 16.8'
19' EXISTING POLE TO BE REPLACED WITH NEW POLE WITH A MAX HEIGHT OF 22.8'
24' EXISTING POLE TO BE REPLACED WITH NEW POLE WITH A MAX HEIGHT OF 28.8'
29' EXISTING POLE TO BE REPLACED WITH NEW POLE WITH A MAX HEIGHT OF 34.8'
9. EXTENET SYSTEMS WILL PLACE SMALL PLACARD ON POLE IDENTIFYING OWNERSHIP/CONTACT INFORMATION.
10. LED LIGHT & LUMINAIRE ARM WILL BE AT SAME HEIGHT AS EXISTING
11. PROPOSED LIGHTING WILL CONFORM TO THE CITY OF BOSTON'S LIGHTING STANDARDS.
12. ORNAMENTAL DECORATIVE FIXTURES WILL BE IDENTICAL TO THE EXISTING FIXTURE UNLESS THE EXISTING FEATURE IS A METAL HALIDE OR HIGH PRESSURE SODIUM FIXTURE. IN THESE SCENARIOS, THE FIXTURE WILL BE UPGRADED TO AN APPROVED LED FIXTURE.

AERIATA LIGHT POLE WITH RRH CONCEALMENT



3030 WARRENVILLE RD
LISLE, IL 60532
(630) 505-3800
WWW.EXTENETSYSTEMS.COM

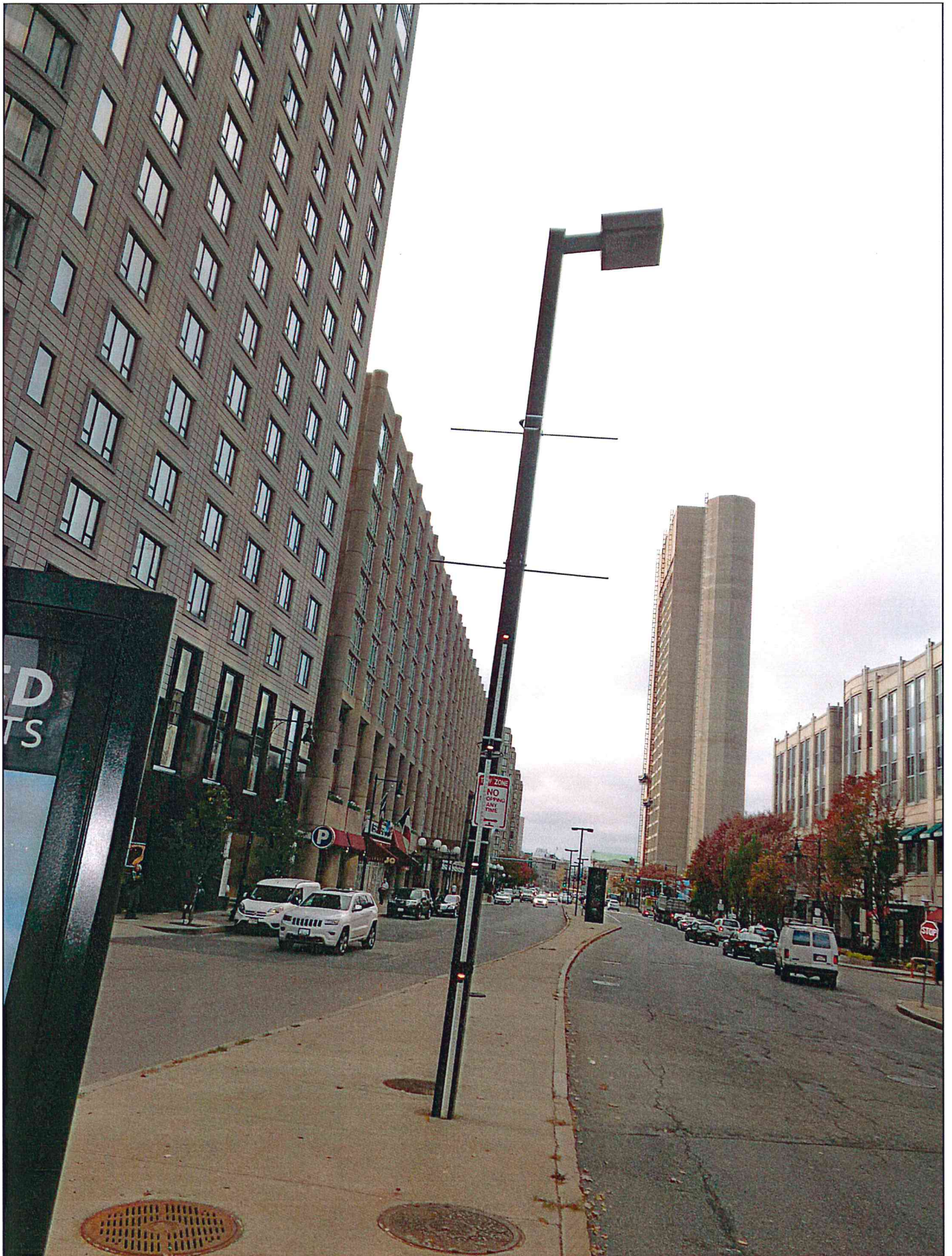


21 OXFORD RD
MANSFIELD, MA 02048
www.ucseng.com 1-508-337-7600

SUBMITTALS

REV	DATE	DESCRIPTION	INITIALS

X-2





JCDecaux



WHO KNEW YOU
COULD FIND SO MUCH
PERSONAL SPACE IN
A PUBLIC ONE?



FRIENDS
PUBLIC GARDEN

THE COMMON

THE GARDEN

THE MALL

in partnership with preservation.

friendsofthepublicgarden.org

100

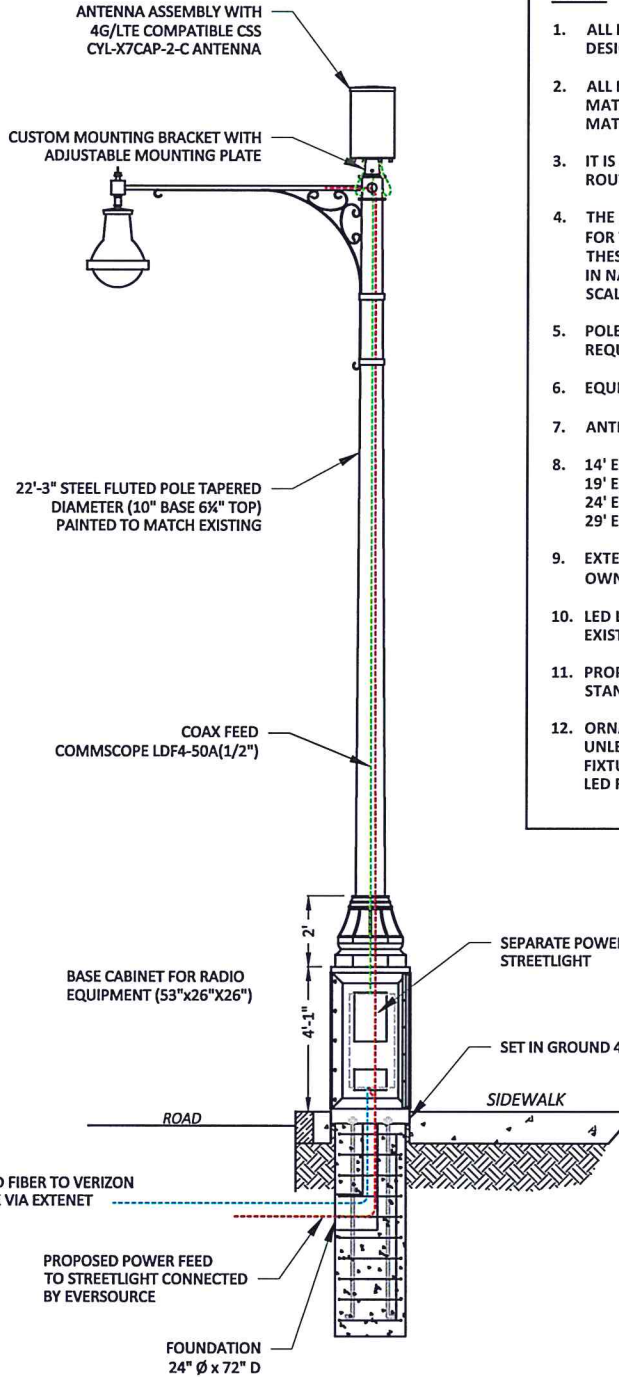
MIRRA

EXHIBIT X-3

SCHEDULE OF APPROVED WIRELESS FACILITIES

<p>Facility Number</p>	<p>X-3 Standard Pendant Light Pole (RRH Concealment)</p>
<p>Attachment Types <i>(check all that apply And provide detail below)</i></p>	<p><input checked="" type="checkbox"/> Replacement City Pole (streetlight) <input checked="" type="checkbox"/> Replacement City Property Pole (streetlight) <input type="checkbox"/> Attach to existing City Pole (streetlight) <input type="checkbox"/> Attach to existing City Property Pole (streetlight) <input type="checkbox"/> Attach to existing City Pole (traffic signal) <input type="checkbox"/> Attach to existing City Property Pole (traffic signal) <input type="checkbox"/> Attach to existing City Pole (street furniture) <input type="checkbox"/> Attach to existing City Property Pole (street furniture) <input type="checkbox"/> Attach to Non-City Pole</p>
<p>Attachment Type Detail</p>	<p><i>Standard Pendent light pole (existing or replacement)</i></p>
<p>Physical Description</p>	<p><i>Mount antenna no more than 16" diameter and no more than 40" height for standard antenna. Option two for the antenna (not to exceed more than 16" diameter and no more than 40" height) will include a fiberglass enclosure painted to match pole and affixed to top of pole with tapered extension. Remote radiohead, power and fiber equipment concealed within stealth expanded base, not to exceed 2.5' in width and will be painted and designed to match exterior pole.</i></p> <p><i>Pole Replacement information for all standard lightpoles:</i></p> <ul style="list-style-type: none"> • <i>14' existing pole to be replaced with new pole with a max height of 16.8'</i> • <i>19' existing pole to be replaced with new pole with a max height of 22.8'</i> • <i>24' existing pole to be replaced with new pole with a max height of 28.8'</i> • <i>29' existing pole to be replaced with new pole with a max height of 34.8'</i>
<p>Concealment</p>	<p><i>Antenna contained within enclosure painted and tapered to match pole. Cables run inside pole. Remote radiohead, power and fiber equipment concealed within stealth expanded base, not to exceed 2.5' in width and 4'1" in height. A maximum of an additional 2' above enclosure will be used to add decorative tapering.</i></p>

<p>Included Documents</p>	<p><i>The following documents:</i></p> <ul style="list-style-type: none"> <i>A. For each Attachment Type listed or checked above, an engineering drawing of replacement pole or existing pole with attached equipment. The drawing must show the location on the pole where each component of the Wireless Facility is attached or enclosed. Drawings should depict any underground portion of the typical installation for that Attachment Type.</i> <i>B. Photo showing an example of each Attachment Type listed or checked above.</i> <i>C. Photo mockup of each Attachment Type listed or checked above showing the appearance after the Approved Wireless Facility is installed.</i> <p><i>Engineering drawings and photo attachments should reflect the dimensions and characteristics of a representative actual City Pole or City Property Pole of the type to which the Approved Wireless Facility design applies rather than generic examples.</i></p> <p><i>Where there is considerable variation among City Poles/City Property Poles of a particular type (e.g. traffic signals), drawings can show a typical installation, provided that equipment volumes and attachment locations will not vary significantly from one installation to the next in ways that are material to the City's interests.</i></p>
<p>RF Compliance Information</p>	<p><i>X Facility conforms to information already on file <input type="checkbox"/> information attached</i></p>
<p>Comments</p>	



NOTES:

1. ALL DISTANCES, DIMENSIONS, LOCATIONS, EQUIPMENT DESIGNATIONS AND SPECIFICATIONS ARE APPROXIMATE.
2. ALL MATERIAL, COLOR & STYLE WILL MATCH CURRENTLY EXISTING MATERIALS AND WHERE NEEDED ANY RF FRIENDLY MATERIAL WILL BE PAINTED TO MATCH.
3. IT IS ASSUMED THAT ALL PROPOSED UTILITIES WILL BE ROUTED BELOW GRADE TO THE PROPOSED INSTALLATION.
4. THE PURPOSE OF THE DESIGN SHOWN IS TO SHOW A CONCEPTUAL DESIGN FOR THE REPLACEMENT/MODIFICATIONS OF EXISTING LIGHT POLE. THEREFORE, THESE DESIGNS ARE INHERENTLY APPROXIMATE IN NATURE AND SHOULD NOT BE USED AS AN EXACT, SCALED ENGINEERING DRAWING.
5. POLE REPLACEMENT HEIGHTS WILL VARY BASED ON REQUIRED ANTENNA HEIGHTS REQUESTED BY EXTENET SYSTEMS.
6. EQUIPMENT CLOSURE TO BE NO LARGER THAN (53"Hx26"Wx26"D).
7. ANTENNA TO BE NO LARGER THAN 16"Øx40"H.
8. 14' EXISTING POLE TO BE REPLACED WITH NEW POLE WITH A MAX HEIGHT OF 16.8'
- 19' EXISTING POLE TO BE REPLACED WITH NEW POLE WITH A MAX HEIGHT OF 22.8'
- 24' EXISTING POLE TO BE REPLACED WITH NEW POLE WITH A MAX HEIGHT OF 28.8'
- 29' EXISTING POLE TO BE REPLACED WITH NEW POLE WITH A MAX HEIGHT OF 34.8'
9. EXTENET SYSTEMS WILL PLACE SMALL PLACARD ON POLE IDENTIFYING OWNERSHIP/CONTACT INFORMATION.
10. LED LIGHT & LUMINAIRE ARM WILL BE AT SAME HEIGHT AS EXISTING
11. PROPOSED LIGHTING WILL CONFORM TO THE CITY OF BOSTON'S LIGHTING STANDARDS.
12. ORNAMENTAL DECORATIVE FIXTURES WILL BE IDENTICAL TO THE EXISTING FIXTURE UNLESS THE EXISTING FEATURE IS A METAL HALIDE OR HIGH PRESSURE SODIUM FIXTURE. IN THESE SCENARIOS, THE FIXTURE WILL BE UPGRADED TO AN APPROVED LED FIXTURE.



ANTENNA OPTION 2

PENDANT LIGHT POLE WITH RRH CONCEALMENT

SUBMITTALS

REV	DATE	DESCRIPTION	INITIALS
1	6/22/17	ADDED OPTION 2	LS

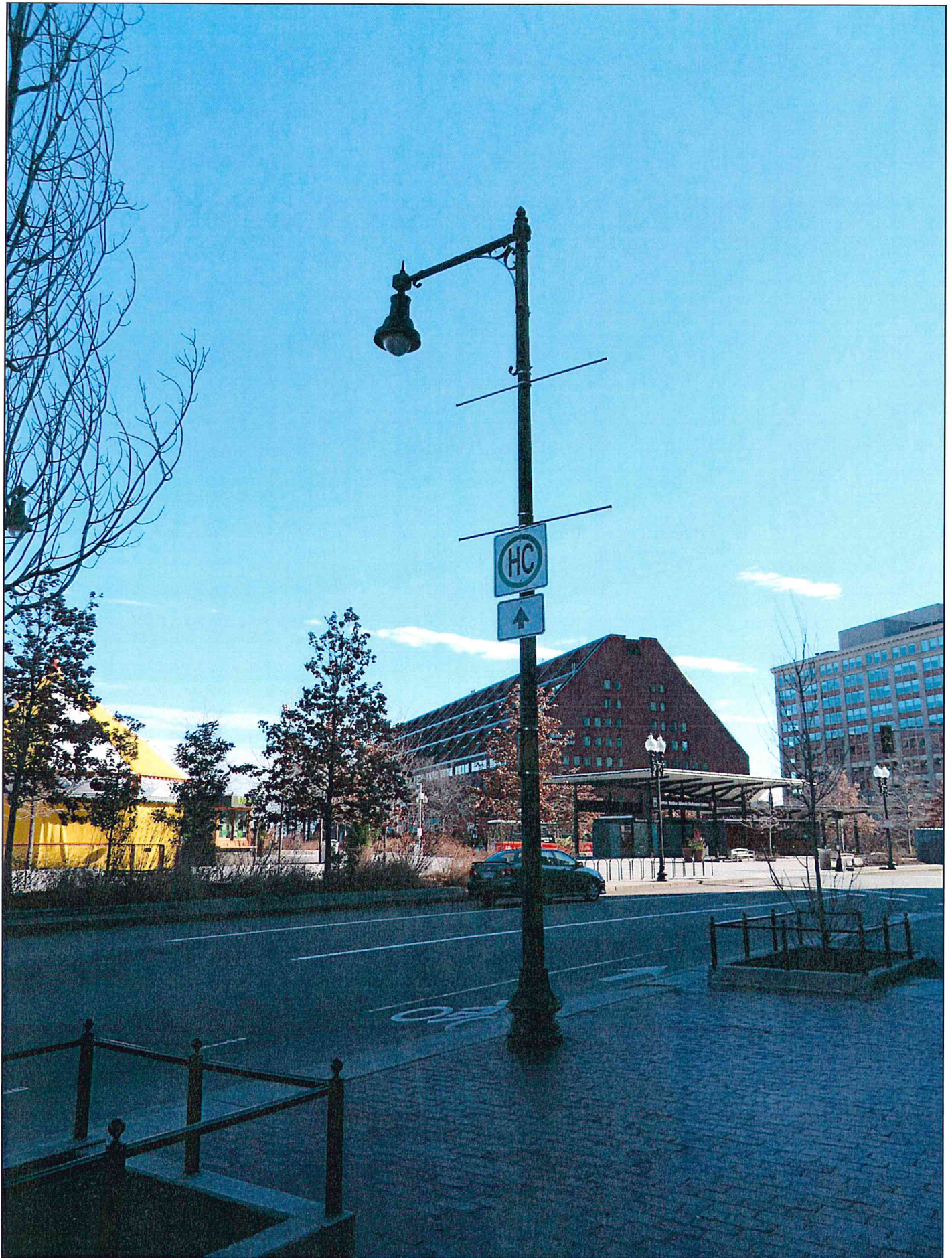
X-3

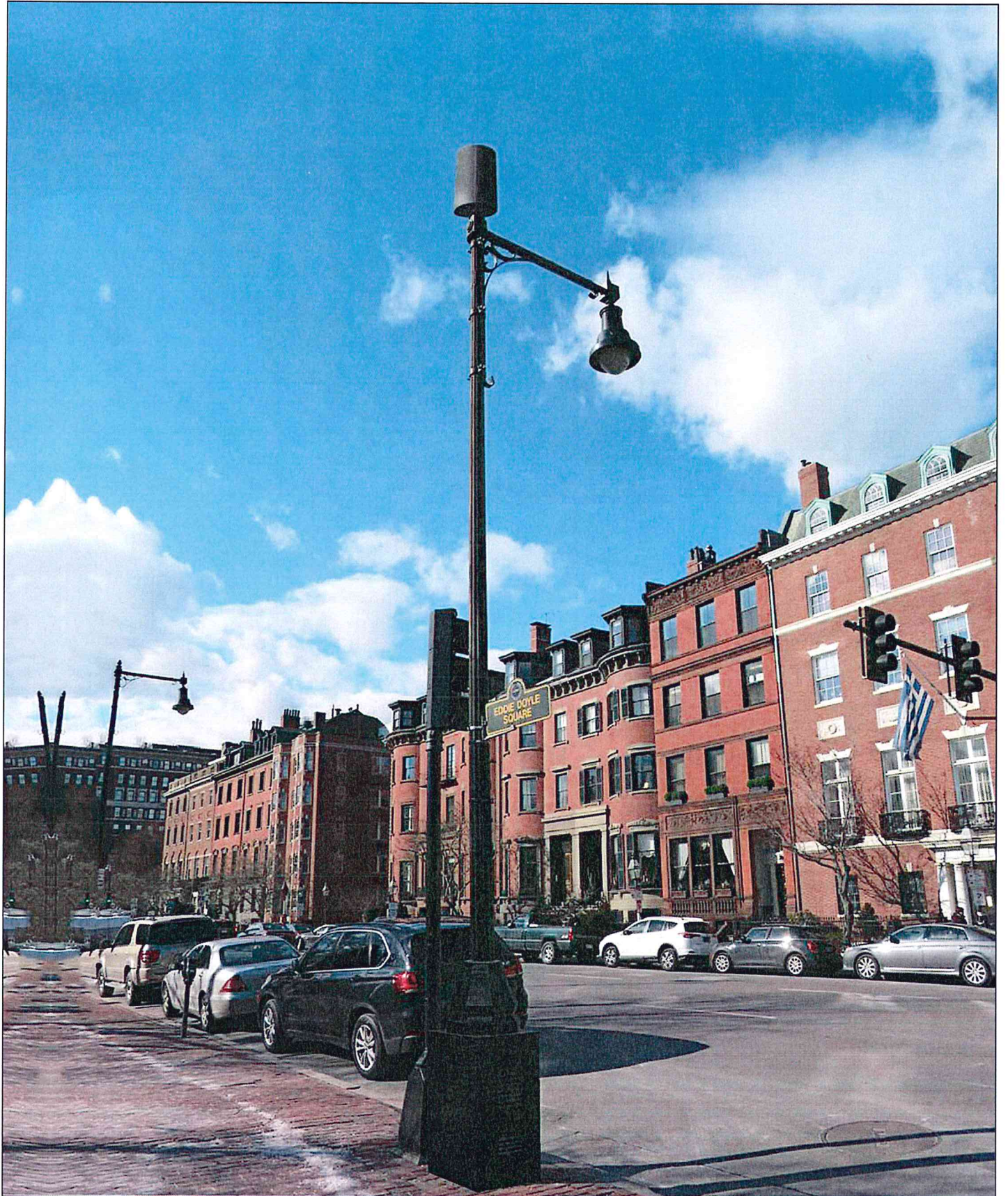


3030 WARRENVILLE RD
LISLE, IL 60532
(630) 505-3800
WWW.EXTENETSYSTEMS.COM



21 OXFORD RD
MANSFIELD, MA 02048
www.ucseng.com 1-508-337-7600





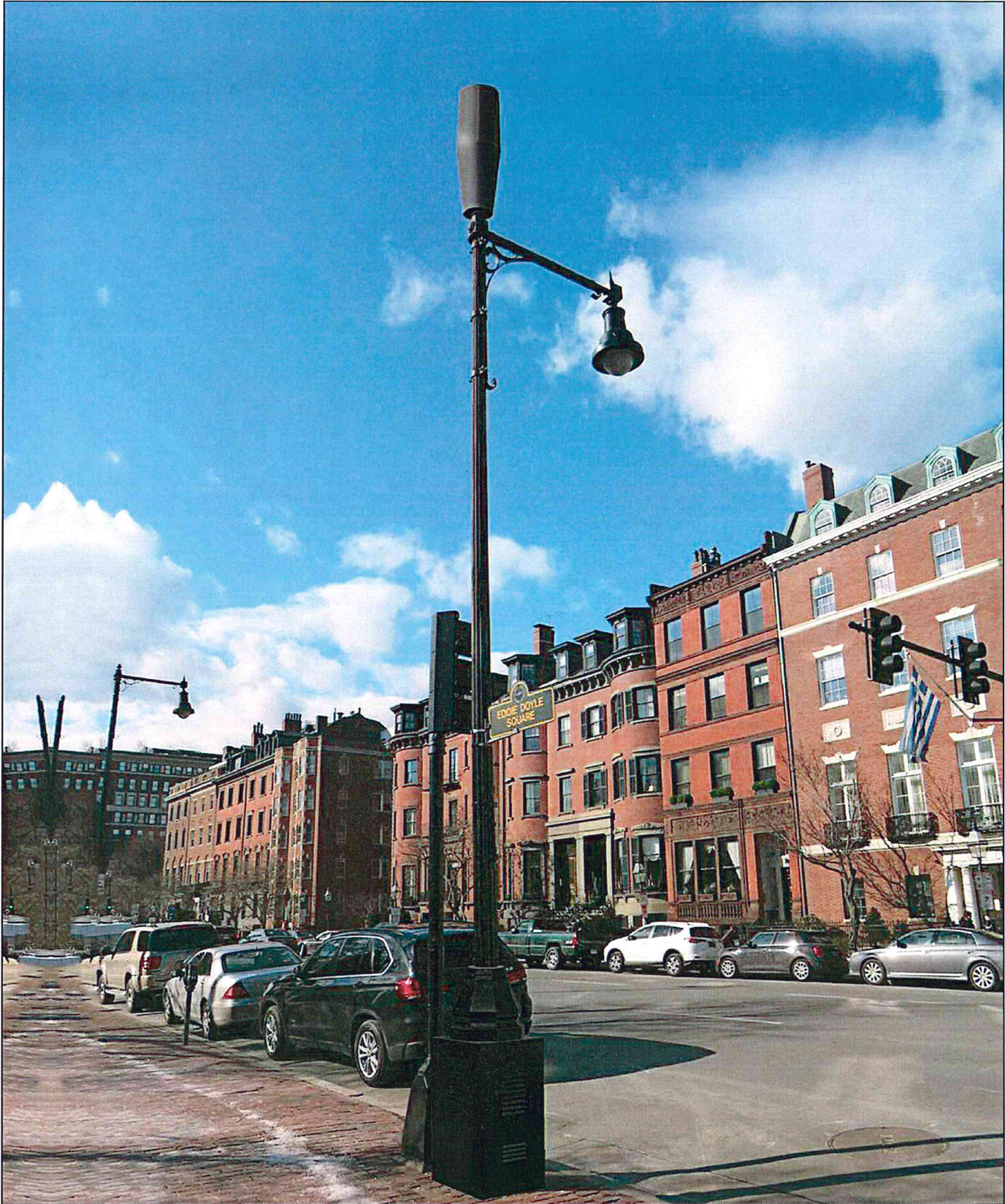
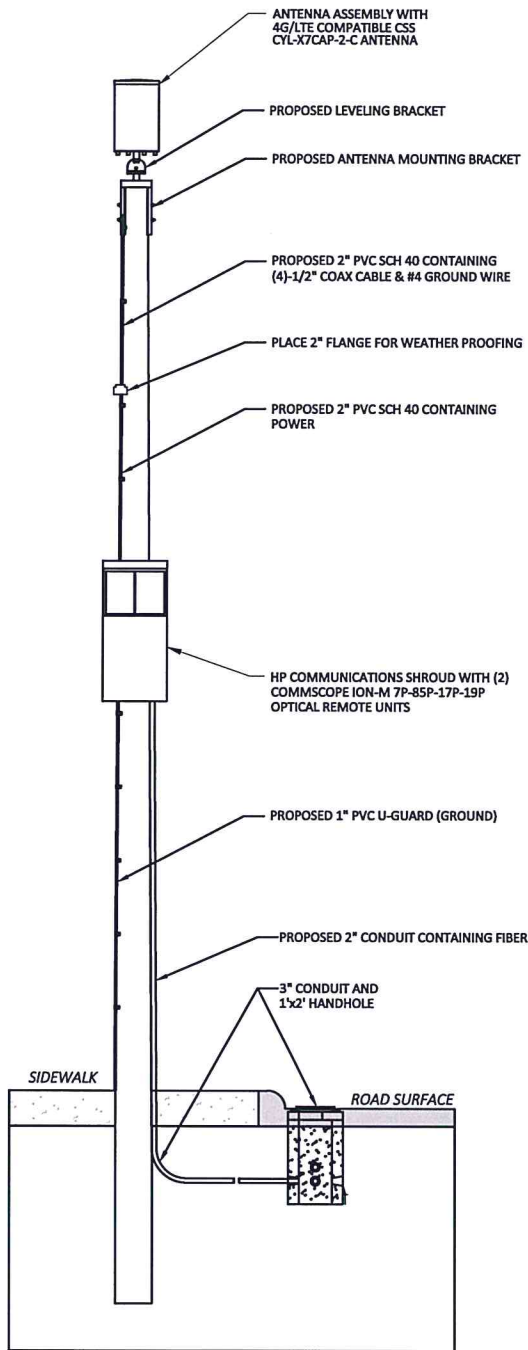


EXHIBIT X-4

SCHEDULE OF APPROVED WIRELESS FACILITIES

Facility Number	X-4 Wood Utility Pole with Antenna Top Mount
Attachment Types <i>(check all that apply And provide detail below)</i>	<input type="checkbox"/> Replacement City Pole (streetlight) <input type="checkbox"/> Replacement City Property Pole (streetlight) <input type="checkbox"/> Attach to existing City Pole (streetlight) <input type="checkbox"/> Attach to existing City Property Pole (streetlight) <input type="checkbox"/> Attach to existing City Pole (traffic signal) <input type="checkbox"/> Attach to existing City Property Pole (traffic signal) <input type="checkbox"/> Attach to existing City Pole (street furniture) <input type="checkbox"/> Attach to existing City Property Pole (street furniture) <input checked="" type="checkbox"/> Attach to Non-City Pole (Top Mount)
Attachment Type Detail	<i>Standard wood utility pole (existing or replacement)</i>
Physical Description	<p><i>Mount antenna (no more than 16" diameter and no more than 40" height) affixed to top of utility pole. Remote radiohead, power and fiber equipment mounted to pole within stealth shroud and will be painted to match exterior pole.</i></p> <p><i>Pole Replacement information for all standard wooden utility poles.</i></p> <ul style="list-style-type: none"> • <i>14' existing pole to be replaced with new pole with a max height of 16.8'</i> • <i>19' existing pole to be replaced with new pole with a max height of 22.8'</i> • <i>24' existing pole to be replaced with new pole with a max height of 28.8'</i> • <i>29' existing pole to be replaced with new pole with a max height of 34.8'</i>
Concealment	<i>Antenna contained within enclosure painted to match pole. Remote radiohead, power and fiber equipment mounted to Pole within stealth shroud and will be painted to match exterior of Pole.</i>

<p>Included Documents</p>	<p><i>The following documents:</i></p> <ul style="list-style-type: none"> <i>A. For each Attachment Type listed or checked above, an engineering drawing of replacement pole or existing pole with attached equipment. The drawing must show the location on the pole where each component of the Wireless Facility is attached or enclosed. Drawings should depict any underground portion of the typical installation for that Attachment Type.</i> <i>B. Photo showing an example of each Attachment Type listed or checked above.</i> <i>C. Photo mockup of each Attachment Type listed or checked above showing the appearance after the Approved Wireless Facility is installed.</i> <p><i>Engineering drawings and photo attachments should reflect the dimensions and characteristics of a representative actual City Pole or City Property Pole of the type to which the Approved Wireless Facility design applies rather than generic examples.</i></p> <p><i>Where there is considerable variation among City Poles/City Property Poles of a particular type (e.g. traffic signals), drawings can show a typical installation, provided that equipment volumes and attachment locations will not vary significantly from one installation to the next in ways that are material to the City's interests.</i></p>
<p>RF Compliance Information</p>	<p><i>X Facility conforms to information already on file <input type="checkbox"/> information attached</i></p>
<p>Comments</p>	



NOTES:

1. ALL DISTANCES, DIMENSIONS, LOCATIONS, EQUIPMENT DESIGNATIONS AND SPECIFICATIONS ARE APPROXIMATE.
2. ALL MATERIAL, COLOR & STYLE WILL MATCH CURRENTLY EXISTING MATERIALS AND WHERE NEEDED ANY RF FRIENDLY MATERIAL WILL BE PAINTED TO MATCH.
3. IT IS ASSUMED THAT ALL PROPOSED UTILITIES WILL BE ROUTED BELOW GRADE TO THE PROPOSED INSTALLATION.
4. THE PURPOSE OF THE DESIGN SHOWN IS TO SHOW A CONCEPTUAL DESIGN FOR THE REPLACEMENT/MODIFICATIONS OF EXISTING LIGHT POLE. THEREFORE, THESE DESIGNS ARE INHERENTLY APPROXIMATE IN NATURE AND SHOULD NOT BE USED AS AN EXACT, SCALED ENGINEERING DRAWING.
5. POLE REPLACEMENT HEIGHTS WILL VARY BASED ON REQUIRED ANTENNA HEIGHTS REQUESTED BY EXTENET SYSTEMS.
6. EQUIPMENT CLOSURE TO BE NO LARGER THAN (53"Hx26"Wx26"D).
7. ANTENNA TO BE NO LARGER THAN 16"Øx40"H.
8. 14' EXISTING POLE TO BE REPLACED WITH NEW POLE WITH A MAX HEIGHT OF 16.8'
19' EXISTING POLE TO BE REPLACED WITH NEW POLE WITH A MAX HEIGHT OF 22.8'
24' EXISTING POLE TO BE REPLACED WITH NEW POLE WITH A MAX HEIGHT OF 28.8'
29' EXISTING POLE TO BE REPLACED WITH NEW POLE WITH A MAX HEIGHT OF 34.8'
9. EXTENET SYSTEMS WILL PLACE SMALL PLACARD ON POLE IDENTIFYING OWNERSHIP/CONTACT INFORMATION.
10. LED LIGHT & LUMINAIRE ARM WILL BE AT SAME HEIGHT AS EXISTING
11. PROPOSED LIGHTING WILL CONFORM TO THE CITY OF BOSTON'S LIGHTING STANDARDS.
12. ORNAMENTAL DECORATIVE FIXTURES WILL BE IDENTICAL TO THE EXISTING FIXTURE UNLESS THE EXISTING FEATURE IS A METAL HALIDE OR HIGH PRESSURE SODIUM FIXTURE. IN THESE SCENARIOS, THE FIXTURE WILL BE UPGRADED TO AN APPROVED LED FIXTURE.

**WOOD UTILITY POLE
WITH ANTENNA TOP MOUNT**



3030 WARRENVILLE RD
LISLE, IL 60532
(630) 505-3800
WWW.EXTENETSYSTEMS.COM



21 OXFORD RD
MANSFIELD, MA 02048
www.ucseng.com 1-508-337-7600

SUBMITTALS

REV	DATE	DESCRIPTION	INITIALS

X-4



2015. 7. 28 10:50



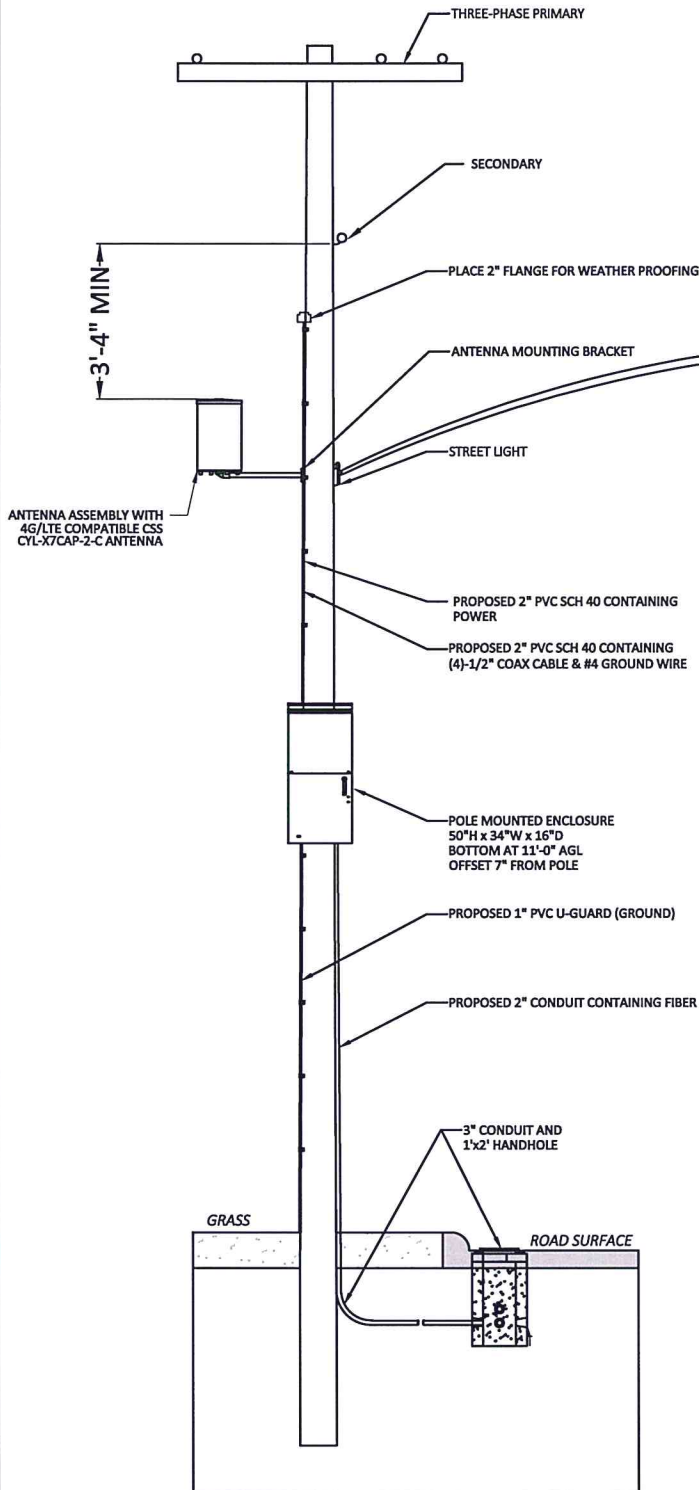
2015. 7. 28 10:50

EXHIBIT X-5

SCHEDULE OF APPROVED WIRELESS FACILITIES

Facility Number	X-5 Wood Utility Pole with Antenna Side Mount
Attachment Types <i>(check all that apply And provide detail below)</i>	<input type="checkbox"/> Replacement City Pole (streetlight) <input type="checkbox"/> Replacement City Property Pole (streetlight) <input type="checkbox"/> Attach to existing City Pole (streetlight) <input type="checkbox"/> Attach to existing City Property Pole (streetlight) <input type="checkbox"/> Attach to existing City Pole (traffic signal) <input type="checkbox"/> Attach to existing City Property Pole (traffic signal) <input type="checkbox"/> Attach to existing City Pole (street furniture) <input type="checkbox"/> Attach to existing City Property Pole (street furniture) <input checked="" type="checkbox"/> Attach to Non-City Pole (side mount)
Attachment Type Detail	<i>Standard concrete light pole (existing or replacement)</i>
Physical Description	<p><i>Mount antenna (no more than 16" diameter and no more than 40" height) in fiberglass enclosure painted to match pole and affixed to the side of the Pole. Remote radiohead, power and fiber equipment mounted on side of pole within stealth shroud and will be painted to match exterior pole.</i></p> <p><i>Pole Replacement information for all standard utility poles.</i></p> <ul style="list-style-type: none"> <i>• 14' existing pole to be replaced with new pole with a max height of 16.8'</i> <i>• 19' existing pole to be replaced with new pole with a max height of 22.8'</i> <i>• 24' existing pole to be replaced with new pole with a max height of 28.8'</i> <i>• 29' existing pole to be replaced with new pole with a max height of 34.8'</i>
Concealment	<i>Antenna contained within enclosure painted and tapered to match pole. Cables run inside pole. Remote radiohead, power and fiber equipment mounted on Pole within stealth shroud.</i>

<p>Included Documents</p>	<p><i>The following documents:</i></p> <p>A. <i>For each Attachment Type listed or checked above, an engineering drawing of replacement pole or existing pole with attached equipment. The drawing must show the location on the pole where each component of the Wireless Facility is attached or enclosed. Drawings should depict any underground portion of the typical installation for that Attachment Type.</i></p> <p>B. <i>Photo showing an example of each Attachment Type listed or checked above.</i></p> <p>C. <i>Photo mockup of each Attachment Type listed or checked above showing the appearance after the Approved Wireless Facility is installed.</i></p> <p><i>Engineering drawings and photo attachments should reflect the dimensions and characteristics of a representative actual City Pole or City Property Pole of the type to which the Approved Wireless Facility design applies rather than generic examples.</i></p> <p><i>Where there is considerable variation among City Poles/City Property Poles of a particular type (e.g. traffic signals), drawings can show a typical installation, provided that equipment volumes and attachment locations will not vary significantly from one installation to the next in ways that are material to the City's interests.</i></p>
<p>RF Compliance Information</p>	<p>X Facility conforms to information already on file <input type="checkbox"/> information attached</p>
<p>Comments</p>	



NOTES:

1. ALL DISTANCES, DIMENSIONS, LOCATIONS, EQUIPMENT DESIGNATIONS AND SPECIFICATIONS ARE APPROXIMATE.
2. ALL MATERIAL, COLOR & STYLE WILL MATCH CURRENTLY EXISTING MATERIALS AND WHERE NEEDED ANY RF FRIENDLY MATERIAL WILL BE PAINTED TO MATCH.
3. IT IS ASSUMED THAT ALL PROPOSED UTILITIES WILL BE ROUTED BELOW GRADE TO THE PROPOSED INSTALLATION.
4. THE PURPOSE OF THE DESIGN SHOWN IS TO SHOW A CONCEPTUAL DESIGN FOR THE REPLACEMENT/MODIFICATIONS OF EXISTING LIGHT POLE. THEREFORE, THESE DESIGNS ARE INHERENTLY APPROXIMATE IN NATURE AND SHOULD NOT BE USED AS AN EXACT, SCALED ENGINEERING DRAWING.
5. POLE REPLACEMENT HEIGHTS WILL VARY BASED ON REQUIRED ANTENNA HEIGHTS REQUESTED BY EXTENET SYSTEMS.
6. EQUIPMENT CLOSURE TO BE NO LARGER THAN (53"Hx26"Wx26"D).
7. ANTENNA TO BE NO LARGER THAN 16"Øx40"H.
8. 14' EXISTING POLE TO BE REPLACED WITH NEW POLE WITH A MAX HEIGHT OF 16.8'
19' EXISTING POLE TO BE REPLACED WITH NEW POLE WITH A MAX HEIGHT OF 22.8'
24' EXISTING POLE TO BE REPLACED WITH NEW POLE WITH A MAX HEIGHT OF 28.8'
29' EXISTING POLE TO BE REPLACED WITH NEW POLE WITH A MAX HEIGHT OF 34.8'
9. EXTENET SYSTEMS WILL PLACE SMALL PLACARD ON POLE IDENTIFYING OWNERSHIP/CONTACT INFORMATION.
10. LED LIGHT & LUMINAIRE ARM WILL BE AT SAME HEIGHT AS EXISTING
11. PROPOSED LIGHTING WILL CONFORM TO THE CITY OF BOSTON'S LIGHTING STANDARDS.
12. ORNAMENTAL DECORATIVE FIXTURES WILL BE IDENTICAL TO THE EXISTING FIXTURE UNLESS THE EXISTING FEATURE IS A METAL HALIDE OR HIGH PRESSURE SODIUM FIXTURE. IN THESE SCENARIOS, THE FIXTURE WILL BE UPGRADED TO AN APPROVED LED FIXTURE.

**WOOD UTILITY POLE
WITH ANTENNA SIDE MOUNT**



3030 WARRENVILLE RD
LISLE, IL 60532
(630) 505-3800
WWW.EXTENETSYSTEMS.COM



21 OXFORD RD
MANSFIELD, MA 02048
www.ucseeng.com 1-508-337-7600

SUBMITTALS

REV	DATE	DESCRIPTION	INITIALS

X-5



2015. 9. 22 11:22



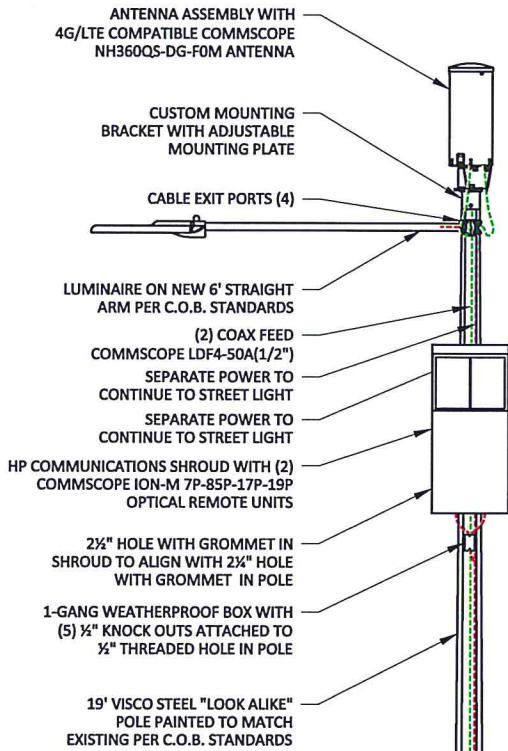
2015. 9. 22 11:22

EXHIBIT X-13

SCHEDULE OF APPROVED WIRELESS FACILITIES

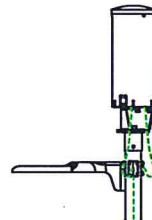
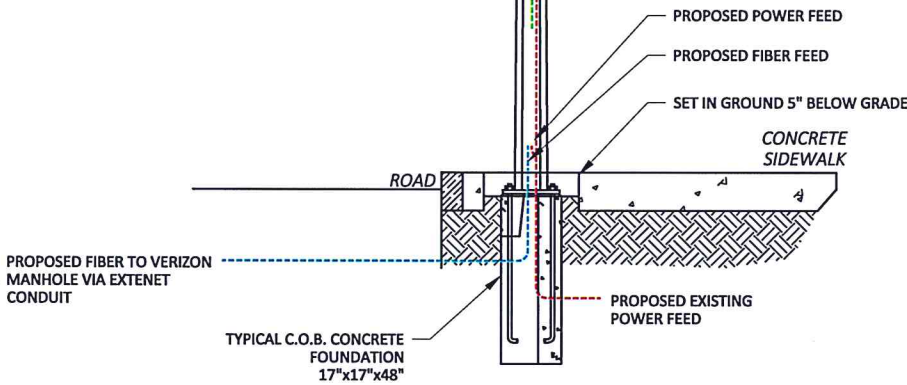
<p>Facility Number</p>	<p>X-13 Concrete Light Pole with Aeriata Light or Cobra Light (Pole Mounted Shroud)</p>
<p>Attachment Types <i>(check all that apply And provide detail below)</i></p>	<p><input checked="" type="checkbox"/> Replacement City Pole (streetlight) <input checked="" type="checkbox"/> Replacement City Property Pole (streetlight) <input type="checkbox"/> Attach to existing City Pole (streetlight) <input type="checkbox"/> Attach to existing City Property Pole (streetlight) <input type="checkbox"/> Attach to existing City Pole (traffic signal) <input type="checkbox"/> Attach to existing City Property Pole (traffic signal) <input type="checkbox"/> Attach to existing City Pole (street furniture) <input type="checkbox"/> Attach to existing City Property Pole (street furniture) <input type="checkbox"/> Attach to Non-City Pole</p>
<p>Attachment Type Detail</p>	<p><i>Standard concrete light pole (existing or replacement)</i></p>
<p>Physical Description</p>	<p><i>Mount antenna (no more than 16" diameter and no more than 40" height) painted to match pole and affixed to top of pole. Remote radiohead, power and fiber equipment mounted on Pole within stealth shroud.</i></p> <p><i>Pole Replacement information for all standard lightpoles</i></p> <ul style="list-style-type: none"> • <i>14' existing pole to be replaced with new pole with a max height of 16.8'</i> • <i>19' existing pole to be replaced with new pole with a max height of 22.8'</i> • <i>24' existing pole to be replaced with new pole with a max height of 28.8'</i> • <i>29' existing pole to be replaced with new pole with a max height of 34.8'</i>
<p>Concealment</p>	<p><i>Antenna contained within enclosure painted and tapered to match pole. Cables run inside pole. Remote radiohead, power and fiber equipment mounted on Pole within stealth shroud.</i></p>

<p>Included Documents</p>	<p><i>The following documents:</i></p> <p>A. <i>For each Attachment Type listed or checked above, an engineering drawing of replacement pole or existing pole with attached equipment. The drawing must show the location on the pole where each component of the Wireless Facility is attached or enclosed. Drawings should depict any underground portion of the typical installation for that Attachment Type.</i></p> <p>B. <i>Photo showing an example of each Attachment Type listed or checked above.</i></p> <p>C. <i>Photo mockup of each Attachment Type listed or checked above showing the appearance after the Approved Wireless Facility is installed.</i></p> <p><i>Engineering drawings and photo attachments should reflect the dimensions and characteristics of a representative actual City Pole or City Property Pole of the type to which the Approved Wireless Facility design applies rather than generic examples.</i></p> <p><i>Where there is considerable variation among City Poles/City Property Poles of a particular type (e.g. traffic signals), drawings can show a typical installation, provided that equipment volumes and attachment locations will not vary significantly from one installation to the next in ways that are material to the City's interests.</i></p>
<p>RF Compliance Information</p>	<p>X Facility conforms to information already on file <input type="checkbox"/> information attached</p>
<p>Comments</p>	



NOTES:

1. ALL DISTANCES, DIMENSIONS, LOCATIONS, EQUIPMENT DESIGNATIONS AND SPECIFICATIONS ARE APPROXIMATE.
2. ALL MATERIAL, COLOR & STYLE WILL MATCH CURRENTLY EXISTING MATERIALS AND WHERE NEEDED ANY RF FRIENDLY MATERIAL WILL BE PAINTED TO MATCH.
3. IT IS ASSUMED THAT ALL PROPOSED UTILITIES WILL BE ROUTED BELOW GRADE TO THE PROPOSED INSTALLATION.
4. THE PURPOSE OF THE DESIGN SHOWN IS TO SHOW A CONCEPTUAL DESIGN FOR THE REPLACEMENT/MODIFICATIONS OF EXISTING LIGHT POLE. THEREFORE, THESE DESIGNS ARE INHERENTLY APPROXIMATE IN NATURE AND SHOULD NOT BE USED AS AN EXACT, SCALED ENGINEERING DRAWING.
5. POLE REPLACEMENT HEIGHTS WILL VARY BASED ON REQUIRED ANTENNA HEIGHTS REQUESTED BY EXTENET SYSTEMS.
6. EQUIPMENT CLOSURE TO BE NO LARGER THAN (53"Hx26"Wx26"D).
7. ANTENNA TO BE NO LARGER THAN 16"Øx40"H.
8. 14' EXISTING POLE TO BE REPLACED WITH NEW POLE WITH A MAX HEIGHT OF 16.8'
 19' EXISTING POLE TO BE REPLACED WITH NEW POLE WITH A MAX HEIGHT OF 22.8'
 24' EXISTING POLE TO BE REPLACED WITH NEW POLE WITH A MAX HEIGHT OF 28.8'
 29' EXISTING POLE TO BE REPLACED WITH NEW POLE WITH A MAX HEIGHT OF 34.8'
9. EXTENET SYSTEMS WILL PLACE SMALL PLACARD ON POLE IDENTIFYING OWNERSHIP/CONTACT INFORMATION.
10. LED LIGHT & LUMINAIRE ARM WILL BE AT SAME HEIGHT AS EXISTING
11. PROPOSED LIGHTING WILL CONFORM TO THE CITY OF BOSTON'S LIGHTING STANDARDS.
12. ORNAMENTAL DECORATIVE FIXTURES WILL BE IDENTICAL TO THE EXISTING FIXTURE UNLESS THE EXISTING FEATURE IS A METAL HALIDE OR HIGH PRESSURE SODIUM FIXTURE. IN THESE SCENARIOS, THE FIXTURE WILL BE UPGRADED TO AN APPROVED LED FIXTURE.



LUMINAIRE OPTION 2

STANDARD AERIATA LIGHT POLE WITH POLE MOUNTED ENCLOSURE

SUBMITTALS

REV	DATE	DESCRIPTION	INITIALS
1	6/23/17	ADDED OPTION 2	TLLA

X-13

extenet

YOUR NETWORK.
EVERYWHERE.

SYSTEMS

3030 WARRENVILLE RD
LISLE, IL 60532
(630) 505-3800
WWW.EXTENETSYSTEMS.COM

UC SYNERGETIC

Innovative Thinking. Engineered Solutions.

21 OXFORD RD
MANSFIELD, MA 02048
www.ucseng.com 1-508-337-7600



2014.10.28 11:57





2014.10.27 22:46

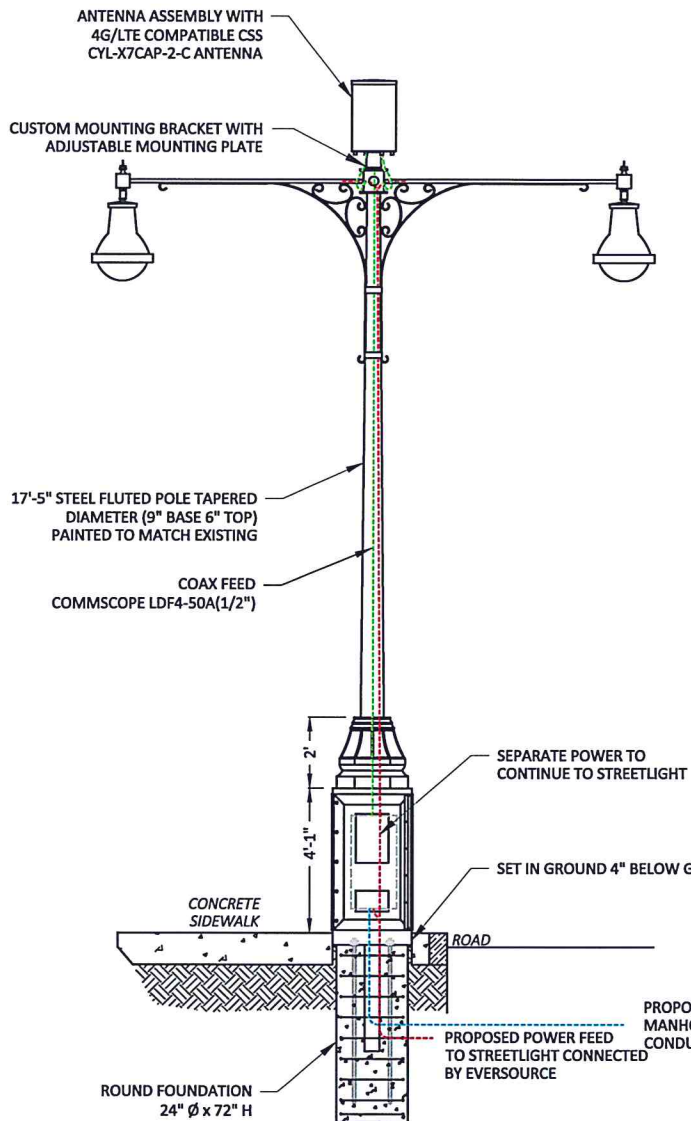


EXHIBIT X-14

SCHEDULE OF APPROVED WIRELESS FACILITIES

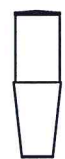
Facility Number	X-14 Standard Double Pendant Light Pole (RRH Concealment)
Attachment Types <i>(check all that apply And provide detail below)</i>	<input checked="" type="checkbox"/> Replacement City Pole (streetlight) <input checked="" type="checkbox"/> Replacement City Property Pole (streetlight) <input type="checkbox"/> Attach to existing City Pole (streetlight) <input type="checkbox"/> Attach to existing City Property Pole (streetlight) <input type="checkbox"/> Attach to existing City Pole (traffic signal) <input type="checkbox"/> Attach to existing City Property Pole (traffic signal) <input type="checkbox"/> Attach to existing City Pole (street furniture) <input type="checkbox"/> Attach to existing City Property Pole (street furniture) <input type="checkbox"/> Attach to Non-City Pole
Attachment Type Detail	<i>Standard dual pendant light pole (existing or replacement)</i>
Physical Description	<p><i>Mount antenna no more than 16" diameter and no more than 40" height for standard antenna. Option two for the antenna (not to exceed more than 16" diameter and no more than 40" height) will include a fiberglass enclosure painted to match pole and affixed to top of pole with tapered extension. Remote radiohead, power and fiber equipment concealed within stealth expanded base, not to exceed 2.5' in width and will be painted and designed to match exterior pole.</i></p> <p><i>Pole Replacement information for all standard lightpoles</i></p> <ul style="list-style-type: none"> <i>• 14' existing pole to be replaced with new pole with a max height of 16.8'</i> <i>• 19' existing pole to be replaced with new pole with a max height of 22.8'</i> <i>• 24' existing pole to be replaced with new pole with a max height of 28.8'</i> <i>• 29' existing pole to be replaced with new pole with a max height of 34.8'</i>
Concealment	<i>Antenna contained within enclosure painted and tapered to match pole. Cables run inside pole. Remote radiohead, power and fiber equipment concealed within stealth expanded base, not to exceed 2.5' in width and 4'1" in height. A maximum of an additional 2' above enclosure will be used to add decorative tapering.</i>

<p>Included Documents</p>	<p><i>The following documents:</i></p> <ul style="list-style-type: none"> A. <i>For each Attachment Type listed or checked above, an engineering drawing of replacement pole or existing pole with attached equipment. The drawing must show the location on the pole where each component of the Wireless Facility is attached or enclosed. Drawings should depict any underground portion of the typical installation for that Attachment Type.</i> B. <i>Photo showing an example of each Attachment Type listed or checked above.</i> C. <i>Photo mockup of each Attachment Type listed or checked above showing the appearance after the Approved Wireless Facility is installed.</i> <p><i>Engineering drawings and photo attachments should reflect the dimensions and characteristics of a representative actual City Pole or City Property Pole of the type to which the Approved Wireless Facility design applies rather than generic examples.</i></p> <p><i>Where there is considerable variation among City Poles/City Property Poles of a particular type (e.g. traffic signals), drawings can show a typical installation, provided that equipment volumes and attachment locations will not vary significantly from one installation to the next in ways that are material to the City's interests.</i></p>
<p>RF Compliance Information</p>	<p>X Facility conforms to information already on file <input type="checkbox"/> information attached</p>
<p>Comments</p>	



NOTES:

1. ALL DISTANCES, DIMENSIONS, LOCATIONS, EQUIPMENT DESIGNATIONS AND SPECIFICATIONS ARE APPROXIMATE.
2. ALL MATERIAL, COLOR & STYLE WILL MATCH CURRENTLY EXISTING MATERIALS AND WHERE NEEDED ANY RF FRIENDLY MATERIAL WILL BE PAINTED TO MATCH.
3. IT IS ASSUMED THAT ALL PROPOSED UTILITIES WILL BE ROUTED BELOW GRADE TO THE PROPOSED INSTALLATION.
4. THE PURPOSE OF THE DESIGN SHOWN IS TO SHOW A CONCEPTUAL DESIGN FOR THE REPLACEMENT/MODIFICATIONS OF EXISTING LIGHT POLE. THEREFORE, THESE DESIGNS ARE INHERENTLY APPROXIMATE IN NATURE AND SHOULD NOT BE USED AS AN EXACT, SCALED ENGINEERING DRAWING.
5. POLE REPLACEMENT HEIGHTS WILL VARY BASED ON REQUIRED ANTENNA HEIGHTS REQUESTED BY EXTENET SYSTEMS.
6. EQUIPMENT CLOSURE TO BE NO LARGER THAN (53"Hx26"Wx26"D).
7. ANTENNA TO BE NO LARGER THAN 16"Øx40"H.
8. 14' EXISTING POLE TO BE REPLACED WITH NEW POLE WITH A MAX HEIGHT OF 16.8'
 19' EXISTING POLE TO BE REPLACED WITH NEW POLE WITH A MAX HEIGHT OF 22.8'
 24' EXISTING POLE TO BE REPLACED WITH NEW POLE WITH A MAX HEIGHT OF 28.8'
 29' EXISTING POLE TO BE REPLACED WITH NEW POLE WITH A MAX HEIGHT OF 34.8'
9. EXTENET SYSTEMS WILL PLACE SMALL PLACARD ON POLE IDENTIFYING OWNERSHIP/CONTACT INFORMATION.
10. LED LIGHT & LUMINAIRE ARM WILL BE AT SAME HEIGHT AS EXISTING
11. PROPOSED LIGHTING WILL CONFORM TO THE CITY OF BOSTON'S LIGHTING STANDARDS.
12. ORNAMENTAL DECORATIVE FIXTURES WILL BE IDENTICAL TO THE EXISTING FIXTURE UNLESS THE EXISTING FEATURE IS A METAL HALIDE OR HIGH PRESSURE SODIUM FIXTURE. IN THESE SCENARIOS, THE FIXTURE WILL BE UPGRADED TO AN APPROVED LED FIXTURE.



ANTENNA OPTION 2

STANDARD DOUBLE PENDANT LIGHT POLE WITH RRH CONCEALMENT

extenet YOUR NETWORK EVERYWHERE.
 SYSTEMS
 3030 WARRENVILLE RD
 Lisle, IL 60532
 (630) 505-3800
 WWW.EXTENETSYSTEMS.COM

UC SYNERGETIC
 Innovative Thinking. Engineered Solutions.
 21 OXFORD RD
 MANSFIELD, MA 02048
 www.ucseeng.com 1-508-337-7600

SUBMITTALS

REV	DATE	DESCRIPTION	INITIALS
1	6/23/17	ADDED OPTION 2	TLLA

X-14







EXHIBIT X-15

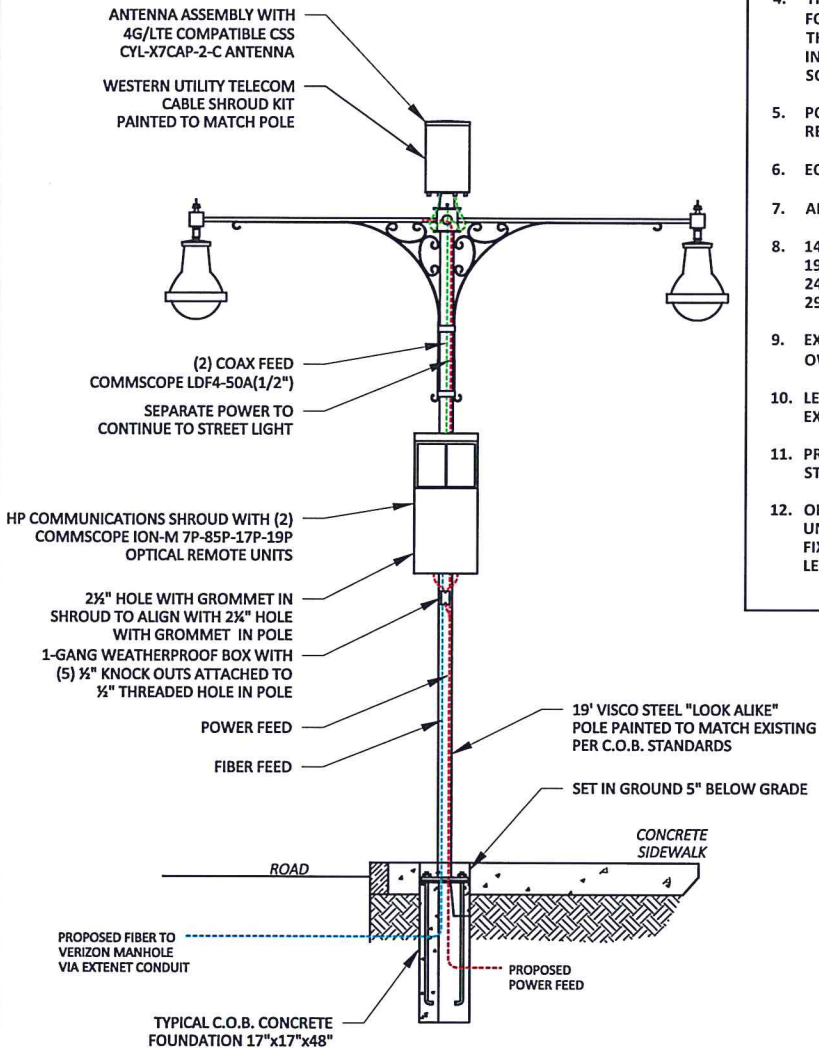
SCHEDULE OF APPROVED WIRELESS FACILITIES

<p align="center">Facility Number</p>	<p align="center">X-15 Double Pendant Light Pole with Pole Mounted Cabinet and Shrouded Antenna</p>
<p>Attachment Types <i>(check all that apply And provide detail below)</i></p>	<p><input checked="" type="checkbox"/> Replacement City Pole (streetlight) <input checked="" type="checkbox"/> Replacement City Property Pole (streetlight) <input type="checkbox"/> Attach to existing City Pole (streetlight) <input type="checkbox"/> Attach to existing City Property Pole (streetlight) <input type="checkbox"/> Attach to existing City Pole (traffic signal) <input type="checkbox"/> Attach to existing City Property Pole (traffic signal) <input type="checkbox"/> Attach to existing City Pole (street furniture) <input type="checkbox"/> Attach to existing City Property Pole (street furniture) <input type="checkbox"/> Attach to Non-City Pole</p>
<p>Attachment Type Detail</p>	<p><i>Standard dual pendant light pole (existing or replacement)</i></p>
<p>Physical Description</p>	<p><i>Mount antenna no more than 16" diameter and no more than 40" height for standard antenna. Option two for the antenna (not to exceed more than 16" diameter and no more than 40" height) will include a fiberglass enclosure painted to match pole and affixed to top of pole with tapered extension. Remote radiohead, power and fiber equipment mounted to Pole in stealth shroud and designed to match exterior pole.</i></p> <p><i>Pole Replacement information for all standard lightpoles</i></p> <ul style="list-style-type: none"> • <i>14' existing pole to be replaced with new pole with a max height of 16.8'</i> • <i>19' existing pole to be replaced with new pole with a max height of 22.8'</i> • <i>24' existing pole to be replaced with new pole with a max height of 28.8'</i> • <i>29' existing pole to be replaced with new pole with a max height of 34.8'</i>
<p>Concealment</p>	<p><i>Antenna contained within enclosure painted and tapered to match pole. Cables run inside pole. Remote radiohead, power and fiber equipment mounted to Pole within shroud.</i></p>

<p>Included Documents</p>	<p><i>The following documents:</i></p> <p>A. <i>For each Attachment Type listed or checked above, an engineering drawing of replacement pole or existing pole with attached equipment. The drawing must show the location on the pole where each component of the Wireless Facility is attached or enclosed. Drawings should depict any underground portion of the typical installation for that Attachment Type.</i></p> <p>B. <i>Photo showing an example of each Attachment Type listed or checked above.</i></p> <p>C. <i>Photo mockup of each Attachment Type listed or checked above showing the appearance after the Approved Wireless Facility is installed.</i></p> <p><i>Engineering drawings and photo attachments should reflect the dimensions and characteristics of a representative actual City Pole or City Property Pole of the type to which the Approved Wireless Facility design applies rather than generic examples.</i></p> <p><i>Where there is considerable variation among City Poles/City Property Poles of a particular type (e.g. traffic signals), drawings can show a typical installation, provided that equipment volumes and attachment locations will not vary significantly from one installation to the next in ways that are material to the City's interests.</i></p>
<p>RF Compliance Information</p>	<p>X Facility conforms to information already on file <input type="checkbox"/> information attached</p>
<p>Comments</p>	

NOTES:

1. ALL DISTANCES, DIMENSIONS, LOCATIONS, EQUIPMENT DESIGNATIONS AND SPECIFICATIONS ARE APPROXIMATE.
2. ALL MATERIAL, COLOR & STYLE WILL MATCH CURRENTLY EXISTING MATERIALS AND WHERE NEEDED ANY RF FRIENDLY MATERIAL WILL BE PAINTED TO MATCH.
3. IT IS ASSUMED THAT ALL PROPOSED UTILITIES WILL BE ROUTED BELOW GRADE TO THE PROPOSED INSTALLATION.
4. THE PURPOSE OF THE DESIGN SHOWN IS TO SHOW A CONCEPTUAL DESIGN FOR THE REPLACEMENT/MODIFICATIONS OF EXISTING LIGHT POLE. THEREFORE, THESE DESIGNS ARE INHERENTLY APPROXIMATE IN NATURE AND SHOULD NOT BE USED AS AN EXACT, SCALED ENGINEERING DRAWING.
5. POLE REPLACEMENT HEIGHTS WILL VARY BASED ON REQUIRED ANTENNA HEIGHTS REQUESTED BY EXTENET SYSTEMS.
6. EQUIPMENT CLOSURE TO BE NO LARGER THAN (53"Hx26"Wx26"D).
7. ANTENNA TO BE NO LARGER THAN 16"Øx40"H.
8. 14' EXISTING POLE TO BE REPLACED WITH NEW POLE WITH A MAX HEIGHT OF 16.8'
19' EXISTING POLE TO BE REPLACED WITH NEW POLE WITH A MAX HEIGHT OF 22.8'
24' EXISTING POLE TO BE REPLACED WITH NEW POLE WITH A MAX HEIGHT OF 28.8'
29' EXISTING POLE TO BE REPLACED WITH NEW POLE WITH A MAX HEIGHT OF 34.8'
9. EXTENET SYSTEMS WILL PLACE SMALL PLACARD ON POLE IDENTIFYING OWNERSHIP/CONTACT INFORMATION.
10. LED LIGHT & LUMINAIRE ARM WILL BE AT SAME HEIGHT AS EXISTING
11. PROPOSED LIGHTING WILL CONFORM TO THE CITY OF BOSTON'S LIGHTING STANDARDS.
12. ORNAMENTAL DECORATIVE FIXTURES WILL BE IDENTICAL TO THE EXISTING FIXTURE UNLESS THE EXISTING FEATURE IS A METAL HALIDE OR HIGH PRESSURE SODIUM FIXTURE. IN THESE SCENARIOS, THE FIXTURE WILL BE UPGRADED TO AN APPROVED LED FIXTURE.



ANTENNA OPTION 2

STANDARD DOUBLE PENDANT LIGHT POLE WITH POLE MOUNTED CABINET

SUBMITTALS

REV	DATE	DESCRIPTION	INITIALS
1	6/23/17	ADDED OPTION 2	TLLA

X-15



3030 WARRENVILLE RD
LISLE, IL 60532
(630) 505-3800
WWW.EXTENETSYSTEMS.COM



21 OXFORD RD
MANSFIELD, MA 02048
www.uc seng.com 1-508-337-7600

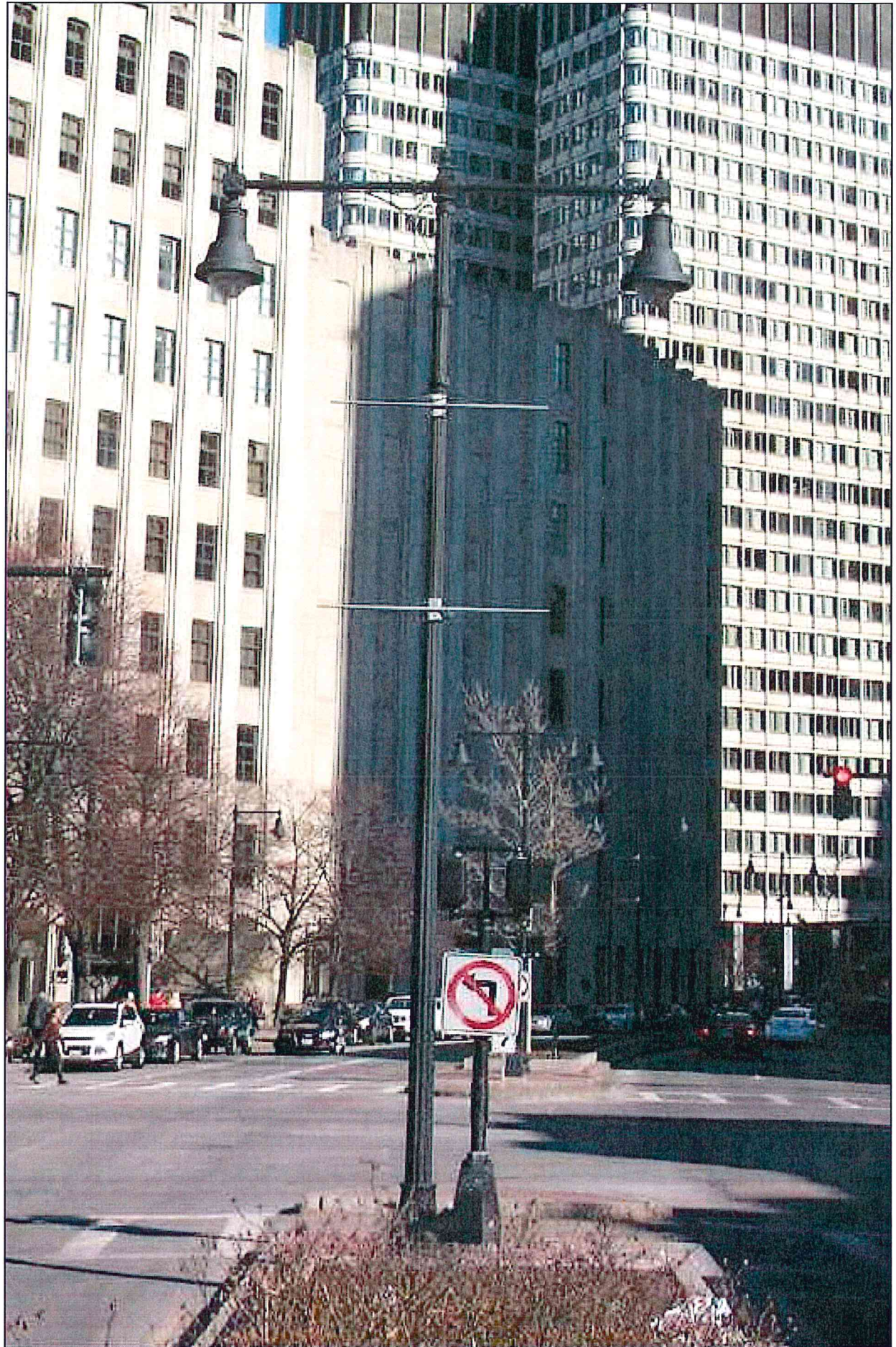




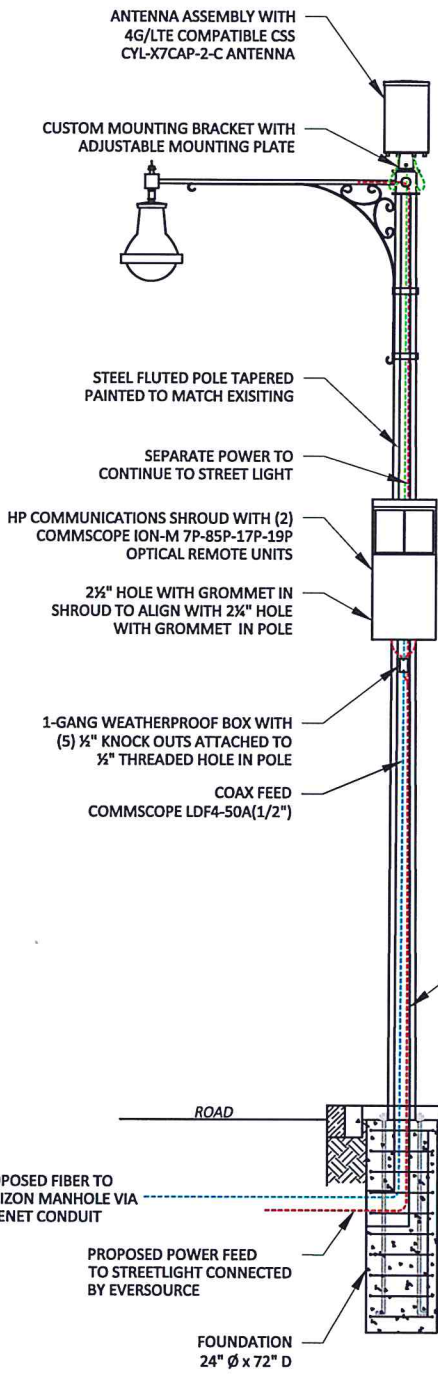


EXHIBIT X-16

SCHEDULE OF APPROVED WIRELESS FACILITIES

Facility Number	X-16 Pendant Light Pole with Side Mount
Attachment Types <i>(check all that apply And provide detail below)</i>	<input checked="" type="checkbox"/> Replacement City Pole (streetlight) <input checked="" type="checkbox"/> Replacement City Property Pole (streetlight) <input type="checkbox"/> Attach to existing City Pole (streetlight) <input type="checkbox"/> Attach to existing City Property Pole (streetlight) <input type="checkbox"/> Attach to existing City Pole (traffic signal) <input type="checkbox"/> Attach to existing City Property Pole (traffic signal) <input type="checkbox"/> Attach to existing City Pole (street furniture) <input type="checkbox"/> Attach to existing City Property Pole (street furniture) <input type="checkbox"/> Attach to Non-City Pole
Attachment Type Detail	<i>Standard Pendant light pole (existing or replacement)</i>
Physical Description	<p><i>Mount antenna no more than 16" diameter and no more than 40" height for standard antenna. Option two for the antenna (not to exceed more than 16" diameter and no more than 40" height) will include a fiberglass enclosure painted to match pole and affixed to top of pole with tapered extension. Remote radiohead, power and fiber equipment mounted to Pole within stealth shroud and will be painted to match exterior pole.</i></p> <p><i>Pole Replacement information for all standard lightpoles</i></p> <ul style="list-style-type: none"> <i>• 14' existing pole to be replaced with new pole with a max height of 16.8'</i> <i>• 19' existing pole to be replaced with new pole with a max height of 22.8'</i> <i>• 24' existing pole to be replaced with new pole with a max height of 28.8'</i> <i>• 29' existing pole to be replaced with new pole with a max height of 34.8'</i>
Concealment	<i>Antenna contained within enclosure painted and tapered to match pole. Cables run inside pole. Remote radiohead, power and fiber equipment mounted to Pole within stealth shroud.</i>

<p>Included Documents</p>	<p><i>The following documents:</i></p> <ul style="list-style-type: none"> <i>A. For each Attachment Type listed or checked above, an engineering drawing of replacement pole or existing pole with attached equipment. The drawing must show the location on the pole where each component of the Wireless Facility is attached or enclosed. Drawings should depict any underground portion of the typical installation for that Attachment Type.</i> <i>B. Photo showing an example of each Attachment Type listed or checked above.</i> <i>C. Photo mockup of each Attachment Type listed or checked above showing the appearance after the Approved Wireless Facility is installed.</i> <p><i>Engineering drawings and photo attachments should reflect the dimensions and characteristics of a representative actual City Pole or City Property Pole of the type to which the Approved Wireless Facility design applies rather than generic examples.</i></p> <p><i>Where there is considerable variation among City Poles/City Property Poles of a particular type (e.g. traffic signals), drawings can show a typical installation, provided that equipment volumes and attachment locations will not vary significantly from one installation to the next in ways that are material to the City's interests.</i></p>
<p>RF Compliance Information</p>	<p><i>X Facility conforms to information already on file <input type="checkbox"/> information attached</i></p>
<p>Comments</p>	



NOTES:

1. ALL DISTANCES, DIMENSIONS, LOCATIONS, EQUIPMENT DESIGNATIONS AND SPECIFICATIONS ARE APPROXIMATE.
2. ALL MATERIAL, COLOR & STYLE WILL MATCH CURRENTLY EXISTING MATERIALS AND WHERE NEEDED ANY RF FRIENDLY MATERIAL WILL BE PAINTED TO MATCH.
3. IT IS ASSUMED THAT ALL PROPOSED UTILITIES WILL BE ROUTED BELOW GRADE TO THE PROPOSED INSTALLATION.
4. THE PURPOSE OF THE DESIGN SHOWN IS TO SHOW A CONCEPTUAL DESIGN FOR THE REPLACEMENT/MODIFICATIONS OF EXISTING LIGHT POLE. THEREFORE, THESE DESIGNS ARE INHERENTLY APPROXIMATE IN NATURE AND SHOULD NOT BE USED AS AN EXACT, SCALED ENGINEERING DRAWING.
5. POLE REPLACEMENT HEIGHTS WILL VARY BASED ON REQUIRED ANTENNA HEIGHTS REQUESTED BY EXTENET SYSTEMS.
6. EQUIPMENT CLOSURE TO BE NO LARGER THAN (53"Hx26"Wx26"D).
7. ANTENNA TO BE NO LARGER THAN 16"Øx40"H.
8. 14' EXISTING POLE TO BE REPLACED WITH NEW POLE WITH A MAX HEIGHT OF 16.8'
19' EXISTING POLE TO BE REPLACED WITH NEW POLE WITH A MAX HEIGHT OF 22.8'
24' EXISTING POLE TO BE REPLACED WITH NEW POLE WITH A MAX HEIGHT OF 28.8'
29' EXISTING POLE TO BE REPLACED WITH NEW POLE WITH A MAX HEIGHT OF 34.8'
9. EXTENET SYSTEMS WILL PLACE SMALL PLACARD ON POLE IDENTIFYING OWNERSHIP/CONTACT INFORMATION.
10. LED LIGHT & LUMINAIRE ARM WILL BE AT SAME HEIGHT AS EXISTING
11. PROPOSED LIGHTING WILL CONFORM TO THE CITY OF BOSTON'S LIGHTING STANDARDS.
12. ORNAMENTAL DECORATIVE FIXTURES WILL BE IDENTICAL TO THE EXISTING FIXTURE UNLESS THE EXISTING FEATURE IS A METAL HALIDE OR HIGH PRESSURE SODIUM FIXTURE. IN THESE SCENARIOS, THE FIXTURE WILL BE UPGRADED TO AN APPROVED LED FIXTURE.



ANTENNA OPTION 2

PENDANT LIGHT POLE WITH POLE MOUNTED CABINET

extenet YOUR NETWORK EVERYWHERE.
SYSTEMS

3030 WARRENVILLE RD
LISLE, IL 60532
(630) 505-3800
WWW.EXTENETSYSTEMS.COM

UC SYNERGETIC
Innovative Thinking. Engineered Solutions.
21 OXFORD RD
MANSFIELD, MA 02048
www.ucseng.com 1-508-337-7600

SUBMITTALS

REV	DATE	DESCRIPTION	INITIALS
1	6/23/17	ADDED OPTION 2	TLLA

X-16

